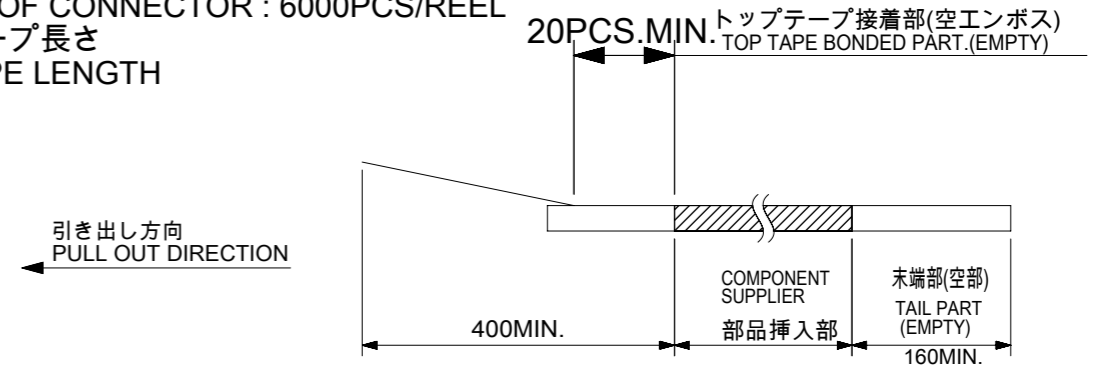
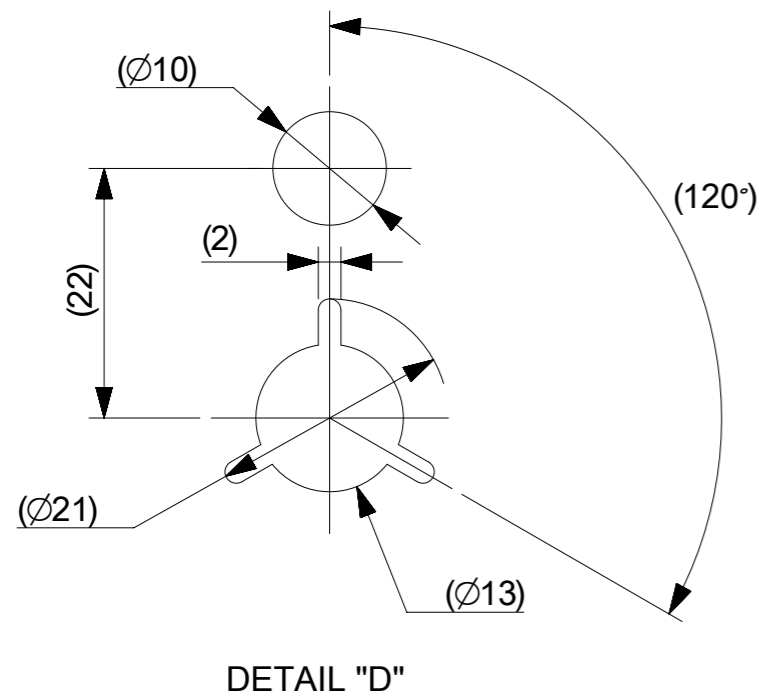


NOTES:

1. 詳細寸法については製品単体図面を参照ください。
RE DETAILED DIMENSION, SEE SALES DRAWING FOR CONNECTOR
2. 梱包数量 : 6000個/リール
NUMBER OF CONNECTOR : 6000PCS/REEL
3. リードテープ長さ
LEAD TAPE LENGTH

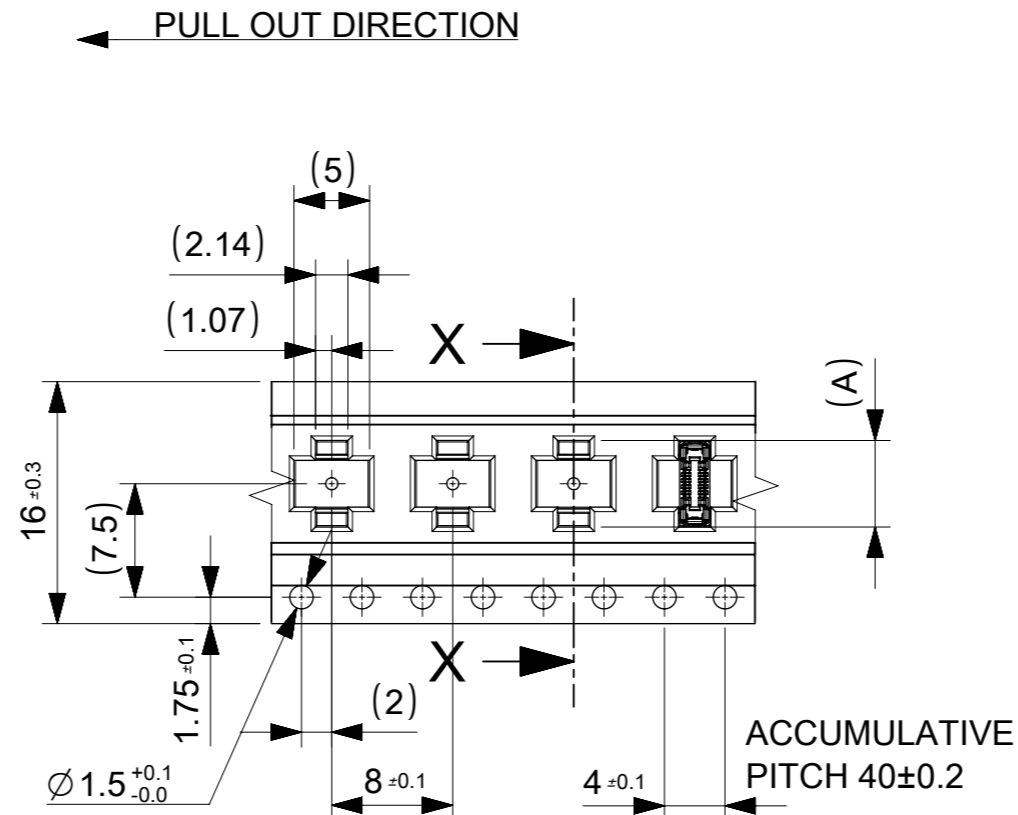
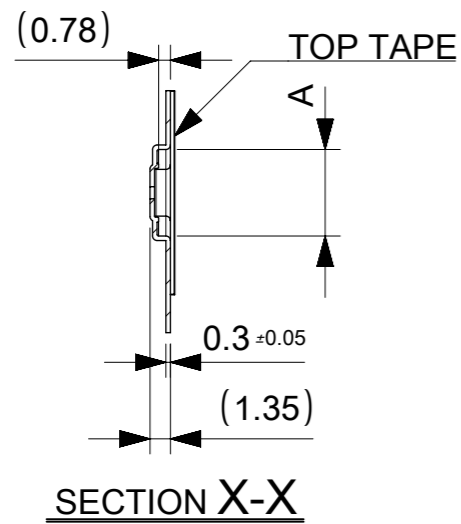


4. トップテープ剥離強度はIEC60286-3.準拠
PEEL-OFF FORCE OF TOP TAPE : BASED UPON IEC60286-3.
5. MATERIAL
CARRIER TAPE : POLYSTYREN(PS)
TOP TAPE : PET , OHTER
REEL : POLYSTYREN (PS) [RECYCLE MATERIAL CONTAINED]
6. ELV AND RoHS COMPLIANT



MODEL NO. 505473**10

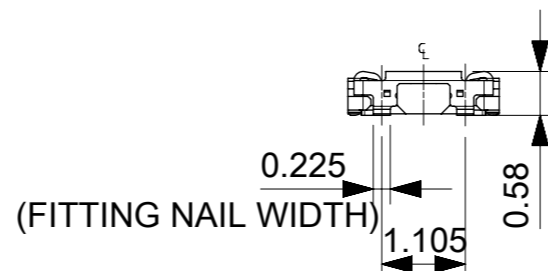
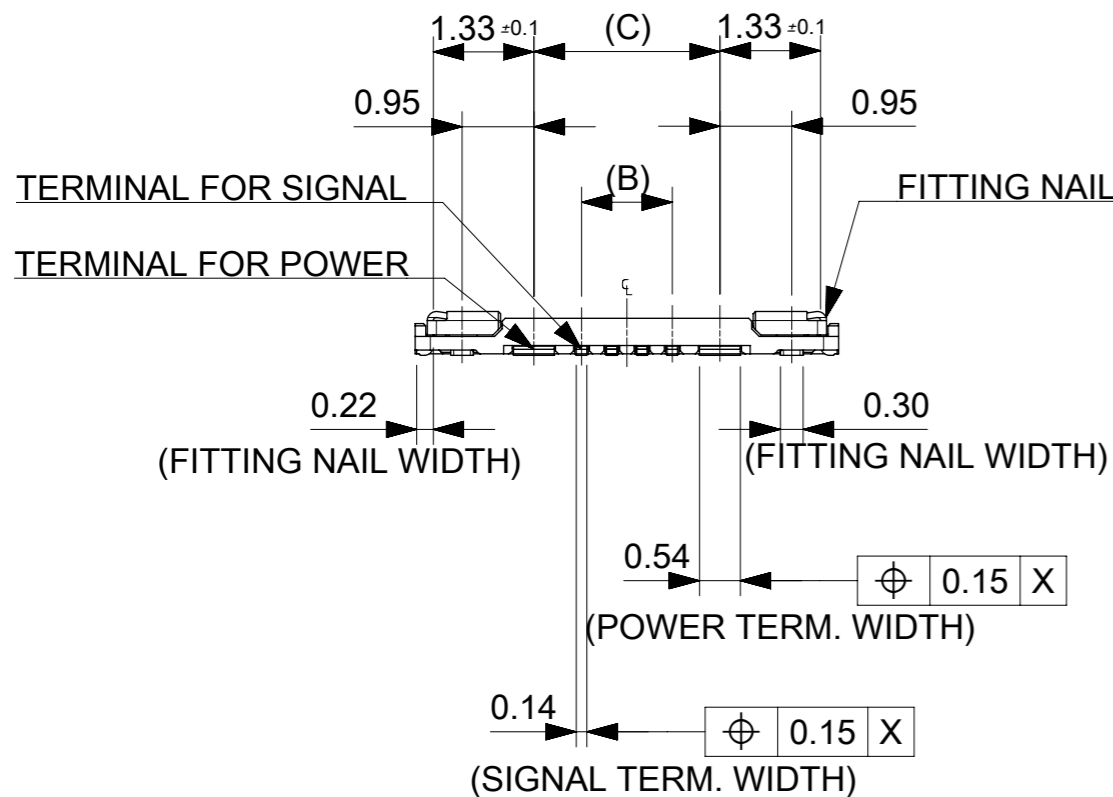
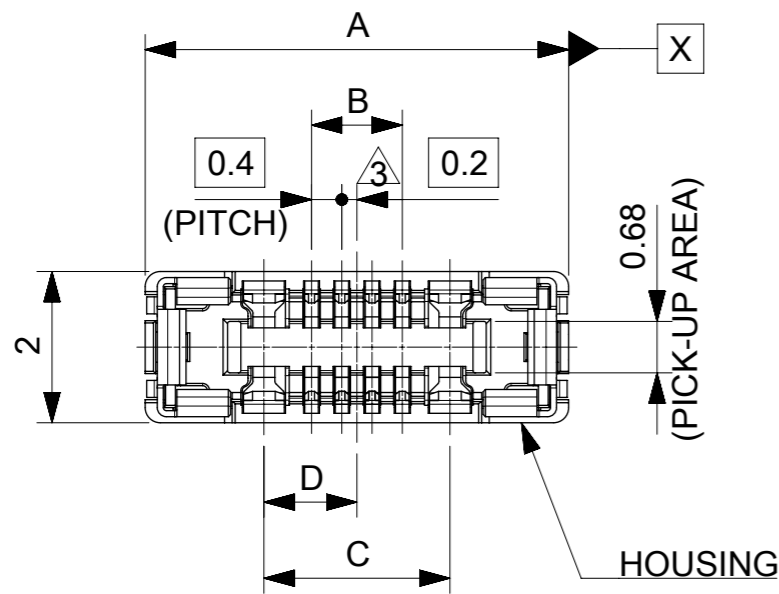
THIS DRAWING CONTAINS INFORMATION THAT IS PROPRIETARY TO MOLEX INCORPORATED AND SHOULD NOT BE USED WITHOUT WRITTEN PERMISSION										
EC DESCRIPTION EC NO: 101345 DRWN: GMATSUNO CHK'D: KMORIKAWA APPR: KMORIKAWA	GENERAL TOLERANCES (UNLESS SPECIFIED)			DIMENSION UNITS	SCALE	molex				
	ANGULAR TOL ± 3.0 °			mm	1:5					
	4 PLACES ± 0.03	DRWN BY		DATE		0.4 BB CONN. RB REC. ASSY EMBSTP PKG				
	3 PLACES ± 0.03	GMATSUNO		2015/08/20						
	2 PLACES ± 0.05	CHK'D BY		DATE		PRODUCT CUSTOMER DRAWING				
1 PLACE ± 0.1	KTANAKA03									
0 PLACES ± 0.2	APPR BY		DATE		SERIES	MATERIAL NUMBER	CUSTOMER			
DRAFT WHERE APPLICABLE MUST REMAIN WITHIN DIMENSIONS		KMORIKAWA		2015/10/13		505473	SEE CHART	GENERAL		
A3		DRAWING SIZE		THIRD ANGLE PROJECTION		DOCUMENT NUMBER		DOC TYPE	DOC PART	SHEET NUMBER
						5054730000		PSD	000	1 OF 2



16	5.72	4	8	5054731210	---	---	12
	5.32	4	6	5054731010	○	---	10
	4.92	4	4	5054730810	○	---	8
キャリアテープ幅 CARRIER TAPE WIDTH	A	FOR POWER	FOR SIGNAL	EMBOSSED TAPE PACKAGE	HIGH VOL. TOOL	LOW VOL. TOOL	CIRCUIT
		USAGE		ORDER NO.	SAMPLE PREPARATION ○: TOOLED △: WORK IN PROCESS ---: TOOLING TO BE CONFIRMED		

THIS DRAWING CONTAINS INFORMATION THAT IS PROPRIETARY TO MOLEX INCORPORATED AND SHOULD NOT BE USED WITHOUT WRITTEN PERMISSION

EC NO: 101345 DRWN: GMATSUNO CHK'D: KMORIKAWA APPR: KMORIKAWA	2015/08/20	GENERAL TOLERANCES (UNLESS SPECIFIED)		DIMENSION UNITS	SCALE				
	2015/10/13	ANGULAR TOL ± 3.0 °		mm	2:1				
		4 PLACES ± 0.03	DRWN BY		DATE		0.4 BB CONN. RB REC. ASSY EMBSTP PKG		
		3 PLACES ± 0.03	GMATSUNO		2015/08/20				
		2 PLACES ± 0.05	CHK'D BY		DATE		PRODUCT CUSTOMER DRAWING		
	1 PLACE ± 0.1	KTANAKA03							
	0 PLACES ± 0.2	APPR BY		DATE					
		DRAFT WHERE APPLICABLE MUST REMAIN WITHIN DIMENSIONS		DRAWING SIZE	THIRD ANGLE PROJECTION	SERIES	MATERIAL NUMBER	CUSTOMER	
A	REV			A3		505473	SEE CHART	GENERAL	
						DOCUMENT NUMBER	DOC TYPE	DOC PART	SHEET NUMBER
						5054730000	PSD	000	2 OF 2



NOTES

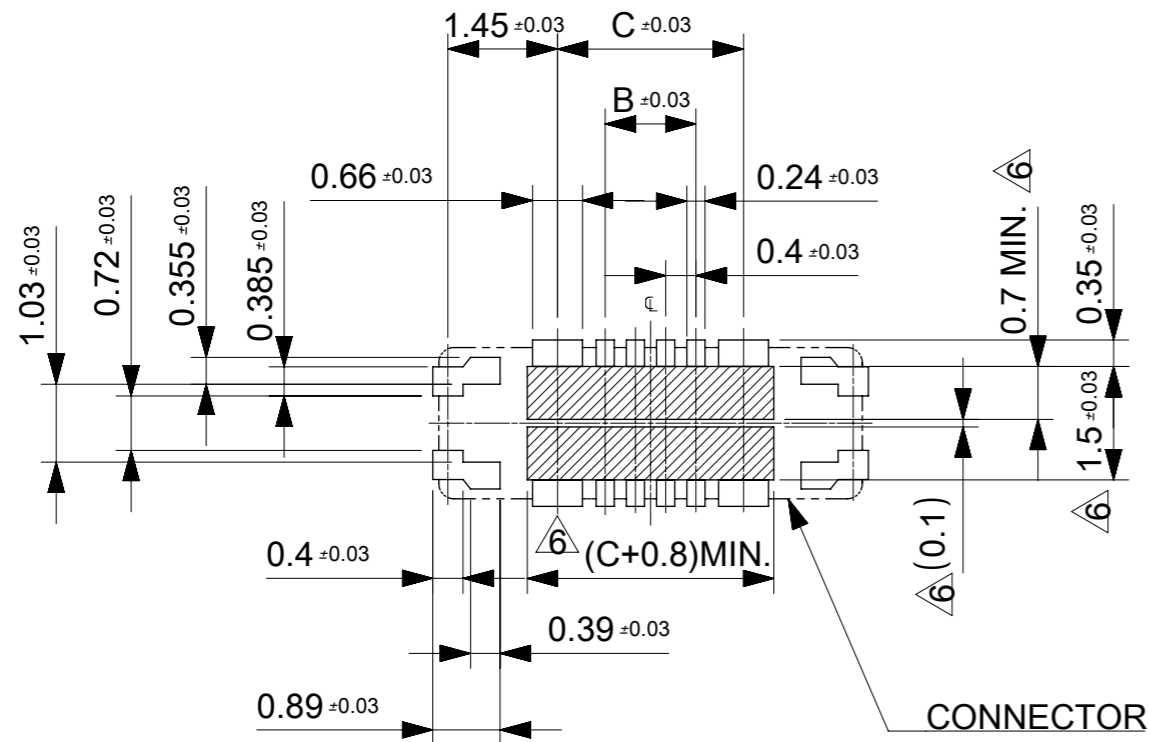
- MATERIAL**
 HOUSING : LIQUID CRYSTAL POLYMER UL94V-0(COLOR : BLACK)
 TERMINAL FOR SIGNAL CIRCUIT : COPPER ALLOY
 TERMINAL FOR POWER CIRCUIT : COPPER ALLOY
 FITTING NAIL : COPPER ALLOY
- PLATING**
 TERMINAL FOR SIGNAL AND POWER CIRCUIT:
 GOLD
 UNDER PLATING : NICKEL
 *DIVIDE INTO PARTS THE GOLD PLATING OF THE CONTACT AND THE TAIL PART BY THE NICKEL PLATING.
 FITTING NAIL:
 GOLD(SOLDER TAIL)
 UNDER PLATING : NICKEL
- △ APPLY FOR (CIRCUIT/2)=EVEN.
- MATE WITH:505476 SERIES.
- TAIL AND FITTING NAIL COPLANARITY TO BE 0.08 MAXIMUM.
- △ PROHIBITED AREA OF PATTERN WIRING AND SOLDER.
 (FOR EACH AREA, THE WIRING THAT TOUCHES ON THE SOLDER CAN BE ATTACHED, THEN COVERED WITH A FILM TO KEEP SOLDER OUT.)
- ELV and RoHS COMPLIANT.

1.23	2.46	1.2	5.6	4	8	5054731210	---	---	12
1.03	2.06	0.8	5.2	4	6	5054731010	○	---	10
0.83	1.66	0.4	4.8	4	4	5054730810	○	---	8
D	C	B	A	FOR POWER	FOR SIGNAL	EMBOSSED TAPE PACKAGE	HIGH VOL. TOOL	LOW VOL. TOOL	CIRCUIT
USAGE						ORDER NO.	SAMPLE PREPARATION ○ : TOOLED △ : WORK IN PROCESS ---: TOOLING TO BE CONFIRMED		

CONNECTOR SERIES No. : 505473**09

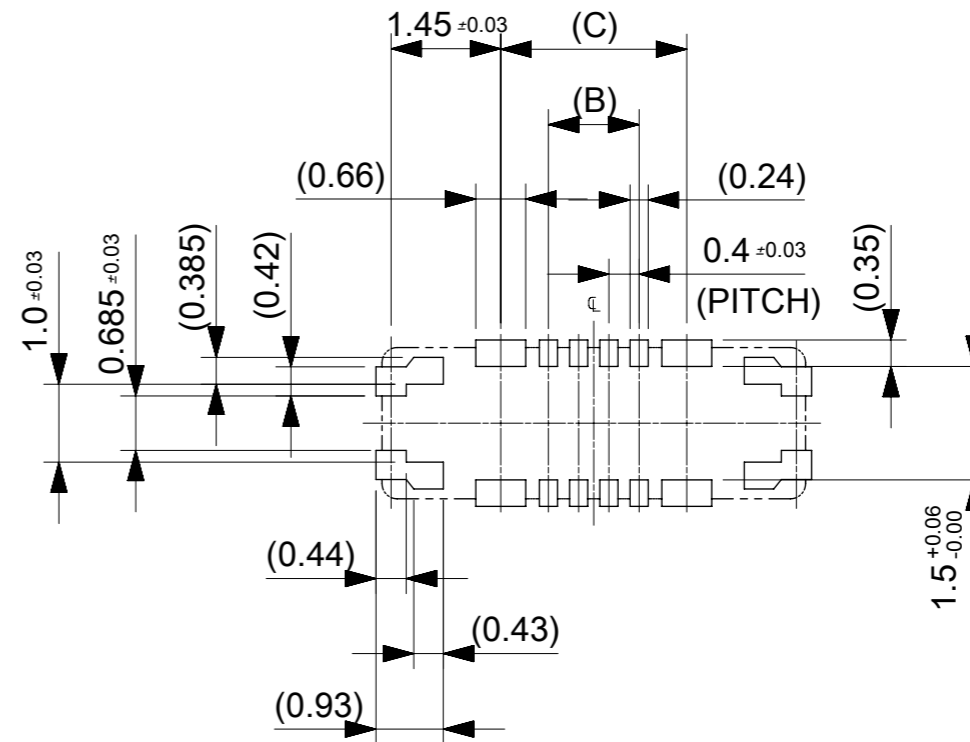
THIS DRAWING CONTAINS INFORMATION THAT IS PROPRIETARY TO MOLEX INCORPORATED AND SHOULD NOT BE USED WITHOUT WRITTEN PERMISSION

EC NO: 101345 DRWN: GMATSUNO CHK'D: KMORIKAWA APPR: KMORIKAWA	2015/07/16 2015/10/13	GENERAL TOLERANCES (UNLESS SPECIFIED) ANGULAR TOL ± 3.0 °	DIMENSION UNITS: mm SCALE: 10:1		
	4 PLACES ± 0.03 3 PLACES ± 0.03 2 PLACES ± 0.05 1 PLACE ± 0.1 0 PLACES ± 0.2	DRWN BY: GMATSUNO DATE: 2015/07/16	CHK'D BY: KTANAKA03 DATE:		PRODUCT CUSTOMER DRAWING
	DRAFT WHERE APPLICABLE MUST REMAIN WITHIN DIMENSIONS	APPR BY: KMORIKAWA DATE: 2015/10/13	DRAWING SIZE: A3 THIRD ANGLE PROJECTION		
	A	REV:	DRAFT WHERE APPLICABLE MUST REMAIN WITHIN DIMENSIONS		DIMENSION UNITS: mm SCALE: 10:1



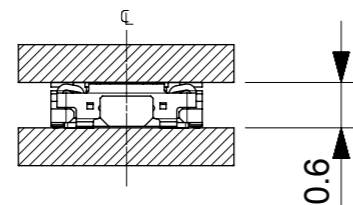
RECOMMENDED P.W.BOARD PATTERN LAYOUT (REFERENCE)

⚠ PROHIBITED AREA OF PATTERN WIRING AND SOLDER.
 (FOR EACH AREA, THE WIRING THAT TOUCHES ON THE SOLDER CAN BE ATTACHED, THEN COVERED WITH A FILM TO KEEP SOLDER OUT.)



RECOMMENDED METAL MASK LAYOUT (REFERENCE)

RECOMMENDED THICKNESS OF METAL MASK : t=0.08mm
 RECOMMENDED OPEN APERTURE RATIO OF METAL MASK :TAIL 100% , NAIL120%



MATED CONDITION

THIS DRAWING CONTAINS INFORMATION THAT IS PROPRIETARY TO MOLEX INCORPORATED AND SHOULD NOT BE USED WITHOUT WRITTEN PERMISSION

EC NO: 101345 DRWN: GMATSUNO CHK'D: KMORIKAWA APPR: KMORIKAWA	2015/07/16 2015/10/13 2015/10/13	GENERAL TOLERANCES (UNLESS SPECIFIED) ANGULAR TOL ± 3.0 ° 4 PLACES ± 0.03 3 PLACES ± 0.03 2 PLACES ± 0.05 1 PLACE ± 0.1 0 PLACES ± 0.2	DIMENSION UNITS: mm SCALE: 10:1				
	DRWN BY: GMATSUNO DATE: 2015/07/16		CHK'D BY: KTANAKA03 DATE:				
	APPR BY: KMORIKAWA DATE: 2015/10/13		DRAFT WHERE APPLICABLE MUST REMAIN WITHIN DIMENSIONS		PRODUCT CUSTOMER DRAWING		
	DRAWING SIZE: A3 THIRD ANGLE PROJECTION		SERIES: 505473 MATERIAL NUMBER: SEE CHART CUSTOMER: GENERAL		DOCUMENT NUMBER: 5054731000 DOC TYPE: PSD DOC PART: 000 SHEET NUMBER: 2 OF 2		
	EC DESCRIPTION: 0.4 BB CONN.H=0.6 RB REC ASSY		DIMENSION UNITS: mm SCALE: 10:1		PRODUCT CUSTOMER DRAWING		