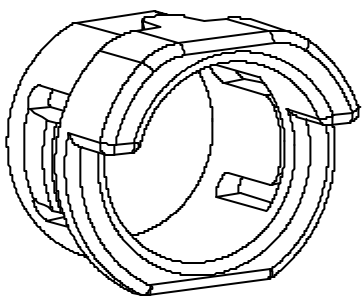
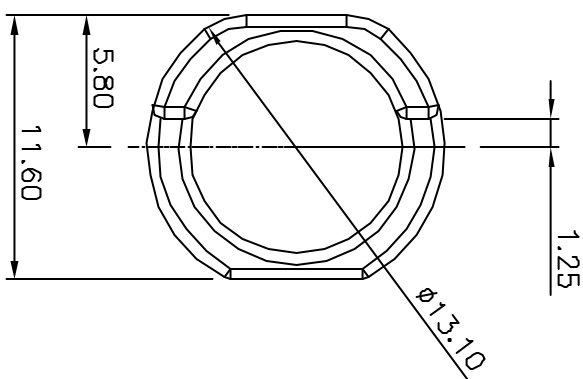
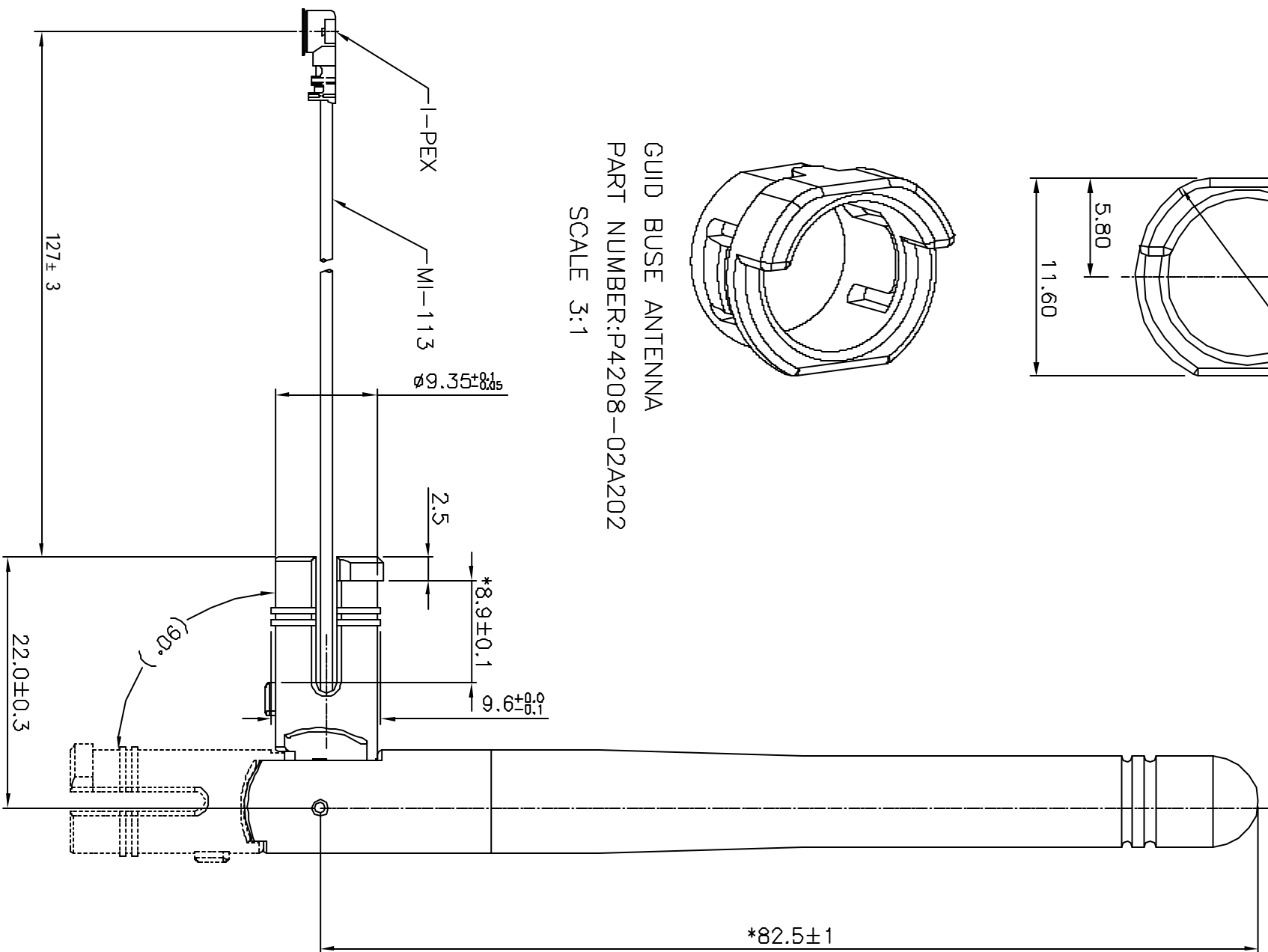


REVISION RECORD				
REV	ECC	DESCRIPTION	DRFT	CHKD



GUID BUSE ANTENNA
PART NUMBER:P4208-02A202
SCALE 3:1



NOTE:

ELECTRICAL PROPERTIES

- 1.DESCRPTION : 1/4λ SWVEL TYPE DIPOLE ANTENNA
 φ9.3x82.5+MI-113+I-PEX
- 2.FREQUENCY : 2400~2500MHZ
- 3.IMPEDANCE : 50 Ohms nominal
- 4.V.S.W.R. : 2.0 max. IN BAND
- 5.GAIN : 1.14~2.14dbi, VERTICAL DIRECTION
- 6.ADMITTED POWER RADLATION : 1W
- 7.TYPE OF RADLATION : TOROIDAL
- 8.POLARIZATION : VERTICAL
- 9.ELECTRICAL LENGTH : 1/4 λ,DIPOLE
- 10.RADIATION : 0 mni

MECHANICAL PROPERTIES

- 1.CABLE : MI-113, 50ohm
- 2.OPERATING TEMPERATURE RANGE : -20°C~+70°C
- 3.STORAGE TEMPERATURE RANGE : -20°C~+70°C
- 4.ANTENNA COVER : TPE
- 5.ANTENNA BASE :PBT+PC
- 6.COLOR : BLACK

PART NUMBER : E421G-241270101

PS:BAG LABEL:A24-HABUF-P5I

DETACHED LISTS			
MM	DATE	10/26/05	
TOLERANCES EXCEPT AS NOTED	CHKD	DATE	
.0 ± 0.15	MPD	DATE	
.00 ± 0.075	APPL	DATE	
.000 ± 0.05	MATERIAL :		
ANGLES ± 0.5	QTY :		
THIRD ANGLE PROJECTION	FINISH :		
	SCALE : 2:1		
TITLE		FULL RISE ELECTRONIC CO., LTD	
ANTENNA 2.4G (two rings)+CABLE		DRAWING NO. GE423C82	
		/PART NO. SEE NOTE	
		DO NOT SCALE DRAWING	
		SIZE	REV
		A3	0
		SHEET	1 OF 1

8 7 6 5 4 3 2 1