

Microprocessor-Compatible Sampling CMOS ANALOG-TO-DIGITAL CONVERTER

FEATURES

- Drop-In Replacement for the [ADS774](#)
- Complete Sampling ADC with Reference, Clock, and Microprocessor Interface
- Fast Acquisition and Conversion: 8.5µs Max Over Temperature
- Eliminates External Sample/Hold in Most Applications
- Ensured AC and DC Performance
- Single +5V Supply Operation
- Low Power: 120mW Max
- Package Options: SO, 0.6in and 0.3in DIPs⁽¹⁾

APPLICATIONS

- Medical Instrumentation
- Data Acquisition Systems
- Robotics
- Industrial Control
- Test Equipment
- Digital Signal Processing
- DSP Servo Control

DESCRIPTION

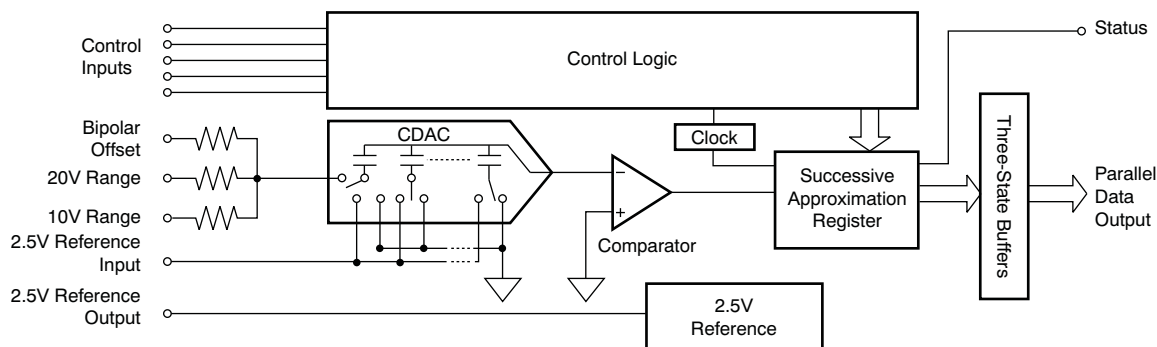
The ADS774H is a 12-bit, successive-approximation analog-to-digital converter (ADC) that uses an innovative capacitor array (CDAC) implemented in low-power CMOS technology. This device is a drop-in replacement for the [ADS774](#), with internal sampling, much lower power consumption, and the ability to operate from a single +5V supply.

The ADS774H is complete with an internal clock, microprocessor interface, three-state outputs, and internal scaling resistors for input ranges of 0V to +10V, 0V to +20V, ±5V, or ±10V. The maximum throughput time is 8.5µs over the full operating temperature range, including both acquisition and conversion.

Complete user control over the internal sampling function facilitates elimination of external sample/hold amplifiers in most existing designs.

The ADS774H requires +5V, with –15V optional. No +15V supply is required. Packages include a 28-pin SO, and 0.3in-wide or 0.6in-wide 28-pin DIPs⁽¹⁾.

(1) DIP-28 package is product preview.



Please be aware that an important notice concerning availability, standard warranty, and use in critical applications of Texas Instruments semiconductor products and disclaimers thereto appears at the end of this data sheet.

All trademarks are the property of their respective owners.



This integrated circuit can be damaged by ESD. Texas Instruments recommends that all integrated circuits be handled with appropriate precautions. Failure to observe proper handling and installation procedures can cause damage.

ESD damage can range from subtle performance degradation to complete device failure. Precision integrated circuits may be more susceptible to damage because very small parametric changes could cause the device not to meet its published specifications.

PACKAGE/ORDERING INFORMATION⁽¹⁾

PRODUCT	SINAD ⁽²⁾	LINEARITY ERROR	PACKAGE-LEAD	PACKAGE DESIGNATOR	SPECIFIED TEMPERATURE RANGE	ORDERING NUMBER	TRANSPORT MEDIA, QUANTITY
ADS774HIB (High-Grade)	70dB	±1/2 LSB	DIP-28 ⁽³⁾	NT	–40°C to +85°C	ADS774HIBNT	Rail, 13
				NTD	–40°C to +85°C	ADS774HIBNTD	Rail, 13
	70dB	±1/2 LSB	SO-28	DW	–40°C to +85°C	ADS774HIBDW	Tape and Reel, 28
						ADS774HIBEDWR	Tape and Reel, 1000
ADS774HI (Standard-Grade)	68dB	±1LSB	DIP-28 ⁽³⁾	NT	–40°C to +85°C	ADS774HINTD	Rail, 13
				NTD	–40°C to +85°C	ADS774HINT	Rail, 13
	68dB	±1LSB	SO-28	DW	–40°C to +85°C	ADS774HIDW	Tape and Reel, 28
						ADS774HIDWR	Tape and Reel, 1000

- (1) For the most current package and ordering information, see the Package Option Addendum at the end of this document, or see the TI web site at www.ti.com.
- (2) SINAD is Signal-to-(Noise + Distortion) expressed in dB.
- (3) DIP-28 package is product preview.

ABSOLUTE MAXIMUM RATINGS⁽¹⁾

Over operating free-air temperature range (unless otherwise noted).

	ADS774H	UNIT
V _{EE} to Digital Common	+V _{DD} to –16.5	V
V _{DD} to Digital Common	0 to +7	V
Analog Common to Digital Common	±1	V
Control inputs (CE, \overline{CS} , A ₀ , 12/8, R/ \overline{C}) to Digital Common	–0.5 to V _{DD} +0.5	V
Analog inputs (REF IN, Bipolar Offset, 10V Range) to Analog Common	±16.5	V
20V Range to Analog Common	±24	V
Ref Out	Indefinite short to common, momentary short to V _{DD}	
Maximum junction temperature	+165	°C
Power dissipation	1000	mW
Lead temperature (soldering, 10s)	+300	°C
Thermal impedance, θ_{JA}	DIP-28	100
	SO-28	
		°C/W

- (1) Stresses beyond those listed under *Absolute Maximum Ratings* may cause permanent damage to the device. These are stress ratings only, and functional operation of the device at these or any other conditions beyond those indicated is not implied. Exposure to absolute-maximum-rated conditions for extended periods may affect device reliability.

ELECTRICAL CHARACTERISTICS

All specifications at $T_A = T_{MIN}$ to T_{MAX} , $V_{DD} = +5V$, $V_{EE} = -15V$ to $+5V$, sampling frequency of 117kHz, and $f_{IN} = 10kHz$, unless otherwise noted.

PARAMETER	CONDITIONS	ADS774HI			ADS774HIB ⁽¹⁾			UNIT
		MIN	TYP	MAX	MIN	TYP	MAX	
SYSTEM PERFORMANCE								
Resolution				12			12	Bits
ANALOG INPUTS								
Voltage range	Unipolar	0 to +10, 0 to +20			0 to +10, 0 to +20			V
	Bipolar	±5, ±10			±5, ±10			V
Impedance	0V to +10V, ±5V	8.5	12		8.5	12		kΩ
	±10V, 0V to +20V	35	50		35	50		kΩ
DIGITAL INPUTS (CE, \overline{CS}, R/\overline{C}, A₀, 12/\overline{B})								
Voltages	Logic 1	+2.0		+5.5	+2.0		+5.5	V
	Logic 0	-0.5		+0.8	-0.5		+0.8	V
Current		-5	0.1	+5	-5	0.1	+5	μA
Capacitance			5			5		pF
DC ACCURACY								
Linearity error	At +25°C			±1			±1/2	LSB
	T_{MIN} to T_{MAX} ⁽²⁾			±1			±1/2	LSB
Unipolar offset error	At +25°C (adjustable to zero)			±2			±2	LSB
Unipolar offset	T_{MIN} to T_{MAX} ⁽²⁾			±4			±3	LSB
Bipolar offset error	At +25°C (adjustable to zero)			±10			±4	LSB
Bipolar offset	T_{MIN} to T_{MAX} ⁽²⁾			±12			±5	LSB
Full-scale calibration error ⁽³⁾	At +25°C (adjustable to zero)			±0.25			±0.25	% of FS ⁽⁴⁾
	T_{MIN} to T_{MAX} ⁽²⁾			±0.47			±0.37	% of FS
No missing codes resolution	At +25°C	12			12			Bits
	T_{MIN} to T_{MAX} ⁽²⁾	12			12			Bits
AC ACCURACY⁽⁵⁾								
Spurious free dynamic range		73	78		76	78		dB
Total harmonic distortion			-77	-72		-77	-75	dB
Signal-to-noise ratio		69	72		71	72		dB
Signal-to-(noise + distortion) ratio		68	71		70	71		dB
Intermodulation distortion	$f_{IN1} = 20kHz$, $f_{IN2} = 23kHz$		-75			-75		dB
TEMPERATURE COEFFICIENTS⁽⁶⁾								
Unipolar offset			±1			±1		ppm/°C
Bipolar offset			±2			±2		ppm/°C
Full-scale calibration			±12			±12		ppm/°C
POWER-SUPPLY SENSITIVITY								
Change in full-scale calibration ⁽⁷⁾	+4.75V < V_{DD} < +5.25V			±1/2			±1/2	LSB
CONVERSION TIME (Including Acquisition Time)								
$t_{AQ} + t_C$ at +25°C	8-bit cycle		5.5	5.9		5.5	5.9	μs
	12-bit cycle		7.5	8		7.5	8	μs
12-bit cycle, T_{MIN} to T_{MAX}			8	8.5		8	8.5	μs

(1) **Shaded cells** indicate different specifications from standard grade version of device.

(2) Maximum error at T_{MIN} and T_{MAX} .

(3) With fixed 50Ω resistor from REF OUT to REF IN. This parameter is also adjustable to zero at +25°C.

(4) FS in this parametric table means *Full-Scale Range*. That is, for a ±10V input range, FS = 20V; for a 0V to +10V range, FS = 10V.

(5) Based on $V_{EE} = +5V$, which is the Control Mode; see the *S/H Control Mode and ADC774 Emulation Mode* section.

(6) Using internal reference.

(7) This parameter is the worst-case change in accuracy from accuracy with a +5V supply.

ELECTRICAL CHARACTERISTICS (continued)

All specifications at $T_A = T_{MIN}$ to T_{MAX} , $V_{DD} = +5V$, $V_{EE} = -15V$ to $+5V$, sampling frequency of 117kHz, and $f_{IN} = 10kHz$, unless otherwise noted.

PARAMETER	CONDITIONS	ADS774HI			ADS774HIB ⁽¹⁾			UNIT
		MIN	TYP	MAX	MIN	TYP	MAX	
SAMPLING DYNAMICS								
Sampling rate	At +25°C	125			125			kHz
	T_{MIN} to T_{MAX}	117			117			kHz
Aperture delay, t_{AP}	with $V_{EE} = +5V$	20			20			ns
	with $V_{EE} = 0V$ to $-15V$	1.6			1.6			μs
Aperture uncertainty (jitter)	with $V_{EE} = +5V$	300			300			ps RMS
	with $V_{EE} = 0V$ to $-15V$	10			10			ns RMS
Settling time to 0.01% for full-scale input change		1.4			1.4			μs
DIGITAL OUTPUTS (DB₁₁ to DB₀, STATUS)								
Output codes	Unipolar	Unipolar straight binary (USB)			Unipolar straight binary (USB)			
	Bipolar	Bipolar offset binary (BOB)			Bipolar offset binary (BOB)			
Logic levels	Logic 0 ($I_{SINK} = 1.6mA$)	+0.4			+0.4			V
	Logic 1 ($I_{SOURCE} = 500μA$)	+2.4			+2.4			V
Leakage, data bits only, high-Z state		-5	0.1	+5	-5	0.1	+5	μA
Capacitance		5			5			pF
INTERNAL REFERENCE VOLTAGE								
Voltage		+2.4	+2.5	+2.6	+2.4	+2.5	+2.6	V
Source current available for external loads		0.5			0.5			mA
POWER-SUPPLY REQUIREMENTS								
Voltage	$V_{EE}^{(8)}$	-16.5			V_{DD}			V
	V_{DD}	+4.5			+5.5			V
Current	$I_{EE}^{(8)}$	$V_{EE} = -15V$			-1			mA
	I_{DD}				+15			+24
Power dissipation, t_{MIN} to t_{MAX}	$V_{EE} = 0V$ to $+5V$	75			120			mW
TEMPERATURE RANGE								
Specified		-40			+85			°C
Operating		-40			+85			°C
Storage		-65			+150			°C

(8) V_{EE} is optional, and is only used to set the mode for the internal sample/hold. When $V_{EE} = -15V$, $I_{EE} = -1mA$ typ; when $V_{EE} = 0V$, $I_{EE} = ±5mA$ typ; when $V_{EE} = +5V$, $I_{EE} = +167mA$ typ.

TIMING DIAGRAMS

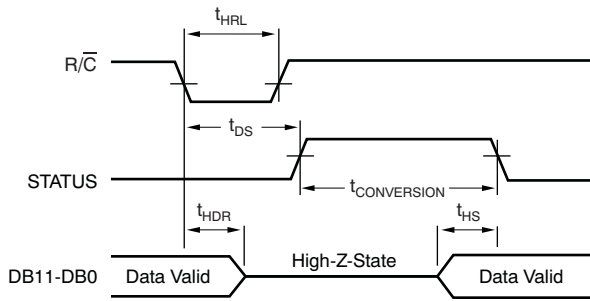


Figure 1. R/C Pulse Low: Outputs Enabled After Conversion

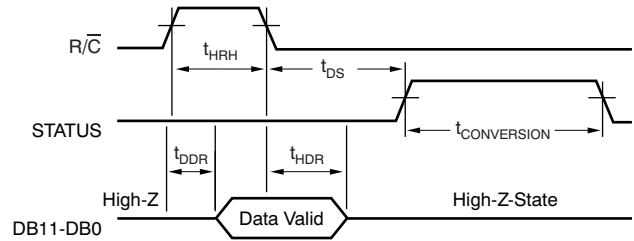
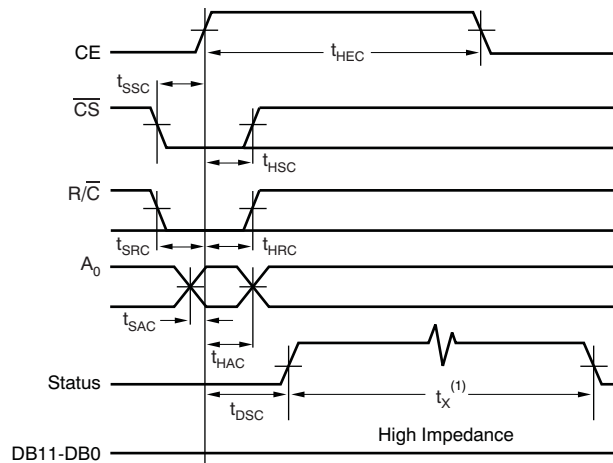


Figure 2. R/C Pulse High: Outputs Enabled Only when R/C is High



NOTE (1): t_x includes t_{A0} and t_c in ADC774 Emulation Mode, t_c only in S/H Control Mode.

Figure 3. Conversion Cycle Timing

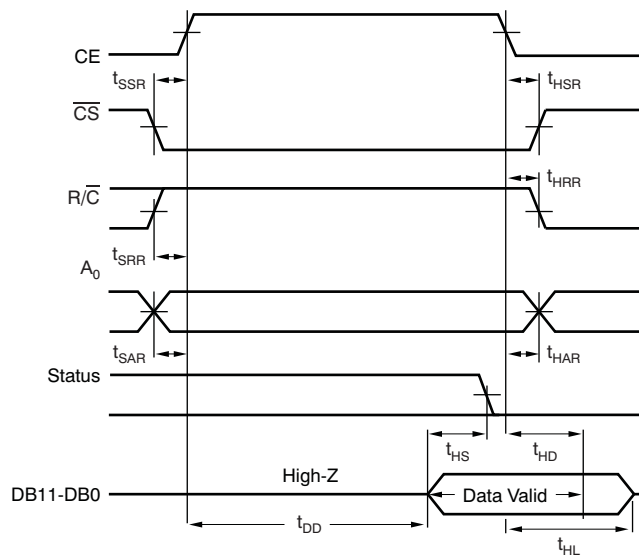


Figure 4. Read Cycle Timing

TIMING REQUIREMENTS: Stand-Alone Mode

SYMBOL	PARAMETER	ADS774H			UNIT
		MIN	TYP	MAX	
t _{HRL}	Low R/C pulse width	25			ns
t _{DS}	STS delay from R/C			200	ns
t _{HDR}	Data valid After R/C low	25			ns
t _{HRH}	High R/C pulse width	100			ns
t _{DDR}	Data access time			150	ns

TIMING REQUIREMENTS: Fully-Controlled Operation (Convert Mode)

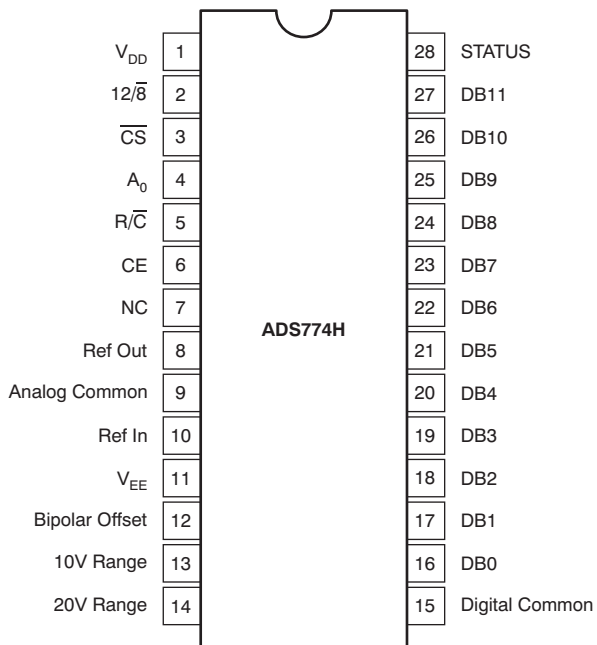
SYMBOL	PARAMETER	ADS774H			UNIT
		MIN	TYP	MAX	
t _{DSC}	STS delay from CE		60	200	ns
t _{HEC}	CE pulse width	50	30		ns
t _{SSC}	C _S to CE setup	50	20		ns
t _{HSC}	C _S low during CE high	50	20		ns
t _{SRC}	R/C to CE setup	50	0		ns
t _{HRC}	R/C low during CE high	50	20		ns
t _{SAC}	A ₀ to CE setup	0			ns
t _{HAC}	A ₀ valid during CE high	50	20		ns

TIMING REQUIREMENTS: Fully-Controlled Operation (Read Mode)

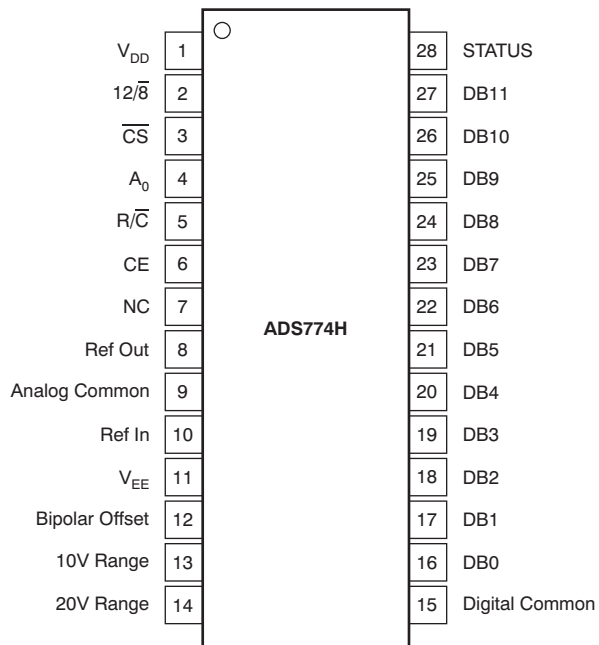
SYMBOL	PARAMETER	ADS774H			UNIT
		MIN	TYP	MAX	
t _{DD}	Access time from CE		75	150	ns
t _{HD}	Data valid after CE low	25	35		ns
t _{HL}	Output float delay		100	150	ns
t _{SSR}	C _S to CE setup	50	0		ns
t _{SRR}	R/C to CE setup	0			ns
t _{SAR}	A ₀ to CE setup	50	25		ns
t _{HSR}	C _S valid after CE low	0			ns
t _{HRR}	R/C high after CE low	0			ns
t _{HAR}	A ₀ valid after CE low	50			ns
t _{HS}	STATUS delay after data valid	75	150	375	ns

PIN CONFIGURATION

**NT, NTD PACKAGES⁽¹⁾
DIP-28
(TOP VIEW)**



**DW PACKAGE
SO-28
(TOP VIEW)**

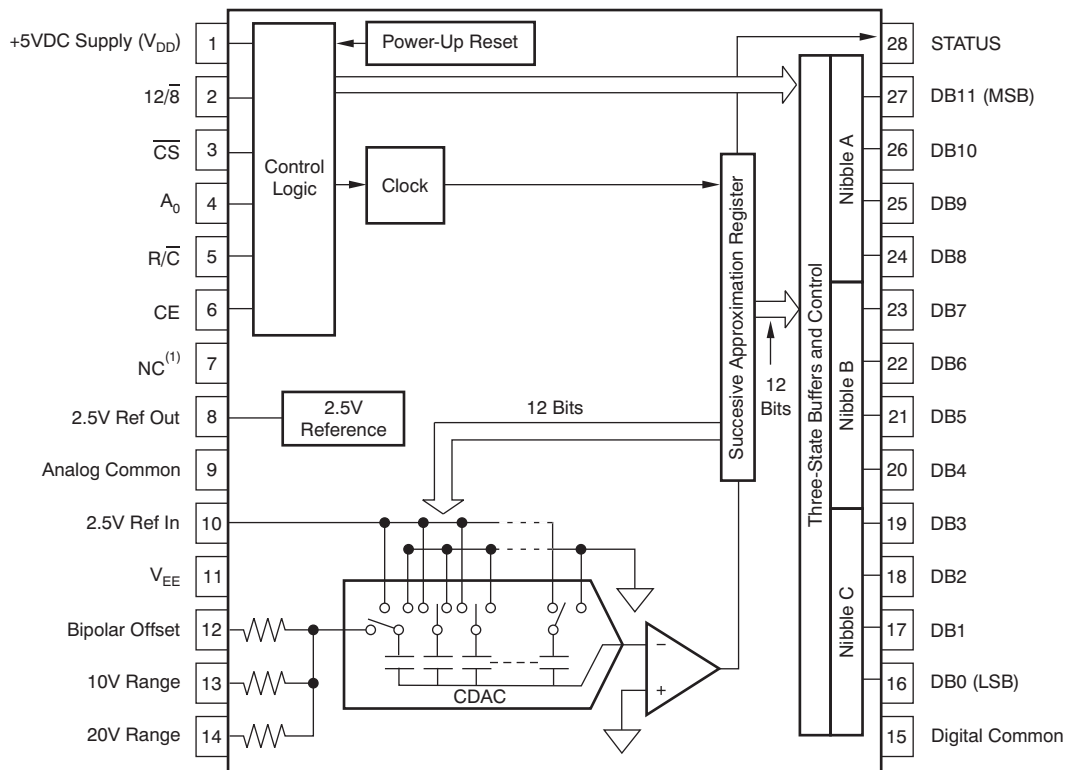


(1) NT and NTD (DIP-28) packages are product preview.

PIN DESCRIPTIONS

PIN		I/O	DESCRIPTION
NAME	NO.		
V _{DD}	1	Power	5V digital logic supply
12/ $\overline{8}$	2	Input	Data mode select '1' = read '0' = convert
\overline{CS}	3	Input	Chip select (active low)
A ₀	4	Input	Byte address, short cycle
R/ \overline{C}	5	Input	Read/Convert '1' = 12-bit '0' = 8-bit
CE	6	Input	Chip enable (active high)
NC	7		Do not connect
Ref Out	8	Output	2.5V reference output
Analog Common	9	Power	Analog ground
Ref In	10	Input	2.5V reference input
V _{EE}	11	Power	–15V to +5V analog supply
Bipolar Offset	12	Input	Connect this pin to REF OUT through a 50Ω resistor for bipolar operation, or connect to Analog Common for unipolar operation.
10V Range	13	Input	0V to 10V or ±5V input span. Do not connect if using a 20V range.
20V Range	14	Input	0V to 20V or ±10V input span. Do not connect if using a 10V range.
Digital Common	15	Power	Digital ground
DB0	16	Output	These pins provide the lower four bits of data when A ₀ is high. When A ₀ is low, these pins/bits are disabled.
DB1	17	Output	
DB2	18	Output	
DB3	19	Output	
DB4	20	Output	In 12-bit format, these pins output the middle four bits of data. In 8-bit format, they output the middle four bits when A ₀ is low, and all 0's when A ₀ is high.
DB5	21	Output	
DB6	22	Output	
DB7	23	Output	
DB8	24	Output	In 12-bit format, these pins output the upper four bits of data. In 8-bit format, they output the upper four bits when A ₀ is low, and they are disabled when A ₀ is high.
DB9	25	Output	
DB10	26	Output	
DB11	27	Output	
STATUS	28	Output	Active high when conversion is in progress; active low when complete.

FUNCTIONAL BLOCK DIAGRAM



NOTE (1): Not internally connected.

Input Voltages, Transition Values, and LSB Values

BINARY (BIN) OUTPUT		INPUT VOLTAGE RANGE and MSB VALUES			
Analog Input Voltage Range	Defined As:	±10V	±5V	0V to +10V	0V to +20V
One least significant bit (LSB)	$\frac{FSR}{2^n}$	$\frac{20V}{2^n}$	$\frac{10V}{2^n}$	$\frac{10V}{2^n}$	$\frac{20V}{2^n}$
	n = 8	78.13mV	39.06mV	39.06mV	78.13mV
	n = 12	4.88mV	2.44mV	2.44mV	4.88mV
Output transition values					
FFEh to FFFh	+Full-scale calibration	+10V – 3/2LSB	+5V – 3/2LSB	+10V – 3/2LSB	+20V – 3/2LSB
7FFFh to 800h	Midscale calibration (Bipolar offset)	0V – 1/2LSB	0V – 1/2LSB	+5V – 1/2LSB	+10V – 1/2LSB
000h to 001h	Zero calibration (–Full-scale calibration)	–10V – +1/2LSB	–5V + 1/2LSB	0V + 1/2LSB	0V + 1/2LSB

TYPICAL CHARACTERISTICS

At $T_A = +25^\circ\text{C}$; $V_{DD} = V_{EE} = +5\text{V}$, bipolar $\pm 10\text{V}$ input range, and sampling frequency of 110kHz , unless otherwise specified. All plots use 4096 point FFTs.

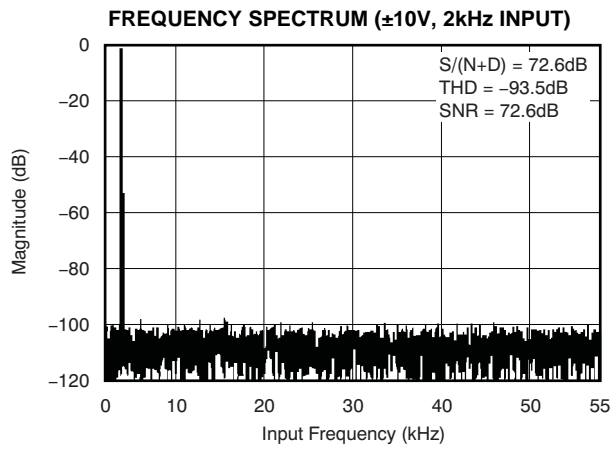


Figure 5.

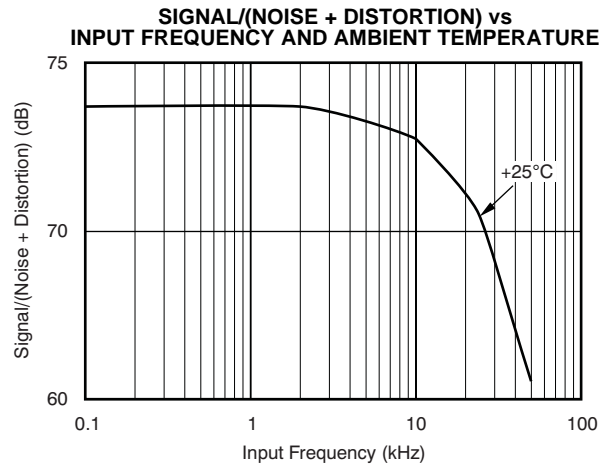


Figure 6.

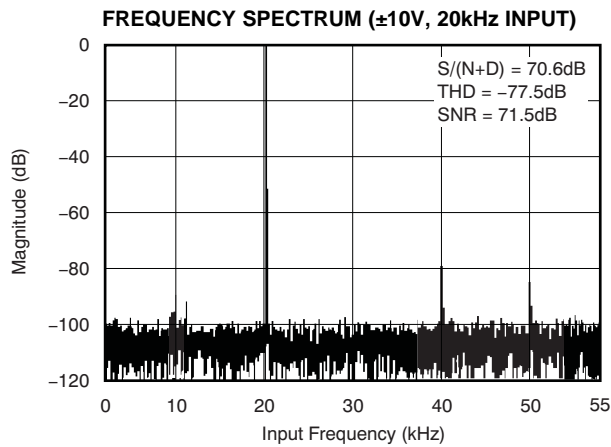


Figure 7.

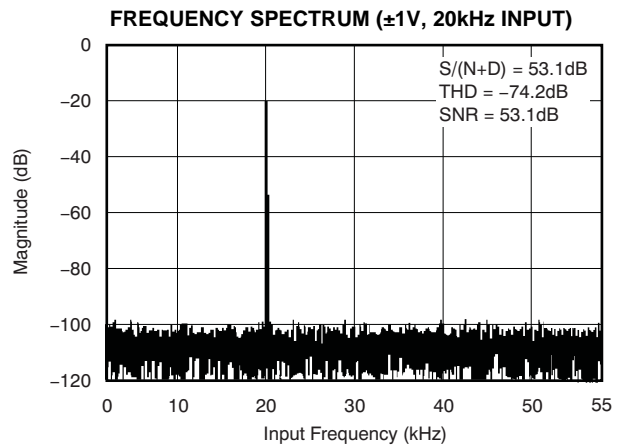


Figure 8.

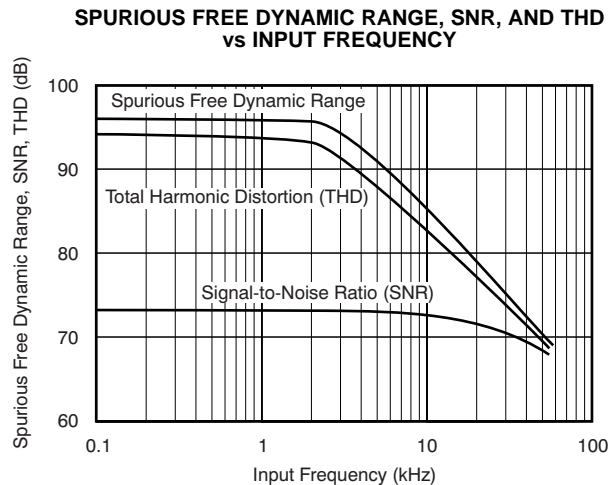


Figure 9.

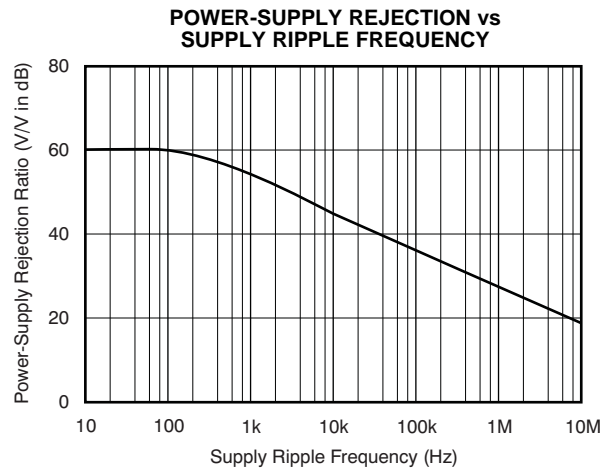


Figure 10.

THEORY OF OPERATION

OVERVIEW

In the ADS774H, the advantages of advanced CMOS technology (such as high logic density, stable capacitors, and precision analog switches) produce a fast, low-power ADC with internal sample/hold.

The charge-redistribution successive-approximation circuitry converts analog input voltages into digital words.

A simple example of a charge-redistribution ADC with only three bits is shown in [Figure 11](#).

SAMPLING

While sampling, the capacitor array switch for the MSB capacitor (S_1) is in position S , so that the charge on the MSB capacitor is proportional to the voltage level of the analog input signal. The remaining array switches (S_2 and S_3) are set to position G . Switch S_C is closed, setting the comparator input offset to zero.

CONVERSION

When a conversion command is received, switch S_1 opens to capture a charge on the MSB capacitor proportional to the analog input level at the time of the sampling command, and switch S_C opens to float the comparator input. The charge held in the capacitor array can now be moved between the three capacitors in the array by connecting switches S_1 , S_2 , and S_3 to either the R position (to connect to the reference) or the G position (to connect to GND), thus changing the voltage generated at the comparator input.

During the first approximation, the MSB capacitor is connected through switch S_1 to the reference, while switches S_2 and S_3 are connected to GND. Depending on whether the comparator output is high or low, the logic then latches S_1 in position R or G . Similarly, the second approximation is made by connecting S_2 to the reference and S_3 to GND, and latching S_2 according to the output of the comparator. After three successive approximation steps have been made, the voltage level at the comparator is within $1/2\text{LSB}$ of GND, and a digital word that represents the analog input can be determined from the positions of S_1 , S_2 and S_3 .

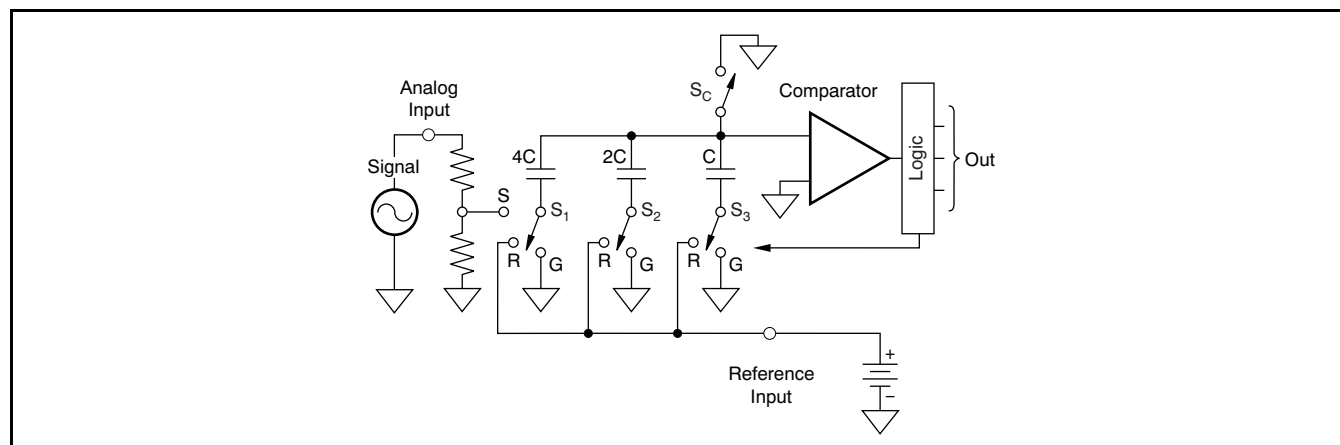


Figure 11. 3-Bit Charge Redistribution ADC

DEVICE OPERATION

BASIC OPERATION

Figure 12 shows the minimum connections required to operate the ADS774H in a basic $\pm 10V$ range in the Control Mode (discussed in detail in the section, *Sample/Hold (S/H) Control Mode and ADC774 Emulation Mode*). The falling edge of a Convert Command (a pulse that takes pin 5 low for a minimum of 25ns) initiates two actions: first, it switches the ADS774H input to the hold state; second, it begins the conversion process. Pin 28 (STATUS) outputs *high* during the conversion, and falls only after the conversion is completed and the data have been latched on the data output pins (pins 16 to 27). Thus, the falling edge of STATUS on pin 28 can be used to read the data from the conversion. Also, during conversion, the STATUS signal puts the

data output pins into a high-Z state and inhibits the input lines. This condition means that pulses on pin 5 are ignored, so that new conversions cannot be initiated during the conversion, either as a result of spurious signals or to short-cycle the ADS774H.

The ADS774H begins acquiring a new sample as soon as the conversion completes, even before the STATUS output falls, and tracks the input signal until the next conversion is started. The ADS774H is designed to complete a conversion and accurately acquire a new signal in 8.5 μs (max) over the full operating temperature range, so that conversions can take place at a full 117kHz.

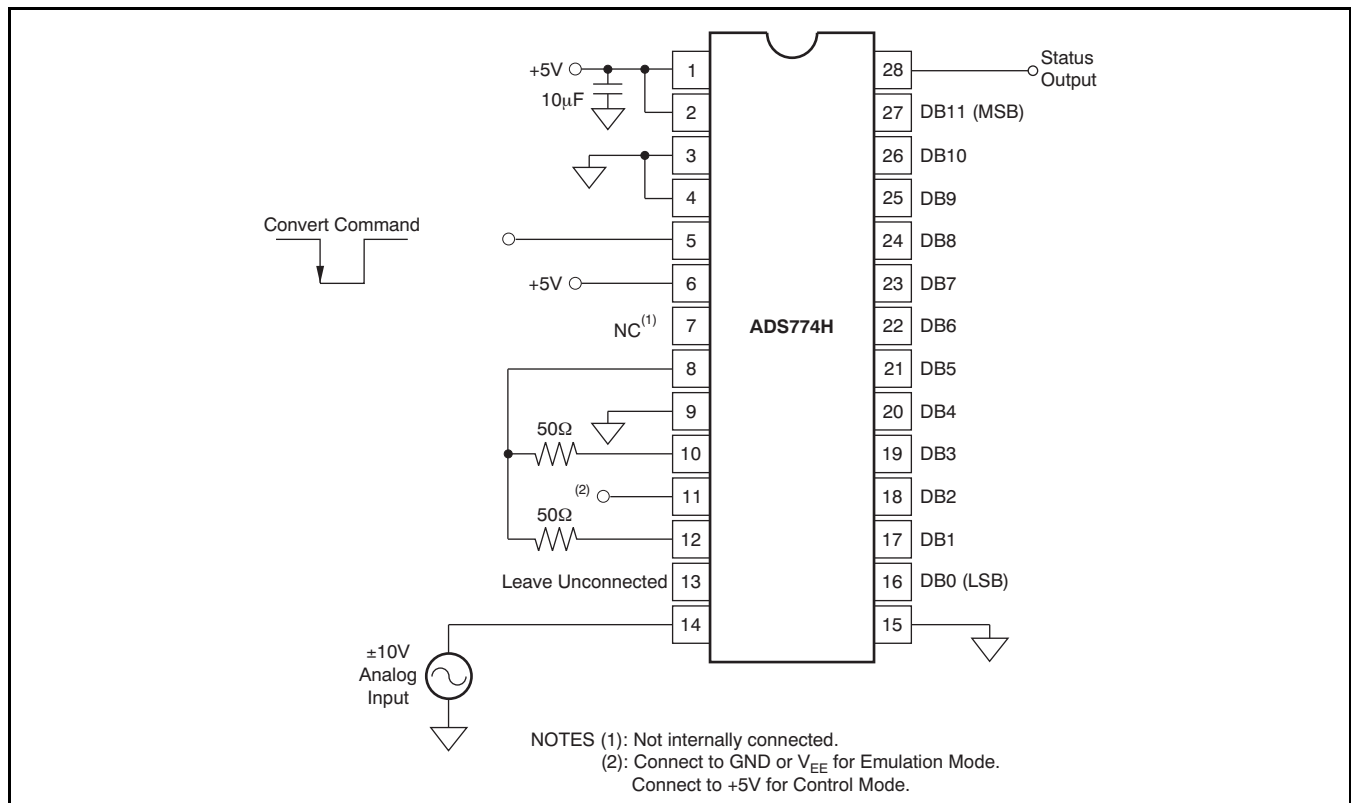


Figure 12. Basic $\pm 10V$ Operation

CONTROLLING THE ADS774H

The ADS774H can easily interface with most microprocessors and other digital systems. The microprocessor may take full control of each conversion, or the converter may operate in a stand-alone mode, controlled only by the R/\overline{C} input. Full control consists of selecting an 8- or 12-bit conversion cycle, initiating the conversion, and

reading the output data when ready: choosing either 12 bits all at once, or the eight MSBs followed by the four LSBs in a left-justified format. The five control inputs ($12/\overline{8}$, \overline{CS} , A_0 , R/\overline{C} , and CE) are all TTL-/CMOS-compatible. The functions of the control inputs are described in Table 1. The control function truth table is shown in Table 2.

Table 1. Control Line Functions

DESIGNATION	DEFINITION	FUNCTION
CE (pin 6)	Chip Enable (active high)	Must be high ('1') to either initiate a conversion or read output data. 0-to-1 edge may be used to initiate a conversion.
\overline{CS} (pin 3)	Chip Select (active low)	Must be low ('0') to either initiate a conversion or read output data. 1-to-0 edge may be used to initiate a conversion.
R/\overline{C} (pin 5)	Read/Convert '1' = Read '0' = Convert	Must be low ('0') to initiate either 8- or 12-bit conversions. 1-to-0 edge may be used to initiate a conversion. Must be high ('1') to read output data. 0-to-1 edge may be used to initiate a read operation.
A_0 (pin 4)	Byte Address, short cycle	In the start-convert mode, A_0 selects either 8-bit ($A_0 = '1'$) or 12-bit ($A_0 = '0'$) conversion mode. When reading output data in two 8-bit bytes, $A_0 = '0'$ accesses eight MSBs (high byte) and $A_0 = '1'$ accesses four LSBs and trailing 0s (low byte).
$12/\overline{8}$ (pin 2)	Data Mode select '1' = 12-bit '0' = 8-bit	When reading output data, $12/\overline{8} = '1'$ enables all 12 output bits simultaneously. $12/\overline{8} = '0'$ enables the MSBs or LSBs as determined by the A_0 line.

Table 2. Control Input Truth Table

CE	\overline{CS}	R/\overline{C}	$12/\overline{8}$	A_0	OPERATION
0	X	X	X	X	None
X	1	X	X	X	None
↑	0	0	X	0	Initiate 12-bit conversion
↑	0	0	X	1	Initiate 8-bit conversion
1	↓	0	X	0	Initiate 12-bit conversion
1	↓	0	X	1	Initiate 8-bit conversion
1	0	↓	X	0	Initiate 12-bit conversion
1	0	↓	X	1	Initiate 8-bit conversion
1	0	1	1	X	Enable 12-bit output
1	0	1	0	0	Enable eight MSBs only
1	0	1	0	1	Enable four LSBs plus four trailing zeroes

STAND-ALONE OPERATION

For stand-alone operation, control of the converter is accomplished by a single control line connected to R/\overline{C} . In this mode, \overline{CS} and A_0 are connected to digital common, and CE and $12/\overline{8}$ are connected to +5V. The output data are presented as 12-bit words. Stand-alone mode is used in systems that contain dedicated input ports which do not require full bus interface capability.

Conversion is initiated by a high-to-low transition of R/\overline{C} . The three-state data output buffers are enabled when R/\overline{C} is high and STATUS is low. Thus, there are two possible modes of operation: data can be read with either a positive pulse on R/\overline{C} , or a negative pulse on STATUS. In either case, the R/\overline{C} pulse must remain low for a minimum of 25ns.

Figure 1 illustrates timing with an R/\overline{C} pulse that goes low and returns high during the conversion. In this case, the three-state outputs go to the high-impedance state in response to the falling edge of R/\overline{C} and are enabled for external access of the data after the conversion completes.

Figure 2 illustrates the timing when a positive R/\overline{C} pulse is used. In this mode, the output data from the previous conversion are enabled during the time R/\overline{C} is high. A new conversion starts on the falling edge of R/\overline{C} , and the three-state outputs return to the high-impedance state until the next occurrence of a high R/\overline{C} pulse. Timing specifications for stand-alone operation are listed in the Timing Requirements table for [Stand-Alone Mode](#).

FULLY-CONTROLLED OPERATION

Conversion Length

Conversion length (8-bit or 12-bit) is determined by the state of the A_0 input, which is latched upon receipt of a conversion start transition (described in the next section). If A_0 is latched high, the conversion continues for eight bits. The full 12-bit conversion occurs if A_0 is low. If all 12 bits are read following an 8-bit conversion, the four LSBs (DB0–DB3) are low (logic 0). A_0 is latched because it is also involved in enabling the output buffers. No other control inputs are latched.

CONVERSION START

The converter initiates a conversion based on a transition that occurs on any of three logic inputs (CE, \overline{CS} , and R/\overline{C}) as shown in [Table 2](#). Conversion is initiated by the last of the three inputs to reach the required state; therefore, all three inputs may be dynamically controlled. If necessary, all three inputs may change state simultaneously; in this case, the nominal delay time is the same regardless of which input actually starts the conversion. If it is desired that a particular input establish the actual start of conversion, the other two inputs should be stable for a minimum of 50ns before the transition of the critical input. Timing relationships for the start of conversion timing are illustrated in [Figure 3](#). The timing specifications for timing are listed in the Timing Requirements tables for Fully-Controlled Operation [Convert Mode](#) and [Read Mode](#).

The STATUS output indicates the current state of the converter because it is in a high state only during conversion. During this time the three-state output buffers remain in a high-impedance state, and therefore data cannot be read during conversion. Furthermore, during this period, additional transitions of the three digital inputs that control conversion are ignored, so that conversion cannot be prematurely terminated or restarted. However, if A_0 changes state after the beginning of the conversion, any additional start conversion transition will latch the new state of A_0 , and possibly generate an incorrect conversion length (8 bits as opposed to 12 bits) for that conversion.

READING OUTPUT DATA

After conversion is initiated, the output data buffers remain in a high-impedance state until the following four logic conditions are simultaneously met: R/\overline{C} high, STATUS low, CE high, and \overline{CS} low. Upon satisfying these conditions, the data lines are enabled according to the state of inputs $12/\overline{8}$ and A_0 . See [Figure 4](#) for the timing diagram, and the Timing Requirements tables for Fully-Controlled Operation [Convert Mode](#) and [Read Mode](#) for timing specifications.

In most applications, the $12/\bar{8}$ input is hard-wired in either the high or low condition, although it is fully TTL- and CMOS-compatible and may be actively driven if desired. When $12/\bar{8}$ is high, all 12 output lines (DB0 to DB11) are enabled simultaneously for full data word transfer to a 12-bit or 16-bit bus. In this situation, the A_0 state is ignored when reading the data.

When $12/\bar{8}$ is low, the data is presented in the form of two 8-bit bytes, with selection of the byte of interest accomplished by the state of A_0 during the read cycle. When A_0 is low, the byte addressed contains the eight MSBs. When A_0 is high, the byte addressed

contains the four LSBs from the conversion followed by four logic zeroes that have been forced by the control logic. The left-justified formats of the two 8-bit bytes are shown in Table 3. Connection of the ADS774H to an 8-bit bus for data transfer is illustrated in Figure 13. The design of the ADS774H ensures that the A_0 input may be toggled at any time with no damage to the converter; the outputs that are tied together in Figure 13 cannot be enabled at the same time. The A_0 input is usually driven by the least significant bit of the address bus to allow storage of the output data word in two consecutive memory locations.

Table 3. 12-Bit Data Format for 8-Bit Systems

Word 1								
Processor	DB7	DB6	DB5	DB4	DB3	DB2	DB1	DB0
Converter	DB11	DB10	DB9	DB8	DB7	DB6	DB5	DB4

Word 2								
Processor	DB7	DB6	DB5	DB4	DB3	DB2	DB1	DB0
Converter	DB3	DB2	DB1	DB0	0	0	0	0

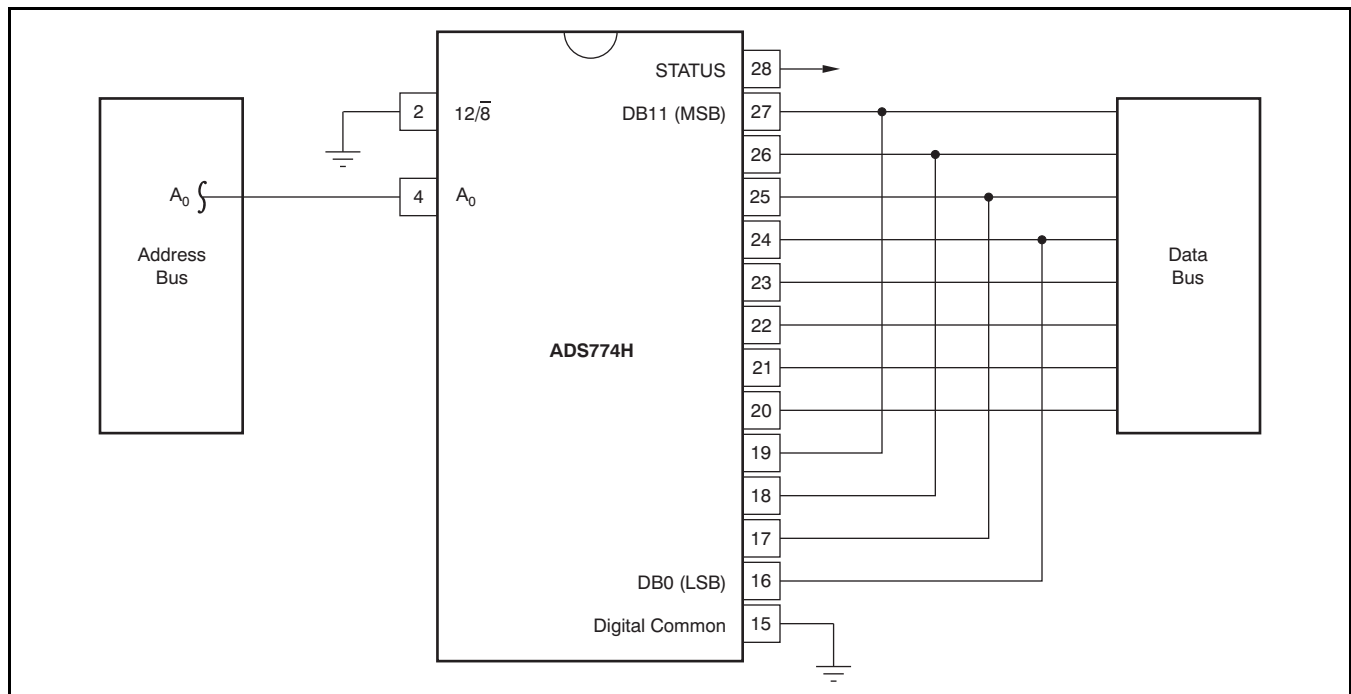


Figure 13. Connection to an 8-Bit Bus

SAMPLE/HOLD (S/H) CONTROL MODE AND ADC774 EMULATION MODE

As with the ADS774, Emulation Mode allows the ADS774H to be dropped into most existing ADC774 sockets without changes to other system hardware or software. In existing sockets, the analog input is held stable during the conversion period so that accurate conversions can proceed, but the input can change rapidly at any time before the conversion starts. Emulation Mode uses the stability of the analog input during the conversion period to both acquire and convert in a maximum of $8\mu\text{s}$ ($8.5\mu\text{s}$ over temperature.) In fact, system throughput can be increased, because the input to the ADS774H can start slewing before the end of a conversion (after the acquisition time), which is not possible with existing ADC774s.

The Control Mode is provided to allow full use of the internal sample/hold, eliminating the need for an external sample/hold in most applications. As compared with systems using separate sample/hold and ADC stages, the ADS774H in the Control Mode also eliminates the need for one of the control signals, usually the convert command. The command that puts the internal sample/hold in the hold state also initiates a conversion, reducing timing constraints in many systems.

The basic difference between these two modes is the assumptions about the state of the input signal both before and during the conversion. These differences are shown in Figure 14 and Table 4. In the Control Mode, it is assumed that during the required $1.4\mu\text{s}$ acquisition time, the signal is not changing faster than the ADS774H can track. No assumption is made

about the input level after the convert command arrives, because the input signal is sampled and conversion begins immediately after the convert command. This architecture means that a convert command can also be used to switch an input multiplexer or change gains on a programmable gain amplifier, allowing the input signal to settle before the next acquisition at the end of the conversion. Because aperture jitter is minimized in the Control Mode, a high input frequency can be converted without an external sample/hold.

In the Emulation Mode, a delay time is introduced between the convert command and the start of conversion to allow the ADS774H enough time to acquire the input signal before converting. This delay time increases the effective aperture delay time from $0.02\mu\text{s}$ to $1.6\mu\text{s}$, but allows the ADS774H to replace the ADC774 in most circuits without additional changes. In designs where the input to the ADS774H is changing rapidly in the 200ns before a convert command, system performance may be enhanced by delaying the convert command by 200ns .

When using the ADS774H in the Emulation Mode to replace existing converters in current designs, a sample/hold amplifier often precedes the converter. In these cases, no additional delay in the convert command is needed. The existing sample/hold does not slew excessively when going from the sample mode to the hold mode before a conversion. In both modes, as soon as the conversion completes, the internal sample/hold circuit immediately begins slewing to track the input signal.

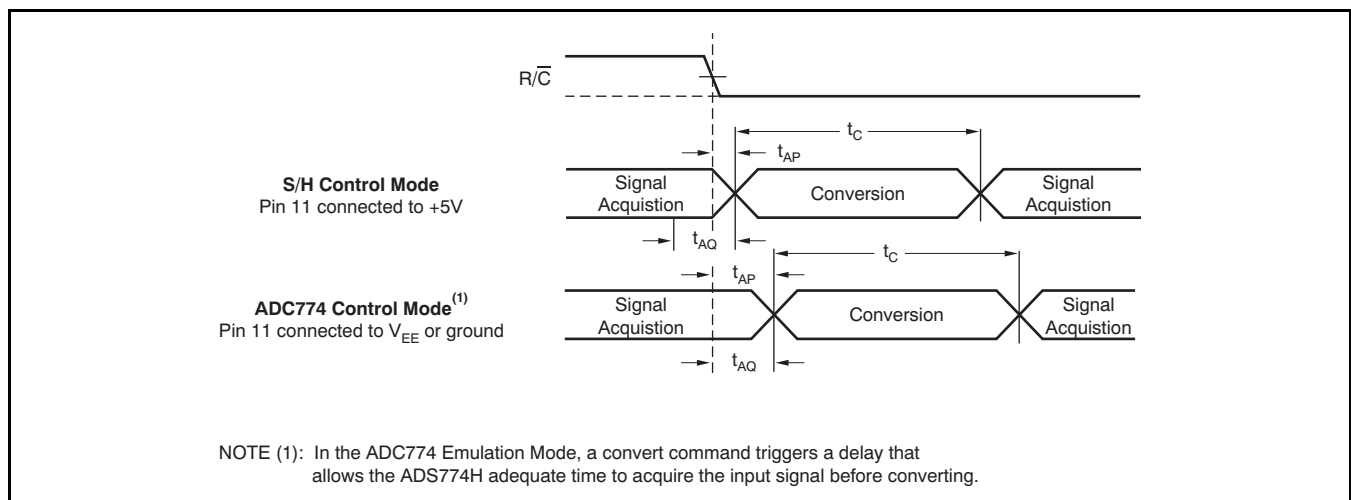


Figure 14. Signal Acquisition and Conversion Timing

Table 4. Conversion Timing, T_{MIN} to T_{MAX}

SYMBOL	PARAMETER	S/H CONTROL MODE (Pin 11 Connected to +5V)			ADC774 EMULATION MODE (Pin 11 Connected to 0V to –15V)			UNIT
		MIN	TYP	MAX	MIN	TYP	MAX	
Throughput Time:								
t _{AQ} + t _C	12-bit conversions		8	8.5		8	8.5	μs
	8-bit conversions		6	6.3		6	6.3	μs
Conversion Time:								
t _C	12-bit conversions		6.4			6.4		μs
	8-bit conversions		4.4			4.4		μs
t _{AQ}	Acquisition time		1.4			1.4		μs
t _{AP}	Aperture delay		20			1600		ns
t _J	Aperture uncertainty		0.3			10		ns

INSTALLATION

LAYOUT CONSIDERATIONS

Analog (pin 9) and digital (pin 15) commons are not connected together internally in the ADS774H, but should be connected together as close to the unit as possible, and to an analog common ground plane beneath the converter on the component side of the board. In addition, a wide conductor pattern should run directly from pin 9 to the analog supply common, and a separate wide conductor pattern from pin 15 to the digital supply common.

If the single-point system common cannot be established directly at the converter, pin 9 and pin 15 must be connected together at the converter. A single wide conductor pattern then connects these two pins to the system common. In either case, the common return of the analog input signal should be referenced to pin 9 of the ADC. This configuration prevents any voltage drops that may occur in the power-supply common returns from appearing in series with the input signal.

The speed of the ADS774H requires special caution regarding whichever input pin is not used. For 10V input ranges, pin 14 (20V range) must be unconnected; for 20V input ranges, pin 13 (10V range) must be unconnected. In both cases, the unconnected input should be shielded with a ground plane to reduce noise pickup.

In particular, the unused input pin should not be connected to any capacitive load, including high-impedance switches. Even a few picofarads on the unused pin can degrade acquisition time.

Coupling between analog input and digital lines should be minimized by careful layout. For instance, if the lines must cross, these traces should do so at right angles. Parallel analog and digital lines should be separated from each other by a pattern connected to common. If external full-scale and offset potentiometers are used, the potentiometers and associated resistors should be located as close as possible to the ADS774H.

POWER-SUPPLY DECOUPLING

On the ADS774H, +5V (to Pin 1) is the only power supply required for correct operation. Pin 7 is not connected internally, so there is no problem in existing ADC774 sockets where this is connected to +15V. Pin 11 (V_{EE}) is only used as a logic input to select modes of control over the sampling function as described above. When used in an existing ADC774 socket, the -15V on pin 11 selects the ADC774 Emulation Mode. Pin 11 is used as a logic input; therefore, it is immune to typical supply variations.

The +5V supply should be bypassed with a 10 μ F tantalum capacitor located close to the converter to promote noise-free operations, as shown in Figure 12. Noise on the power-supply lines can degrade the converter performance. Noise and spikes from a switching power supply are especially troublesome.

RANGE CONNECTIONS

The ADS774H offers four standard input ranges: 0V to +10V, 0V to +20V, $\pm 5V$, or $\pm 10V$. Figure 15 and Figure 16 show the necessary connections for each of these ranges, along with the optional gain and offset trim circuits. If a 10V input range is required, the analog input signal should be connected to pin 13 of the converter. A signal that requires a 20V range is connected to pin 14. In either case, the other pin of the two is left unconnected. Pin 12 (Bipolar Offset) is connected either to Pin 9 (Analog Common) for unipolar operation, or to Pin 8 (2.5V Ref Out), or the external reference, for bipolar operation. Full-scale and offset adjustments are described in the *Optional External Full-Scale and Offset Adjustments* section.

The input impedance of the ADS774H is typically 50k Ω in the 20V ranges and 12k Ω in the 10V ranges.

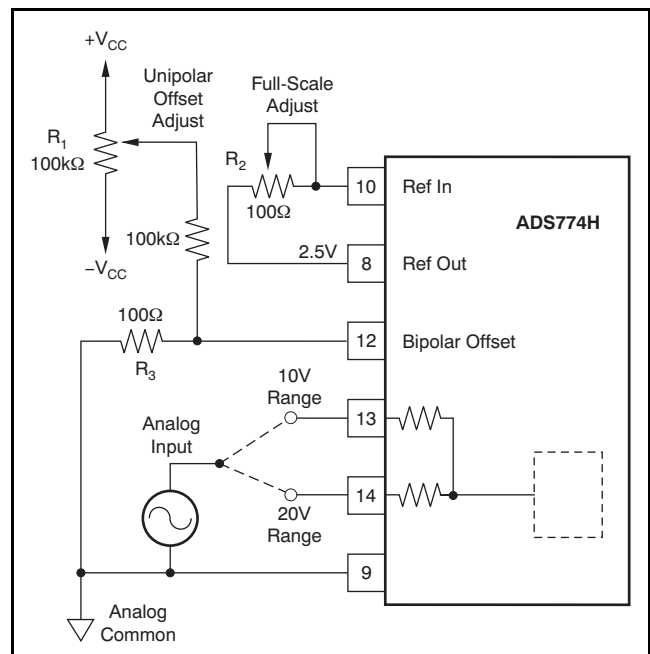
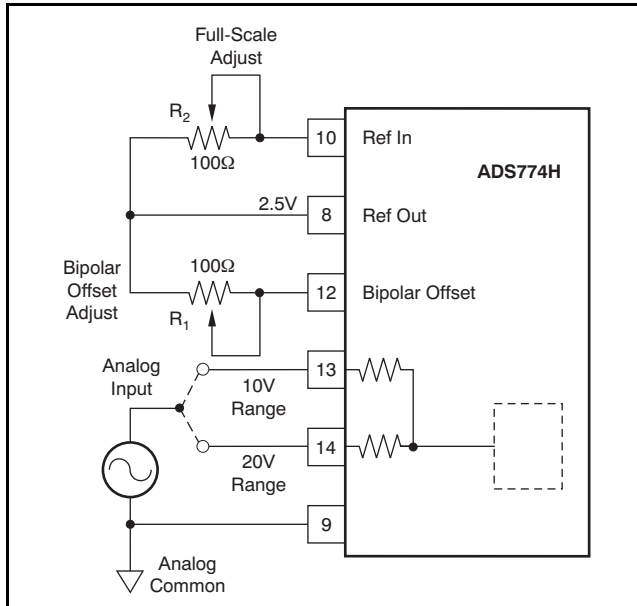


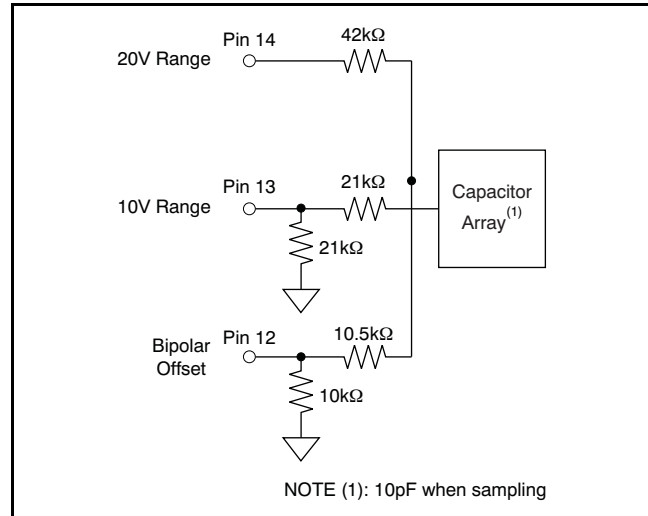
Figure 15. Unipolar Configuration


Figure 16. Bipolar Configuration

INPUT STRUCTURE

Figure 17 shows the resistor divider input structure of the ADS774H. Because the input is driving a capacitor in the CDAC during acquisition, the input is looking into a high impedance node.

To understand how this circuit works, it is necessary to know that the input range on the internal sampling capacitor is from 0V to +3.33V, and that the analog input to the ADS774H must be converted to this range. The unipolar 20V range can be used as an example of how the divider network functions. In 20V operation, the analog input goes into pin 14. Pin 13 is left unconnected and pin 12 is connected to pin 9, analog common. From Figure 17, it is clear that the input to the capacitor array is the analog input voltage on pin 14 divided by the resistor network ($42\text{k}\Omega + 42\text{k}\Omega \parallel 10.5\text{k}\Omega$). A 20V input at pin 14 is divided to 3.33V at the capacitor array, while a 0V input at pin 14 gives 0V at the capacitor array.


Figure 17. ADS774H Input Structure

SINGLE-SUPPLY OPERATION

The ADS774H is designed to operate from a single +5V supply and work with all of the unipolar and bipolar input ranges, in either Control Mode or Emulation Mode, as described in the [Sample/Hold \(S/H\) Control Mode and ADC744 Emulation Mode](#) section. Pin 7 is not connected internally. This input is where +12V or +15V is supplied on traditional ADC774s. Pin 11, the –12V or –15V supply input on traditional ADC774s, is used only as a logic input on the ADS774H. There is a resistor divider internally on pin 11 to reduce that input to a correct logic level within the ADS774H, and this resistor will add 10mW to 15mW to the power consumption of the ADS774H when –15V is supplied to pin 11. To minimize power consumption in a system, pin 11 can be simply grounded (for Emulation Mode) or tied to +5V (for Control Mode.)

There are no other modifications required for the ADS774H to function with a single +5V supply.

CALIBRATION

Optional External Full-Scale and Offset Adjustments

Offset and full-scale errors may be trimmed to zero using external offset and full-scale trim potentiometers connected to the ADS774H as shown in [Figure 15](#) and [Figure 16](#), respectively, for unipolar and bipolar operation.

Calibration Procedure: Unipolar Ranges

If external adjustments of full-scale and offset are not required, replace R_2 in [Figure 15](#) with a 50Ω 1% metal film resistor and connect pin 12 to pin 9, omitting the other adjustment components.

If adjustment is required, connect the converter as shown in [Figure 15](#). Sweep the input through the end-point transition voltage ($0V + 1/2\text{LSB}$; $+1.22\text{mV}$ for the 10V range, $+2.44\text{mV}$ for the 20V range) that causes the output code to be DB0 on (high). Adjust potentiometer R_1 until DB0 alternately toggles on and off with all other bits off. Then, adjust the full-scale by applying an input voltage of nominal full-scale minus

$3/2\text{LSB}$, the value that should cause all bits to be on. This value is $+9.9963\text{V}$ for the 10V range and $+19.9927\text{V}$ for the 20V range. Adjust potentiometer R_2 until bits DB1 to DB11 are on, and DB0 is toggling on and off.

Calibration Procedure: Bipolar Ranges

If external adjustments of full-scale and bipolar offset are not required, replace the potentiometers in [Figure 16](#) by 50Ω , 1% metal film resistors.

If adjustments are required, connect the converter as shown in [Figure 16](#). The calibration procedure is similar to that described above for unipolar operation, except that the offset adjustment is performed with an input voltage that is $1/2\text{LSB}$ above the minus full-scale value (-4.9988V for the $\pm 5\text{V}$ range, -9.9976V for the $\pm 10\text{V}$ range). Adjust R_1 for DB0 to toggle on and off with all other bits off. To adjust the full-scale range, apply a dc input signal that is $3/2\text{LSB}$ below the nominal plus full-scale value ($+4.9963\text{V}$ for $\pm 5\text{V}$ range, $+9.9927\text{V}$ for $\pm 10\text{V}$ range) and adjust R_2 for DB0 to toggle on and off with all other bits off.

PACKAGING INFORMATION

Orderable Device	Status (1)	Package Type	Package Drawing	Pins	Package Qty	Eco Plan (2)	Lead finish/ Ball material (6)	MSL Peak Temp (3)	Op Temp (°C)	Device Marking (4/5)	Samples
ADS774HIBDW	NRND	SOIC	DW	28	20	RoHS & Green	Call TI	Level-2-260C-1 YEAR		ADS774HI B	
ADS774HIBDWR	NRND	SOIC	DW	28	1000	RoHS & Green	Call TI	Level-2-260C-1 YEAR		ADS774HI B	
ADS774HIDW	NRND	SOIC	DW	28	20	RoHS & Green	Call TI	Level-2-260C-1 YEAR		ADS774HI	
ADS774HIDWR	NRND	SOIC	DW	28	1000	RoHS & Green	Call TI	Level-2-260C-1 YEAR		ADS774HI	

(1) The marketing status values are defined as follows:

ACTIVE: Product device recommended for new designs.

LIFEBUY: TI has announced that the device will be discontinued, and a lifetime-buy period is in effect.

NRND: Not recommended for new designs. Device is in production to support existing customers, but TI does not recommend using this part in a new design.

PREVIEW: Device has been announced but is not in production. Samples may or may not be available.

OBSELETE: TI has discontinued the production of the device.

(2) **RoHS:** TI defines "RoHS" to mean semiconductor products that are compliant with the current EU RoHS requirements for all 10 RoHS substances, including the requirement that RoHS substance do not exceed 0.1% by weight in homogeneous materials. Where designed to be soldered at high temperatures, "RoHS" products are suitable for use in specified lead-free processes. TI may reference these types of products as "Pb-Free".

RoHS Exempt: TI defines "RoHS Exempt" to mean products that contain lead but are compliant with EU RoHS pursuant to a specific EU RoHS exemption.

Green: TI defines "Green" to mean the content of Chlorine (Cl) and Bromine (Br) based flame retardants meet JS709B low halogen requirements of <=1000ppm threshold. Antimony trioxide based flame retardants must also meet the <=1000ppm threshold requirement.

(3) MSL, Peak Temp. - The Moisture Sensitivity Level rating according to the JEDEC industry standard classifications, and peak solder temperature.

(4) There may be additional marking, which relates to the logo, the lot trace code information, or the environmental category on the device.

(5) Multiple Device Markings will be inside parentheses. Only one Device Marking contained in parentheses and separated by a "-" will appear on a device. If a line is indented then it is a continuation of the previous line and the two combined represent the entire Device Marking for that device.

(6) Lead finish/Ball material - Orderable Devices may have multiple material finish options. Finish options are separated by a vertical ruled line. Lead finish/Ball material values may wrap to two lines if the finish value exceeds the maximum column width.

Important Information and Disclaimer:The information provided on this page represents TI's knowledge and belief as of the date that it is provided. TI bases its knowledge and belief on information provided by third parties, and makes no representation or warranty as to the accuracy of such information. Efforts are underway to better integrate information from third parties. TI has taken and continues to take reasonable steps to provide representative and accurate information but may not have conducted destructive testing or chemical analysis on incoming materials and chemicals. TI and TI suppliers consider certain information to be proprietary, and thus CAS numbers and other limited information may not be available for release.

In no event shall TI's liability arising out of such information exceed the total purchase price of the TI part(s) at issue in this document sold by TI to Customer on an annual basis.

TAPE AND REEL INFORMATION

QUADRANT ASSIGNMENTS FOR PIN 1 ORIENTATION IN TAPE

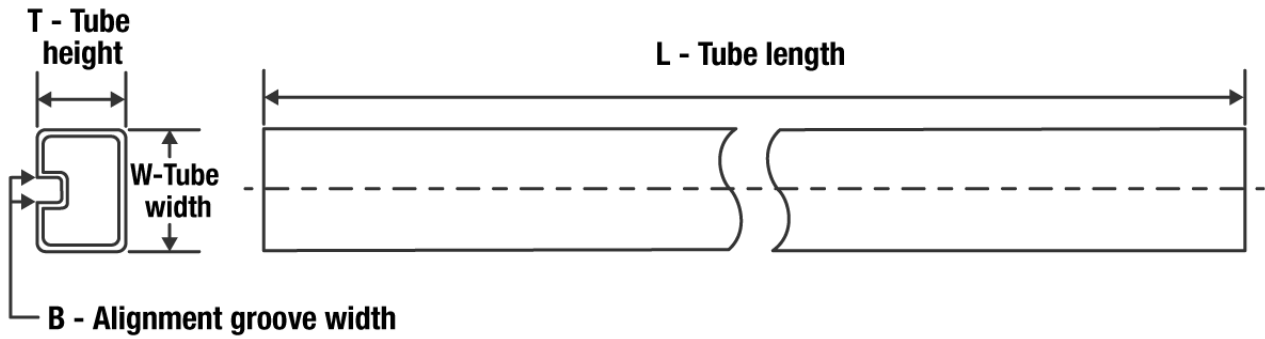

*All dimensions are nominal

Device	Package Type	Package Drawing	Pins	SPQ	Reel Diameter (mm)	Reel Width W1 (mm)	A0 (mm)	B0 (mm)	K0 (mm)	P1 (mm)	W (mm)	Pin1 Quadrant
ADS774HIBDWR	SOIC	DW	28	1000	330.0	32.4	11.35	18.67	3.1	16.0	32.0	Q1
ADS774HIDWR	SOIC	DW	28	1000	330.0	32.4	11.35	18.67	3.1	16.0	32.0	Q1

TAPE AND REEL BOX DIMENSIONS


*All dimensions are nominal

Device	Package Type	Package Drawing	Pins	SPQ	Length (mm)	Width (mm)	Height (mm)
ADS774HIBDWR	SOIC	DW	28	1000	367.0	367.0	55.0
ADS774HIDWR	SOIC	DW	28	1000	367.0	367.0	55.0

TUBE


*All dimensions are nominal

Device	Package Name	Package Type	Pins	SPQ	L (mm)	W (mm)	T (μm)	B (mm)
ADS774HIBDW	DW	SOIC	28	20	507	12.83	5080	6.6
ADS774HIDW	DW	SOIC	28	20	507	12.83	5080	6.6

DW (R-PDSO-G28)

PLASTIC SMALL OUTLINE

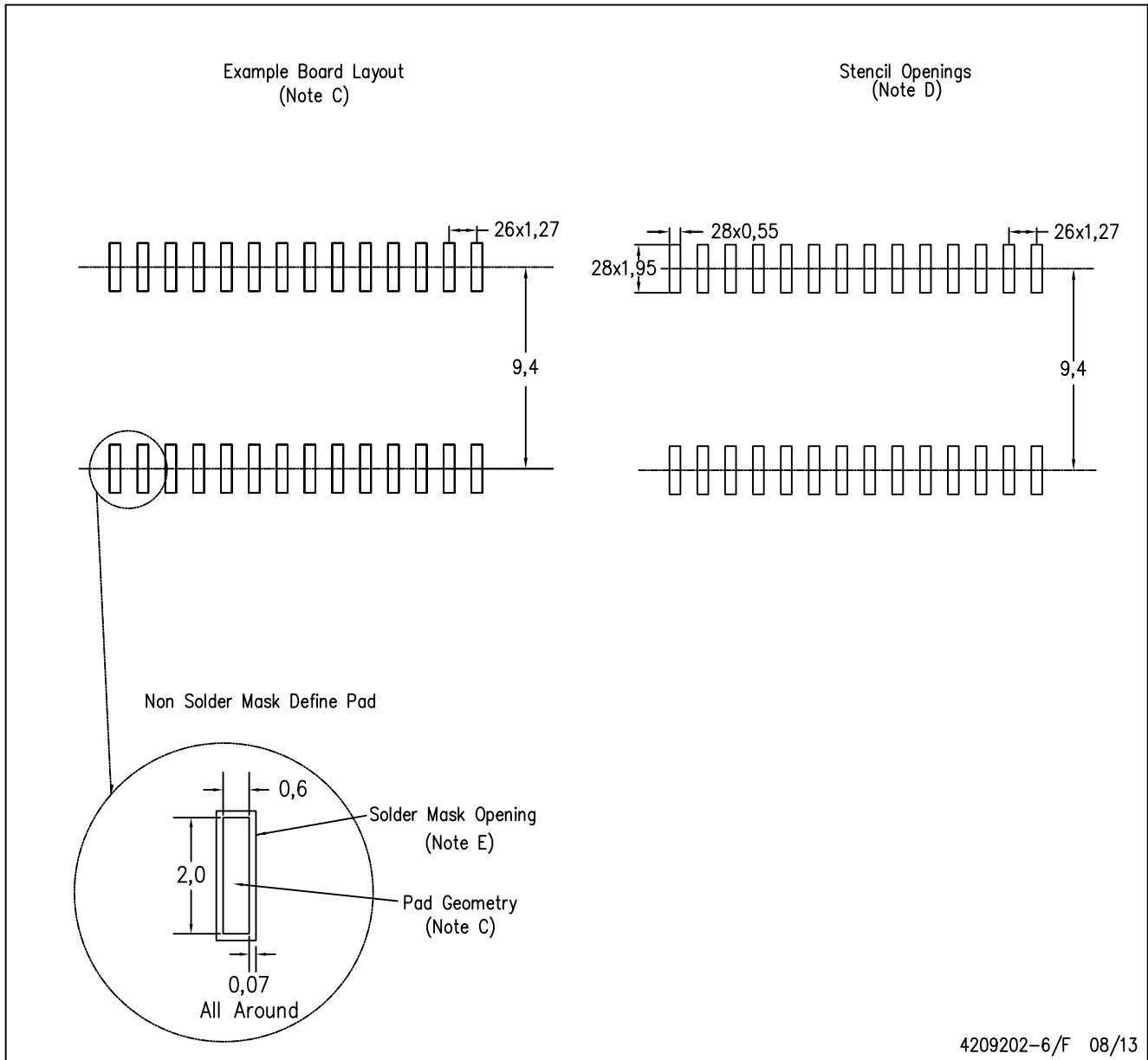


4040000-6/G 01/11

- NOTES:
- All linear dimensions are in inches (millimeters). Dimensioning and tolerancing per ASME Y14.5M-1994.
 - This drawing is subject to change without notice.
 - Body dimensions do not include mold flash or protrusion not to exceed 0.006 (0,15).
 - Falls within JEDEC MS-013 variation AE.

DW (R-PDSO-G28)

PLASTIC SMALL OUTLINE



4209202-6/F 08/13

- NOTES:
- A. All linear dimensions are in millimeters.
 - B. This drawing is subject to change without notice.
 - C. Refer to IPC7351 for alternate board design.
 - D. Laser cutting apertures with trapezoidal walls and also rounding corners will offer better paste release. Customers should contact their board assembly site for stencil design recommendations. Refer to IPC-7525
 - E. Customers should contact their board fabrication site for solder mask tolerances between and around signal pads.

IMPORTANT NOTICE AND DISCLAIMER

TI PROVIDES TECHNICAL AND RELIABILITY DATA (INCLUDING DATA SHEETS), DESIGN RESOURCES (INCLUDING REFERENCE DESIGNS), APPLICATION OR OTHER DESIGN ADVICE, WEB TOOLS, SAFETY INFORMATION, AND OTHER RESOURCES "AS IS" AND WITH ALL FAULTS, AND DISCLAIMS ALL WARRANTIES, EXPRESS AND IMPLIED, INCLUDING WITHOUT LIMITATION ANY IMPLIED WARRANTIES OF MERCHANTABILITY, FITNESS FOR A PARTICULAR PURPOSE OR NON-INFRINGEMENT OF THIRD PARTY INTELLECTUAL PROPERTY RIGHTS.

These resources are intended for skilled developers designing with TI products. You are solely responsible for (1) selecting the appropriate TI products for your application, (2) designing, validating and testing your application, and (3) ensuring your application meets applicable standards, and any other safety, security, regulatory or other requirements.

These resources are subject to change without notice. TI grants you permission to use these resources only for development of an application that uses the TI products described in the resource. Other reproduction and display of these resources is prohibited. No license is granted to any other TI intellectual property right or to any third party intellectual property right. TI disclaims responsibility for, and you will fully indemnify TI and its representatives against, any claims, damages, costs, losses, and liabilities arising out of your use of these resources.

TI's products are provided subject to [TI's Terms of Sale](#) or other applicable terms available either on ti.com or provided in conjunction with such TI products. TI's provision of these resources does not expand or otherwise alter TI's applicable warranties or warranty disclaimers for TI products.

TI objects to and rejects any additional or different terms you may have proposed.

Mailing Address: Texas Instruments, Post Office Box 655303, Dallas, Texas 75265
Copyright © 2022, Texas Instruments Incorporated