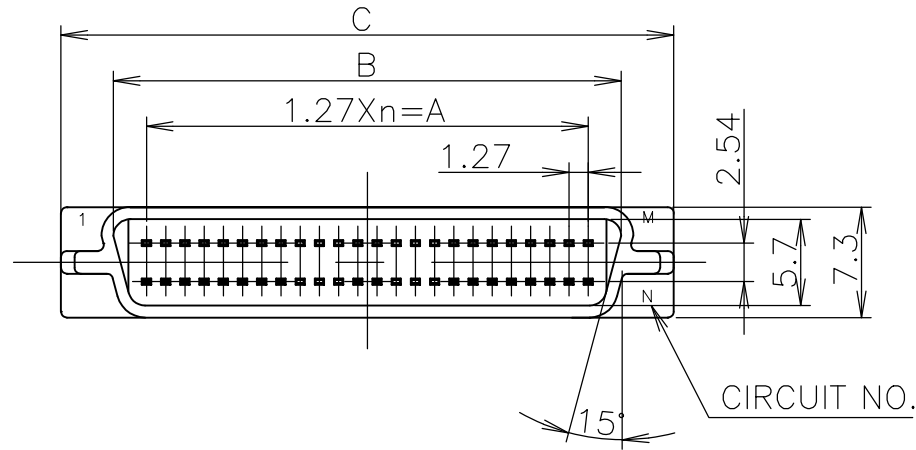
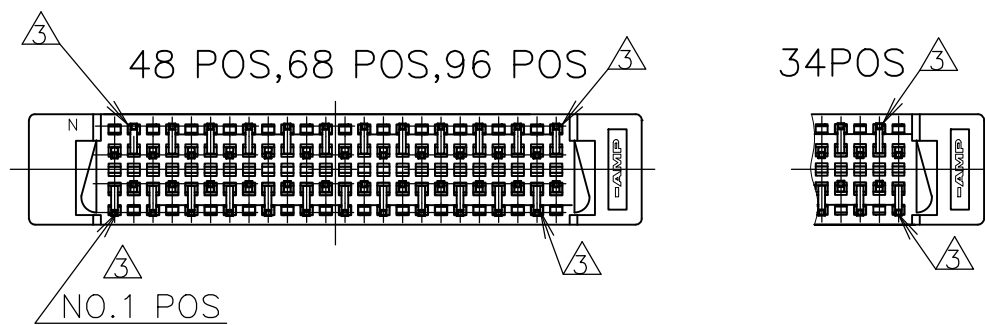
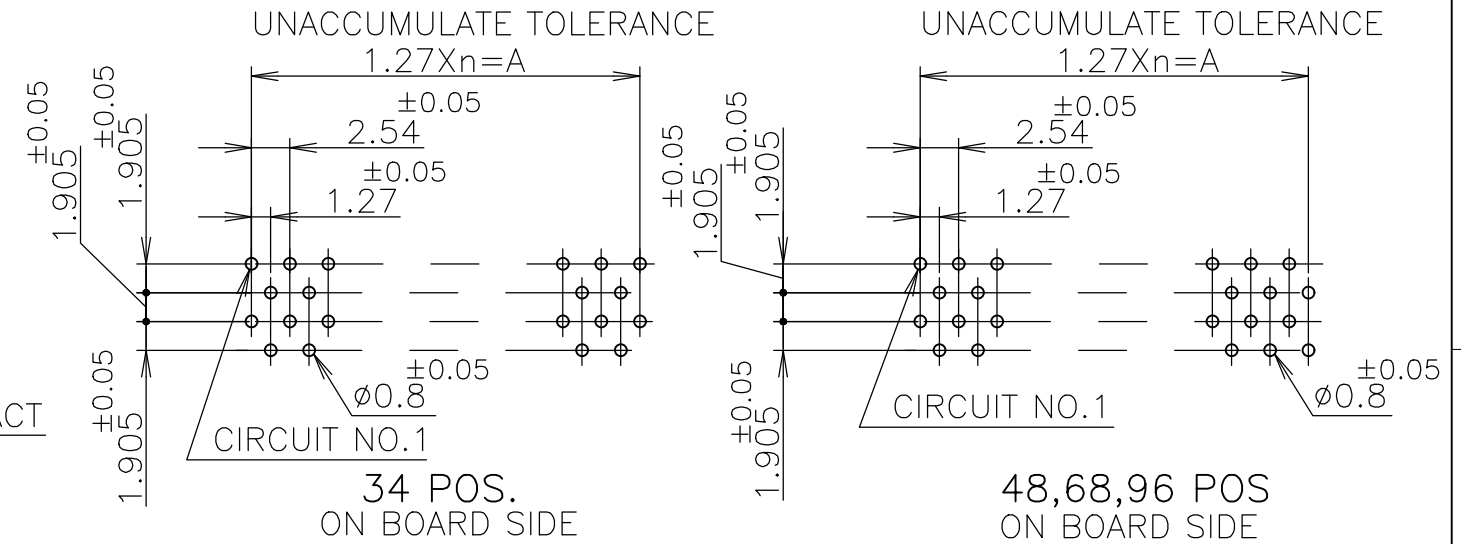
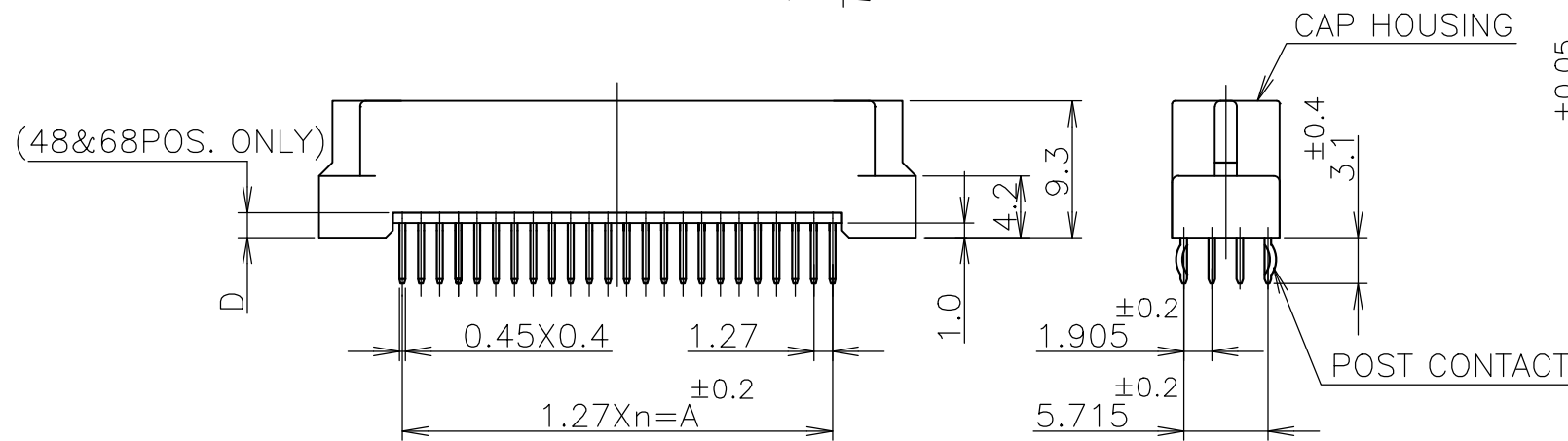


P	LTR	DESCRIPTION	DATE	DWN	APVD
S1		ECO-20-014032	16OCT2020	RR	SH



- ① MATERIAL AND FINISH  
CAP HOUSING ; THERMOPLASTIC (UL94V-0) COLOR:BLACK  
POST CONTACT ; COPPER ALLOY FINISH,OVER NICKEL  
MATING END:0.0002 MIN. OR  
0.00076 MIN. GOLD  
TERMINATION END:TIN  
OVER SEALING TREATMENT.
- ② P.C.B. LAYOUT AND P.C.B. TREATMENT(REF.)  
USE A P.C.B. SURFACE ARE TREATED WITH SOLDER RESIST.
- ③ KINK POSITIONS(4 POSITIONS).
- ④ OBSOLETE PARTS: OBSOLETE CIS STREAMLINING PER  
D.RENAUD/D.SINISI



④ OBSOLETE	Au PL. 0.00076 MIN.	96	48	59.69	64.06	71.00	—	47	96	6	—	—	8
		68	34	41.91	46.28	53.22	1.7	33	68	6	—	—	7
		48	24	29.21	33.58	40.52	1.7	23	48	6	—	—	6
		34	17	20.32	24.69	31.63	—	16	34	6	—	—	5
④ OBSOLETE	Au PL. 0.0002 MIN.	96	48	59.69	64.05	71.00	—	47	96				8
		68	34	41.91	46.28	53.22	1.7	33	68				7
		48	24	29.21	33.58	40.52	1.7	23	48				6
④ OBSOLETE		34	17	20.32	24.69	31.63	—	16	34				5
REMARK		N	M	A	B	C	D	n	POS.	PART NO.			

THIS DRAWING IS A CONTROLLED DOCUMENT.		DWN T.KAWAMAE 04AUG05	TE Connectivity CAP ASSY VERTICAL (W/KINK) AMPLIMITE 050 SERIES I B-TO-B CONN.	
DIMENSIONS: 単位: 耗 mm		CHK T.SASAKI 04AUG05		
TOLERANCES UNLESS OTHERWISE SPECIFIED: 一般公差		APVD T.SASAKI 04AUG05	NAME 名称	
0 PLC ± - 1 PLC ± - 2 PLC ± - 3 PLC ± - 4 PLC ± - ANGLES ± -		PRODUCT SPEC 製品規格	DRAWING NO 番号	
GENERAL TOLERANCE 一般公差		APPLICATION SPEC 取付適用規格	RESTRICTED TO	
10 ≥ : ±0.2 30 ≥ > 10: ±0.25 100 ≥ > 30: ±0.3 ANGLES: ±3°		WEIGHT 0.000000	SIZE A3	CAGE CODE 00779
MATERIAL 材料		FINISH 仕上	DRAWING NO 番号	
		CUSTOMER DRAWING	SCALE 尺度 2:1	SHEET 1 OF 1
			REV S1	