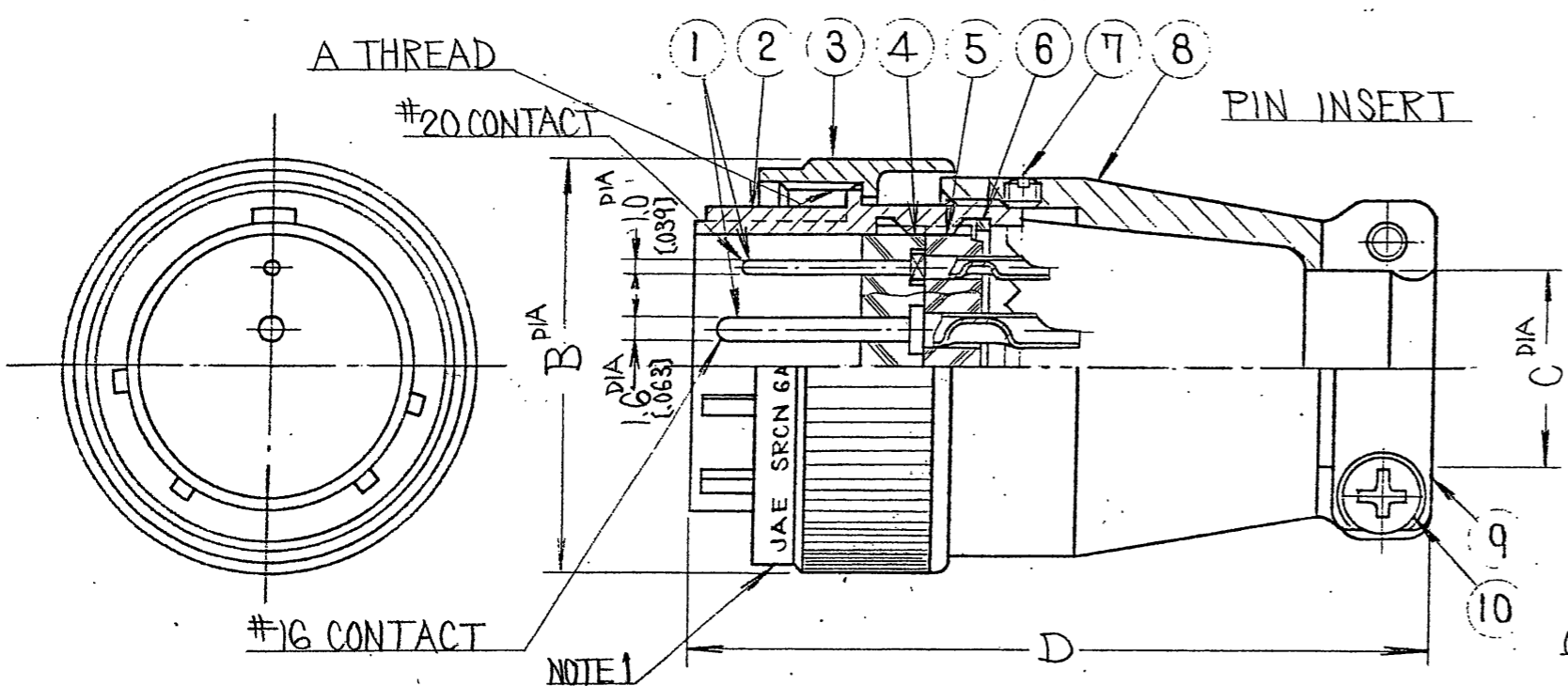


DWG. NO.	SYM.
SJ016062-E	3

SYM.	DCN NO.	DESCRIPTION	DATE	DRAWN	CHECKED	APP'D	APP'D
3	062556	REVISED NOTE	16-MAR-2007	T. Takekita	E. Matsumoto	-	A. Onogawa



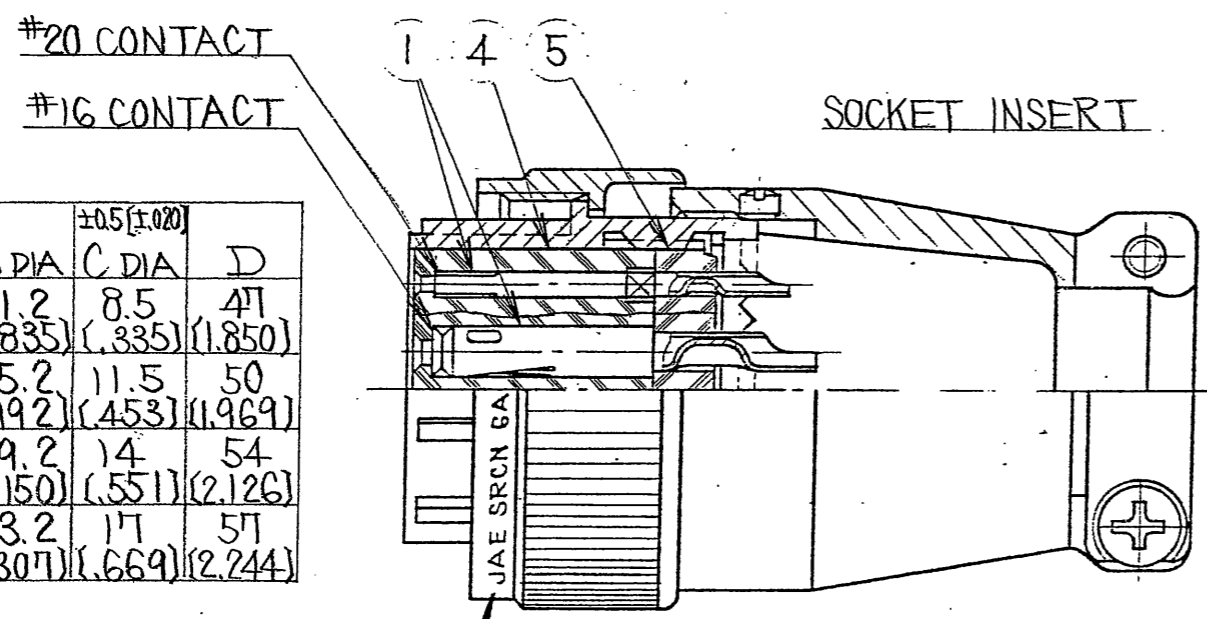
IDENTIFICATION

SRCN 6 A * - * * *
 (OMIT FOR NORMAL)
 ALTERNATE INSERT POSITION
 CONTACT TYPE; P-PIN CONTACT, S-SOCKET CONTACT
 NUMBER OF CONTACTS
 SHELL SIZE
 CLASS
 SHELL STYLE
 SERIES PREFIX

NOTES

- METAL STAMPS "JAE" "SRCN 6A * - * * *".
- FOR AVAILABLE INSERT ARRANGEMENTS, ALTERNATE POSITIONS, ELECTRICAL SPECIFICATIONS AND CONTACT SIZE, REFER TO SJ014069 OR CONSULT FACTORY.
- IDENTIFICATION PER JIS C 5432 AS FOLLOWS.

CNROISP * 0 * 0 * * *
 (OMIT FOR NORMAL)
 CONTACT TYPE M-PIN CONTACT F-SOCKET CONTACT
 SHELL SIZE ALTERNATE INSERT POSITION
 NUMBER OF CONTACTS



SHELL SIZE	A THREAD	B DIA	C DIA	D
13	M18 P1	21.2 (.835)	8.5 (.335)	47 (1.850)
16	M22 P1	25.2 (.992)	11.5 (.453)	50 (1.969)
21	M26 P1	29.2 (1.150)	14 (.551)	54 (2.126)
25	M30 P1	33.2 (1.307)	17 (.669)	57 (2.244)

REQUIREMENTS

TEMPERATURE -25°C ~ +85°C
 RELATIVE HUMIDITY 85% MAX
 INSULATION RESISTANCE 1000 MΩ MIN
 (AT DC500V)

ITEM	DESCRIPTION	Q'TY	MATERIAL	FINISH	NOTE
10	SCREWS PAN HEAD	2	STEEL	NICKEL PLATING	
9	SADDLE CLAMP	1	ALUMINUM ALLOY	SATIN NICKEL PLATING	
8	ENDBELL	1	ALUMINUM ALLOY	SATIN NICKEL PLATING	
7	SLOTTED SET SCREW	1	STEEL	NICKEL PLATING	COLOR: BLACK
6	RING RETAINING	1	COPPER ALLOY	NICKEL PLATING	
5	INSULATOR REAR	1	PLASTIC	NONE	UL FLAME CLASS 94V-0
4	INSULATOR FRONT	1	PLASTIC	NONE	UL FLAME CLASS 94V-0
3	NUT COUPLING	1	ALUMINUM ALLOY	SATIN NICKEL PLATING	
2	BARREL	1	ALUMINUM ALLOY	SATIN NICKEL PLATING	
1	CONTACTS		COPPER ALLOY	SILVER PLATING	SEE NOTE 2

UNLESS OTHERWISE SPECIFIED			DATE	5-26-1981
DIMENSIONS ARE IN MILLIMETERS			DRAWN	M. Komatsu
TOLERANCES ON: (INCHES)			CHECKED	M. Onoue, M. Takagi
FRACTIONS	DECIMALS	ANGLES	APP'D	E. Matsumoto
	±.2 (±.019)	±.08 (±.031)	±.02 (±.008)	
TREATMENT OR FINISH			APP'D	T. Yajima

TITLE		JAE-CONNECTOR.COM	
CONNECTOR, PLUG		Reference Only	
ELECTRICAL, STRAIGHT		JAPAN AVIATION ELECTRONICS IND. CO. LTD. FACTORY	
SRCN 6 A		NAKAGAMI-CHO, AKISHIMA-SHI TOKYO, JAPAN	
SCALE	NONE	DWG. NO.	SJ016062-E
DWG. SIZE	B	WT.	SHEET

NEXT ASS'Y	USED ON	NEXT ASS'Y	FINAL ASS'Y
APPLICATION	Q'TY REQ'D		