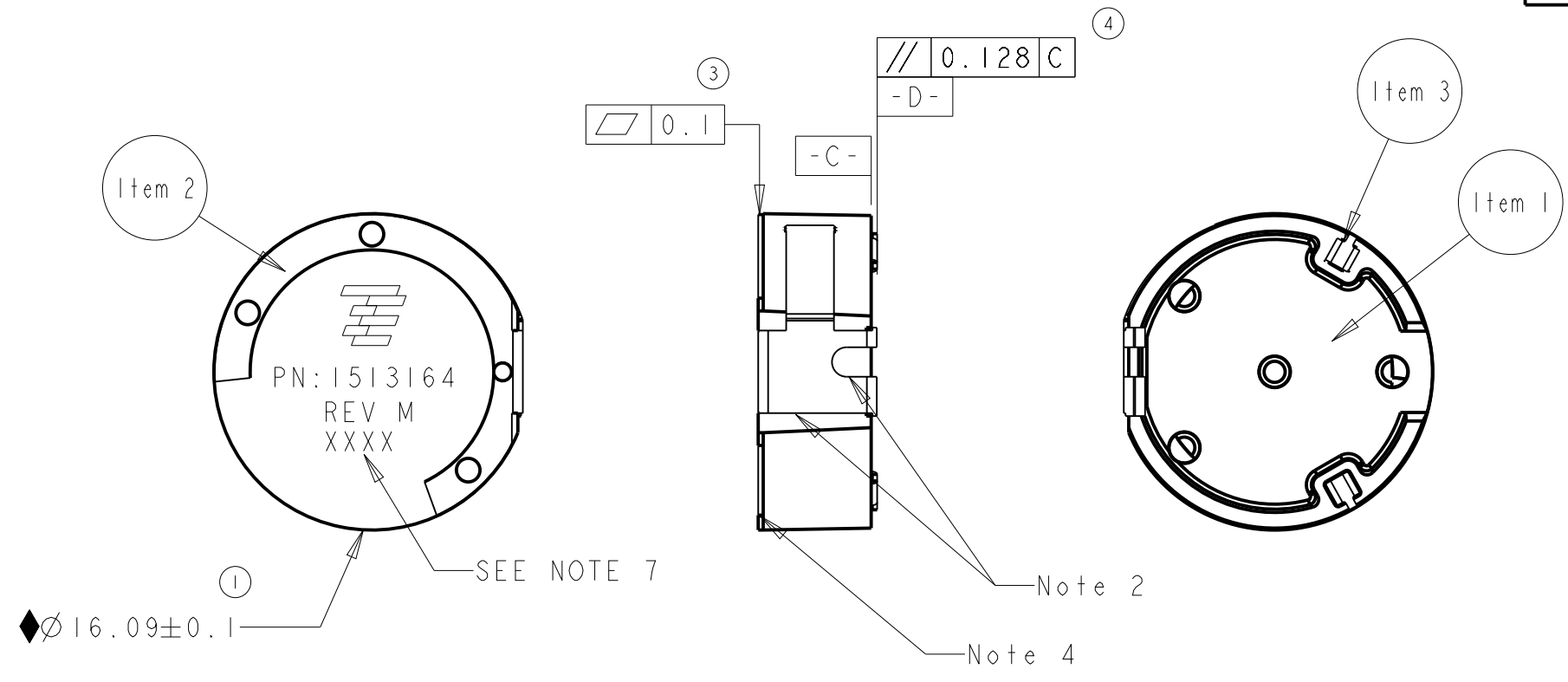


THIS DRAWING IS UNPUBLISHED. RELEASED FOR PUBLICATION 20
 © COPYRIGHT 20 BY - ALL RIGHTS RESERVED.

LOC	DIST	REVISIONS					
		P	LTR	DESCRIPTION	DATE	DWN	APVD
HQ	00		M1	REVISED PER ECO-11-005027	12MAR2011	RK	HMR
			M2	REV PER ECO-14-008663	10JUN2014	KF	PG



NOTES:

1. Material- Dupont Zenite 6130L BK010
2. General tolerance block applies unless otherwise specified.
3. Part is RoHS compliant per TE CONNECTIVITY standard TEC-138-702
4. Part will be identified with part number, rev letter, TE logo and 4 digit date code. 1st two digits for the year and the 2nd two digits for the week.
5. Consult TE CONNECTIVITY data sheet 1513164

◆ ONGOING STATISTICAL PROCESS CONTROL REQUIRED (TOTAL 2 PCS.)

1513164-1
 SCALE 2:1

THIS DRAWING IS A CONTROLLED DOCUMENT.		DWN MAH 29JAN2007					
DIMENSIONS: mm		CHK -					
TOLERANCES UNLESS OTHERWISE SPECIFIED:		APVD -	NAME 2.4/5 GHz Dual Band Antenna				
0 PLC ±0.10 1 PLC ±0.10 2 PLC ±0.05 3 PLC ±0.05 4 PLC ±0.01 ANGLES ±1°		PRODUCT SPEC -					
MATERIAL -	FINISH -	APPLICATION SPEC -	SIZE A3	CAGE CODE 00779	DRAWING NO C-1513164	RESTRICTED TO -	
		WEIGHT -	CUSTOMER DRAWING		SCALE 3:1	SHEET 1 OF 2	REV M2

4

3

2

1

THIS DRAWING IS UNPUBLISHED.

RELEASED FOR PUBLICATION

20

© COPYRIGHT 20

BY -

ALL RIGHTS RESERVED.

LOC

DIST

REVISIONS

HQ

00

P

LTR

DESCRIPTION

DATE

DWN

APVD

SEE SHEET 1

SECTION Z-Z

1. ORIENT PARTS AS SHOWN.

2. PARTS ARE COMPLIANT TO RoHS STANDARDS PER TE CONNECTIVITY STANDARD TEC-138-702.

3. ALL INFORMATION ON THIS DRAWING IS CONFIDENTIAL AND PROPRIETARY TO TE CONNECTIVITY.

THIS DRAWING IS A CONTROLLED DOCUMENT.		DWN	29JAN2007		
		CHK	-		
		APVD	-		
		PRODUCT SPEC	-		
DIMENSIONS:		TOLERANCES UNLESS OTHERWISE SPECIFIED:		NAME	
mm				2.4/5 GHz Dual Band Antenna	
		0 PLC ±0.10		SIZE	
		1 PLC ±0.10		CAGE CODE	
		2 PLC ±0.05		DRAWING NO	
		3 PLC ±0.05		RESTRICTED TO	
		4 PLC ±0.01		-	
		ANGLES ±1°		A300779	
MATERIAL		FINISH		C-1513164	
-		-		SCALE	
				3:1	
				SHEET	
				2 OF 2	
				REV	
				M2	
				CUSTOMER DRAWING	

1470-19 (3/11)