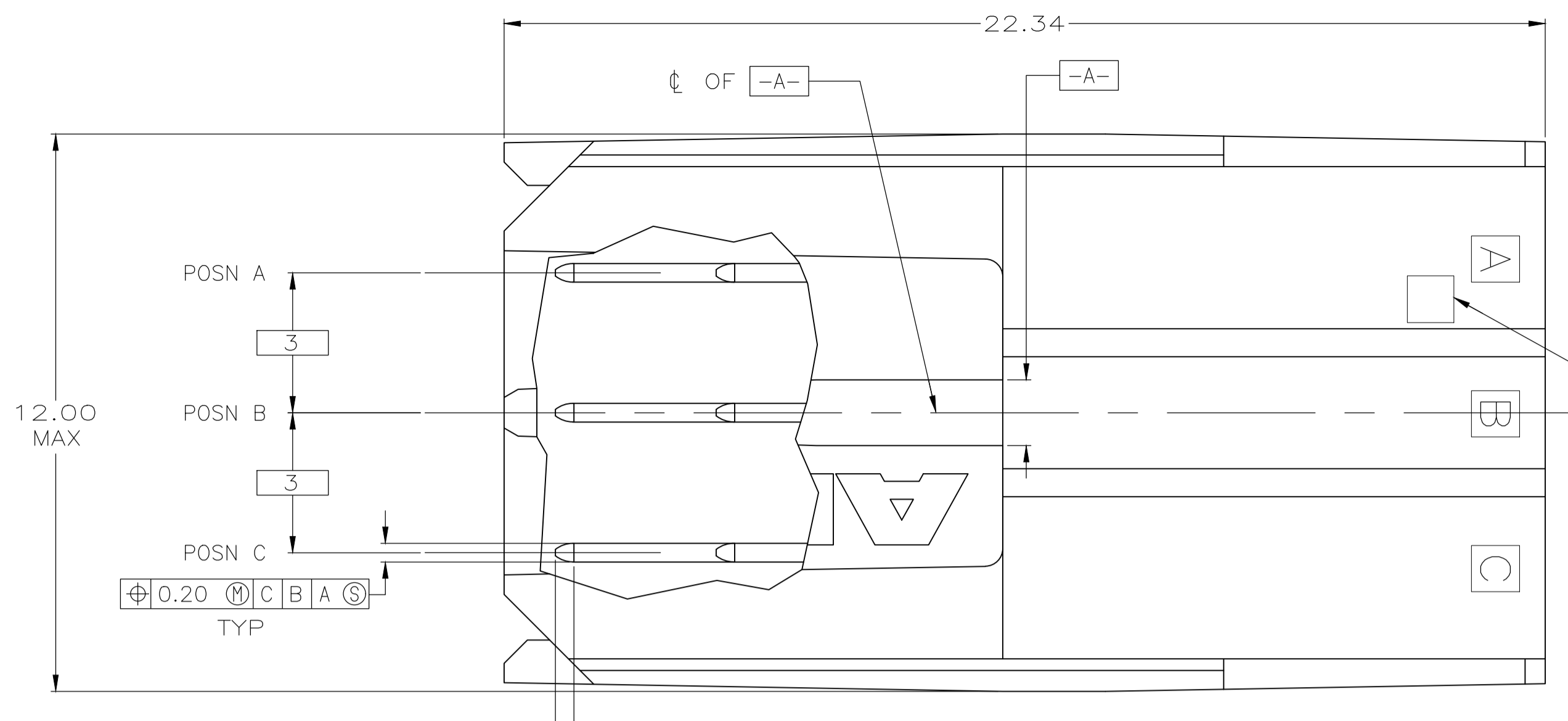
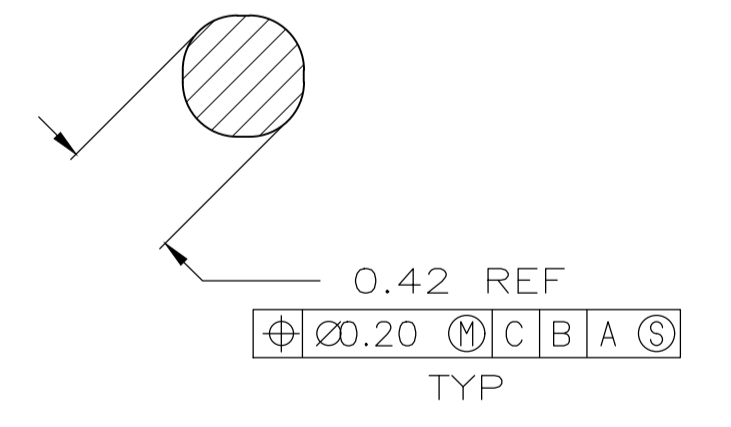
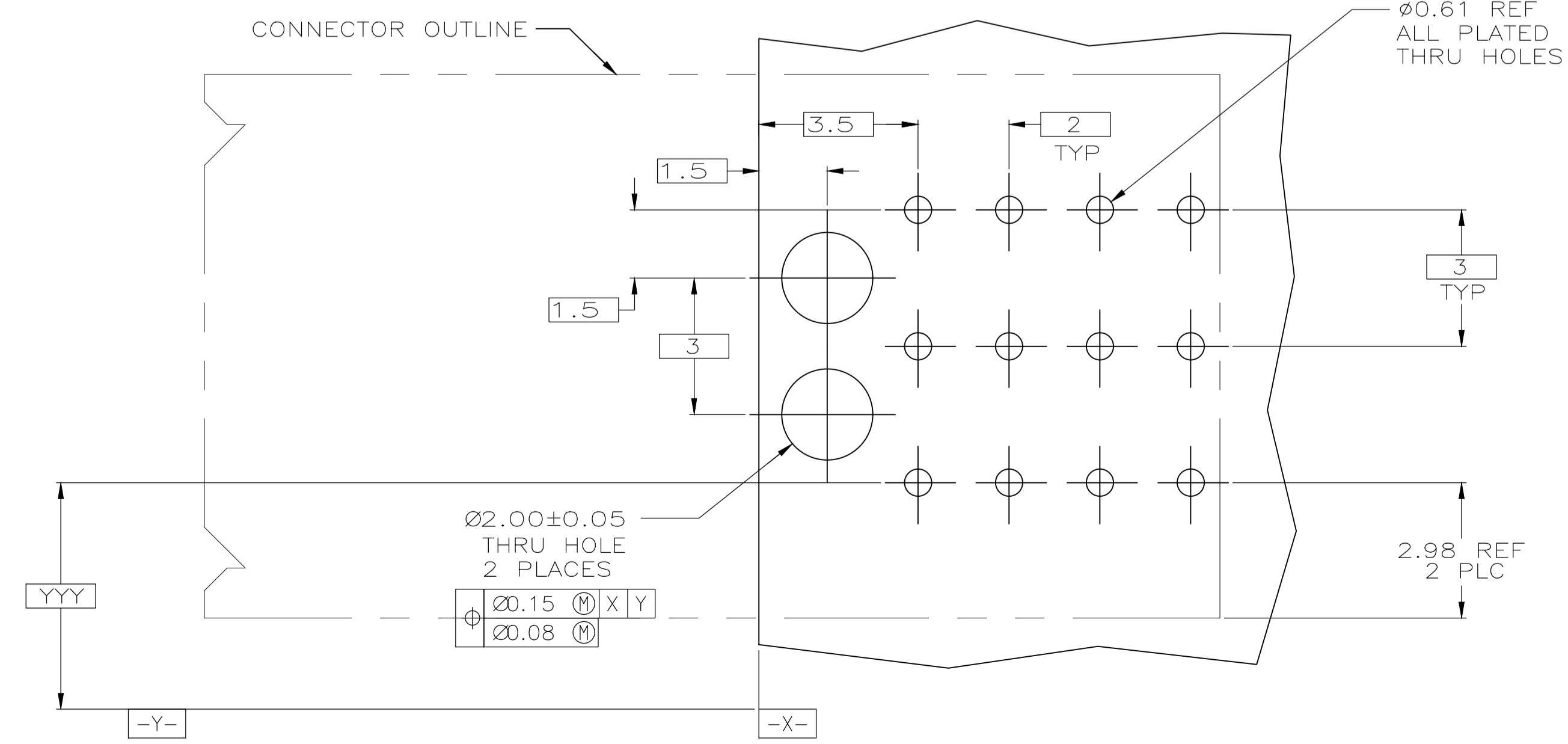
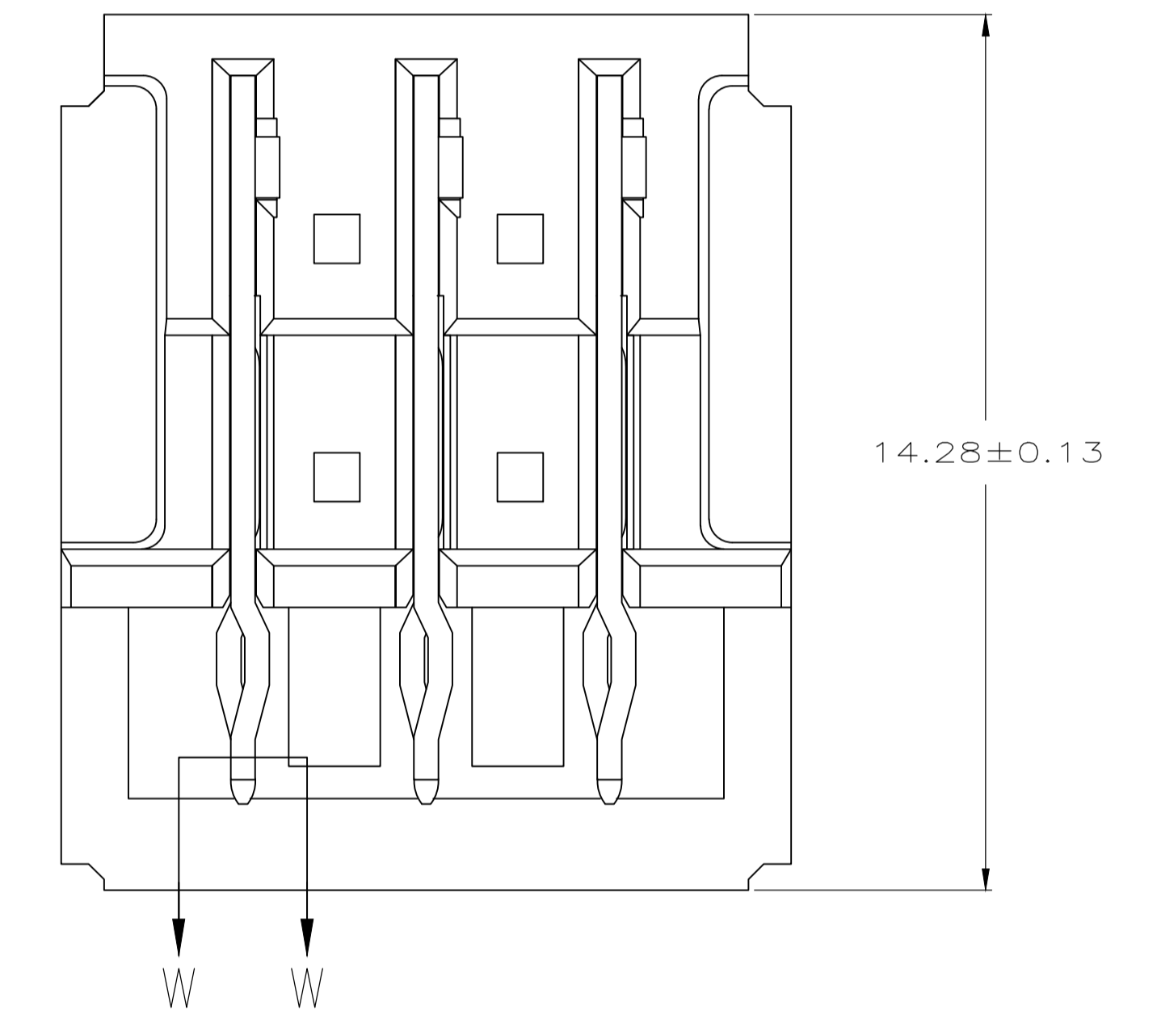
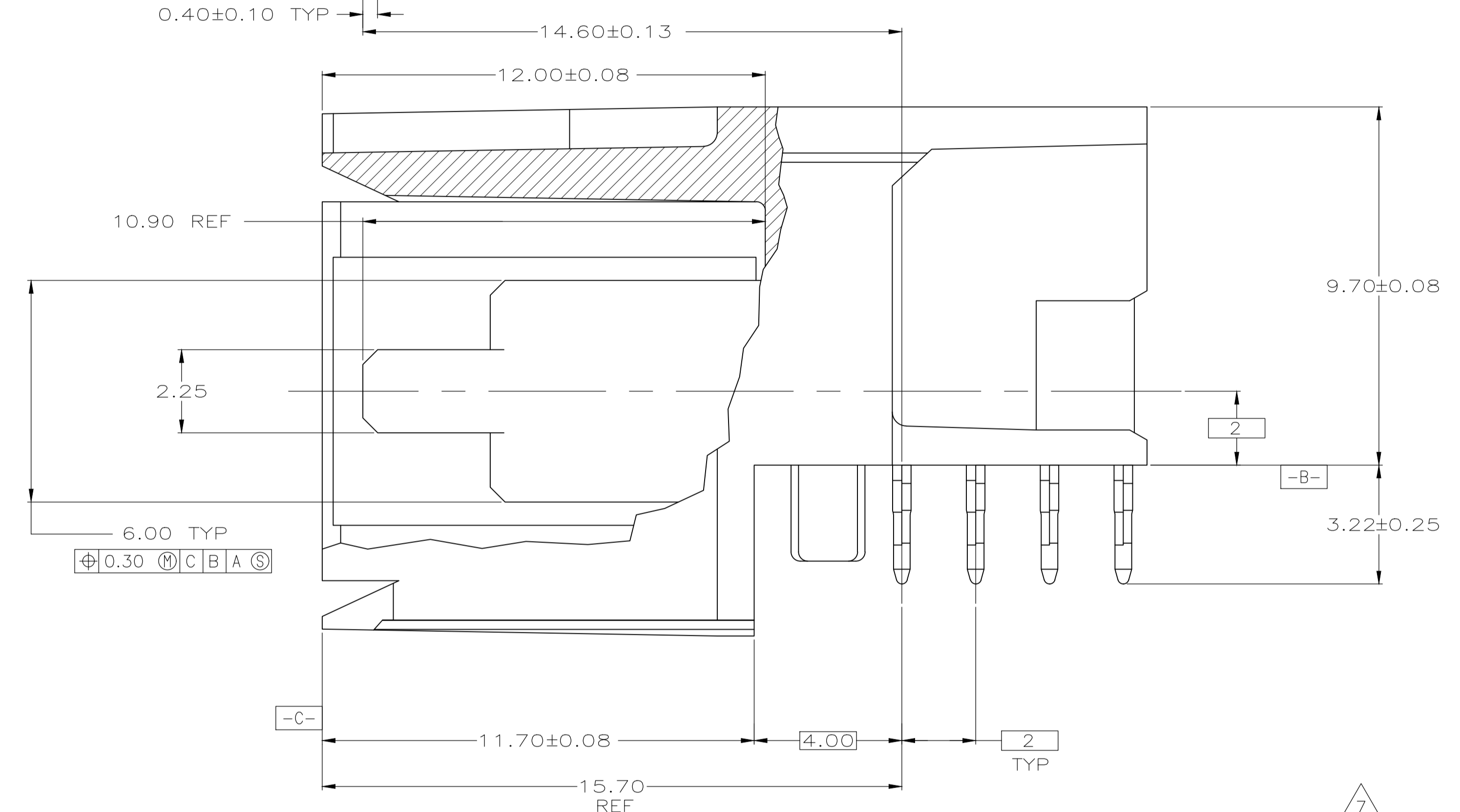
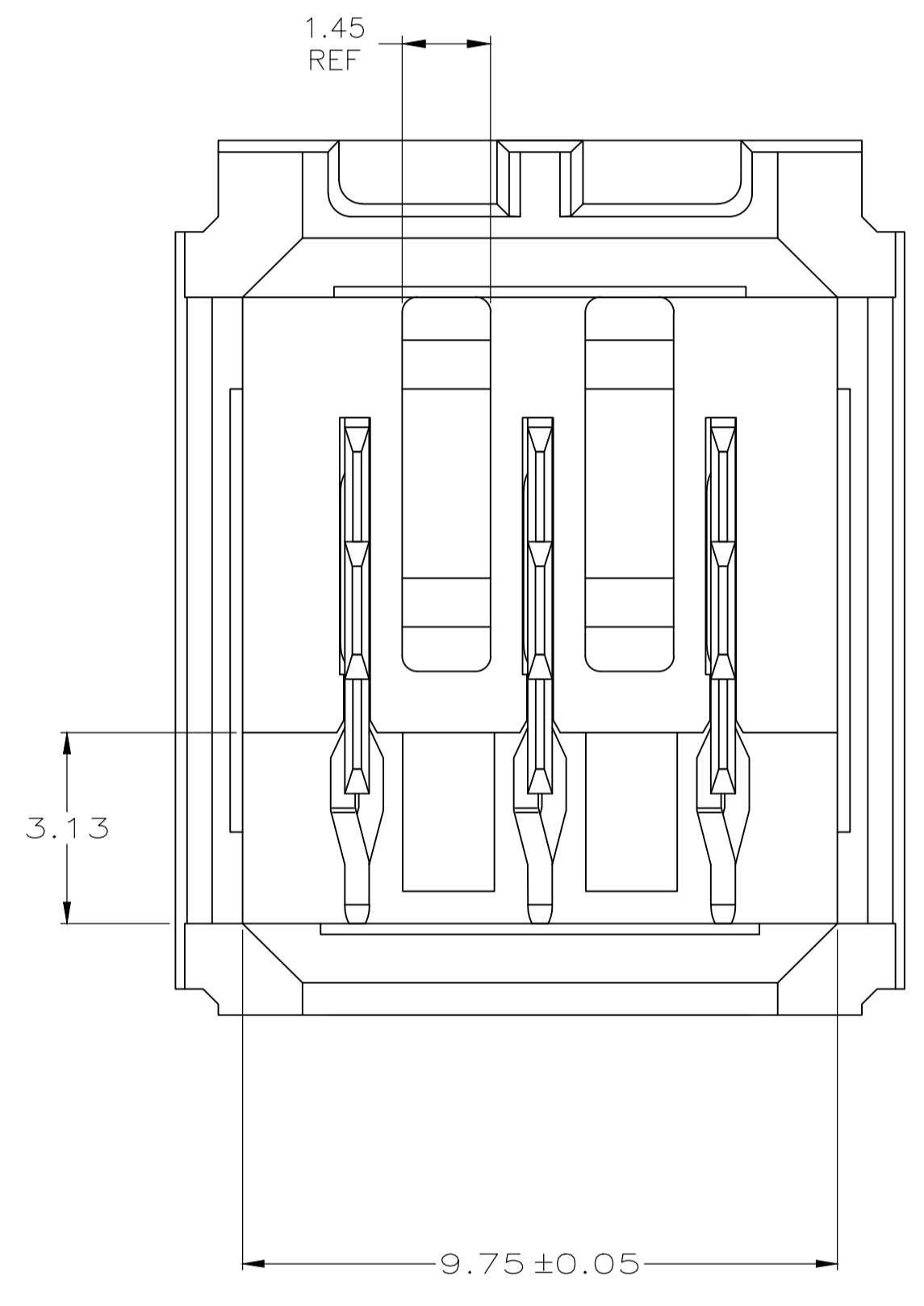


LOC	DIST	REVISIONS					
AD	00	REV	PER	ECO	DATE	BY	APPV
		C1	REV	PER	ECO-20-004668	03JUN2020	ML SZ



- 1 MATERIAL: HOUSING: POLYESTER. COLOR: GRAY. 94V-0 CONTACT: PHOSPHOR BRONZE.
- 2 FINISH: IN ACCORDANCE WITH PRODUCT SPECIFICATION 108-1651, GOLD PLATING OR EQUIVALENT PLATING ON PRODUCT CONTACT MATING AREA, AND MATTE TIN PLATING ON COMPLIANT PIN AREA, ALL OVER MATTE NICKEL UNDERPLATED. DETAIL PLEASE REFER TO PRODUCT SPECIFICATION 108-1651.
- 3 FINISH: CONTACT LUBRICATION WITH BELLCORE APPROVED LUBRICANT, TECHNICAL REFERENCE: TR-NWT-001217, ISSUE 1, SEPTEMBER 1992.
- 4 MATERIAL: HOUSING: LCP; COLOR: RED. 94V-0 CONTACT: PHOSPHOR BRONZE.
- 5 NUMBER "3" MARKED IN THIS AREA.
- 6 MATERIAL: HOUSING: POLYESTER. COLOR: GRAY. 94V-0 CONTACT: HIGH CURRENT COPPER ALLOY.
- 7 REFERENCE APPLICATION SPEC 114-1103 FOR RECOMMENDED PLATED THRU HOLE DIAMETER AND PLATING THICKNESS.
- 8 CURRENT RATING 10A/CONTACT FOR PHOS BRONZE CONTACTS AND 16A/CONTACT FOR HIGH CURRENT COPPER ALLOY CONTACTS PER PRODUCT SPEC 108-1651.
- 9 FINISH: 0.76µm GOLD PLATING ON CONTACT MATING AREA, AND 0.5µm MIN MATTE TIN PLATE ON ACTION PIN AREA, ALL OVER 1.27µm MIN NICKEL UNDERPLATE.



SECTION W-W
SCALE 40:1

DESCRIPTION	FINISH	MATERIAL	PART NUMBER
UPM HC 3P CONN	9, 3	6	5-5223961-1
UPM STD 3P CONN	2, 3	1, 3	5223961-8
UPM STD 3P CONN	2, 3	1	5223961-1

THIS DRAWING IS A CONTROLLED DOCUMENT.

DIMENSIONS: mm	TOLERANCES UNLESS OTHERWISE SPECIFIED:	DIN B CARBO 10DEC04	STE TE Connectivity
0 PLC ± -	1 PLC ± -	CHK R PATTERSON 10DEC04	NAME R PATTERSON
2 PLC ± 0.13	3 PLC ± -	APPV R PATTERSON 10DEC04	PRODUCT SPEC 108-1651
4 PLC ± -	ANGLES ± -	APPLICATION SPEC 114-1103	SIZE A1
MATERIAL SEE TABLE	FINISH SEE TABLE	WEIGHT -	CAGE CODE DRAWING NO 00779 C=5223961
CUSTOMER DRAWING		SCALE 10:1	SHEET 1 OF 1 REV C1

RECOMMENDED PCB HOLE LAYOUT