

Low-Voltage Single Asymmetrical SPDT Analog Switch

DESCRIPTION

The DG2020 is a single-pole/double-throw monolithic CMOS analog switch designed for high performance switching of analog signals. Combining low power, high speed, low on-resistance and small physical size, the DG2020 is ideal for portable and battery powered applications requiring high performance and efficient use of board space.

The DG2020 is built on Vishay Siliconix's low voltage J12 process. An epitaxial layer prevents latchup. Break-before-make is guaranteed.

The switch conducts equally well in both directions when on, and blocks up to the power supply level when off.

FEATURES

- Low voltage operation (2.7 V to 5.5 V)
- Low on-resistance - R_{ON}
 - NO = 0.8Ω
 - NC = 1.2Ω
- Low power consumption
- TTL/CMOS compatible
- TSOP-6 package

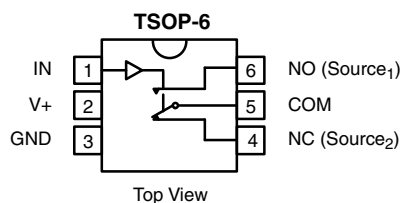
BENEFITS

- Reduced power consumption
- Simple logic interface
- High accuracy
- Reduce board space

APPLICATIONS

- Cellular phones
- Communication systems
- Portable test equipment
- Battery operated systems

FUNCTIONAL BLOCK DIAGRAM AND PIN CONFIGURATION



Device Marking: E3xxx

TRUTH TABLE

LOGIC	NC	NO
0	ON	OFF
1	OFF	ON

ORDERING INFORMATION

TEMP. RANGE	PACKAGE	PART NUMBER
- 40 °C to 85 °C	TSOP-6	DG2020DV

ABSOLUTE MAXIMUM RATINGS

PARAMETERS	CONDITIONS	LIMITS	UNIT
V+	Reference to GND	- 0.3 to 6	V
IN, COM, NC, NO ^a	Reference to GND	- 0.3 to (V+ + 0.3 V)	
Continuous Current (any terminal)	Reference to GND	± 50	mA
Peak Current (pulsed at 1 ms, 10 % duty cycle)	Reference to GND	± 200	
Storage Temperature (D suffix)	Reference to GND	- 65 to + 125	°C
TSOP-6 ^c	Power Dissipation (packages) ^b	570	mW

Notes

- Signals on NC, NO, or COM or IN exceeding V+ will be clamped by internal diodes. Limit forward diode current to maximum current ratings.
- All leads welded or soldered to PC board.
- Derate 7 mW/C above 25 °C.



SPECIFICATION (V+ = 3 V)									
PARAMETER	SYMBOL	TEST CONDITION	TEMP. ^a	LIMITS (- 40 °C TO 85 °C)			UNIT		
		UNLESS OTHERWISE SPECIFIED, V+ = 3 V, ± 10 %, VIN = 0.4 V or 2 V ^e		MIN. ^b	TYP. ^c	MAX. ^b			
Analog Signal Range ^d	V _{NO} , V _{NC} , V _{COM}		Full	0	-	V+	V		
On-Resistance	R _{ON(NO)}	V+ = 2.7 V, V _{COM} = 1.5 V, I _{NO} , I _{NC} = 100 mA	Room	-	1.4	2	Ω		
	R _{ON(NC)}		Full	-	1.5	2.1			
			Room	-	2.2	3.2			
			Full	-	2.3	3.3			
R _{ON} Flatness ^d	R _{ON(NO)} Flatness	V+ = 2.7 V, V _{COM} = 0 V to V+, I _{NO} , I _{NC} = 100 mA	Room	-	0.42	-			
Switch Off Leakage Current ^f	I _{NO(off)} , I _{NC(off)}	V+ = 3.3 V, V _{NO} , V _{NC} = 1 V/3 V, V _{COM} = 3 V/1 V	Room	- 2.3	-	2.3	nA		
			Full	- 60	-	60			
	I _{COM (off)}		Room	- 2.3	-	2.3			
			Full	- 60	-	60			
Channel-On Leakage Current ^f	I _{COM(on)}	V+ = 3.3 V, V _{NO} , V _{NC} = V _{COM} = 1 V/3 V	Room	- 2.3	-	2.3			
			Full	- 60	-	60			
Digital Control									
Input High Voltage	V _{INH}		Full	2	-	-	V		
Input Low Voltage	V _{INL}		Full	-	-	0.4	V		
Input Capacitance	C _{IN}		Full	-	3.7	-	pF		
Input Current	I _{NL} or I _{NH}	V _{IN} = 0 or V+	Full	1	-	1	μA		
Dynamic Characteristics									
Turn-On Time	t _{ON(NO)}	V _{NO} or V _{NC} = 2 V, R _L = 300 Ω, C _L = 35 pF	Room	-	6	10	μs		
			Full	-	-	11			
	t _{ON(NC)}		Room	-	5	7			
			Full	-	-	8			
Turn-Off Time	t _{OFF(NO)}		Room	-	2	5			
			Full	-	-	5.5			
	t _{OFF(NC)}		Room	-	2	4			
			Full	-	-	4.5			
Break-Before-Make Time	t _d	V _{NO} or V _{NC} = 2 V, R _L = 300 Ω, C _L = 35 pF	Full	1	3	-			
Charge Injection ^d	Q _{INJ}	C _L = 1 nF, V _{GEN} = 0 V, R _{GEN} = 0 Ω	Room	-	1	-	pC		
Off-Isolation ^d	Q _{IRR}	R _L = 50 Ω, C _L = 5 pF, f = 1 MHz	Room	-	- 52	-	dB		
Crosstalk ^d	X _{TALK}		Room	-	- 53	-			
NO, NC Off Capacitance ^d	t _{ON(NO)}	V _{IN} = 0 or V+, f = 1 MHz	Room	-	75	-	pF		
	t _{ON(NC)}		Room	-	34	-			
Channel-On Capacitance ^d	t _{OFF(NO)}		Room	-	88	-			
	t _{OFF(NC)}		Room	-	95	-			
Power Supply									
Power Supply Range	V+			-	2.7	-		3.3	V
Power Supply Current	I+	V _{IN} = 0 or V+	Full	-	0.2	1	μA		
Power Consumption	P _C		Full	-	-	3.3	μW		

Notes

- a. Room = 25 °C, Full = as determined by the operating suffix.
- b. Typical values are for design aid only, not guaranteed nor subject to production testing.
- c. The algebraic convention whereby the most negative value is a minimum and the most positive a maximum, is used in this datasheet.
- d. Guarantee by design, nor subjected to production test.
- e. V_{IN} = input voltage to perform proper function.
- f. Guaranteed by 5 V leakage testing, not production tested.



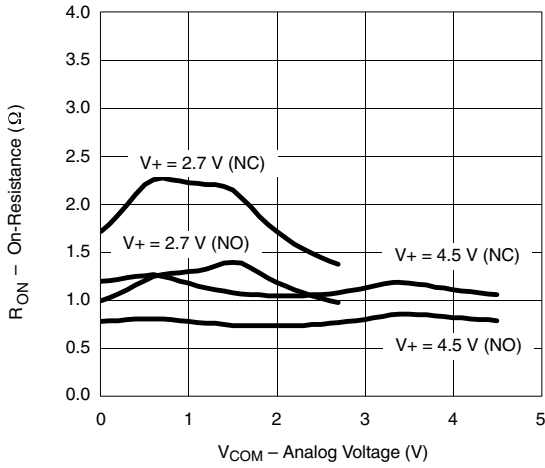
SPECIFICATION (V+ = 5 V)							
PARAMETER	SYMBOL	TEST CONDITION	TEMP. ^a	LIMITS (- 40 °C TO 85 °C)			UNIT
		UNLESS OTHERWISE SPECIFIED, V+ = 5 V, ± 10 %, VIN = 0.8 V or 2.4 V ^e		MIN. ^b	TYP. ^c	MAX. ^b	
Analog Signal Range ^d	V _{NO} , V _{NC} , V _{COM}		Full	0	-	V+	V
On-Resistance	R _{ON(NO)}	V+ = 4.5 V, V _{COM} = 3 V, I _{NO} , I _{NC} = 100 mA	Room	-	0.8	1.1	Ω
	R _{ON(NC)}		Full	-	0.9	1.2	
			Room	-	1.2	1.6	
			Full	-	1.3	1.7	
R _{ON} Flatness ^d	R _{ON(NO)} Flatness	V+ = 4.5 V, V _{COM} = 0 V to V+, I _{NO} , I _{NC} = 100 mA	Room	-	0.13	-	
Switch Off Leakage Current	I _{NO(off)} , I _{NC(off)}	V+ = 5.5 V, V _{NO} , V _{NC} = 1 V/4.5 V, V _{COM} = 4.5 V/1 V	Room	- 5.3	-	5.3	nA
	I _{COM (off)}		Full	- 98	-	98	
			Room	- 5.3	-	5.3	
			Full	- 98	-	98	
Channel-On Leakage Current	I _{COM(on)}	V+ = 5.5 V, V _{NO} , V _{NC} = V _{COM} = 1 V/4.5 V	Room	- 5.3	-	5.3	
			Full	- 98	-	98	
Digital Control							
Input High Voltage	V _{INH}		Full	2.4	-	-	V
Input Low Voltage	V _{INL}		Full	-	-	0.8	V
Input Capacitance	C _{IN}		Full	-	3.5	-	pF
Input Current	I _{NL} or I _{NH}	V _{IN} = 0 or V+	Full	1	-	1	μA
Dynamic Characteristics							
Turn-On Time	t _{ON(NO)}	V _{NO} or V _{NC} = 3 V, R _L = 300 Ω, C _L = 35 pF	Room	-	3	6	μs
	t _{ON(NC)}		Full	-	-	6.5	
Turn-Off Time			t _{OFF(NO)}	Room	-	2	
	Full			-	-	5.5	
	t _{OFF(NC)}		Room	-	1	4	
			Full	-	-	4.5	
			Room	-	1	3	
			Full	-	-	3.5	
Break-Before-Make Time	t _d	V _{NO} or V _{NC} = 3 V, R _L = 300 Ω, C _L = 35 pF	Full	0.3	1.5	-	
Charge Injection ^d	Q _{INJ}	C _L = 1 nF, V _{GEN} = 0 V, R _{GEN} = 0 Ω	Room	-	5	-	pC
Off-Isolation ^d	Q _I RR	R _L = 50 Ω, C _L = 5 pF, f = 1 MHz	Room	-	- 53	-	dB
Crosstalk ^d	X _{TALK}		Room	-	- 54	-	
NO, NC Off Capacitance ^d	t _{ON(NO)}	V _{IN} = 0 or V+, f = 1 MHz	Room	-	65	-	pF
	t _{ON(NC)}		Room	-	32	-	
Channel-On Capacitance ^d	t _{OFF(NO)}		Room	-	90	-	
	t _{OFF(NC)}		Room	-	95	-	
			Room	-	95	-	
			Room	-	95	-	
Power Supply							
Power Supply Range	V+			4.5	-	5.5	V
Power Supply Current	I+	V _{IN} = 0 or V+	Full	-	0.2	1	μA
Power Consumption	P _C		Full	-	-	5.5	μW

Notes

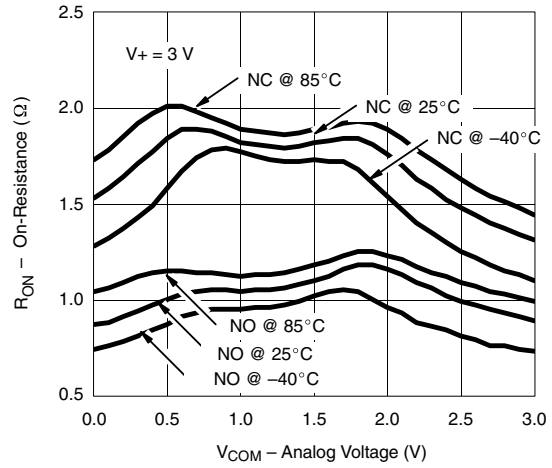
- a. Room = 25 °C, Full = as determined by the operating suffix.
- b. Typical values are for design aid only, not guaranteed nor subject to production testing.
- c. The algebraic convention whereby the most negative value is a minimum and the most positive a maximum, is used in this datasheet.
- d. Guarantee by design, nor subjected to production test.
- e. V_{IN} = input voltage to perform proper function.
- f. Guaranteed by 5 V leakage testing, not production tested..



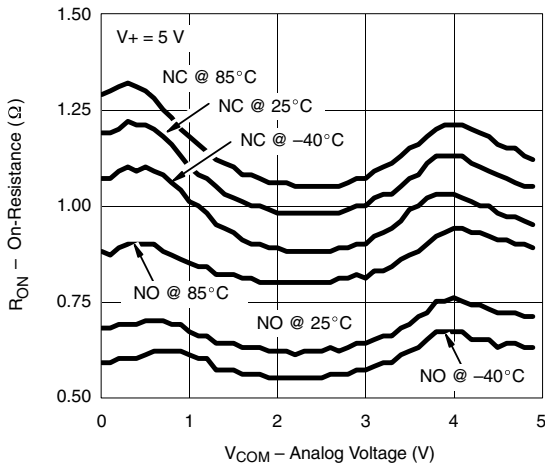
TYPICAL CHARACTERISTICS (T_A = 25 °C, unless otherwise noted)



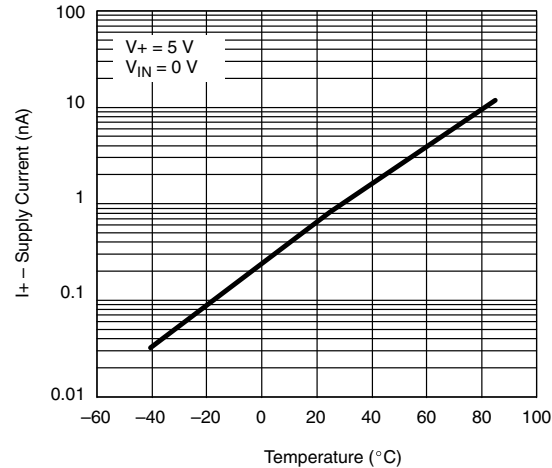
R_{ON} vs. V_{COM} and Supply Voltage



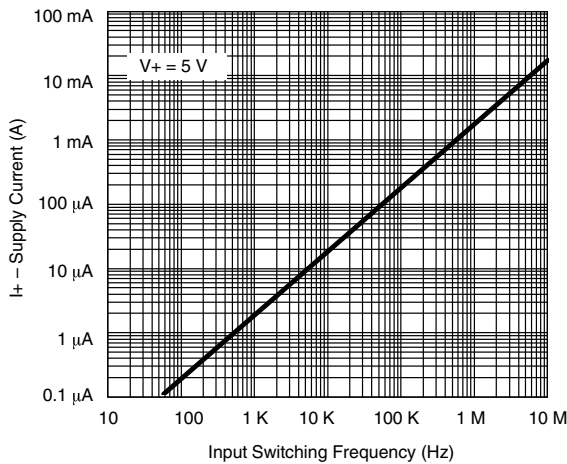
R_{ON} vs. Analog Voltage and Temperature



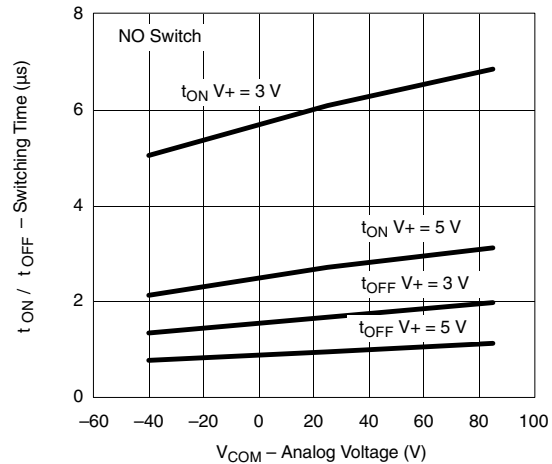
R_{ON} vs. Analog Voltage and Temperature



Supply Current vs. Temperature

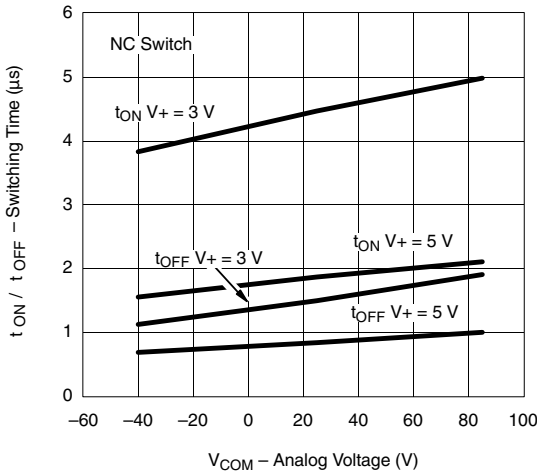


Supply Current vs. Input Switching Frequency

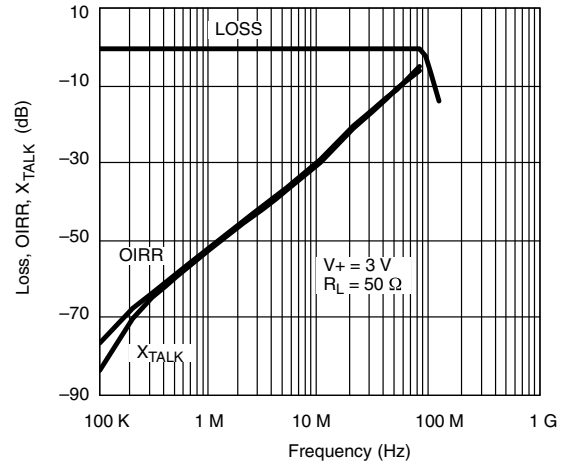


Switching Time vs. Temperature and Supply Voltage

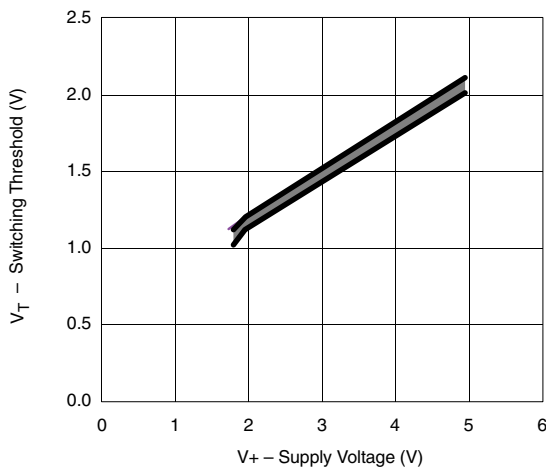
TYPICAL CHARACTERISTICS ($T_A = 25\text{ }^\circ\text{C}$, unless otherwise noted)



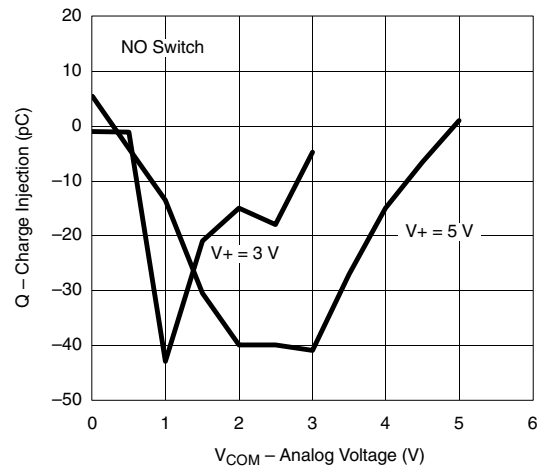
Switching Time vs. Temperature and Supply Voltage



Insertion Loss, Off-Isolation Crosstalk vs. Frequency

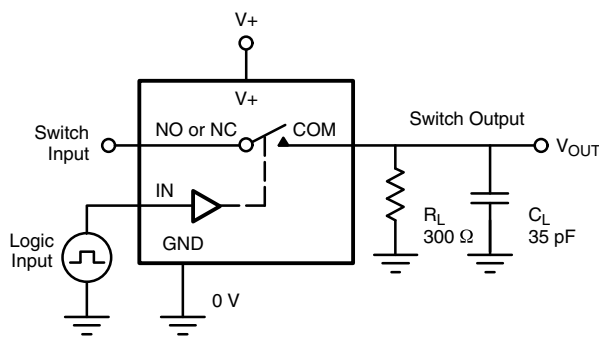


Switching Threshold vs. Supply Voltage



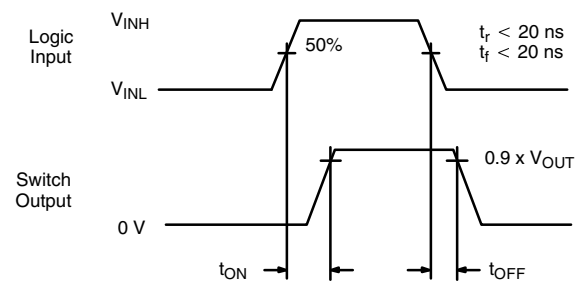
Charge Injection vs. Analog Voltage

TEST CIRCUITS



C_L (includes fixture and stray capacitance)

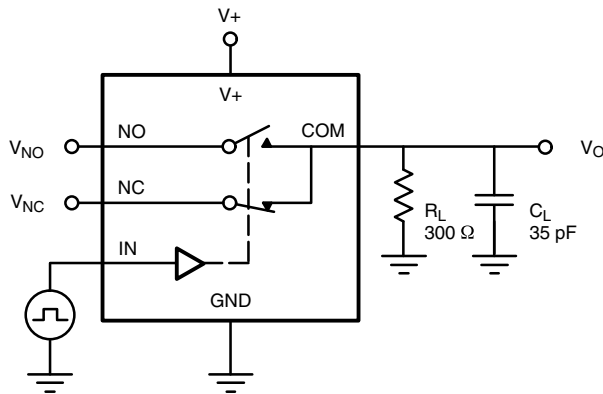
$$V_{OUT} = V_{COM} \left(\frac{R_L}{R_L + R_{ON}} \right)$$



Logic "1" = Switch On
Logic input waveforms inverted for switches that have the opposite logic sense.

Fig. 1 - Switching Time

TEST CIRCUITS



C_L (includes fixture and stray capacitance)

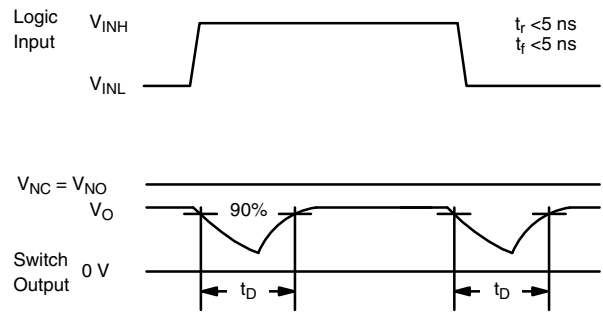
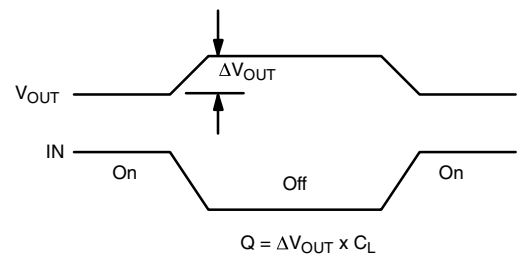
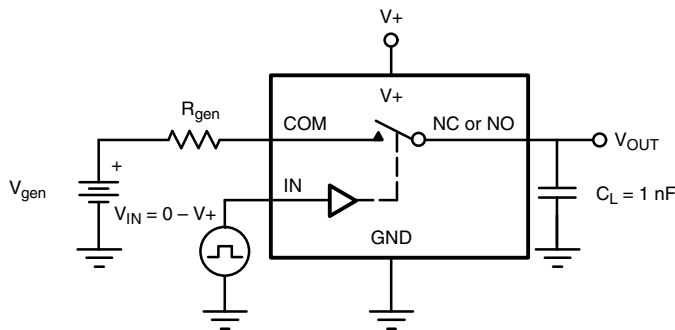


Fig. 2 - Break-Before-Make Interval



IN depends on switch configuration: input polarity determined by sense of switch.

Fig. 3 - Charge Injection

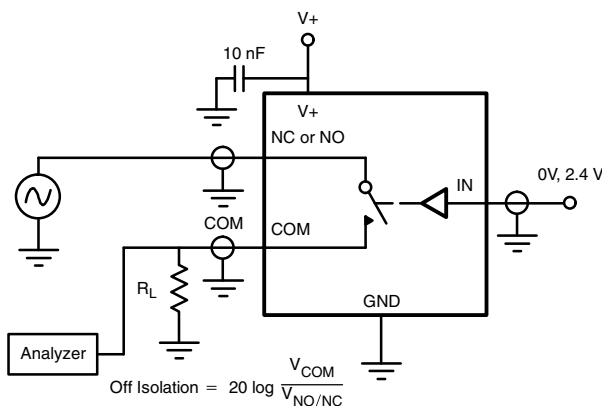


Fig. 4 - Off-Isolation

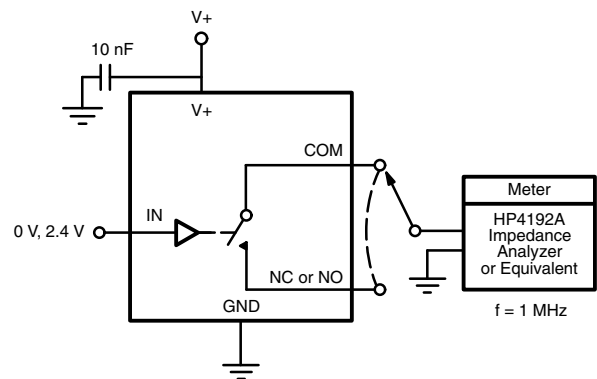


Fig. 5 - Channel off/on Capacitance

Vishay Siliconix maintains worldwide manufacturing capability. Products may be manufactured at one of several qualified locations. Reliability data for Silicon Technology and Package Reliability represent a composite of all qualified locations. For related documents such as package/tape drawings, part marking, and reliability data, see www.vishay.com/ppg?71676.

TSOP: 5/6-LEAD

JEDEC Part Number: MO-193C



5-LEAD TSOP



6-LEAD TSOP



Dim	MILLIMETERS			INCHES		
	Min	Nom	Max	Min	Nom	Max
A	0.91	-	1.10	0.036	-	0.043
A₁	0.01	-	0.10	0.0004	-	0.004
A₂	0.90	-	1.00	0.035	0.038	0.039
b	0.30	0.32	0.45	0.012	0.013	0.018
c	0.10	0.15	0.20	0.004	0.006	0.008
D	2.95	3.05	3.10	0.116	0.120	0.122
E	2.70	2.85	2.98	0.106	0.112	0.117
E₁	1.55	1.65	1.70	0.061	0.065	0.067
e	0.95 BSC			0.0374 BSC		
e₁	1.80	1.90	2.00	0.071	0.075	0.079
L	0.32	-	0.50	0.012	-	0.020
L₁	0.60 Ref			0.024 Ref		
L₂	0.25 BSC			0.010 BSC		
R	0.10	-	-	0.004	-	-
θ	0°	4°	8°	0°	4°	8°
θ₁	7° Nom			7° Nom		
ECN: C-06593-Rev. I, 18-Dec-06						
DWG: 5540						



Recommended Land Pattern For TSOP-5L / TSOP-6L



Note

- All dimensions are in inches (millimeter)

ECN: C22-0860-Rev. B, 24-Oct-2022
 DWG: 3010



Disclaimer

ALL PRODUCT, PRODUCT SPECIFICATIONS AND DATA ARE SUBJECT TO CHANGE WITHOUT NOTICE TO IMPROVE RELIABILITY, FUNCTION OR DESIGN OR OTHERWISE.

Vishay Intertechnology, Inc., its affiliates, agents, and employees, and all persons acting on its or their behalf (collectively, "Vishay"), disclaim any and all liability for any errors, inaccuracies or incompleteness contained in any datasheet or in any other disclosure relating to any product.

Vishay makes no warranty, representation or guarantee regarding the suitability of the products for any particular purpose or the continuing production of any product. To the maximum extent permitted by applicable law, Vishay disclaims (i) any and all liability arising out of the application or use of any product, (ii) any and all liability, including without limitation special, consequential or incidental damages, and (iii) any and all implied warranties, including warranties of fitness for particular purpose, non-infringement and merchantability.

Statements regarding the suitability of products for certain types of applications are based on Vishay's knowledge of typical requirements that are often placed on Vishay products in generic applications. Such statements are not binding statements about the suitability of products for a particular application. It is the customer's responsibility to validate that a particular product with the properties described in the product specification is suitable for use in a particular application. Parameters provided in datasheets and / or specifications may vary in different applications and performance may vary over time. All operating parameters, including typical parameters, must be validated for each customer application by the customer's technical experts. Product specifications do not expand or otherwise modify Vishay's terms and conditions of purchase, including but not limited to the warranty expressed therein.

Hyperlinks included in this datasheet may direct users to third-party websites. These links are provided as a convenience and for informational purposes only. Inclusion of these hyperlinks does not constitute an endorsement or an approval by Vishay of any of the products, services or opinions of the corporation, organization or individual associated with the third-party website. Vishay disclaims any and all liability and bears no responsibility for the accuracy, legality or content of the third-party website or for that of subsequent links.

Except as expressly indicated in writing, Vishay products are not designed for use in medical, life-saving, or life-sustaining applications or for any other application in which the failure of the Vishay product could result in personal injury or death. Customers using or selling Vishay products not expressly indicated for use in such applications do so at their own risk. Please contact authorized Vishay personnel to obtain written terms and conditions regarding products designed for such applications.

No license, express or implied, by estoppel or otherwise, to any intellectual property rights is granted by this document or by any conduct of Vishay. Product names and markings noted herein may be trademarks of their respective owners.