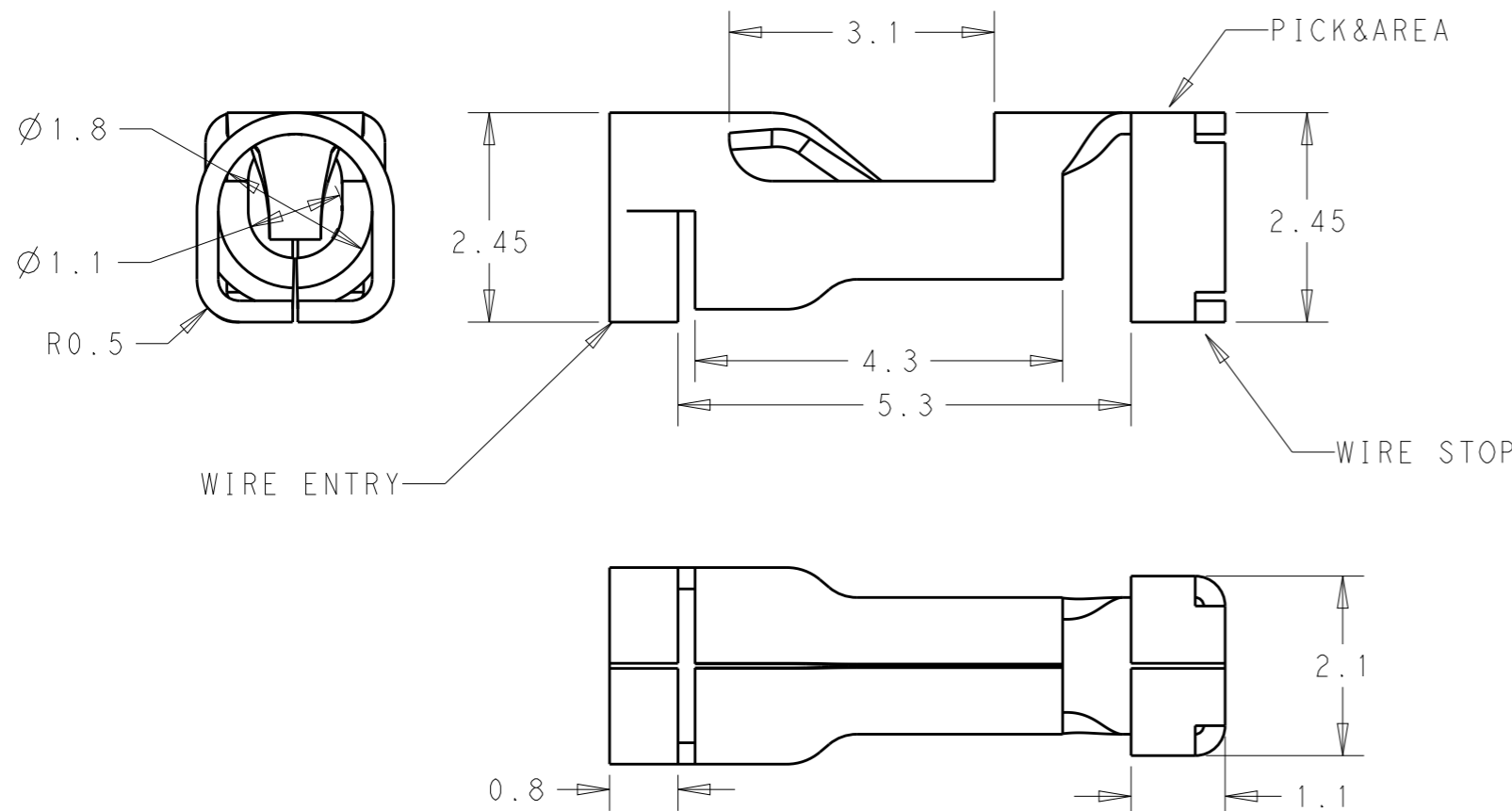
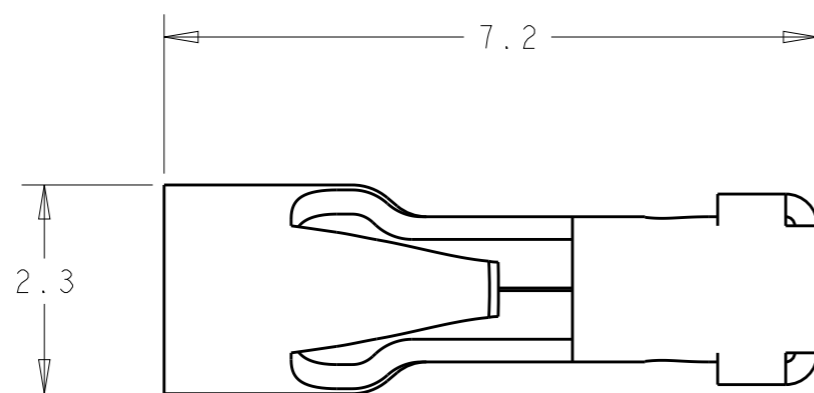


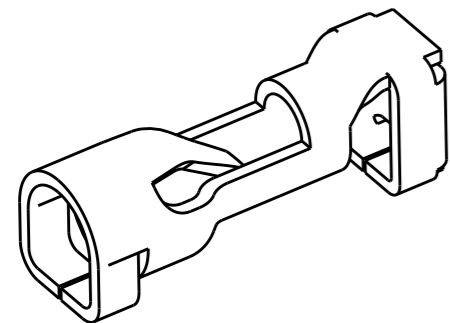
THIS DRAWING IS UNPUBLISHED. RELEASED FOR PUBLICATION 20
© COPYRIGHT 20 BY - ALL RIGHTS RESERVED.

REVISIONS					
P	LTR	DESCRIPTION	DATE	DWN	APVD
	A	ECR-15-012172, RELEASE PRODUCTION VERSION	17AUG2015	GF	SM
	A1	ECR-15-012489, UPDATE NOTE DESCRIPTION	24AUG2015	GF	SM
	A2	ECR-19-000812 UPDATE PCB LAYOUT	17JAN2019	G.F	S.M



SCALE 12:1

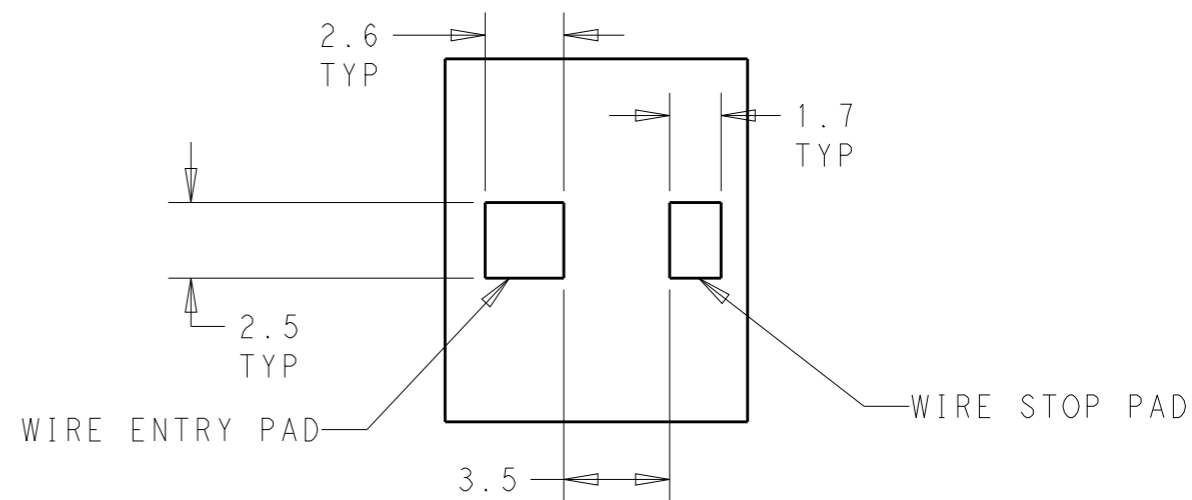
P/N: 2834010-3



P/N: 2834010-3

NOTES :

- 1. MATERIALS AND FINISH:
- CONTACTS: COPPER ALLOY, FINISH: TIN OVER NICKEL UNDERPLATE
- 2. MUST COMPLY WITH DIRECTIVE 2002/95/EC (ROHS)
- 3. WIRE TYPES AND SIZES ACCEPTED
WIRE SIZE: 20AWG SOLID & STRANDED(CONDUCTOR NO:7)
22AWG SOLID & STRANDED(CONDUCTOR NO:7)
24AWG SOLID
TIN-DIPPED FOR ALL STRANDED WIRE
MAX INSULATION OD: 1.75mm MAX.
STRIP LENGTH: 5.5+/-0.3mm
- 4. PACKAGED IN TAPE AND REEL



RECOMMENDED PCB LAYOUT

THIS DRAWING IS A CONTROLLED DOCUMENT.		DWN GEORGE FU 24AUG2015	TE Connectivity		
DIMENSIONS: mm		CHK SHI MING 24AUG2015			
TOLERANCES UNLESS OTHERWISE SPECIFIED:		APVD XU XIANG 24AUG2015	NAME SLIM CONTACT		
0 PLC ±-		PRODUCT SPEC 108-137049	RESTRICTED TO		
1 PLC ±0.20		APPLICATION SPEC 114-137049	SIZE A3	CAGE CODE -	DRAWING NO C=2834010
2 PLC ±0.13		WEIGHT -	SCALE 10:1 SHEET 1 OF 1 REV A2		
3 PLC ±		CUSTOMER DRAWING			
4 PLC ±					
ANGLES ±					
FINISH					