

# C3216CH2E562K115AA

TDK Item Description : C3216CH2E562KT\*\*\*\*

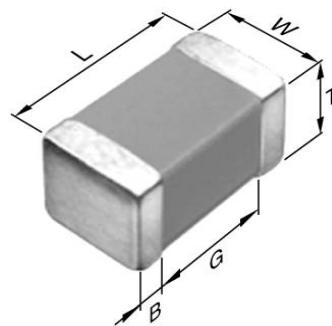


## Application & Main Feature

Commercial Grade ( Mid Voltage (100 to 630V) )

## Series

C3216 [EIA CC1206]



## Dimensions

L 3.20mm +/-0.2mm  
 W 1.60mm +/-0.2mm  
 T 1.15mm +/-0.15mm  
 B 0.20mm Min.  
 G 1.00mm Min.

## Temperature Characteristic

CH (-25 to 85 degC 0+/-60ppm/degC)

## Rated Voltage

2E (250Vdc)

## Capacitance

5.6nF

## Capacitance Tolerance

K (+/-10%)

## Q Factor

1000 Min.

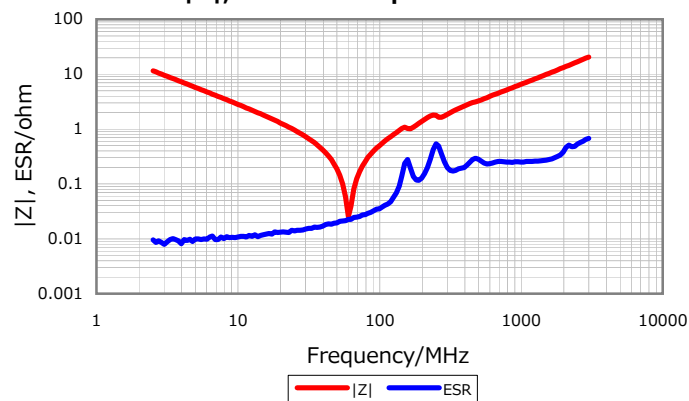
## Insulation Resistance

10Gohm Min.

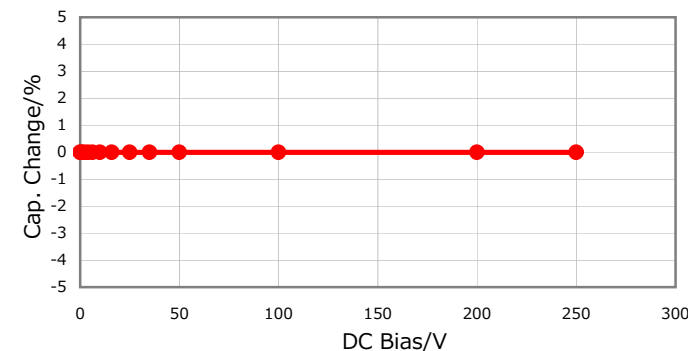
## AEC-Q200

Not Applicable

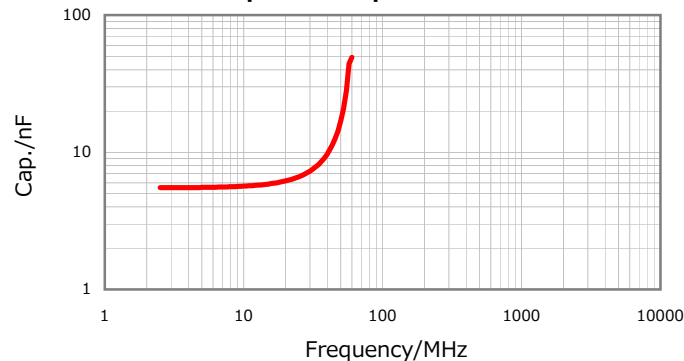
**|Z|, ESR vs. Freq. Characteristics**



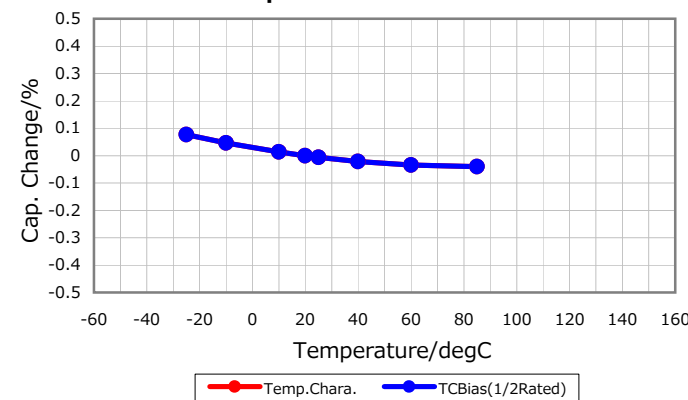
**DC Bias Characteristic**



**Cap. vs. Freq. Characteristic**



**Temperature Characteristics**



Characterization Sheet ( Multilayer Ceramic Chip Capacitors )



All specifications are subject to change without notice.

January 3, 2016