

FEATURES

- 118 dB DAC dynamic range
- 98 dB THD + N
- Differential voltage DAC output
- 2.5 V digital, 5 V analog, and 3.3 V or 5 V input/output supplies
- 421 mW total quiescent power dissipation
- PLL generated or direct master clock
- Low EMI design
- Linear regulator driver to generate digital supply
- Supports 24-bit and 32 kHz to 192 kHz sample rates
- Low propagation 192 kHz sample rate mode
- Log volume control with autoramp function
- Temperature sensor with digital readout: $\pm 3^{\circ}\text{C}$ accuracy
- SPI and I²C controllable for flexibility
- Software-controllable clickless mute
- Software power-down
- Right justified, left justified, I²S, and TDM modes
- Master and slave modes with up to 12-channel input/output
- 80-lead LQFP package
- Qualified for automotive applications

APPLICATIONS

- Automotive audio systems
- Home theater systems
- Digital audio effects processors

GENERAL DESCRIPTION

The ADAU1962 is a high performance, single chip, digital-to-analog converter (DAC) that provides 12 DACs with differential outputs using the Analog Devices, Inc., patented multibit sigma-delta (Σ - Δ) architecture. A SPI/I²C port is included, allowing a microcontroller to adjust volume and many other parameters. The ADAU1962 operates from 2.5 V digital, 5 V analog and 3.3 V or 5 V input/output supplies. A linear regulator is included to generate the digital supply voltage from the analog supply voltage.

The ADAU1962 is designed for low electromagnetic interference (EMI), evident in both the system and circuit design architectures. By using the on-board phase-locked loop (PLL) to derive the internal master clock from an external left right frame clock (LRCLK)/frame clock, the ADAU1962 eliminates the need for a separate high frequency master clock and can be used with or without a bit clock. The DACs are designed using the latest Analog Devices continuous time architectures to further minimize EMI. By using 2.5 V digital supplies, power consumption is minimized and the digital waveforms are of a smaller amplitude, further reducing emissions.

The ADAU1962 is available in an 80-lead LQFP package. Note that throughout this data sheet, multifunction pins, such as SCLK/SCL/SA, are referred to by the entire pin name or by a single function of the pin, for example, SCLK, when only that function is relevant.

FUNCTIONAL BLOCK DIAGRAM

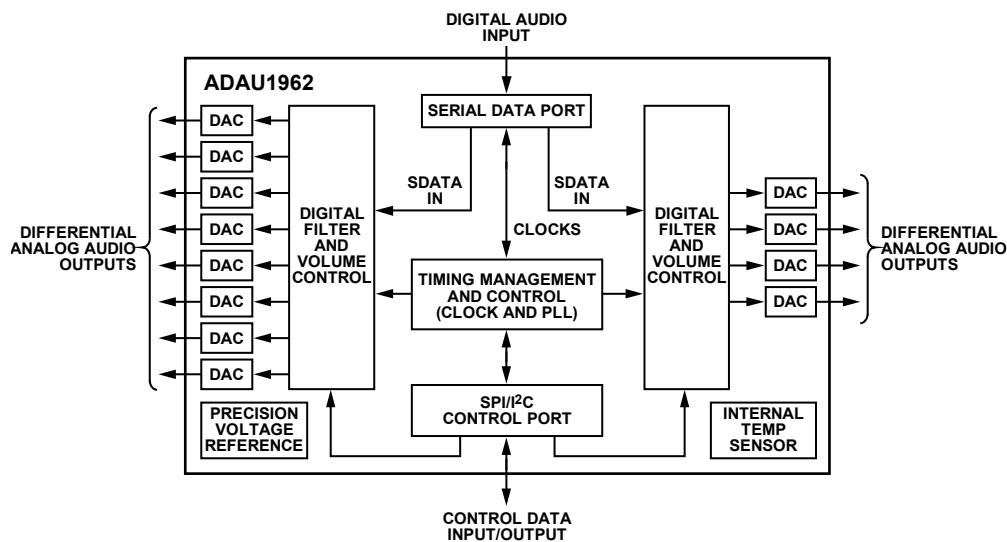


Figure 1.

11862-001

Rev. A

Document Feedback

Information furnished by Analog Devices is believed to be accurate and reliable. However, no responsibility is assumed by Analog Devices for its use, nor for any infringements of patents or other rights of third parties that may result from its use. Specifications subject to change without notice. No license is granted by implication or otherwise under any patent or patent rights of Analog Devices. Trademarks and registered trademarks are the property of their respective owners.

One Technology Way, P.O. Box 9106, Norwood, MA 02062-9106, U.S.A.
 Tel: 781.329.4700 ©2013–2016 Analog Devices, Inc. All rights reserved.
 Technical Support www.analog.com

TABLE OF CONTENTS

Features	1	PLL and Clock Control 1 Register	26
Applications.....	1	Block Power-Down and Thermal Sensor Control 1 Register	27
General Description	1	Power-Down Control 2 Register	28
Functional Block Diagram	1	Power-Down Control 3 Register	29
Revision History	2	Thermal Sensor Temperature Readout Register	29
Specifications.....	3	DAC Control 0 Register	30
Analog Performance Specifications	3	DAC Control 1 Register	31
Crystal Oscillator Specifications.....	4	DAC Control 2 Register	32
Digital Input/Output Specifications.....	5	DAC Individual Channel Mutes 1 Register	33
Power Supply Specifications.....	5	DAC Individual Channel Mutes 2 Register	34
Digital Filters.....	6	Master Volume Control Register.....	35
Timing Specifications	6	DAC1 Volume Control Register.....	35
Absolute Maximum Ratings	8	DAC2 Volume Control Register.....	36
Thermal Resistance	8	DAC3 Volume Control Register.....	36
ESD Caution.....	8	DAC4 Volume Control Register.....	37
Pin Configuration and Function Descriptions.....	9	DAC5 Volume Control Register.....	37
Typical Performance Characteristics	12	DAC6 Volume Control Register.....	38
Test Circuits.....	13	DAC7 Volume Control Register.....	38
Theory of Operation	14	DAC8 Volume Control Register.....	39
Digital-to-Analog Converters (DACs)	14	DAC9 Volume Control Register.....	39
Clock Signals	15	DAC10 Volume Control Register.....	40
Power-Up and Reset.....	16	DAC11 Volume Control Register.....	40
Standalone Mode.....	16	DAC12 Volume Control Register.....	41
I ² C Control Port.....	16	Common Mode and Pad Strength Register	41
Serial Control Port: SPI Mode	19	DAC Power Adjust 1 Register.....	42
Power Supply and Voltage Reference.....	20	DAC Power Adjust 2 Register.....	43
Serial Data Ports—Data Format.....	20	DAC Power Adjust 3 Register.....	44
Time Division Multiplexed (TDM) Modes.....	20	Packaging and Ordering Information	48
Temperature Sensor	22	Outline Dimensions.....	48
Additional Modes.....	23	Ordering Guide	48
Register Summary	24	Automotive Products.....	48
Register Details	25		
PLL and Clock Control 0 Register	25		

REVISION HISTORY

3/16—Rev. 0 to Rev. A	
Changes to Table 4.....	5

12/13—Revision 0: Initial Version

SPECIFICATIONS

Performance of all channels is identical, exclusive of the interchannel gain mismatch and interchannel phase deviation specifications. Master clock = 12.288 MHz (48 kHz f_s , $256 \times f_s$ mode), input sample rate = 48 kHz, measurement bandwidth = 20 Hz to 20 kHz, word width = 24 bits, load capacitance (digital output) = 20 pF, load current (digital output) = ± 1 mA or $1.5 \text{ k}\Omega$ to $\frac{1}{2}$ DVDD supply, input voltage high = 2.0 V, input voltage low = 0.8 V, analog audio output resistive load = $3100 \text{ }\Omega$ per pin, unless otherwise noted.

ANALOG PERFORMANCE SPECIFICATIONS

Specifications guaranteed at AVDDx = 5 V, DVDD = 2.5 V, and an ambient temperature¹ (T_A) at 25°C, unless otherwise noted.

Table 1.

Parameter	Test Conditions/Comments	Min	Typ	Max	Unit
DIGITAL-TO-ANALOG CONVERTERS					
Dynamic Range	20 Hz to 20 kHz, –60 dB input	105	115.5		dB
No Filter (RMS)					
With A-Weighted Filter (RMS)		108	118		dB
Total Harmonic Distortion + Noise (THD + N)	Two channels running, –1 dBFS		–98	–85	dB
	All channels running, –1 dBFS		–98	–85	dB
Full-Scale Differential Output Voltage			3.00 (8.48)		V rms (V p-p)
Gain Error		–10		+10	%
Offset Error		–25	–6	+25	mV
Gain Drift		–30		+30	ppm/°C
Interchannel Isolation			100		dB
Interchannel Phase Deviation			0		Degrees
Volume Control					
Step			0.375		dB
Range			95.25		dB
De-Emphasis Gain Error				± 0.6	dB
Output Resistance at Each Pin			33		Ω
REFERENCE VOLTAGES					
Temperature Sensor Reference Voltage	TS_REF pin		1.50		V
Common-Mode Reference Output	CM pin	2.14	2.25	2.29	V
External Reference Voltage Source	CM pin	2.14	2.25	2.29	V
TEMPERATURE SENSOR					
Temperature Accuracy		–3		+3	°C
Temperature Readout					
Range		–60		+140	°C
Step Size			1		°C
Temperature Sample Rate		0.25		6	Hz
REGULATOR					
Input Supply Voltage	VSUPPLY pin	3.0	5	5.5	V
Regulated Output Voltage	VSENSE pin	2.26	2.50	2.59	V

¹ Functionally guaranteed at –40°C to +125°C case temperature.

Specifications guaranteed at AVDDx = 5 V, DVDD = 2.5 V, and an ambient temperature¹ (T_A) at 105°C, unless otherwise noted.

Table 2.

Parameter	Test Conditions/Comments	Min	Typ	Max	Unit
DIGITAL-TO-ANALOG CONVERTERS					
Dynamic Range	20 Hz to 20 kHz, -60 dB input	109	113.5		dB
No Filter (RMS)					
With A-Weighted Filter (RMS)		110.5	116		dB
Total Harmonic Distortion + Noise (THD + N)	Two channels running, -1 dBFS		-92.5	-85	dB
	All channels running, -1 dBFS		-92.5	-85	dB
Full-Scale Differential Output Voltage			3.00 (8.48)		V rms (V p-p)
Gain Error		-10		+10	%
Offset Error		-25	-6	+25	mV
Gain Drift		-30		+30	ppm/°C
Interchannel Isolation			100		dB
Interchannel Phase Deviation			0		Degrees
Volume Control					
Step			0.375		dB
Range			95.25		dB
De-Emphasis Gain Error				±0.6	dB
Output Resistance at Each Pin			33		Ω
REFERENCE					
Temperature Sensor Reference Voltage	TS_REF pin		1.50		V
Common-Mode Reference Output	CM pin	2.14	2.25	2.29	V
External Reference Voltage Source	CM pin	2.14	2.25	2.29	V
REGULATOR					
Input Supply Voltage	VSUPPLY pin	3.0	5	5.5	V
Regulated Output Voltage	VSENSE pin	2.25	2.50	2.55	V

¹ Functionally guaranteed at -40°C to +125°C case temperature.

CRYSTAL OSCILLATOR SPECIFICATIONS

Table 3.

Parameter	Min	Typ	Max	Unit
TRANSCONDUCTANCE				
T _A = 25°C	6.4	7 to 10	14	mmhos
T _A = 105°C	5.2	7.5 to 8.5	12	mmhos

DIGITAL INPUT/OUTPUT SPECIFICATIONS

–40°C < T_A < +105°C, IOVDD = 5.0 V, and 3.3 V ± 10%, unless otherwise noted.

Table 4.

Parameter	Symbol	Test Conditions/Comments	Min	Typ	Max	Unit
INPUT VOLTAGE						
Voltage Level						
High	V _{IH}		0.7 × IOVDD			V
Low	V _{IL}				0.3 × IOVDD	V
Input Leakage		I _{IH} at V _{IH} = 3.3 V I _{IL} at V _{IL} = 0 V			10	μA
					10	μA
INPUT CAPACITANCE					5	pF
OUTPUT VOLTAGE						
Voltage Level						
High	V _{OH}	I _{OH} = 1 mA	0.8 × IOVDD			V
Low	V _{OL}	I _{OL} = 1 mA			0.1 × IOVDD	V

POWER SUPPLY SPECIFICATIONS

Table 5.

Parameter	Test Conditions/Comments	Min	Typ	Max	Unit
SUPPLIES					
Voltage	AVDDx DVDD PLLVD IOVDD VSUPPLY	4.5 2.25 2.25 3.0 3.0	5.0 2.5 2.5 5.0 5.0	5.5 3.6 3.6 5.5 5.5	V V V V V
Analog Current					
Normal Operation	AVDDx = 5.0 V		64		mA
Power-Down	AVDDx = 5.0 V		1		μA
Digital Current	DVDD = 2.5 V				
Normal Operation	f _s = 48 kHz to 192 kHz		30		mA
Power-Down	No master clock or I ² S		4		μA
PLL Current	PLLVD = 2.5 V				
Normal Operation	f _s = 48 kHz to 192 kHz		5		mA
Power-Down			1		μA
Input/Output Current	IOVDD = 3.3 V				
Normal Operation			4		mA
Power-Down			1		μA
QUIESCENT POWER DISSIPATION—DITHER INPUT					
Operation	Master clock = 256 × f _s , 48 kHz				
All Supplies	AVDDx = 5.0 V, DVDD/PLLVD = 2.5 V, IOVDD = 3.3 V		421		mW
Analog Supply	AVDDx = 5.0 V, 26.7 mW per channel		320		mW
Digital Supply	DVDD = 2.5 V		75		mW
PLL Supply	PLLVD = 2.5 V		13		mW
I/O Supply	IOVDD = 3.3 V		13		mW
Power-Down, All Supplies			0		mW
POWER SUPPLY REJECTION RATIO					
Signal at Analog Supply Pins	1 kHz, 200 mV p-p 20 kHz, 200 mV p-p		85		dB
			85		dB

DIGITAL FILTERS

Table 6.

Parameter	Mode	Factor	Min	Typ	Max	Unit
DAC INTERPOLATION FILTER Pass Band	48 kHz mode, typical at 48 kHz	$0.4535 \times f_s$		22		kHz
	96 kHz mode, typical at 96 kHz	$0.3646 \times f_s$	35			kHz
	192 kHz mode, typical at 192 kHz	$0.3646 \times f_s$		70		kHz
Pass-Band Ripple	48 kHz mode, typical at 48 kHz				± 0.01	dB
	96 kHz mode, typical at 96 kHz				± 0.05	dB
	192 kHz mode, typical at 192 kHz				± 0.1	dB
Transition Band	48 kHz mode, typical at 48 kHz	$0.5 \times f_s$		24		kHz
	96 kHz mode, typical at 96 kHz	$0.5 \times f_s$		48		kHz
	192 kHz mode, typical at 192 kHz	$0.5 \times f_s$		96		kHz
Stop Band	48 kHz mode, typical at 48 kHz	$0.5465 \times f_s$		26		kHz
	96 kHz mode, typical at 96 kHz	$0.6354 \times f_s$		61		kHz
	192 kHz mode, typical at 192 kHz	$0.6354 \times f_s$		122		kHz
Stop-Band Attenuation	48 kHz mode, typical at 48 kHz		68			dB
	96 kHz mode, typical at 96 kHz		68			dB
	192 kHz mode, typical at 192 kHz		68			dB
Propagation Delay	48 kHz mode, typical at 48 kHz	$25/f_s$		521		μ s
	96 kHz mode, typical at 96 kHz	$11/f_s$		115		μ s
	192 kHz mode, typical at 192 kHz	$8/f_s$		42		μ s
	192 kHz low propagation delay mode, typical at 192 kHz	$2/f_s$		10		μ s

TIMING SPECIFICATIONS

$-40^{\circ}\text{C} < T_A < +105^{\circ}\text{C}$, DVDD = 2.5 V \pm 10%, unless otherwise noted.

Table 7.

Parameter ¹	Description	Min	Typ	Max	Unit
INPUT MASTER CLOCK (MCLKI)	t_{MH} Master clock duty cycle, DAC clock source = PLL clock at $256 \times f_s$, $384 \times f_s$, $512 \times f_s$, and $768 \times f_s$	40		60	%
		40		60	%
	f_{MCLK} DAC clock source = direct MCLKI at $512 \times f_s$ (bypass on-chip PLL)	MCLKI frequency of the MCLKI/XTALI pin, PLL mode	6.9		40.5
f_{BCLK}	Direct MCLKI $512 \times f_s$ mode			27.1	MHz
	DBCLK pin, PLL mode			27.0	MHz
POWER UP and RESET (PU/RST)	t_{PDR} Active low for reset time	15			ns
	t_{PDRR} Recovery, reset to active output	300			ms
PLL	Lock Time			10	ms
				50	ms
	Output Duty Cycle, MCLKO Pin	$256 \times f_s$ VCO clock	40		60

Parameter ¹	Description	Min	Typ	Max	Unit
SPI PORT					
f _{SCLK}	See Figure 17 SCLK frequency, not shown in Figure 17			10	MHz
t _{SCH}	SCLK high	35			ns
t _{SCL}	SCLK low	35			ns
t _{MOS}	MOSI setup, time to SCLK rising	10			ns
t _{MOH}	MOSI hold, time from SCLK rising	10			ns
t _{SSS}	\overline{SS} setup, time to SCLK rising	10			ns
t _{SSH}	\overline{SS} hold, time from SCLK falling	10			ns
t _{SSHIGH}	\overline{SS} high	10			ns
t _{MIE}	MISO enable from \overline{SS} falling			30	ns
t _{MID}	MISO delay from SCLK falling			30	ns
t _{MIH}	MISO hold from SCLK falling, not shown in Figure 17	30			ns
t _{MITs}	MISO tristate from \overline{SS} rising			30	ns
I²C					
f _{SCL}	See Figure 2 and Figure 13 SCL clock frequency			400	kHz
t _{SCLL}	SCL low	1.3			μs
t _{SCLH}	SCL high	0.6			μs
t _{SCS}	Setup time (start condition), relevant for repeated start condition	0.6			μs
t _{SCH}	Hold time (start condition), first clock generated after this period	0.6			μs
t _{SSH}	Setup time (stop condition)	0.6			μs
t _{DS}	Data setup time	100			ns
t _{SR}	SDA and SCL rise time			300	ns
t _{SF}	SDA and SCL fall time			300	ns
t _{BFT}	Bus-free time between stop and start	1.3			μs
DAC SERIAL PORT					
t _{DBH}	See Figure 19 DBCLK high, slave mode	10			ns
t _{DBL}	DBCLK low, slave mode	10			ns
t _{DLS}	DLRCLK setup, time to DBCLK rising, slave mode	10			ns
t _{DLH}	DLRCLK hold from DBCLK rising, slave mode	5			ns
t _{DLSK}	DLRCLK skew from DBCLK falling, master mode; not shown in Figure 19	-8		+8	ns
t _{DDS}	DSDATAx setup to DBCLK rising	10			ns
t _{DDH}	DSDATAx hold from DBCLK rising	5			ns

¹ The timing specifications may refer to single functions of multifunction pins, such as the SCLK function of the SCLK/SCL/SA pin.

Timing Diagram

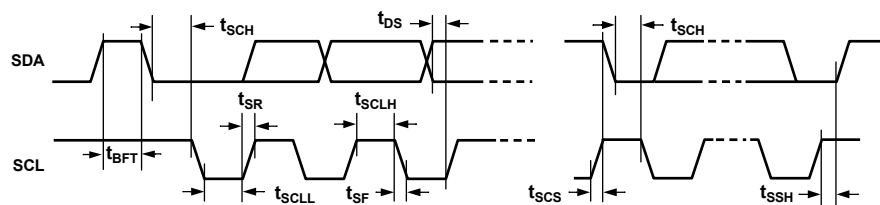


Figure 2. I²C Timing Diagram

11962-002

ABSOLUTE MAXIMUM RATINGS

Table 8.

Parameter	Rating
Analog (AVDDx)	-0.3 V to +5.5 V
Input/Output (IOVDD)	-0.3 V to +5.5 V
Digital (DVDD)	-0.3 V to +3.6 V
PLL (PLLVD)	-0.3 V to +3.6 V
VSUPPLY	-0.3 V to +6.0 V
Input Current (Except Supply Pins)	±20 mA
Analog Input Voltage (Signal Pins)	-0.3 V to AVDDx + 0.3 V
Digital Input Voltage (Signal Pins)	-0.3 V to DVDD + 0.3 V
Operating Temperature Range (Case)	-40°C to +125°C
Storage Temperature Range	-65°C to +150°C

Stresses at or above those listed under Absolute Maximum Ratings may cause permanent damage to the product. This is a stress rating only; functional operation of the product at these or any other conditions above those indicated in the operational section of this specification is not implied. Operation beyond the maximum operating conditions for extended periods may affect product reliability.

THERMAL RESISTANCE

θ_{JA} represents junction-to-ambient thermal resistance, and θ_{JC} represents the junction-to-case thermal resistance. All characteristics are for a 4-layer board with a solid ground plane.

Table 9. Thermal Resistance

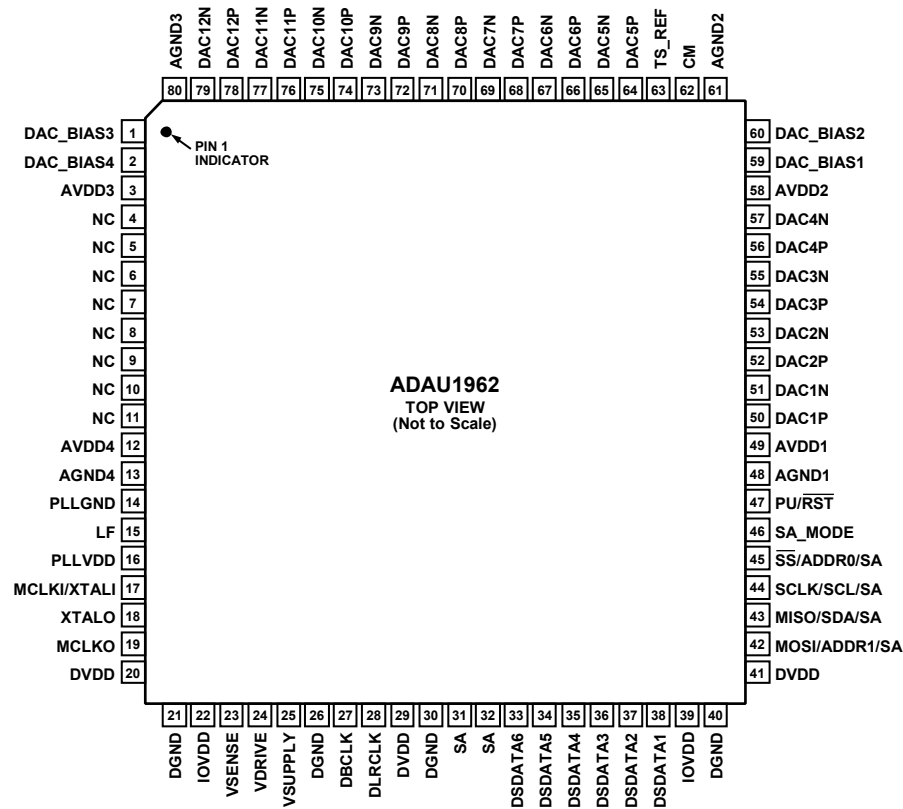
Package Type	θ_{JA}	θ_{JC}	Unit
80-Lead LQFP	42.3	10.0	°C/W

ESD CAUTION



ESD (electrostatic discharge) sensitive device. Charged devices and circuit boards can discharge without detection. Although this product features patented or proprietary protection circuitry, damage may occur on devices subjected to high energy ESD. Therefore, proper ESD precautions should be taken to avoid performance degradation or loss of functionality.

PIN CONFIGURATION AND FUNCTION DESCRIPTIONS



- NOTES**
1. NC = NO CONNECT. LEAVE THIS PIN FLOATING; DO NOT TIE TO GROUND OR POWER.
 2. SEE THE STANDALONE MODE SECTION (TABLE 13 AND TABLE 14) FOR THE SA_MODE SETTINGS FOR PIN 31, PIN 32, AND PIN 42 THROUGH PIN 45.

Figure 3. Pin Configuration

11962-003

Table 10. Pin Function Descriptions

Pin No.	Mnemonic ^{1, 2}	Type ³	Description
1	DAC_BIAS3	I	DAC Bias 3. AC couple Pin 1 with a 470 nF capacitor to AGND3.
2	DAC_BIAS4	I	DAC Bias 4. AC couple Pin 2 with a 470 nF capacitor to AVDD3.
3	AVDD3	PWR	Analog Power.
4 to 11	NC		No Connect. Leave these pins floating; do not tie to ground or power.
12	AVDD4	PWR	Analog Power.
13	AGND4	GND	Analog Ground.
14	PLLGND	GND	PLL Ground.
15	LF	O	PLL Loop Filter. Reference the LF pin to PLLVDD.
16	PLLVDD	PWR	PLL Power. Apply 2.5 V to power the PLL.
17	MCLKI/XTALI	I	Master Clock Input/Input to Crystal Inverter. This is a multifunction pin.
18	XTALO	O	Output from Crystal (XTAL) Inverter.
19	MCLKO	O	Master Clock Output.
20, 29, 41	DVDD	PWR	Digital Power, 2.5 V.
21, 26, 30, 40	DGND	GND	Digital Ground.
22, 39	IOVDD	PWR	Power for Digital Input and Output Pins, 3.3 V or 5 V.
23	VSENSE	I	2.5 V Regulator Output, Pass Transistor Collector. Bypass VSENSE with a 10 μF capacitor in parallel with a 100 nF capacitor.
24	VDRIVE	O	Pass Transistor Base Driver.

Pin No.	Mnemonic ^{1, 2}	Type ³	Description
25	VSUPPLY	I	5 V Voltage Regulator Input, Pass Transistor Emitter. Bypass VSUPPLY with a 10 μ F capacitor in parallel with a 100 nF capacitor.
27	DBCLK	I/O	Bit Clock for DACs.
28	DLRCLK	I/O	Left Right Frame Clock for DACs.
31, 32	SA	I	Standalone Mode, Time Domain Multiplexed (SA_MODE TDM) State. See the Standalone Mode section, Table 13, and Table 14 for more information.
33	DSDATA6	I	DAC11 and DAC12 Serial Data Input.
34	DSDATA5	I	DAC9 and DAC10 Serial Data Input.
35	DSDATA4	I	DAC7 and DAC8 Serial Data Input.
36	DSDATA3	I	DAC5 and DAC6 Serial Data Input.
37	DSDATA2	I	DAC3 and DAC4 Serial Data Input.
38	DSDATA1	I	DAC1 and DAC2 Serial Data Input.
42	MOSI/ADDR1/SA	I	Master Output Slave Input (SPI)/Address 1 (I ² C)/Standalone Mode (SA_MODE) State. This is a multifunction pin. See the Standalone Mode section and Table 13 for more information.
43	MISO/SDA/SA	I/O	Master Output Slave Input (SPI)/Control Data Input (I ² C)/Standalone Mode (SA_MODE) State. This is a multifunction pin. See the Standalone Mode section and Table 13 for more information.
44	SCLK/SCL/SA	I	Serial Clock Input (SPI)/Control Clock Input (I ² C)/Standalone Mode (SA_MODE) State. This is a multifunction pin. See the Standalone Mode section and Table 13 for more information.
45	\overline{SS} /ADDR0/SA	I	Slave Select (SPI) Active Low/Address 0 (I ² C)/Standalone Mode (SA_MODE) State. This is a multifunction pin. See the Standalone Mode section and Table 13 for more information.
46	SA_MODE	I	Standalone Mode, Active High. This pin allows mode control of the ADAU1962 using Pin 42 to Pin 45, Pin 31, and Pin 32 (see Table 13 and Table 14 for more information).
47	PU/ \overline{RST}	I	Power-Up/Reset (Active Low). See Power-Up and Reset section for more information.
48	AGND1	GND	Analog Ground.
49	AVDD1	PWR	Analog Power.
50	DAC1P	O	DAC1 Positive Output.
51	DAC1N	O	DAC1 Negative Output.
52	DAC2P	O	DAC2 Positive Output.
53	DAC2N	O	DAC2 Negative Output.
54	DAC3P	O	DAC3 Positive Output.
55	DAC3N	O	DAC3 Negative Output.
56	DAC4P	O	DAC4 Positive Output.
57	DAC4N	O	DAC4 Negative Output.
58	AVDD2	PWR	Analog Power.
59	DAC_BIAS1	I	Filter for DAC Bias 1. AC couple Pin 59 with a 470 nF capacitor to AVDD2.
60	DAC_BIAS2	I	Filter for DAC Bias 2. AC couple Pin 60 with a 470 nF capacitor to AGND2.
61	AGND2	GND	Analog Ground.
62	CM	O	Common-Mode Reference Filter Capacitor Connection. Bypass the CM pin with a 10 μ F capacitor in parallel with a 100 nF capacitor to AGND2. The internal reference can be shut off in the PLL_CLK_CTRL1 register and the pin can be driven with an outside voltage source.
63	TS_REF	O	Voltage Reference Filter Capacitor Connection. Bypass Pin 63 with a 10 μ F capacitor in parallel with a 100 nF capacitor to AGND2.
64	DAC5P	O	DAC5 Positive Output.
65	DAC5N	O	DAC5 Negative Output.
66	DAC6P	O	DAC6 Positive Output.
67	DAC6N	O	DAC6 Negative Output.
68	DAC7P	O	DAC7 Positive Output.
69	DAC7N	O	DAC7 Negative Output.
70	DAC8P	O	DAC8 Positive Output.
71	DAC8N	O	DAC8 Negative Output.
72	DAC9P	O	DAC9 Positive Output.
73	DAC9N	O	DAC9 Negative Output.

Pin No.	Mnemonic ^{1, 2}	Type ³	Description
74	DAC10P	O	DAC10 Positive Output.
75	DAC10N	O	DAC10 Negative Output.
76	DAC11P	O	DAC11 Positive Output.
77	DAC11N	O	DAC11 Negative Output.
78	DAC12P	O	DAC12 Positive Output.
79	DAC12N	O	DAC12 Negative Output.
80	AGND3	GND	Analog Ground.

¹ AVDD1, AVDD2, AVDD3, and AVDD4 are referred to elsewhere in this data sheet as AVDDx when AVDDx means any or all of the AVDD pins.

² DAC Channel 1 to DAC Channel 12 pins are referred to elsewhere in this data sheet as DACx, DACxP, or DACxN when it means any or all of the DAC channel pins.

³ I = input, O = output, I/O = input/output, PWR = power, and GND = ground.

TYPICAL PERFORMANCE CHARACTERISTICS

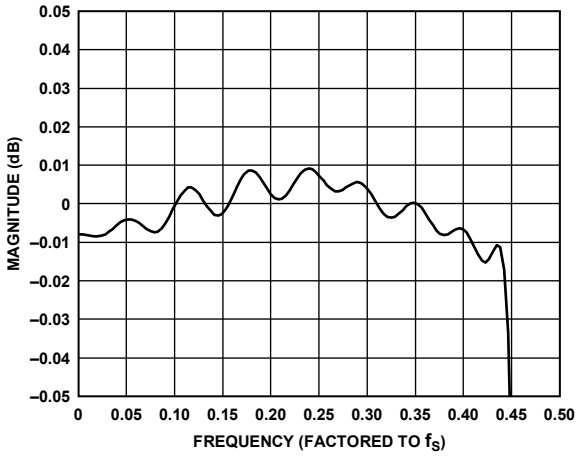


Figure 4. DAC Pass-Band Filter Response, 48 kHz

11862-004

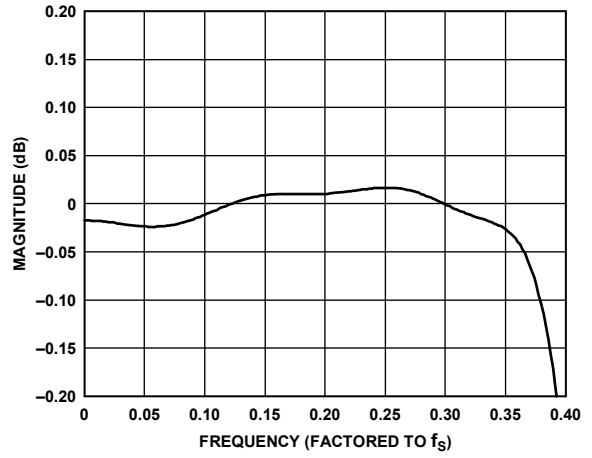


Figure 6. DAC Pass-Band Filter Response, 96 kHz

11862-006

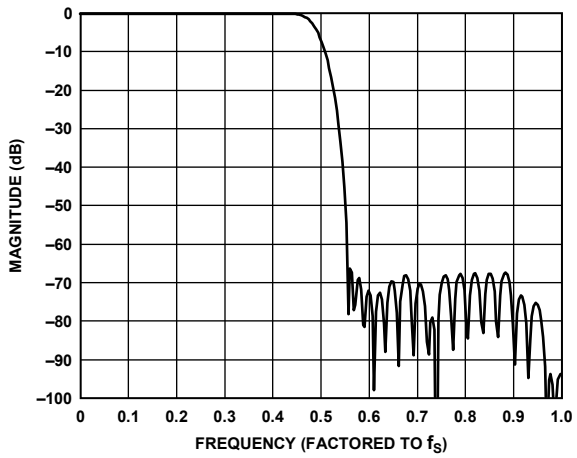


Figure 5. DAC Stop-Band Filter Response, 48 kHz

11862-005

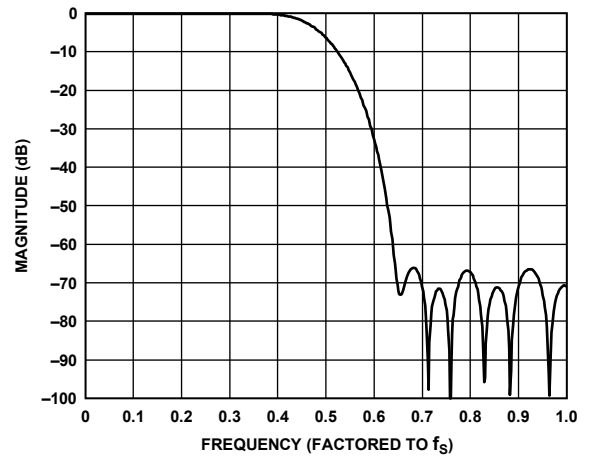


Figure 7. DAC Stop-Band Filter Response, 96 kHz

11862-007

TEST CIRCUITS

Typical application circuits are shown in Figure 8 to Figure 11. Recommended loop filters for the DLRCLK and MCLKI/XTALI modes of the PLL reference are shown in Figure 8. Output filters for the DAC outputs are shown in Figure 9 and Figure 11, and a recommended external regulator circuit is shown in Figure 10.

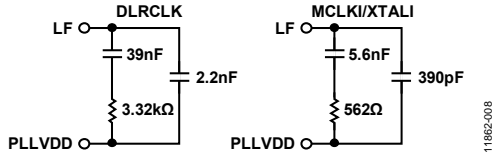


Figure 8. Recommended Loop Filters for DLRCLK and MCLKI/XTALI PLL Reference Modes

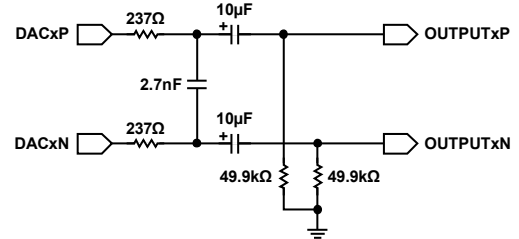


Figure 9. Typical DAC Output Passive Filter Circuit (Differential)

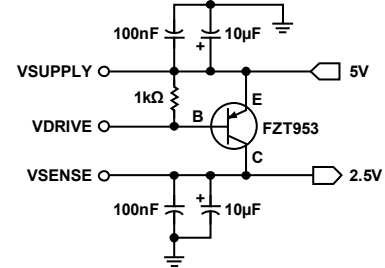


Figure 10. Recommended External Regulator Circuit

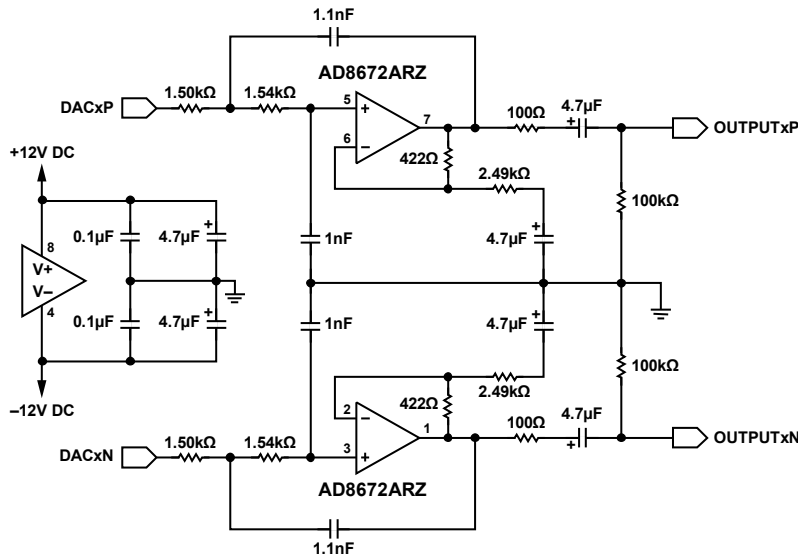


Figure 11. Typical DAC Output Active Filter Circuit (Differential)

THEORY OF OPERATION

DIGITAL-TO-ANALOG CONVERTERS (DACs)

For improved noise and distortion performance, the ADAU1962 includes 12 differential DAC channels configured as voltage outputs for a simplified connection. The DACs include on-chip digital interpolation filters with 68 dB stop-band attenuation and linear phase response, operating at an oversampling ratio of 256× (48 kHz range), 128× (96 kHz range), or 64× (192 kHz range). Each channel has its own independently programmable attenuator, adjustable in 255 steps in increments of 0.375 dB. Digital inputs are supplied through six serial data input pins (two channels on each pin), a common frame clock (DLRCLK), and a bit clock (DBCLK). Alternatively, any one of the time domain multiplexed (TDM) modes can be used to access up to 12 channels on a single TDM data line.

The ADAU1962 has a low propagation delay mode; this mode is an option for an f_s of 192 kHz and is enabled in Register DAC_CTRL0[2:1]. By setting these bits to 0b11, the propagation delay is reduced by the amount listed in Table 6. The shorter delay is achieved by reducing the amount of digital filtering; the negative impact of selecting this mode is reduced audio frequency response and increased out-of-band energy.

When AVDDx is supplied with +5 V, each analog output pin has a nominal common-mode (CM) dc level of +2.25 V and swings ±2.12 V above and below the +2.25 V for a 1.5 V rms signal on each pin. Differentially, the signal is 3 V rms (8.48 V p-p) from a 0 dBFS digital input signal.

The differential analog outputs require a mere single-order, passive differential resistor-capacitor (RC) filter to provide the specified DNR performance (see Figure 9 for an example filter). The outputs can easily drive differential inputs on a separate printed circuit board (PCB) through cabling, as well as differential inputs on the same PCB.

If more signal level is required or if a more robust filter is needed, a single op amp gain stage, designed as a second-order, low-pass Bessel filter, can be used to remove the high frequency out-of-band noise present on each pin of the differential outputs. The choice of components and design of this circuit are critical to obtaining the full DNR yield of the DACs (see the recommended passive and active circuits in Figure 9 and Figure 11). This filter can be built into an active differential amplifier to provide a single-ended output with gain, if necessary. Note that the use of op amps with low slew rate or low bandwidth can cause high frequency noise and tones to fold down into the audio band; exercise care when selecting these components.

The ADAU1962 offers control over the analog performance of the DACs; it is possible to program the registers to reduce the power consumption with the trade-off of lower signal-to-noise ratio (SNR) and THD + N. The reduced power consumption is the result of changing the internal bias current to the analog output amplifiers.

The DAC_POWER1 to DAC_POWER3 registers present four basic settings for the DAC power vs. performance in each of the 12 channels: best performance, good performance, low power, and lowest power.

Alternatively, in Register PLL_CLK_CTRL1[7:6], the LOPWR_MODE bits offer global control over the power and performance for all 12 channels. The default setting is 0b00. This setting allows the channels to be controlled individually using the DAC_POWERx registers. Setting 0b10 and 0b11 selects the low power and lowest power settings, respectively. The data presented in Table 11 shows the result of setting all 12 channels to each of the four settings. The SNR and THD + N specifications are shown in relation to the measured performance of a device at the best performance setting.

The voltage at CM, the common-mode reference pin, can be used to bias the external op amps that buffer the output signals (see the Power Supply and Voltage Reference section).

Table 11. DAC Power vs. Performance

Register Setting	Best Performance	Good Performance	Low Power	Lowest Power
Total AVDDx Current	64 mA	57 mA	50 mA	43 mA
SNR	Reference	-0.2 dB	-1.5 dB	-14.2 dB
THD + N (-1 dBFS Signal)	Reference	-1.8 dB	-3.0 dB	-5.8 dB

CLOCK SIGNALS

Powering the ADAU1962 and asserting the PU/RST pin high starts the device in either standalone mode (SA_MODE) or program mode, depending on the state of SA_MODE (Pin 46). The clock functionality of SA_MODE is described in the Standalone Mode section.

The ADAU1962 default in program mode is for the MCLKO pin to feed a buffered output of the MCLKI signal on the MCLKI/XTALI pin. The default for the DLRCLK and DBCLK ports is slave mode; to function, drive the DAC with a coherent set of master clock, frame clock, and bit clock signals.

Use Register PLL_CLK_CTRL1[5:4] to program the MCLKO pin to provide different clock signals. The default, 0b10, provides a buffered copy of the clock signal that is driving the MCLKI pin function. Two modes, 0b00 and 0b01, provide low jitter clock signals.

The 0b00 setting yields a clock rate between 4 MHz and 6 MHz, and the 0b01 setting yields a clock rate between 8 MHz and 12 MHz. Both of these clock frequencies scale automatically as ratios of the master clock inside the ADAU1962.

As an example, an input to MCLKI of 8.192 MHz and a setting of 0b00 yield an MCLKO of $(8.192/2) = 4.096$ MHz. Alternatively, an input to MCLKI of 36.864 MHz and a setting of 0b01 yield an MCLKO frequency of $(36.864/3) = 12.288$ MHz. The setting, 0b11, shuts off the MCLKO pin.

Program the PLL_CLK_CTRLx registers (Register 0x00 and Register 0x01) only after asserting the PU/RST pin high. Select the on-chip PLL to use the clock appearing at the MCLKI/XTALI pin at a frequency of 256, 384, 512, or 768 times the sample rate (f_s), referenced to the 48 kHz mode from the master clock select (MCS) setting, as listed in Table 12.

In 96 kHz mode, the master clock frequency stays at the same absolute frequency; therefore, the actual multiplication rate is divided by 2; likewise, in 192 kHz mode, the actual multiplication rate is divided by 4.

For example, programming the ADAU1962 in $256 \times f_s$ mode derives a master clock input frequency of $256 \times 48 \text{ kHz} =$

12.288 MHz. Switching the ADAU1962 to 96 kHz operation (by writing to DAC_CTRL0[2:1]), the frequency of the master clock remains at 12.288 MHz, which is an MCS ratio of $128 \times f_s$ in this example. Therefore, in 192 kHz mode, MCS becomes $64 \times f_s$.

The internal clock for the digital core varies by mode: $512 \times f_s$ (48 kHz mode), $256 \times f_s$ (96 kHz mode), or $128 \times f_s$ (192 kHz mode). By default, the on-board PLL generates this internal master clock from an external clock.

The PLL must be powered and stable before using the ADAU1962 as a source for quality audio. A reset enables the PLL and does not require writing to the I²C or SPI port for normal operation.

With the PLL enabled, the performance of the ADAU1962 is unaffected by jitter as high as a 300 ps rms time interval error (TIE). When the internal PLL is disabled, use an independent crystal oscillator to generate the master clock.

When using the ADAU1962 in direct master clock mode, power down the PLL in the PDN_THRMSSENS_CTRL_1 register. For direct master clock mode, feed a frequency of $512 \times f_s$ (referenced to 48 kHz mode) into the MCLKI pin, and set the CLK_SEL bit in the PLL_CLK_CTRL1 register to 1.

The ADAU1962 PLL can also be programmed to run from an external LRCLK without an external master clock. Setting the PLLIN bits in the PLL_CLK_CTRL0 register to 0b01 and connecting the appropriate loop filter to the LF pin (see Figure 8), the ADAU1962 PLL generates all of the necessary internal clocks for operation with no external master clock. This mode reduces the number of high frequency signals in the design, reducing EMI emissions.

It is possible to reduce the EMI emissions of the circuit further by using the internal bit clock generation setting of the BCLK_GEN bit in the DAC_CTRL1 register. Setting the BCLK_GEN bit to 1 (internal) and the SAI_MS bit to 0 (slave), the ADAU1962 generates its own bit clock; this configuration works with the PLL input register, PLL_CLK_CTRL0[7:6] set to either MCLKI/XTALI or DLRCLK. The clock on the DLRCLK pin is the only required clock in DLRCLK PLL mode.

Table 12. MCS and f_s Modes

Sample Rate Select, DAC_CTRL0[2:1]		Master Clock Select (MCS), PLL_CLK_CTRL0[2:1]							
		Setting 0, 0b00		Setting 1, 0b01		Setting 2, 0b10		Setting 3, 0b11	
f_s (kHz)	Bit Setting	Ratio	Master Clock (MHz)	Ratio	Master Clock (MHz)	Ratio	Master Clock (MHz)	Ratio	Master Clock (MHz)
32	0b00	$256 \times f_s$	8.192	$384 \times f_s$	12.288	$512 \times f_s$	16.384	$768 \times f_s$	24.576
44.1	0b00	$256 \times f_s$	11.2896	$384 \times f_s$	16.9344	$512 \times f_s$	22.5792	$768 \times f_s$	33.8688
48	0b00	$256 \times f_s$	12.288	$384 \times f_s$	18.432	$512 \times f_s$	24.576	$768 \times f_s$	36.864
64	0b01	$128 \times f_s$	8.192	$192 \times f_s$	12.288	$256 \times f_s$	16.384	$384 \times f_s$	24.576
88.2	0b01	$128 \times f_s$	11.2896	$192 \times f_s$	16.9344	$256 \times f_s$	22.5792	$384 \times f_s$	33.8688
96	0b01	$128 \times f_s$	12.288	$192 \times f_s$	18.432	$256 \times f_s$	24.576	$384 \times f_s$	36.864
128	0b10 or 0b11	$64 \times f_s$	8.192	$96 \times f_s$	12.288	$128 \times f_s$	16.384	$192 \times f_s$	24.576
176.4	0b10 or 0b11	$64 \times f_s$	11.2896	$96 \times f_s$	16.9344	$128 \times f_s$	22.5792	$192 \times f_s$	33.8688
192	0b10 or 0b11	$64 \times f_s$	12.288	$96 \times f_s$	18.432	$128 \times f_s$	24.576	$192 \times f_s$	36.864

POWER-UP AND RESET

The power sequencing of the ADAU1962 begins with AVDDx and IOVDD, followed by DVDD. It is very important that AVDDx be settled at a regulated voltage and that IOVDD be within 10% of the regulated voltage before applying DVDD. When using the ADAU1962 internal regulator, this timing occurs by default.

To guarantee proper startup, pull the PU/RST pin low by using an external resistor and then, after the power supplies have stabilized, drive PU/RST high. The PU/RST can also be pulled high using a simple RC network.

Driving the PU/RST pin low puts the device into a very low power state (<3 μA), disabling all functionality of the ADAU1962 until the PU/RST pin is asserted high. After asserting this pin high, the ADAU1962 requires 300 ms to stabilize. Toggle the MMUTE bit in the DAC_CTRL0 register for operation.

Use the PUP bit (master power-up control) in the PLL_CLK_CTRL0 register to power down the ADAU1962. Setting the master power-up bit to 0 puts the ADAU1962 in an idle state while maintaining the settings of all registers. Additionally, to power down individual sections of the ADAU1962, use the power-down bits in the PDN_THRMSSENS_CTRL1 register (TS_PDN, PLL_PDN and VREG_PDN).

The SOFT_RST bit in the PLL_CLK_CTRL0 register sets all of the control registers to their default settings while maintaining the internal clocks in default mode. The SOFT_RST bit does not power down the analog outputs, and toggling this bit does not cause audible popping sounds at the differential analog outputs.

For proper startup of the ADAU1962, follow these steps:

1. Apply power to the ADAU1962 as described previously in the Power-Up and Reset section.
2. Assert the PU/RST pin high after the power supplies are stable.
3. Set the PUP bit to 1.
4. Program all necessary registers for the desired settings.
5. Set the MMUTE bit to 0 to unmute all channels.

STANDALONE MODE

The ADAU1962 can operate without a typical I²C or SPI connection to a microcontroller. This standalone mode is available by setting the SA_MODE (Pin 46) to IOVDD. All registers are set to default except for the options shown in Table 13.

Table 13. SA_MODE Settings

Pin No.	Setting	Function
42	0	Master mode serial audio interface (SAI)
	1	Slave mode SAI
43	0	MCLKI = 256 × f _s , PLL on
	1	MCLKI = 384 × f _s , PLL on
44	0	Must be set to 0
45	0	I ² S SAI format
	1	TDM modes, determined by Pin 31 and Pin 32

Setting both the SA_MODE pin and Pin 45 to high selects TDM mode. Table 14 shows the available TDM modes; set these modes by connecting Pin 31 (SA) and Pin 32 (SA) to GND or IOVDD.

Table 14. TDM Modes

Pin No.	Setting	Function
31, 32	00	TDM4: DLRCLK pulse
	01	TDM8: DLRCLK pulse
	10	TDM16: DLRCLK pulse
	11	TDM8: DLRCLK 50% duty cycle

By powering up the ADAU1962 in SA_MODE and asserting the PU/RST high, the MCLKO pin provides a buffered version of the MCLKI/XTALI pin, whether the source is a crystal or an active oscillator.

I²C CONTROL PORT

The ADAU1962 has an I²C-compatible control port that permits programming and readback of the internal control registers for the DACs and clock system. The I²C interface of the ADAU1962 is a 2-wire interface consisting of a clock line (SCL) and a data line (SDA). SDA is bidirectional, and the ADAU1962 drives SDA either to acknowledge the master (ACK) or to send data during a read operation. The SDA line (on the MISO/SDA/SA pin) for the I²C port is an open-drain collector and requires a 2 kΩ pull-up resistor. A write or read access occurs when the SDA line is pulled low while the SCL line (on the SCLK/SCL/SA pin) is high, indicated by a start in Figure 12 and Figure 13.

SDA is only allowed to change when SCL is low, except when a start or stop condition occurs, as shown in Figure 12 and Figure 13. The first eight bits of the data-word consist of the device address and the R/W bit. The device address consists of an internal built-in address (0x04) and two address pins, the ADDR1 function of the MOSI/ADDR1/SA pin and the ADDR0 function of the SS/ADDR0/SA pin (see Table 15).

Table 15. I²C Addresses

ADDR1 (AD1)	ADDR0 (AD0)	Slave Address
0	0	0x04
0	1	0x24
1	0	0x44
1	1	0x64

I²C Write

The two address bits allow four ADAU1962 devices to be used in a system. Initiating a write operation to the ADAU1962 involves the following steps (see Figure 12):

1. Send a start condition
2. Send the device address with the R/W bit set low. The ADAU1962 responds by issuing an acknowledge to indicate that it has been addressed.
3. Send a second frame directing the ADAU1962 to which register is required to be written.
 - a. A second acknowledge is issued by the ADAU1962.
4. Send a third frame with the eight data bits required to be written to the register. A third acknowledge is issued by the ADAU1962.
5. Send a stop condition to complete the data transfer.

Table 16. I²C Abbreviations

Abbreviation	Description
S	Start bit
P	Stop bit
AM	Acknowledge by master
AS	Acknowledge by slave

Table 17. Single Word I²C Write

S	Chip Address, R/W = 0	AS	Register Address	AS	Data-Word	AS	P
---	-----------------------	----	------------------	----	-----------	----	---

Table 18. Burst Mode I²C Write

S	Chip Address, R/W = 0	AS	Register Address	AS	Data-Word 1	AS	Data-Word 2	AS	Data-Word N	AS	P
---	-----------------------	----	------------------	----	-------------	----	-------------	----	-------------	----	---

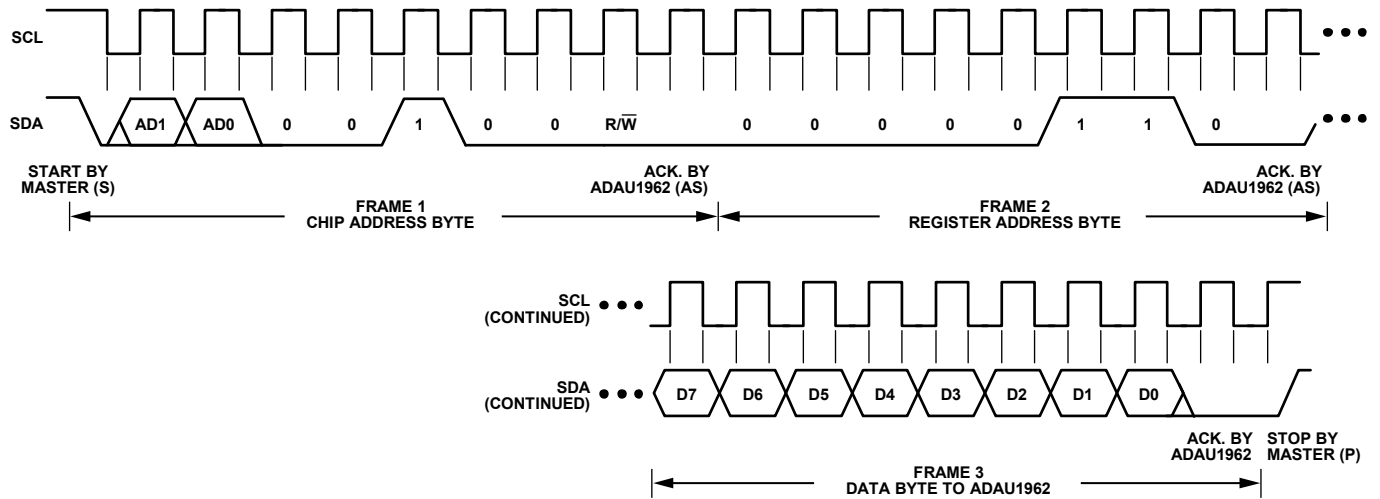


Figure 12. I²C Write Format

11862-012

I²C Read

A read operation requires that the user first write to the ADAU1962 to point to the correct register and then read the data. The following steps achieve this (see Figure 13):

1. Send a start condition followed by the device address frame with the R/W bit low and then the register address frame. The ADAU1962 responds with an acknowledge.

2. Issue a repeated start condition. The next frame is the device address with the R/W bit set high. On the next frame, the ADAU1962 outputs the register data on the SDA line.
3. Issue a stop condition to complete the read operation.

Table 19. Single Word I²C Read

S	Chip Address, R/W = 0	AS	Register Address	AS	S	Chip Address, R/W = 1	AS	Data-Word	AM	P
---	-----------------------	----	------------------	----	---	-----------------------	----	-----------	----	---

Table 20. Burst Mode I²C Read

S	Chip Address, R/W = 0	AS	Register Address	AS	S	Chip Address, R/W = 1	AS	Data-Word 1	AM	Data-Word 2	AM	Data-Word N	AM	P
---	-----------------------	----	------------------	----	---	-----------------------	----	-------------	----	-------------	----	-------------	----	---

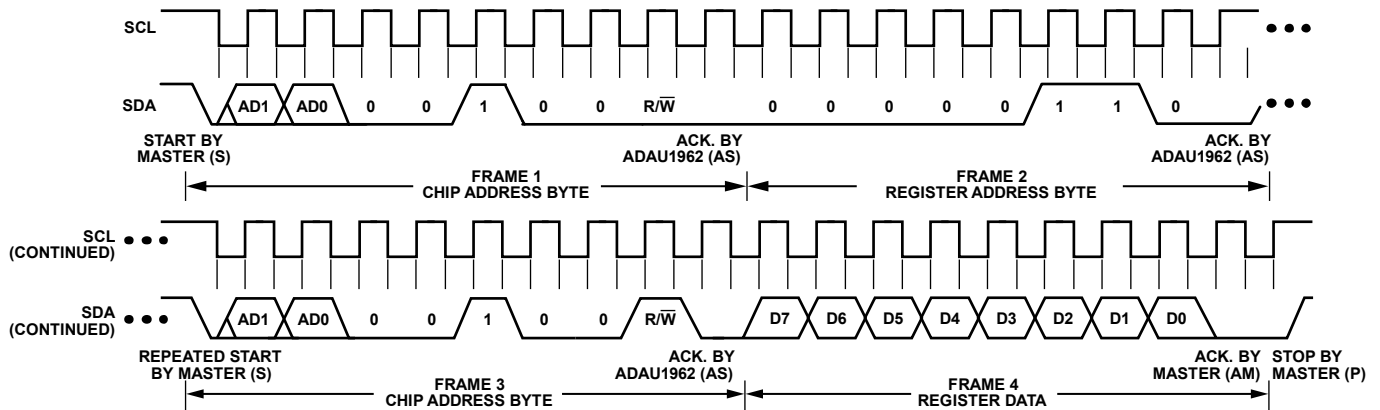


Figure 13. I²C Read Format

11982-013

SERIAL CONTROL PORT: SPI MODE

The ADAU1962 has a 4-wire SPI control port that permits the programming and reading back of the internal control registers for the DACs and clock system. A standalone mode is also available for operation without serial control; it is configured at reset using the SA_MODE pin. See the Standalone Mode section for details about the SA_MODE pin.

By default, the ADAU1962 is in I²C mode; however, to enter SPI control mode pull \overline{SS} low three times. To enter SPI control mode, perform three dummy writes to the SPI port (the ADAU1962 does not acknowledge these three writes). Beginning with the fourth SPI write, data can be written to or read from the integrated circuits. The ADAU1962 can exit SPI control mode only by a full reset initiated by power cycling the device.

The SPI control port of the ADAU1962 is a 4-wire serial control port. The format is a 24-bit wide data-word. The serial bit clock and latch can be completely asynchronous to the sample rate of the DACs. Table 21 shows the format of the SPI address byte.

The first byte is the global address with a read/write bit. For the ADAU1962, the address is 0x06, shifted left one bit due to the R/W bit. The second byte is the ADAU1962 register address, and the third byte is the data, as shown in Figure 15 and Figure 16.

Table 21. SPI Address and R/W Byte Format

Bit 0	Bit 1	Bit 2	Bit 3	Bit 4	Bit 5	Bit 6	Bit 7
0	0	0	0	1	1	0	R/W

When reading data from the ADAU1962, the MISO pin is tristated until the third byte, at which point it drives the data out (see Figure 16). The MISO pin is tristated at all other times, allowing the pin to be bussed with other devices; see Figure 17 for the timing requirements.

Chip Address R/W

The LSB of the first byte of a SPI transaction is an R/W bit. This bit determines whether the communication is a read (Logic Level 1) or a write (Logic Level 0); see Table 21 for this format.

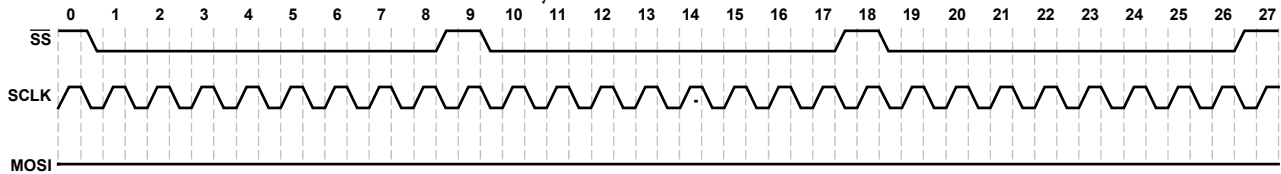


Figure 14. SPI Mode Initial Sequence

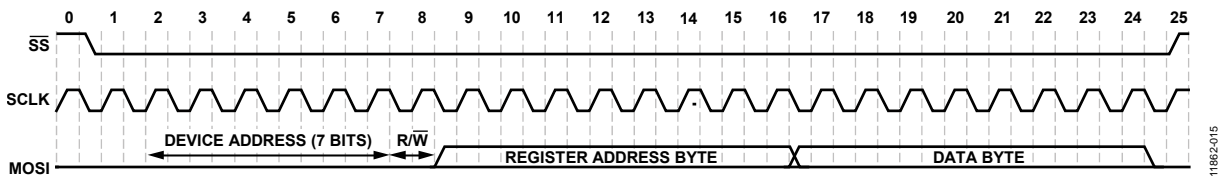


Figure 15. SPI Write to ADAU1962 Clocking

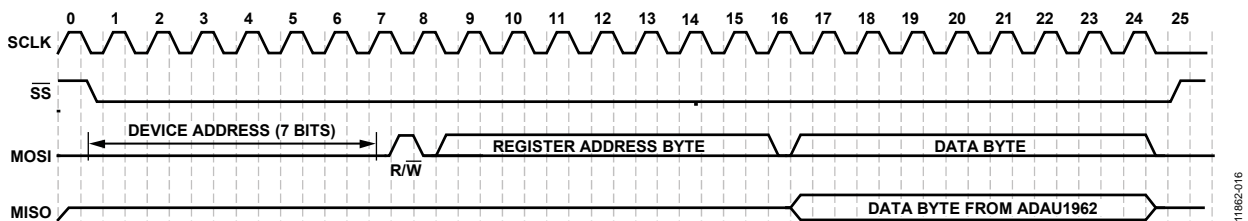


Figure 16. SPI Read from ADAU1962 Clocking

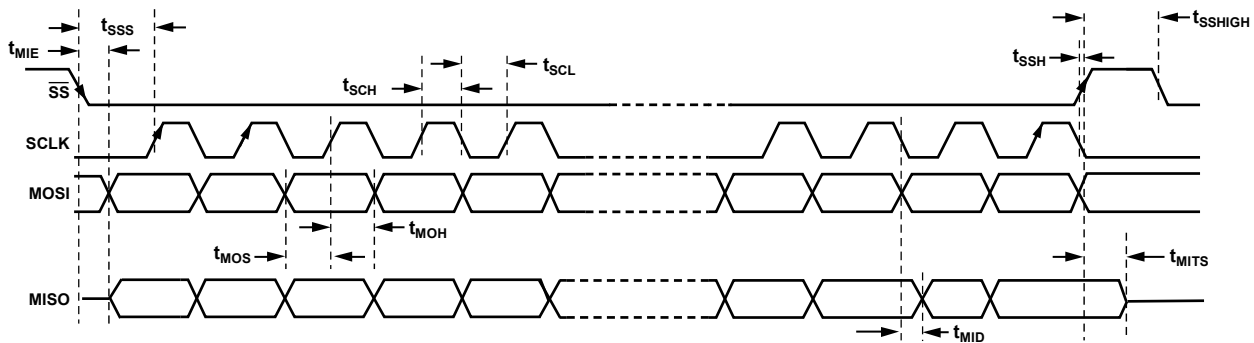


Figure 17. Format of the SPI Signal

SPI Burst Read/Write

The SPI port is capable of performing burst reads or writes. This is accomplished by sending the chip address byte with the $\overline{R/W}$ bit followed by the first register address that needs to be read or written to. Then, as long as \overline{SS} (on the $\overline{SS}/ADDR0/SA$ pin) is held low, registers can be sequentially read or written by continuing to send out clock pulses into SCLK (on the SCLK/SCL/SA pin). To initialize the ADAU1962

1. Send the address byte with the $\overline{R/W}$ bit low (write).
2. Send the address of the first register.
3. Send all the register byte values.
4. Toggle the \overline{SS} pin to end the transfer.
5. Perform a burst read to verify the register writes were successful.

When referencing back to Analog Devices legacy devices, different pin names (mnemonics) were used for these SPI port functions. See Table 22 for details of the changes.

Table 22. SPI Port Pin Naming Conventions

Pin No.	Legacy Pin Mnemonic	New Pin Mnemonic
42	CDATA	MOSI
43	COUT	MISO
44	CCLK	SCLK
45	\overline{CLATCH}	\overline{SS}

POWER SUPPLY AND VOLTAGE REFERENCE

The ADAU1962 is designed for 5 V analog and 2.5 V digital supplies. To minimize noise pickup, bypass the power supply pins with 100 nF ceramic chip capacitors placed as close to the pins as possible. Provide a bulk aluminum electrolytic capacitor of at least 22 μ F for each rail on the same PCB as the codec. It is important that the analog supply be as clean as possible.

The ADAU1962 includes a 2.5 V regulator driver that requires only an external pass transistor and bypass capacitors to make a 2.5 V regulator from a 5 V supply. Decouple the VSUPPLY and VSENSE pins with no more than 10 μ F of capacitance in parallel with 100 nF high frequency bypassing. If the regulator driver is not used, connect VSUPPLY and VDRIVE to DGND, and leave VSENSE unconnected.

All digital inputs are compatible with TTL and CMOS levels. All outputs are driven from the 3.3 V or 5 V IOVDD supply and are compatible with TTL and 3.3 V CMOS levels.

The temperature sensor internal voltage reference (V_{TS_REF}) is made available on the TS_REF pin to filter the reference with external capacitors; bypass this pin as close to the chip as possible with a parallel combination of 10 μ F and 100 nF capacitors.

The internal band gap reference that drives the common-mode reference voltage for the DACs and appears on the CM pin can be disabled in the PLL_CLK_CTRL1 register by setting VREF_EN to 0. Then, the CM pin can be driven from an external source. Use this configuration to scale all of the DACx outputs to the clipping level of a power amplifier based on its power supply voltage.

The CM pin is the internal common-mode reference. Bypass CM as close to the chip as possible with a parallel combination of 10 μ F and 100 nF capacitors. Use this voltage to bias external op amps to the common-mode voltage of the analog input and output signal pins. To provide a quiet, low impedance source for the external circuitry, isolate the CM pin from the external circuitry using a high quality buffer. Use of a quiet op amp is critical because any noise added to the reference voltage is injected into the signal path.

SERIAL DATA PORTS—DATA FORMAT

The 12 DAC channels use a common serial bit clock (DBCLK) and a common left right framing clock (DLRCLK) in the serial data port. The clock signals are all synchronous with the sample rate. The normal stereo serial modes are shown in Figure 18.

The DACx serial data mode defaults to I²S (1-bit clock delay) upon power-up and reset. The ports can also be programmed for left justified and right justified (24-bit and 16-bit) operation using DAC_CTRL0[7:6]. Select stereo and TDM modes using DAC_CTRL0[5:3]. The polarity of the DLRCLK pin is programmable according to the DAC_CTRL1[5] bit, allowing for easy channel swapping.

The DBCLK pin can latch on the rising or the falling edge of the clock signal. The DAC_CTRL1[1] bit selects the active edge.

The serial ports are programmable, becoming either clock masters or slaves depending on the setting of the DAC_CTRL1[0] bit. By default, the serial ports are in slave mode.

TIME DIVISION MULTIPLEXED (TDM) MODES

The ADAU1962 serial ports also have several different TDM serial data modes. The ADAU1962 can support a single data line (TDM16), a dual data line (TDM8), a quad data line (TDM4), or eight data lines (TDM2). The DLRCLK/frame clock can operate in both single cycle pulse mode and a 50% duty cycle mode. Both 16-bit clocks or 32-bit clocks per channel are selectable for each mode.

The input/output pins of the serial ports are defined according to the serial mode that is selected. For a detailed description of the function of each pin in TDM and stereo modes, see Table 23.

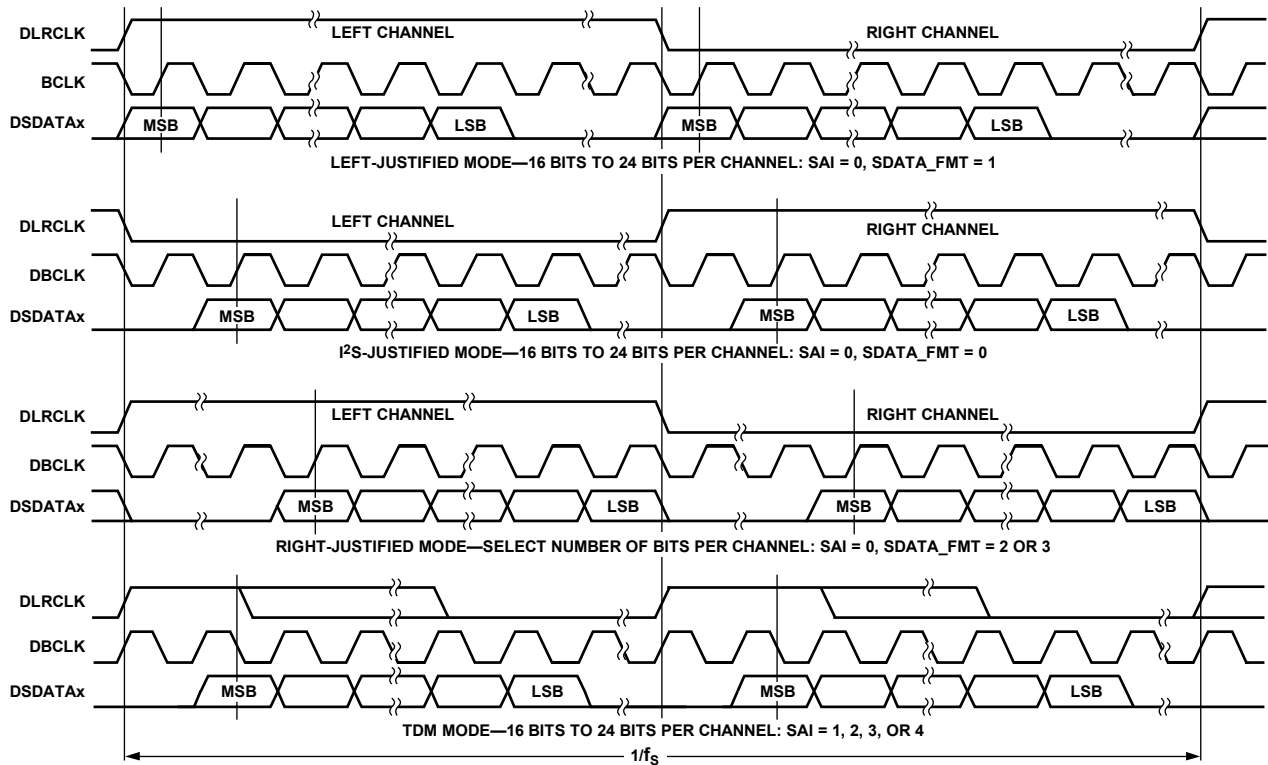


Figure 18. Stereo and TDM Serial Audio Modes

11862-018

Table 23. Pin Function Changes in Different Serial Audio Interface (SAI) Modes

Signal	Stereo Modes (SAI = 0 or SAI = 1)	TDM4 Mode (SAI = 2)	TDM8 Mode (SAI = 3)	TDM16 Mode (SAI = 4)
DSDATA1	Channel 1/Channel 2 data input	Channel 1 to Channel 4 data input	Channel 1 to Channel 8 data input	Channel 1 to Channel 12 data input
DSDATA2	Channel 3/Channel 4 data input	Channel 5 to Channel 8 data input	Channel 9 to Channel 12 data input	Not used
DSDATA3	Channel 5/Channel 6 data input	Channel 9 to Channel 12 data input	Not used	Not used
DSDATA4	Channel 7/Channel 8 data input	Not used	Not used	Not used
DSDATA5	Channel 9/Channel 10 data input	Not used	Not used	Not used
DSDATA6	Channel 11/Channel 12 data input	Not used	Not used	Not used
DLRCLK	DLRCLK input/DLRCLK output	TDM frame sync input/ TDM frame sync output	TDM frame sync input/ TDM frame sync output	TDM frame sync input/ TDM frame sync output
DBCLK	DBCLK input/DBCLK output	TDM DBCLK input/ TDM DBCLK output	TDM DBCLK input/ TDM DBCLK output	TDM DBCLK input/ TDM DBCLK output
Maximum Sample Rate	192 kHz	192 kHz	96 kHz	48 kHz

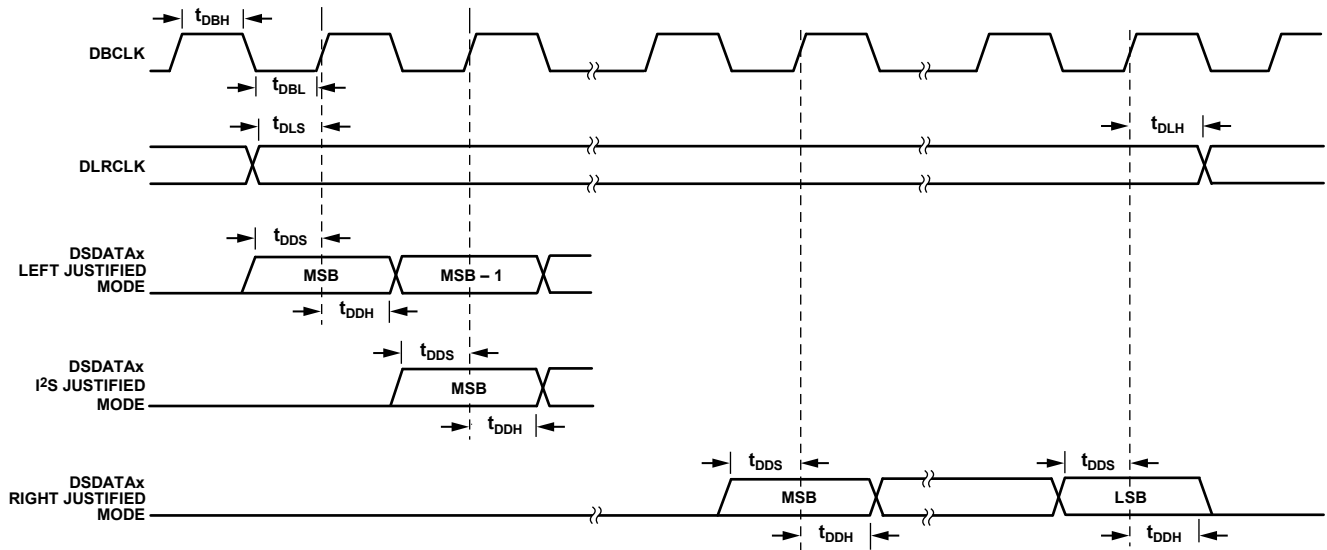


Figure 19. DAC Serial Timing

1162c-019

TEMPERATURE SENSOR

The ADAU1962 has an on-board temperature sensor that allows the user to read the temperature of the silicon inside of the device. The temperature sensor readout has a range of -60°C to $+140^{\circ}\text{C}$ in 1°C steps. The PDN_THRMSSENS_CTRL_1 register controls the settings of the sensor.

The temperature sensor powers on by default and can be shut off by setting the TS_PDN bit to 1 in the PDN_THRMSSENS_CTRL_1 register. The temperature sensor can run in either continuous operation or one shot mode. The temperature sensor conversion mode is modified using Bit 5, THRM_MODE; the default is THRM_MODE = 1, one shot mode. In one shot mode, writing a 0 followed by writing a 1 to Bit 4, THRM_GO, results in a single reset and temperature conversion, placing the resulting temperature data in the THRM_TEMP_STAT register.

In continuous operation mode, the data conversion takes place at a rate set by Bits[7:6], THRM_RATE, with a range of 0.5 sec to 4 sec between samples. Faster rates are possible using one shot mode.

When a temperature conversion is placed in the THRM_TEMP_STAT register, the data can be translated into degrees Celsius ($^{\circ}\text{C}$) using the following steps:

1. Convert the binary or hexadecimal data read from THRM_TEMP_STAT into decimal form.
2. Subtract 60 from the converted THRM_TEMP_STAT data (TEMP); this is the temperature of the silicon in $^{\circ}\text{C}$.

ADDITIONAL MODES

The ADAU1962 offers several additional modes for board level design enhancements. To reduce the EMI in the board level design, serial data can be transmitted without an explicit bit clock input on the DBCLK pin. See Figure 20 for an example of a DAC data transmission in TDM mode that does not require a high speed bit clock or an external master clock. This configuration is applicable when the ADAU1962 master clock is generated by the PLL with the DLRCLK pin as the PLL reference frequency.

To relax the requirement for the setup time of the ADAU1962 in cases of high speed TDM data transmission, the ADAU1962 can latch in the data using the falling edge of the DBCLK pin; see the BCLK_EDGE bit in the DAC_CTRL1 register. This effectively dedicates the entire bit clock period to the setup time. This mode is useful in cases where the source has a large delay time in the serial data driver. Figure 21 shows this inverted bit clock mode of data transmission.

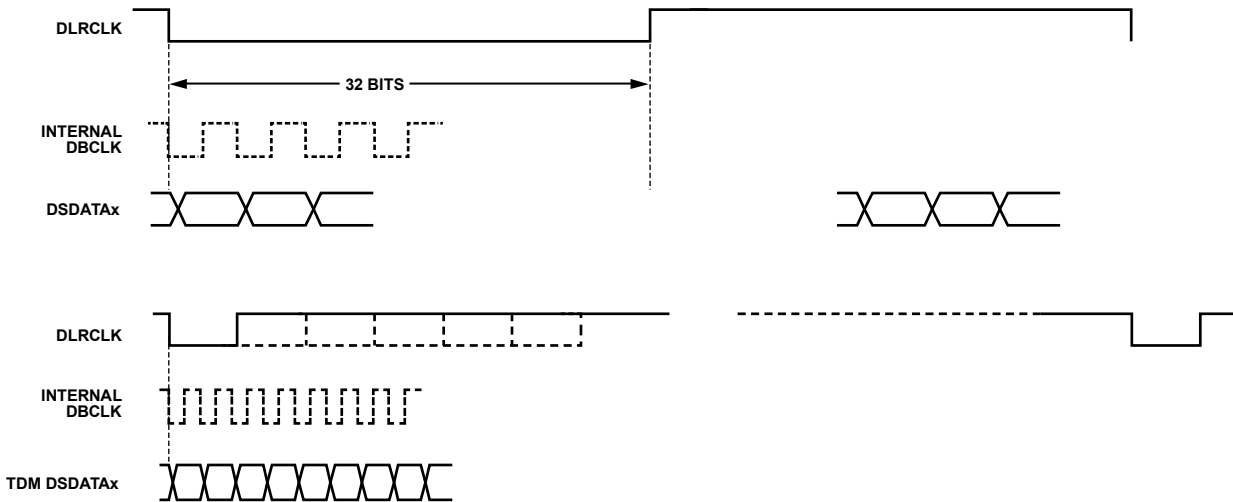


Figure 20. Serial DAC Data Transmission in TDM Format Without a Bit Clock Input on the DBCLK Pin
(Applicable Only If PLL Locks to the Left Right Clock on the DLRCLK Pin)

Figure 21. Inverted Bit Clock Mode in DAC Serial Data Transmission
(Applicable in Stereo and TDM, Useful for High Frequency TDM Transmission)

11862-020

11862-021

REGISTER SUMMARY

Table 24. ADAU1962 Register Summary

Reg	Name	Bits	Bit 7	Bit 6	Bit 5	Bit 4	Bit 3	Bit 2	Bit 1	Bit 0	Reset	RW	
0x00	PLL_CLK_CTRL0	[7:0]	PLLIN		XTAL_SET		SOFT_RST	MCS		PUP	0x00	RW	
0x01	PLL_CLK_CTRL1	[7:0]	LOPWR_MODE		MCLKO_SEL		PLL_MUTE	PLL_LOCK	VREF_EN	CLK_SEL	0x2A	RW	
0x02	PDN_THRMSSENS_CTRL_1	[7:0]	THRM_RATE		THRM_MODE	THRM_GO	RESERVED	TS_PDN	PLL_PDN	VREG_PDN	0xA0	RW	
0x03	PDN_CTRL2	[7:0]	DAC08_PDN	DAC07_PDN	DAC06_PDN	DAC05_PDN	DAC04_PDN	DAC03_PDN	DAC02_PDN	DAC01_PDN	0x00	RW	
0x04	PDN_CTRL3	[7:0]	RESERVED				DAC12_PDN	DAC11_PDN	DAC10_PDN	DAC09_PDN	0x00	RW	
0x05	THRM_TEMP_STAT	[7:0]	TEMP									0x00	R
0x06	DAC_CTRL0	[7:0]	SDATA_FMT		SAI			FS		MMUTE	0x01	RW	
0x07	DAC_CTRL1	[7:0]	BCLK_GEN	LRCLK_MODE	LRCLK_POL	SAI_MSB	RESERVED	BCLK_RATE	BCLK_EDGE	SAI_MS	0x00	RW	
0x08	DAC_CTRL2	[7:0]	RESERVED	VREG_CTRL		BCLK_TDMC	DAC_POL	AUTO_MUTE_EN	DAC_OSR	DE_EMP_EN	0x06	RW	
0x09	DAC_MUTE1	[7:0]	DAC08_MUTE	DAC07_MUTE	DAC06_MUTE	DAC05_MUTE	DAC04_MUTE	DAC03_MUTE	DAC02_MUTE	DAC01_MUTE	0x00	RW	
0x0A	DAC_MUTE2	[7:0]	RESERVED				DAC12_MUTE	DAC11_MUTE	DAC10_MUTE	DAC09_MUTE	0x00	RW	
0x0B	DACMSTR_VOL	[7:0]	DACMSTR_VOL									0x00	RW
0x0C	DAC01_VOL	[7:0]	DAC01_VOL									0x00	RW
0x0D	DAC02_VOL	[7:0]	DAC02_VOL									0x00	RW
0x0E	DAC03_VOL	[7:0]	DAC03_VOL									0x00	RW
0x0F	DAC04_VOL	[7:0]	DAC04_VOL									0x00	RW
0x10	DAC05_VOL	[7:0]	DAC05_VOL									0x00	RW
0x11	DAC06_VOL	[7:0]	DAC06_VOL									0x00	RW
0x12	DAC07_VOL	[7:0]	DAC07_VOL									0x00	RW
0x13	DAC08_VOL	[7:0]	DAC08_VOL									0x00	RW
0x14	DAC09_VOL	[7:0]	DAC09_VOL									0x00	RW
0x15	DAC10_VOL	[7:0]	DAC10_VOL									0x00	RW
0x16	DAC11_VOL	[7:0]	DAC11_VOL									0x00	RW
0x17	DAC12_VOL	[7:0]	DAC12_VOL									0x00	RW
0x1C	CM_SEL_PAD_STRGTH	[7:0]	RESERVED	RESERVED	PAD_DRV	RESERVED	RESERVED	RESERVED	RESERVED	RESERVED	0x02	RW	
0x1D	DAC_POWER1	[7:0]	DAC04_POWER		DAC03_POWER		DAC02_POWER		DAC01_POWER			0xAA	RW
0x1E	DAC_POWER2	[7:0]	DAC08_POWER		DAC07_POWER		DAC06_POWER		DAC05_POWER			0xAA	RW
0x1F	DAC_POWER3	[7:0]	DAC12_POWER		DAC11_POWER		DAC10_POWER		DAC09_POWER			0xAA	RW

REGISTER DETAILS

PLL AND CLOCK CONTROL 0 REGISTER

Address: 0x00, Reset: 0x00, Name: PLL_CLK_CTRL0

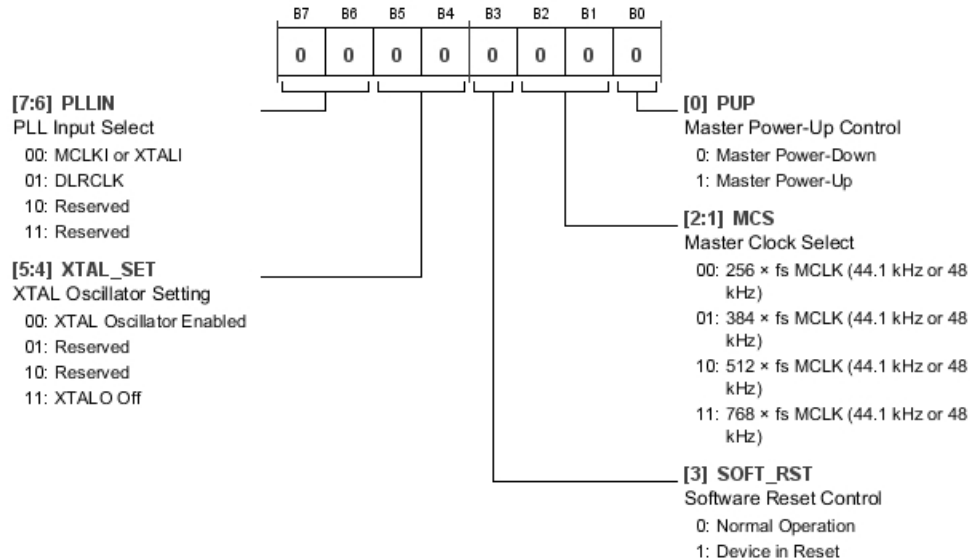


Table 25. Bit Descriptions for PLL_CLK_CTRL0

Bit No.	Bit Name	Settings	Description	Reset	Access
[7:6]	PLLIN	00 01 10 11	PLL Input Select. Selects MCLKI/XTALI or DLRCLK pins as the input to the PLL. MCLKI or XTALI. DLRCLK. Reserved. Reserved.	0x0	RW
[5:4]	XTAL_SET	00 01 10 11	XTAL Oscillator Setting. XTALO pin status. XTAL Oscillator Enabled. Reserved. Reserved. XTALO Off.	0x0	RW
3	SOFT_RST	0 1	Software Reset Control. This bit resets all circuitry inside the integrated circuit, except I ² C/SPI communications. All control registers are reset to default values, except Register 0x00 and Register 0x01. The PLL_CLK_CTRLx registers do not change state. Normal Operation. Device in Reset.	0x0	RW
[2:1]	MCS	00 01 10 11	Master Clock Select. MCLKI/XTALI pin functionality (PLL active), master clock rate setting. The following values are for the f_s rate range from 32 kHz to 48 kHz. See Table 12 for details when using other f_s selections. $256 \times f_s$ MCLK (44.1 kHz or 48 kHz). $384 \times f_s$ MCLK (44.1 kHz or 48 kHz). $512 \times f_s$ MCLK (44.1 kHz or 48 kHz). $768 \times f_s$ MCLK (44.1 kHz or 48 kHz).	0x0	RW
0	PUP	0 1	Master Power-Up Control. This bit must be set to 1 as the first register write to power up the IC. Master Power-Down. Master Power-Up.	0x0	RW

PLL AND CLOCK CONTROL 1 REGISTER

Address: 0x01, Reset: 0x2A, Name: PLL_CLK_CTRL1

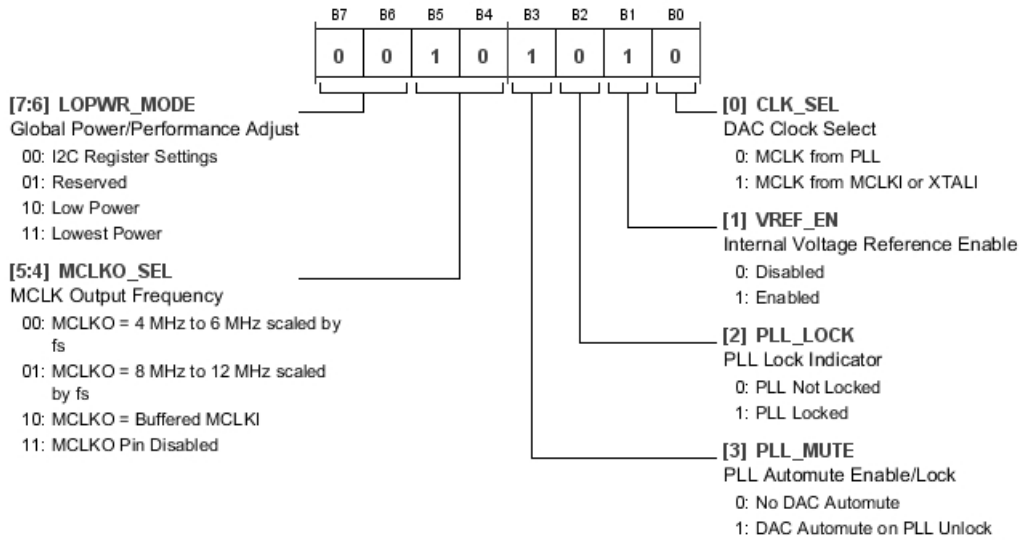


Table 26. Bit Descriptions for PLL_CLK_CTRL1

Bit No.	Bit Name	Settings	Description	Reset	Access
[7:6]	LOPWR_MODE	00 01 10 11	Global Power/Performance Adjust. These bits adjust the power consumption and performance level for all 12 DAC channels simultaneously. See the Digital-to-Analog Converters (DACs) section for more details. I ² C register settings. Reserved. Low Power. Lowest Power.	0x0	RW
[5:4]	MCLKO_SEL	00 01 10 11	MCLKO Output Frequency. Frequency selection for MCLKO pin. See the Clock Signals section for more details. MCLKO = 4 MHz to 6 MHz scaled by fs. MCLKO = 8 MHz to 12 MHz scaled by fs. MCLKO = Buffered MCLKI. MCLKO Pin Disabled.	0x2	RW
3	PLL_MUTE	0 1	PLL Automute Enable/Lock. This bit enables the PLL lock automute function. No DAC Automute. DAC Automute on PLL Unlock.	0x1	RW
2	PLL_LOCK	0 1	PLL Lock Indicator. PLL Not Locked. PLL Locked.	0x0	R
1	VREF_EN	0 1	Internal Voltage Reference Enable. The internal voltage reference powers the common mode for the ADAU1962. Disabling this bit allows the user to drive the CM pin with an outside voltage source. Disabled. Enabled.	0x1	RW
0	CLK_SEL	0 1	DAC Clock Select. Selects PLL or direct master clock mode. MCLK from PLL. MCLK from MCLKI or XTALI.	0x0	RW

BLOCK POWER-DOWN AND THERMAL SENSOR CONTROL 1 REGISTER

Address: 0x02, Reset: 0xA0, Name: PDN_THRMSSENS_CTRL_1

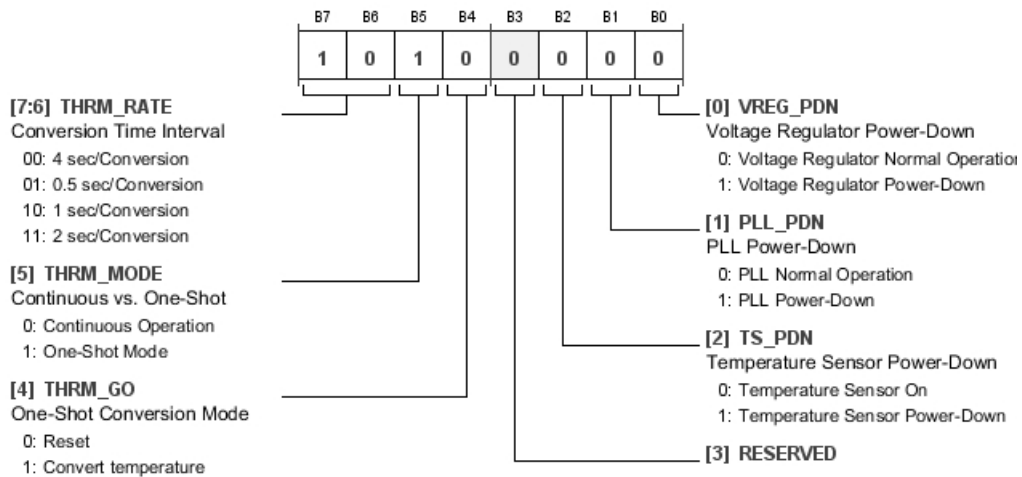


Table 27. Bit Descriptions for PDN_THRMSSENS_CTRL_1

Bit No.	Bit Name	Settings	Description	Reset	Access
[7:6]	THRM_RATE	00 01 10 11	Conversion Time Interval. When THRM_MODE = 0, the THRM_RATE bits control the time interval between temperature conversions. 4 sec/Conversion. 0.5 sec/Conversion. 1 sec/Conversion. 2 sec/Conversion.	0x2	RW
5	THRM_MODE	0 1	Continuous vs. One Shot. This bit determines whether the temperature conversions occur continuously or only when commanded. To perform one shot temperature conversions, set this bit to 1. Continuous Operation. One Shot Mode.	0x1	RW
4	THRM_GO	0 1	One Shot Conversion Mode. When in one shot conversion mode, THRM_MODE = 1, the THRM_GO bit must be set to 0 followed by a write of 1. This sequence results in a single temperature conversion. The temperature data is available 120 ms after writing a 1 to this bit. Reset. Convert Temperature.	0x0	RW
2	TS_PDN	0 1	Temperature Sensor Power-Down. Temperature Sensor On. Temperature Sensor Power-Down.	0x0	RW
1	PLL_PDN	0 1	PLL Power-Down. PLL Normal Operation. PLL Power-Down.	0x0	RW
0	VREG_PDN	0 1	Voltage Regulator Power-Down. Voltage Regulator Normal Operation. Voltage Regulator Power-Down.	0x0	RW

POWER-DOWN CONTROL 2 REGISTER

Address: 0x03, Reset: 0x00, Name: PDN_CTRL2

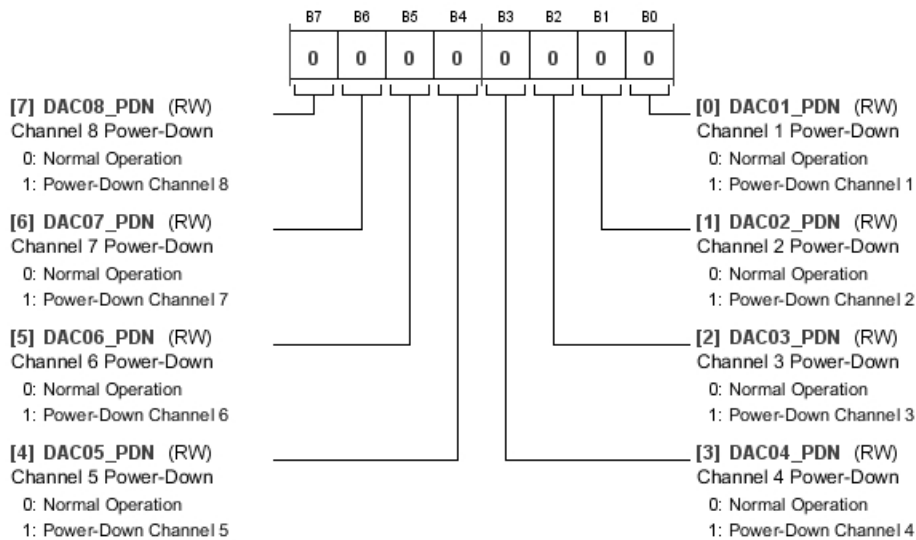


Table 28. Bit Descriptions for PDN_CTRL2

Bit No.	Bit Name	Settings	Description	Reset	Access
7	DAC08_PDN	0 1	Channel 8 Power-Down Normal Operation Power-Down Channel 8	0x0	RW
6	DAC07_PDN	0 1	Channel 7 Power-Down Normal Operation Power-Down Channel 7	0x0	RW
5	DAC06_PDN	0 1	Channel 6 Power-Down Normal Operation Power-Down Channel 6	0x0	RW
4	DAC05_PDN	0 1	Channel 5 Power-Down Normal Operation Power-Down Channel 5	0x0	RW
3	DAC04_PDN	0 1	Channel 4 Power-Down Normal Operation Power-Down Channel 4	0x0	RW
2	DAC03_PDN	0 1	Channel 3 Power-Down Normal Operation Power-Down Channel 3	0x0	RW
1	DAC02_PDN	0 1	Channel 2 Power-Down Normal Operation Power-Down Channel 2	0x0	RW
0	DAC01_PDN	0 1	Channel 1 Power-Down Normal Operation Power-Down Channel 1	0x0	RW

POWER-DOWN CONTROL 3 REGISTER

Address: 0x04, Reset: 0x00, Name: PDN_CTRL3

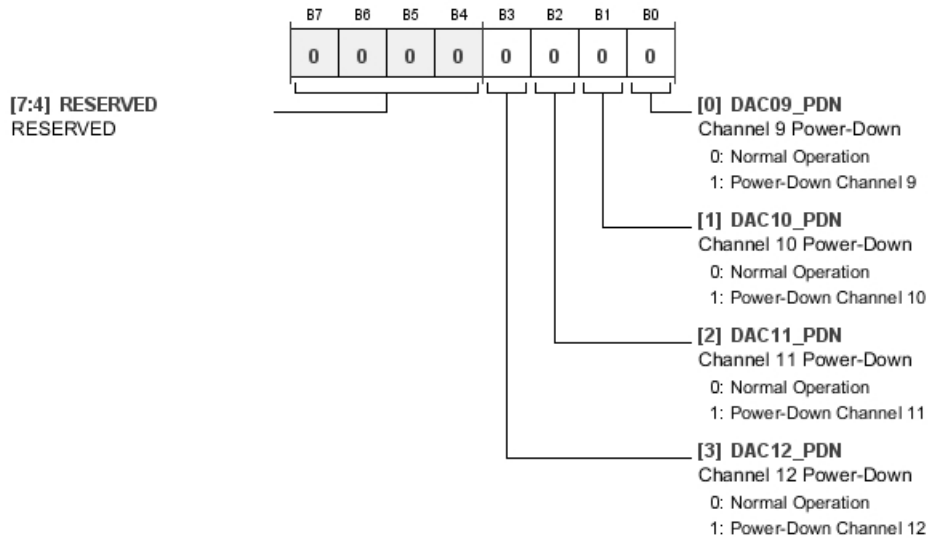


Table 29. Bit Descriptions for PDN_CTRL3

Bit No.	Bit Name	Settings	Description	Reset	Access
3	DAC12_PDN	0 1	Channel 12 Power-Down Normal Operation Power-Down Channel 12	0x0	RW
2	DAC11_PDN	0 1	Channel 11 Power-Down Normal Operation Power-Down Channel 11	0x0	RW
1	DAC10_PDN	0 1	Channel 10 Power-Down Normal Operation Power-Down Channel 10	0x0	RW
0	DAC09_PDN	0 1	Channel 9 Power-Down Normal Operation Power-Down Channel 9	0x0	RW

THERMAL SENSOR TEMPERATURE READOUT REGISTER

Address: 0x05, Reset: 0x00, Name: THRM_TEMP_STAT

The thermal sensor temperature readout range is -60°C to +140°C with a 1°C step size. Read this register and convert the hexadecimal or binary TEMP bit value into decimal form; then subtract 60 from this decimal conversion. The result is the temperature in degrees Celsius.

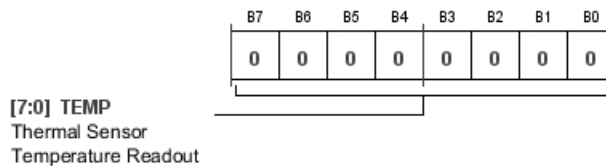


Table 30. Bit Descriptions for THRM_TEMP_STAT

Bit No.	Bit Name	Settings	Description	Reset	Access
[7:0]	TEMP		Thermal Sensor Temperature Readout. -60°C to +140°C range, 1°C step size. To convert the TEMP code to temperature, use the equation (TEMP - 60).	0x00	R

DAC CONTROL 0 REGISTER

Address: 0x06, Reset: 0x01, Name: DAC_CTRL0

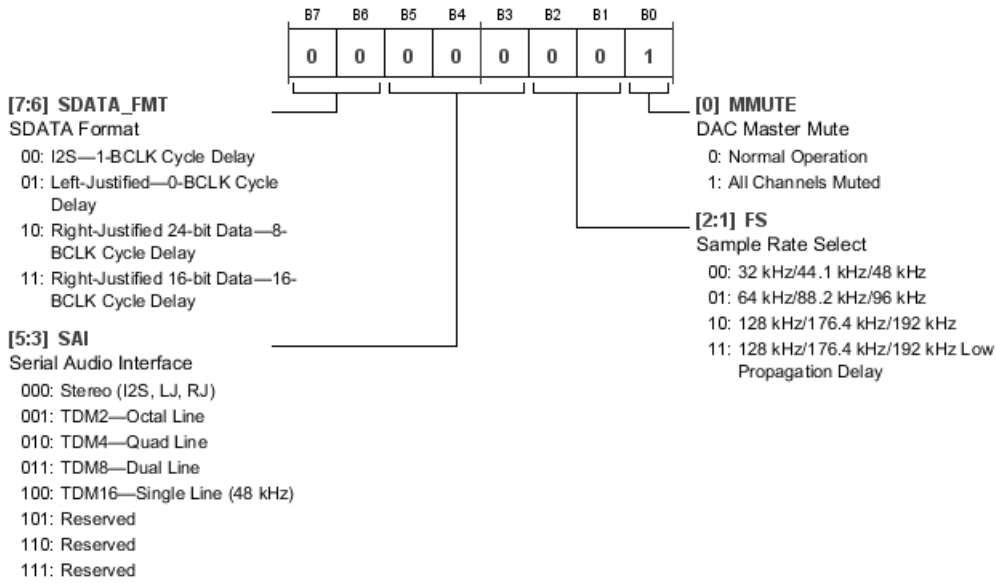
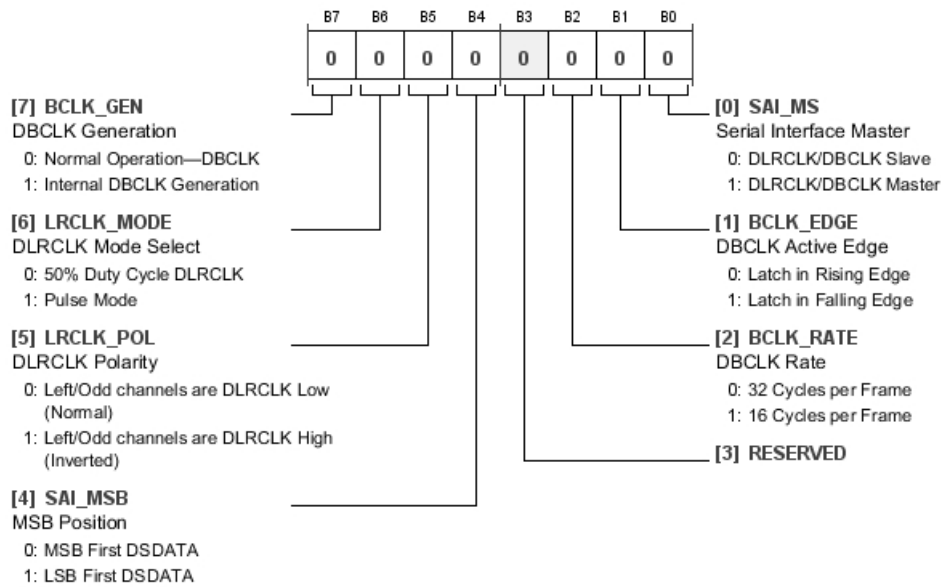


Table 31. Bit Descriptions for DAC_CTRL0

Bit No.	Bit Name	Settings	Description	Reset	Access
[7:6]	SDATA_FMT	00 01 10 11	SDATA Format. Only used when SAI = 000. I ² S = 1 BCLK Cycle Delay. Left Justified = 0 BCLK Cycle Delay. Right Justified 24-Bit Data = 8 BCLK Cycle Delay. Right Justified 16-Bit Data = 16 BCLK Cycle Delay.	0x0	RW
[5:3]	SAI	000 001 010 011 100 101 110 111	Serial Audio Interface. When SAI = 000, the SDATA_FMT bits control the stereo SDATA format. Stereo (I ² S, left justified, right justified). TDM2 = Octal Line. TDM4 = Quad Line. TDM8 = Dual Line. TDM16 = Single Line (48 kHz). Reserved. Reserved. Reserved.	0x0	RW
[2:1]	FS	00 01 10 11	Sample Rate Select. 32 kHz/44.1 kHz/48 kHz. 64 kHz/88.2 kHz/96 kHz. 128 kHz/176.4 kHz/192 kHz. 128 kHz/176.4 kHz/192 kHz Low Propagation Delay.	0x0	RW
0	MMUTE	0 1	DAC Master Mute. Normal Operation. All Channels Muted.	0x1	RW

DAC CONTROL 1 REGISTER

Address: 0x07, Reset: 0x00, Name: DAC_CTRL1

**Table 32. Bit Descriptions for DAC_CTRL1**

Bit No.	Bit Name	Settings	Description	Reset	Access
7	BCLK_GEN	0 1	DBCLK Generation. When the PLL is locked to the DLRCLK pin, it is possible to run the ADAU1962 without an external bit clock. 0 Normal Operation—DBCLK. 1 Internal DBCLK Generation.	0x0	RW
6	LRCLK_MODE	0 1	DLRCLK Mode Select. Only valid for TDM modes. 0 50% Duty Cycle DLRCLK. 1 Pulse Mode.	0x0	RW
5	LRCLK_POL	0 1	DLRCLK Polarity. Allows the swapping of data between channels. 0 Left/Odd Channels Are DLRCLK Low (Normal). 1 Left/Odd Channels Are DLRCLK High (Inverted).	0x0	RW
4	SAI_MSB	0 1	MSB Position. 0 MSB First DSDATAx. 1 LSB First DSDATAx.	0x0	RW
2	BCLK_RATE	0 1	DBCLK Rate. Number of bit clock cycles per channel slot. Used only for generating bit clock in master mode operation (SAI_MS = 1). 0 32 Cycles per Frame. 1 16 Cycles per Frame.	0x0	RW
1	BCLK_EDGE	0 1	DBCLK Active Edge. Adjusts the polarity of the bit clock leading edge. 0 Latch in Rising Edge. 1 Latch in Falling Edge.	0x0	RW
0	SAI_MS	0 1	Serial Interface Master. Both the DLRCLK and DBCLK pins become the master when enabled. 0 DLRCLK/DBCLK Slave. 1 DLRCLK/DBCLK Master.	0x0	RW

DAC CONTROL 2 REGISTER

Address: 0x08, Reset: 0x06, Name: DAC_CTRL2

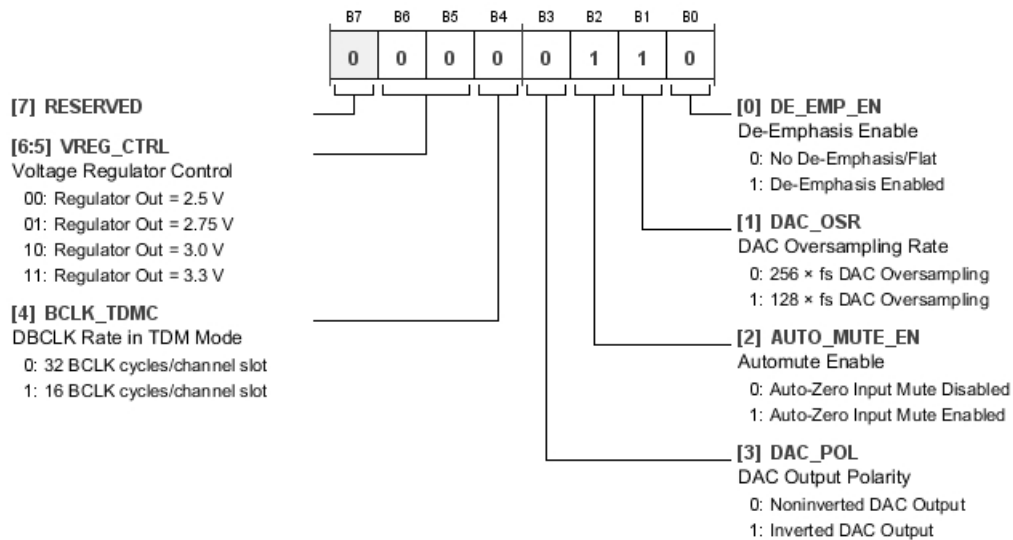


Table 33. Bit Descriptions for DAC_CTRL2

Bit No.	Bit Name	Settings	Description	Reset	Access
[6:5]	VREG_CTRL	00 01 10 11	Voltage Regulator Control. Selects the regulator output voltage. Regulator Output = 2.5 V. Regulator Output = 2.75 V. Regulator Output = 3.0 V. Regulator Output = 3.3 V.	0x0	RW
4	BCLK_TDMC	0 1	DBCLK Rate in TDM Mode. Number of bit clock cycles per channel slot when in TDM mode. 32 BCLK Cycles/Channel Slot. 16 BCLK Cycles/Channel Slot.	0x0	RW
3	DAC_POL	0 1	DAC Output Polarity. This is a global switch of DAC polarity. Noninverted DAC Output. Inverted DAC Output.	0x0	RW
2	AUTO_MUTE_EN	0 1	Automute Enable. Automatically mutes the DACs when 1024 consecutive zero input samples are received. This is independent per channel. Auto-Zero Input Mute Disabled. Auto-Zero Input Mute Enabled.	0x1	RW
1	DAC_OSR	0 1	DAC Oversampling Rate (OSR). OSR selection. 256 × fs DAC Oversampling. 128 × fs DAC Oversampling.	0x1	RW
0	DE_EMP_EN	0 1	De-Emphasis Enable. No De-Emphasis/Flat. De-Emphasis Enabled.	0x0	RW

DAC INDIVIDUAL CHANNEL MUTES 1 REGISTER

Address: 0x09, Reset: 0x00, Name: DAC_MUTE1

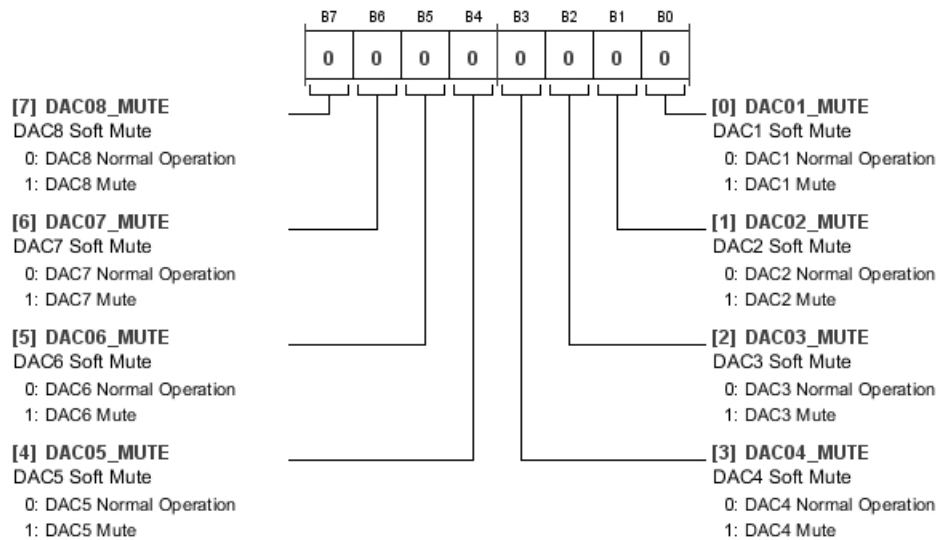


Table 34. Bit Descriptions for DAC_MUTE1

Bit No.	Bit Name	Settings	Description	Reset	Access
7	DAC08_MUTE	0 1	DAC8 Soft Mute DAC8 Normal Operation DAC8 Mute	0x0	RW
6	DAC07_MUTE	0 1	DAC7 Soft Mute DAC7 Normal Operation DAC7 Mute	0x0	RW
5	DAC06_MUTE	0 1	DAC6 Soft Mute DAC6 Normal Operation DAC6 Mute	0x0	RW
4	DAC05_MUTE	0 1	DAC5 Soft Mute DAC5 Normal Operation DAC5 Mute	0x0	RW
3	DAC04_MUTE	0 1	DAC4 Soft Mute DAC4 Normal Operation DAC4 Mute	0x0	RW
2	DAC03_MUTE	0 1	DAC3 Soft Mute DAC3 Normal Operation DAC3 Mute	0x0	RW
1	DAC02_MUTE	0 1	DAC2 Soft Mute DAC2 Normal Operation DAC2 Mute	0x0	RW
0	DAC01_MUTE	0 1	DAC1 Soft Mute DAC1 Normal Operation DAC1 Mute	0x0	RW

DAC INDIVIDUAL CHANNEL MUTES 2 REGISTER

Address: 0x0A, Reset: 0x00, Name: DAC_MUTE2

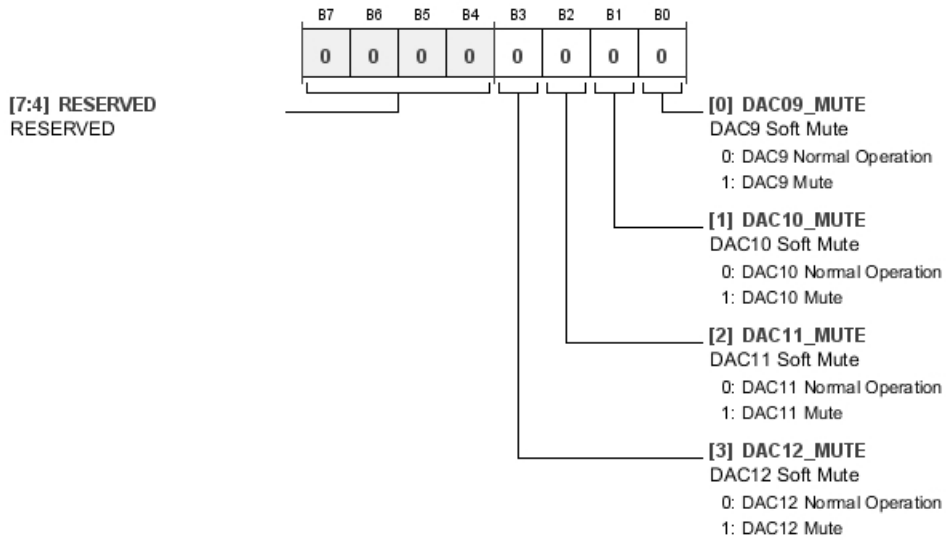
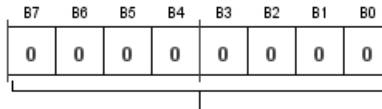


Table 35. Bit Descriptions for DAC_MUTE2

Bit No.	Bit Name	Settings	Description	Reset	Access
3	DAC12_MUTE		DAC12 Soft Mute 0 DAC12 Normal Operation 1 DAC12 Mute	0x0	RW
2	DAC11_MUTE		DAC11 Soft Mute 0 DAC11 Normal Operation 1 DAC11 Mute	0x0	RW
1	DAC10_MUTE		DAC10 Soft Mute 0 DAC10 Normal Operation 1 DAC10 Mute	0x0	RW
0	DAC09_MUTE		DAC9 Soft Mute 0 DAC9 Normal Operation 1 DAC9 Mute	0x0	RW

MASTER VOLUME CONTROL REGISTER

Address: 0x0B, Reset: 0x00, Name: DACMSTR_VOL



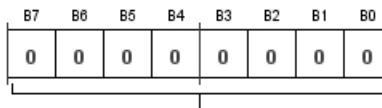
[7:0] DACMSTR_VOL
 Master Volume Control
 00000000: 0 dB (default)
 00000001: -0.375 dB
 00000010: -0.750 dB
 11111110: -95.250 dB
 11111111: -95.625 dB

Table 36. Bit Descriptions for DACMSTR_VOL

Bit No.	Bit Name	Settings	Description	Reset	Access
[7:0]	DACMSTR_VOL		Master Volume Control. Each 1-bit step corresponds to a 0.375 dB change in volume. See Table 53 for a complete list of the volume settings.	0x00	RW
		00000000	0 dB (default).		
		00000001	-0.375 dB.		
		00000010	-0.750 dB.		
		11111110	-95.250 dB.		
		11111111	-95.625 dB.		

DAC1 VOLUME CONTROL REGISTER

Address: 0x0C, Reset: 0x00, Name: DAC01_VOL



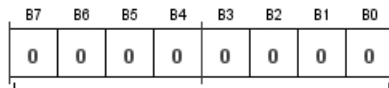
[7:0] DAC01_VOL
 DAC Volume Control Channel 1
 00000000: 0 dB (default)
 00000001: -0.375 dB
 00000010: -0.750 dB
 11111110: -95.250 dB
 11111111: -95.625 dB

Table 37. Bit Descriptions for DAC01_VOL

Bit No.	Bit Name	Settings	Description	Reset	Access
[7:0]	DAC01_VOL		DAC Volume Control Channel 1. Each 1-bit step corresponds to a 0.375 dB change in volume. See Table 53 for a complete list of the volume settings.	0x00	RW
		00000000	0 dB (default).		
		00000001	-0.375 dB.		
		00000010	-0.750 dB.		
		11111110	-95.250 dB.		
		11111111	-95.625 dB.		

DAC2 VOLUME CONTROL REGISTER

Address: 0x0D, Reset: 0x00, Name: DAC02_VOL



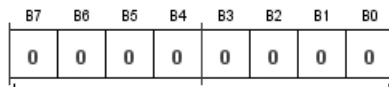
[7:0] DAC02_VOL
 DAC Volume Control Channel 2
 00000000: 0 dB (default)
 00000001: -0.375 dB
 00000010: -0.750 dB
 11111110: -95.250 dB
 11111111: -95.625 dB

Table 38. Bit Descriptions for DAC02_VOL

Bit No.	Bit Name	Settings	Description	Reset	Access
[7:0]	DAC02_VOL		DAC Volume Control Channel 2. Each 1-bit step corresponds to a 0.375 dB change in volume. See Table 53 for a complete list of the volume settings.	0x00	RW
		00000000	0 dB (default).		
		00000001	-0.375 dB.		
		00000010	-0.750 dB.		
		11111110	-95.250 dB.		
		11111111	-95.625 dB.		

DAC3 VOLUME CONTROL REGISTER

Address: 0x0E, Reset: 0x00, Name: DAC03_VOL



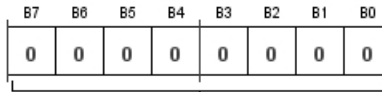
[7:0] DAC03_VOL
 DAC Volume Control Channel 3
 00000000: 0 dB (default)
 00000001: -0.375 dB
 00000010: -0.750 dB
 11111110: -95.250 dB
 11111111: -95.625 dB

Table 39. Bit Descriptions for DAC03_VOL

Bit No.	Bit Name	Settings	Description	Reset	Access
[7:0]	DAC03_VOL		DAC Volume Control Channel 3. Each 1-bit step corresponds to a 0.375 dB change in volume. See Table 53 for a complete list of the volume settings.	0x00	RW
		00000000	0 dB (default).		
		00000001	-0.375 dB.		
		00000010	-0.750 dB.		
		11111110	-95.250 dB.		
		11111111	-95.625 dB.		

DAC4 VOLUME CONTROL REGISTER

Address: 0x0F, Reset: 0x00, Name: DAC04_VOL



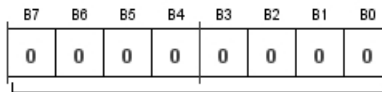
[7:0] DAC04_VOL
 DAC Volume Control Channel 4
 00000000: 0 dB (default)
 00000001: -0.375 dB
 00000010: -0.750 dB
 11111110: -95.250 dB
 11111111: -95.625 dB

Table 40. Bit Descriptions for DAC04_VOL

Bit No.	Bit Name	Settings	Description	Reset	Access
[7:0]	DAC04_VOL		DAC Volume Control Channel 4. Each 1-bit step corresponds to a 0.375 dB change in volume. See Table 53 for a complete list of the volume settings.	0x00	RW
		00000000	0 dB (default).		
		00000001	-0.375 dB.		
		00000010	-0.750 dB.		
		11111110	-95.250 dB.		
		11111111	-95.625 dB.		

DAC5 VOLUME CONTROL REGISTER

Address: 0x10, Reset: 0x00, Name: DAC05_VOL



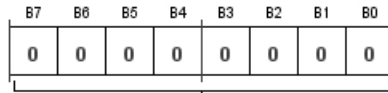
[7:0] DAC05_VOL
 DAC Volume Control Channel 5
 00000000: 0 dB (default)
 00000001: -0.375 dB
 00000010: -0.750 dB
 11111110: -95.250 dB
 11111111: -95.625 dB

Table 41. Bit Descriptions for DAC05_VOL

Bit No.	Bit Name	Settings	Description	Reset	Access
[7:0]	DAC05_VOL		DAC Volume Control Channel 5. Each 1-bit step corresponds to a 0.375 dB change in volume. See Table 53 for a complete list of the volume settings.	0x00	RW
		00000000	0 dB (default).		
		00000001	-0.375 dB.		
		00000010	-0.750 dB.		
		11111110	-95.250 dB.		
		11111111	-95.625 dB.		

DAC6 VOLUME CONTROL REGISTER

Address: 0x11, Reset: 0x00, Name: DAC06_VOL



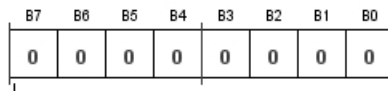
[7:0] DAC06_VOL
 DAC Volume Control Channel 6
 00000000: 0 dB (default)
 00000001: -0.375 dB
 00000010: -0.750 dB
 11111110: -95.250 dB
 11111111: -95.625 dB

Table 42. Bit Descriptions for DAC06_VOL

Bit No.	Bit Name	Settings	Description	Reset	Access
[7:0]	DAC06_VOL		DAC Volume Control Channel 6. Each 1-bit step corresponds to a 0.375 dB change in volume. See Table 53 for a complete list of the volume settings.	0x00	RW
		00000000	0 dB (default).		
		00000001	-0.375 dB.		
		00000010	-0.750 dB.		
		11111110	-95.250 dB.		
		11111111	-95.625 dB.		

DAC7 VOLUME CONTROL REGISTER

Address: 0x12, Reset: 0x00, Name: DAC07_VOL



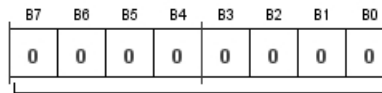
[7:0] DAC07_VOL
 DAC Volume Control Channel 7
 00000000: 0 dB (default)
 00000001: -0.375 dB
 00000010: -0.750 dB
 11111110: -95.250 dB
 11111111: -95.625 dB

Table 43. Bit Descriptions for DAC07_VOL

Bit No.	Bit Name	Settings	Description	Reset	Access
[7:0]	DAC07_VOL		DAC Volume Control Channel 7. Each 1-bit step corresponds to a 0.375 dB change in volume. See Table 53 for a complete list of the volume settings.	0x00	RW
		00000000	0 dB (default).		
		00000001	-0.375 dB.		
		00000010	-0.750 dB.		
		11111110	-95.250 dB.		
		11111111	-95.625 dB.		

DAC8 VOLUME CONTROL REGISTER

Address: 0x13, Reset: 0x00, Name: DAC08_VOL



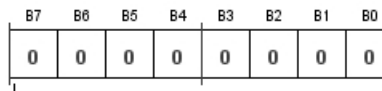
[7:0] DAC08_VOL
 DAC Volume Control Channel 8
 00000000: 0 dB (default)
 00000001: -0.375 dB
 00000010: -0.750 dB
 11111110: -95.250 dB
 11111111: -95.625 dB

Table 44. Bit Descriptions for DAC08_VOL

Bit No.	Bit Name	Settings	Description	Reset	Access
[7:0]	DAC08_VOL		DAC Volume Control Channel 8. Each 1-bit step corresponds to a 0.375 dB change in volume. See Table 53 for a complete list of the volume settings.	0x00	RW
		00000000	0 dB (default).		
		00000001	-0.375 dB.		
		00000010	-0.750 dB.		
		11111110	-95.250 dB.		
		11111111	-95.625 dB.		

DAC9 VOLUME CONTROL REGISTER

Address: 0x14, Reset: 0x00, Name: DAC09_VOL



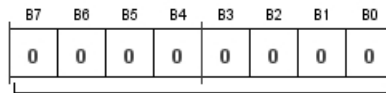
[7:0] DAC09_VOL
 DAC Volume Control Channel 9
 00000000: 0 dB (default)
 00000001: -0.375 dB
 00000010: -0.750 dB
 11111110: -95.250 dB
 11111111: -95.625 dB

Table 45. Bit Descriptions for DAC09_VOL

Bit No.	Bit Name	Settings	Description	Reset	Access
[7:0]	DAC09_VOL		DAC Volume Control Channel 9. Each 1-bit step corresponds to a 0.375 dB change in volume. See Table 53 for a complete list of the volume settings.	0x00	RW
		00000000	0 dB (default).		
		00000001	-0.375 dB.		
		00000010	-0.750 dB.		
		11111110	-95.250 dB.		
		11111111	-95.625 dB.		

DAC10 VOLUME CONTROL REGISTER

Address: 0x15, Reset: 0x00, Name: DAC10_VOL



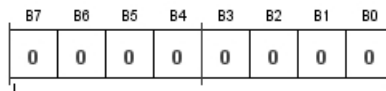
[7:0] DAC10_VOL
 DAC Volume Control Channel 10
 00000000: 0 dB (default)
 00000001: -0.375 dB
 00000010: -0.750 dB
 11111110: -95.250 dB
 11111111: -95.625 dB

Table 46. Bit Descriptions for DAC10_VOL

Bit No.	Bit Name	Settings	Description	Reset	Access
[7:0]	DAC10_VOL		DAC Volume Control Channel 10. Each 1-bit step corresponds to a 0.375 dB change in volume. See Table 53 for a complete list of the volume settings.	0x00	RW
		00000000	0 dB (default).		
		00000001	-0.375 dB.		
		00000010	-0.750 dB.		
		11111110	-95.250 dB.		
		11111111	-95.625 dB.		

DAC11 VOLUME CONTROL REGISTER

Address: 0x16, Reset: 0x00, Name: DAC11_VOL



[7:0] DAC11_VOL
 DAC Volume Control Channel 11
 00000000: 0 dB (default)
 00000001: -0.375 dB
 00000010: -0.750 dB
 11111110: -95.250 dB
 11111111: -95.625 dB

Table 47. Bit Descriptions for DAC11_VOL

Bit No.	Bit Name	Settings	Description	Reset	Access
[7:0]	DAC11_VOL		DAC Volume Control Channel 11. Each 1-bit step corresponds to a 0.375 dB change in volume. See Table 53 for a complete list of the volume settings.	0x00	RW
		00000000	0 dB (default).		
		00000001	-0.375 dB.		
		00000010	-0.750 dB.		
		11111110	-95.250 dB.		
		11111111	-95.625 dB.		

DAC12 VOLUME CONTROL REGISTER

Address: 0x17, Reset: 0x00, Name: DAC12_VOL

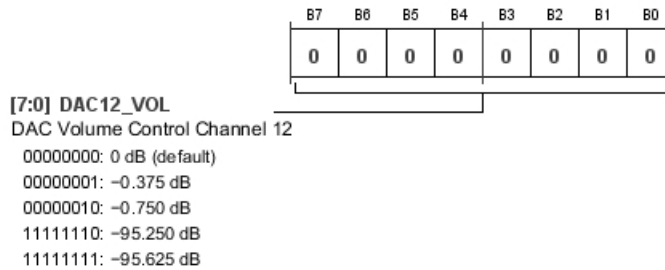


Table 48. Bit Descriptions for DAC12_VOL

Bit No.	Bit Name	Settings	Description	Reset	Access
[7:0]	DAC12_VOL		DAC Volume Control Channel 12. Each 1-bit step corresponds to a 0.375 dB change in volume. See Table 53 for a complete list of the volume settings.	0x00	RW
		00000000	0 dB (default).		
		00000001	-0.375 dB.		
		00000010	-0.750 dB.		
		11111110	-95.250 dB.		
		11111111	-95.625 dB.		

COMMON MODE AND PAD STRENGTH REGISTER

Address: 0x1C, Reset: 0x02, Name: CM_SEL_PAD_STRGTH

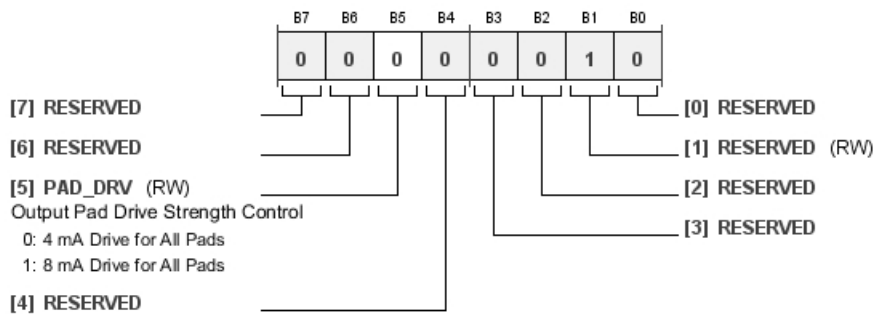


Table 49. Bit Descriptions for CM_SEL_PAD_STRGTH

Bit No.	Bit Name	Settings	Description	Reset	Access
5	PAD_DRV		Output Pad Drive Strength Control. Pad strength is stated for IOVDD = 5 V.	0x0	RW
		0	4 mA Drive for All Pads.		
		1	8 mA Drive for All Pads.		

DAC POWER ADJUST 1 REGISTER

Address: 0x1D, Reset: 0xAA, Name: DAC_POWER1

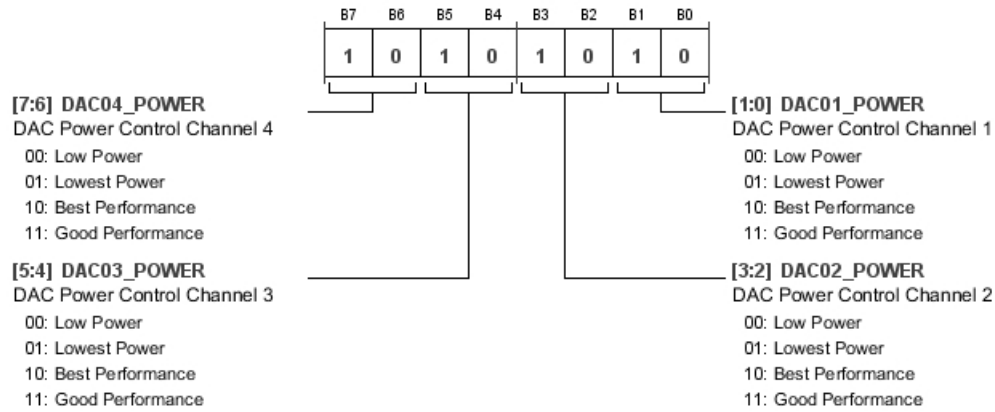


Table 50. Bit Descriptions for DAC_POWER1

Bit No.	Bit Name	Settings	Description	Reset	Access
[7:6]	DAC04_POWER	00 01 10 11	DAC Power Control Channel 4 Low Power Lowest Power Best Performance Good Performance	0x2	RW
[5:4]	DAC03_POWER	00 01 10 11	DAC Power Control Channel 3 Low Power Lowest Power Best Performance Good Performance	0x2	RW
[3:2]	DAC02_POWER	00 01 10 11	DAC Power Control Channel 2 Low Power Lowest Power Best Performance Good Performance	0x2	RW
[1:0]	DAC01_POWER	00 01 10 11	DAC Power Control Channel 1 Low Power Lowest Power Best Performance Good Performance	0x2	RW

DAC POWER ADJUST 2 REGISTER

Address: 0x1E, Reset: 0xAA, Name: DAC_POWER2

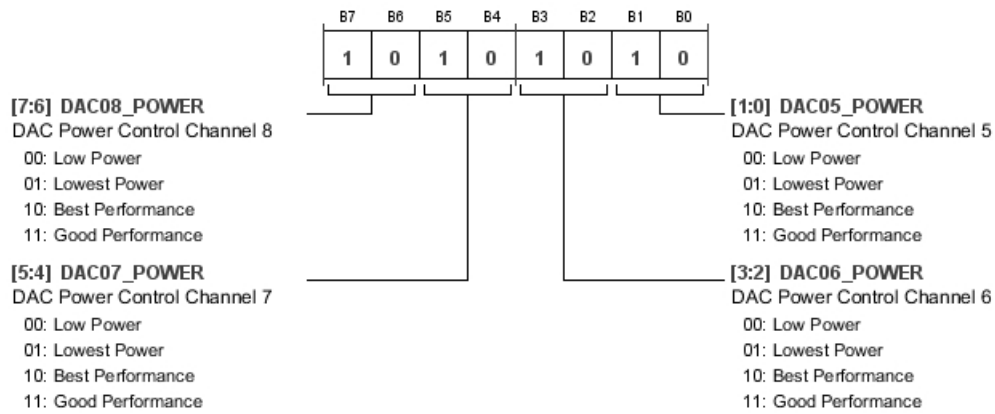


Table 51. Bit Descriptions for DAC_POWER2

Bit No.	Bit Name	Settings	Description	Reset	Access
[7:6]	DAC08_POWER	00 01 10 11	DAC Power Control Channel 8 Low Power Lowest Power Best Performance Good Performance	0x2	RW
[5:4]	DAC07_POWER	00 01 10 11	DAC Power Control Channel 7 Low Power Lowest Power Best Performance Good Performance	0x2	RW
[3:2]	DAC06_POWER	00 01 10 11	DAC Power Control Channel 6 Low Power Lowest Power Best Performance Good Performance	0x2	RW
[1:0]	DAC05_POWER	00 01 10 11	DAC Power Control Channel 5 Low Power Lowest Power Best Performance Good Performance	0x2	RW

DAC POWER ADJUST 3 REGISTER

Address: 0x1F, Reset: 0xAA, Name: DAC_POWER3

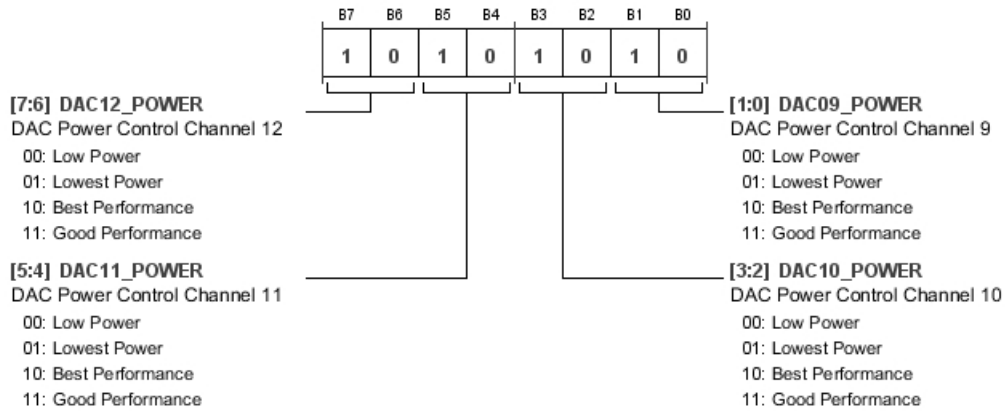


Table 52. Bit Descriptions for DAC_POWER3

Bit No.	Bit Name	Settings	Description	Reset	Access
[7:6]	DAC12_POWER	00 01 10 11	DAC Power Control Channel 12 Low Power Lowest Power Best Performance Good Performance	0x2	RW
[5:4]	DAC11_POWER	00 01 10 11	DAC Power Control Channel 11 Low Power Lowest Power Best Performance Good Performance	0x2	RW
[3:2]	DAC10_POWER	00 01 10 11	DAC Power Control Channel 10 Low Power Lowest Power Best Performance Good Performance	0x2	RW
[1:0]	DAC09_POWER	00 01 10 11	DAC Power Control Channel 9 Low Power Lowest Power Best Performance Good Performance	0x2	RW

Table 53. Volume Settings

Binary Value	Hex Value	Volume Attenuation (dB)	Binary Value	Hex Value	Volume Attenuation (dB)
00000000	00	0	00110000	30	-18
00000001	01	-0.375	00110001	31	-18.375
00000010	02	-0.75	00110010	32	-18.75
00000011	03	-1.125	00110011	33	-19.125
00000100	04	-1.5	00110100	34	-19.5
00000101	05	-1.875	00110101	35	-19.875
00000110	06	-2.25	00110110	36	-20.25
00000111	07	-2.625	00110111	37	-20.625
00001000	08	-3	00111000	38	-21
00001001	09	-3.375	00111001	39	-21.375
00001010	0A	-3.75	00111010	3A	-21.75
00001011	0B	-4.125	00111011	3B	-22.125
00001100	0C	-4.5	00111100	3C	-22.5
00001101	0D	-4.875	00111101	3D	-22.875
00001110	0E	-5.25	00111110	3E	-23.25
00001111	0F	-5.625	00111111	3F	-23.625
00010000	10	-6	01000000	40	-24
00010001	11	-6.375	01000001	41	-24.375
00010010	12	-6.75	01000010	42	-24.75
00010011	13	-7.125	01000011	43	-25.125
00010100	14	-7.5	01000100	44	-25.5
00010101	15	-7.875	01000101	45	-25.875
00010110	16	-8.25	01000110	46	-26.25
00010111	17	-8.625	01000111	47	-26.625
00011000	18	-9	01001000	48	-27
00011001	19	-9.375	01001001	49	-27.375
00011010	1A	-9.75	01001010	4A	-27.75
00011011	1B	-10.125	01001011	4B	-28.125
00011100	1C	-10.5	01001100	4C	-28.5
00011101	1D	-10.875	01001101	4D	-28.875
00011110	1E	-11.25	01001110	4E	-29.25
00011111	1F	-11.625	01001111	4F	-29.625
00100000	20	-12	01010000	50	-30
00100001	21	-12.375	01010001	51	-30.375
00100010	22	-12.75	01010010	52	-30.75
00100011	23	-13.125	01010011	53	-31.125
00100100	24	-13.5	01010100	54	-31.5
00100101	25	-13.875	01010101	55	-31.875
00100110	26	-14.25	01010110	56	-32.25
00100111	27	-14.625	01010111	57	-32.625
00101000	28	-15	01011000	58	-33
00101001	29	-15.375	01011001	59	-33.375
00101010	2A	-15.75	01011010	5A	-33.75
00101011	2B	-16.125	01011011	5B	-34.125
00101100	2C	-16.5	01011100	5C	-34.5
00101101	2D	-16.875	01011101	5D	-34.875
00101110	2E	-17.25	01011110	5E	-35.25
00101111	2F	-17.625	01011111	5F	-35.625

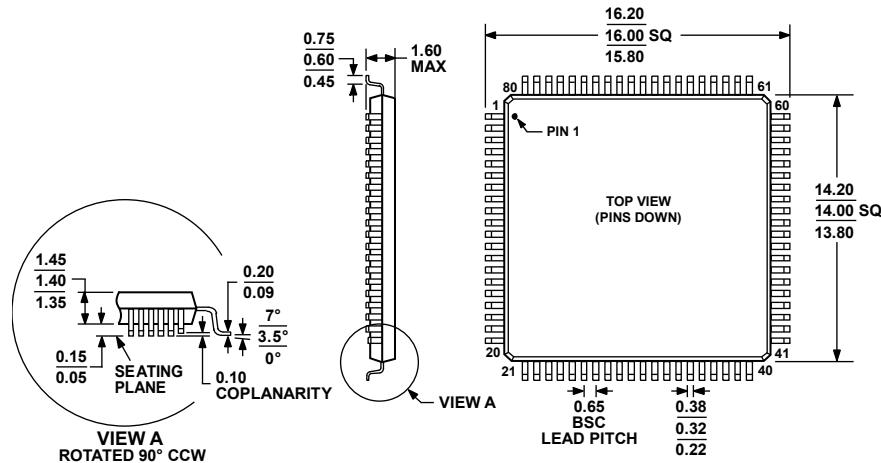
Binary Value	Hex Value	Volume Attenuation (dB)
01100000	60	-36
01100001	61	-36.375
01100010	62	-36.75
01100011	63	-37.125
01100100	64	-37.5
01100101	65	-37.875
01100110	66	-38.25
01100111	67	-38.625
01101000	68	-39
01101001	69	-39.375
01101010	6A	-39.75
01101011	6B	-40.125
01101100	6C	-40.5
01101101	6D	-40.875
01101110	6E	-41.25
01101111	6F	-41.625
01110000	70	-42
01110001	71	-42.375
01110010	72	-42.75
01110011	73	-43.125
01110100	74	-43.5
01110101	75	-43.875
01110110	76	-44.25
01110111	77	-44.625
01111000	78	-45
01111001	79	-45.375
01111010	7A	-45.75
01111011	7B	-46.125
01111100	7C	-46.5
01111101	7D	-46.875
01111110	7E	-47.25
01111111	7F	-47.625
10000000	80	-48
10000001	81	-48.375
10000010	82	-48.75
10000011	83	-49.125
10000100	84	-49.5
10000101	85	-49.875
10000110	86	-50.25
10000111	87	-50.625
10001000	88	-51
10001001	89	-51.375
10001010	8A	-51.75
10001011	8B	-52.125
10001100	8C	-52.5
10001101	8D	-52.875
10001110	8E	-53.25
10001111	8F	-53.625

Binary Value	Hex Value	Volume Attenuation (dB)
10010000	90	-54
10010001	91	-54.375
10010010	92	-54.75
10010011	93	-55.125
10010100	94	-55.5
10010101	95	-55.875
10010110	96	-56.25
10010111	97	-56.625
10011000	98	-57
10011001	99	-57.375
10011010	9A	-57.75
10011011	9B	-58.125
10011100	9C	-58.5
10011101	9D	-58.875
10011110	9E	-59.25
10011111	9F	-59.625
10100000	A0	-60
10100001	A1	-60.375
10100010	A2	-60.75
10100011	A3	-61.125
10100100	A4	-61.5
10100101	A5	-61.875
10100110	A6	-62.25
10100111	A7	-62.625
10101000	A8	-63
10101001	A9	-63.375
10101010	AA	-63.75
10101011	AB	-64.125
10101100	AC	-64.5
10101101	AD	-64.875
10101110	AE	-65.25
10101111	AF	-65.625
10110000	B0	-66
10110001	B1	-66.375
10110010	B2	-66.75
10110011	B3	-67.125
10110100	B4	-67.5
10110101	B5	-67.875
10110110	B6	-68.25
10110111	B7	-68.625
10111000	B8	-69
10111001	B9	-69.375
10111010	BA	-69.75
10111011	BB	-70.125
10111100	BC	-70.5
10111101	BD	-70.875
10111110	BE	-71.25
10111111	BF	-71.625

Binary Value	Hex Value	Volume Attenuation (dB)
11000000	C0	-72
11000001	C1	-72.375
11000010	C2	-72.75
11000011	C3	-73.125
11000100	C4	-73.5
11000101	C5	-73.875
11000110	C6	-74.25
11000111	C7	-74.625
11001000	C8	-75
11001001	C9	-75.375
11001010	CA	-75.75
11001011	CB	-76.125
11001100	CC	-76.5
11001101	CD	-76.875
11001110	CE	-77.25
11001111	CF	-77.625
11010000	D0	-78
11010001	D1	-78.375
11010010	D2	-78.75
11010011	D3	-79.125
11010100	D4	-79.5
11010101	D5	-79.875
11010110	D6	-80.25
11010111	D7	-80.625
11011000	D8	-81
11011001	D9	-81.375
11011010	DA	-81.75
11011011	DB	-82.125
11011100	DC	-82.5
11011101	DD	-82.875
11011110	DE	-83.25
11011111	DF	-83.625

Binary Value	Hex Value	Volume Attenuation (dB)
11100000	E0	-84
11100001	E1	-84.375
11100010	E2	-84.75
11100011	E3	-85.125
11100100	E4	-85.5
11100101	E5	-85.875
11100110	E6	-86.25
11100111	E7	-86.625
11101000	E8	-87
11101001	E9	-87.375
11101010	EA	-87.75
11101011	EB	-88.125
11101100	EC	-88.5
11101101	ED	-88.875
11101110	EE	-89.25
11101111	EF	-89.625
11110000	F0	-90
11110001	F1	-90.375
11110010	F2	-90.75
11110011	F3	-91.125
11110100	F4	-91.5
11110101	F5	-91.875
11110110	F6	-92.25
11110111	F7	-92.625
11111000	F8	-93
11111001	F9	-93.375
11111010	FA	-93.75
11111011	FB	-94.125
11111100	FC	-94.5
11111101	FD	-94.875
11111110	FE	-95.25
11111111	FF	-95.625

PACKAGING AND ORDERING INFORMATION
OUTLINE DIMENSIONS



COMPLIANT TO JEDEC STANDARDS MS-026-BEC

Figure 22. 80-Lead Low Profile Quad Flat Package [LQFP] (ST-80-2)

Dimensions shown in millimeters

061706-A

ORDERING GUIDE

Model ^{1,2}	Temperature Range	Package Description	Package Option
ADAU1962WBSTZ	-40°C to +105°C	80-Lead LQFP	ST-80-2
ADAU1962WBSTZRL	-40°C to +105°C	80-Lead LQFP, 13" Tape and Reel	ST-80-2
EVAL-ADAU1962Z		Evaluation Board	

¹ Z = RoHS Compliant Part.

² W = Qualified for Automotive Applications.

AUTOMOTIVE PRODUCTS

The ADAU1962W models are available with controlled manufacturing to support the quality and reliability requirements of automotive applications. Note that these automotive models may have specifications that differ from the commercial models; therefore, designers should review the Specifications section of this data sheet carefully. Only the automotive grade products shown are available for use in automotive applications. Contact your local Analog Devices account representative for specific product ordering information and to obtain the specific Automotive Reliability reports for these models.

I²C refers to a communications protocol originally developed by Philips Semiconductors (now NXP Semiconductors).