

# NLAS5223C, NLAS5223CL

## Ultra-Low 0.35 $\Omega$ Dual SPDT Analog Switch

The NLAS5223C is an advanced CMOS analog switch fabricated in Sub-micron silicon gate CMOS technology. The device is a dual Independent Single Pole Double Throw (SPDT) switch featuring Ultra-Low  $R_{ON}$  of 0.35  $\Omega$ , at  $V_{CC} = 4.3$  V.

The part also features guaranteed Break Before Make (BBM) switching, assuring the switches never short the driver.

### Features

- Ultra-Low  $R_{ON}$ , 0.35  $\Omega$  (typ) at  $V_{CC} = 4.3$  V
- NLAS5223C Interfaces with 2.8 V Chipset
- NLAS5223CL Interfaces with 1.8 V Chipset
- Single Supply Operation from 1.65–4.5 V
- Full 0– $V_{CC}$  Signal Handling Capability
- High Off-Channel Isolation
- Low Standby Current, < 50 nA
- Low Distortion
- $R_{ON}$  Flatness of 0.15  $\Omega$
- High Continuous Current Capability
  - ♦  $\pm 320$  mA Through Each Switch
- Large Current Clamping Diodes at Analog Inputs
  - ♦  $\pm 100$  mA Continuous Current Capability
- Package:
  - ♦ 1.4 x 1.8 x 0.55 mm UQFN10 Pb-Free
- These are Pb-Free Devices

### Applications

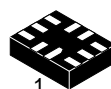
- Cell Phone Audio Block
- Speaker and Earphone Switching
- Ring-Tone Chip/Amplifier Switching
- Modems



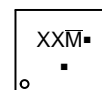
ON Semiconductor®

[www.onsemi.com](http://www.onsemi.com)

### MARKING DIAGRAM

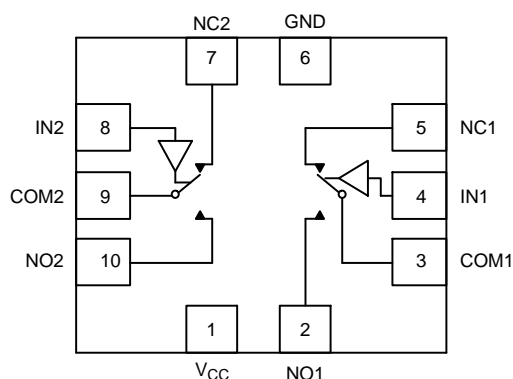


UQFN10  
CASE 488AT



XX = Specific Device Code  
 M = Date Code/Assembly Location  
 • = Pb-Free Device

(Note: Microdot may be in either location)



### FUNCTION TABLE

IN 1, 2	NO 1, 2	NC 1, 2
0	OFF	ON
1	ON	OFF

### ORDERING INFORMATION

See detailed ordering, marking and shipping information in the package dimensions section on page 9 of this data sheet.

# NLAS5223C, NLAS5223CL

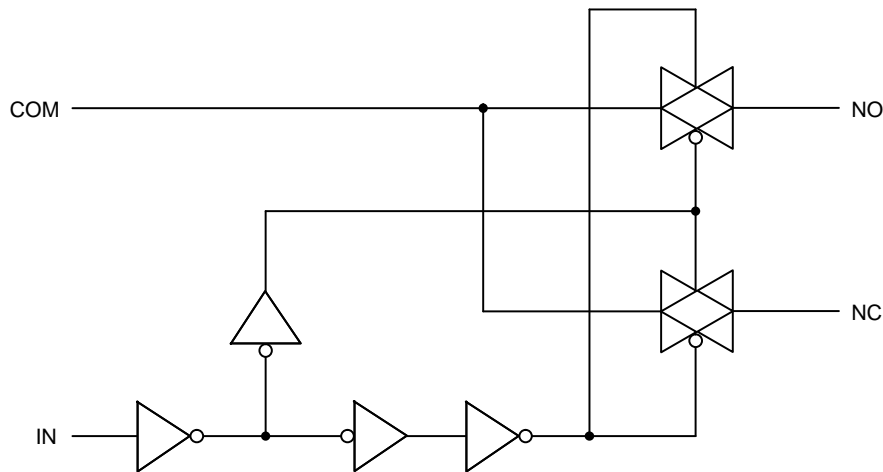


Figure 1. Logic Equivalent Circuit

## PIN DESCRIPTION

QFN PIN #	Symbol	Name and Function
2, 5, 7, 10	NC1 to NC2, NO1 to NO2	Independent Channels
4, 8	IN1 and IN2	Controls
3, 9	COM1 and COM2	Common Channels
6	GND	Ground (V)
1	V <sub>CC</sub>	Positive Supply Voltage

## MAXIMUM RATINGS

Symbol	Parameter	Value	Unit
V <sub>CC</sub>	Positive DC Supply Voltage	-0.5 to +7.0	V
V <sub>IS</sub>	Analog Input Voltage (V <sub>NO</sub> , V <sub>NC</sub> , or V <sub>COM</sub> )	-0.5 ≤ V <sub>IS</sub> ≤ V <sub>CC</sub> + 0.5	V
V <sub>IN</sub>	Digital Select Input Voltage	-0.5 ≤ V <sub>IN</sub> ≤ +5.5	V
I <sub>anI1</sub>	Continuous DC Current from COM to NC/NO	±320	mA
I <sub>anI-pk1</sub>	Peak Current from COM to NC/NO, 10% Duty Cycle, 100 ms = t <sub>ON</sub> (Note 1)	±600	mA
I <sub>anI-pk2</sub>	Instantaneous Peak Current from COM to NC/NO, 10% Duty Cycle, t <sub>ON</sub> < 1 μs	±850	mA
I <sub>clmp</sub>	Continuous DC Current into COM/NO/NC with Respect to V <sub>CC</sub> or GND	±100	mA
ESD	ESD Withstand Voltage Human Body Model (HBM)	>3000	V

Stresses exceeding those listed in the Maximum Ratings table may damage the device. If any of these limits are exceeded, device functionality should not be assumed, damage may occur and reliability may be affected.

1. Defined as 10% ON, 90% OFF Duty Cycle.

## RECOMMENDED OPERATING CONDITIONS

Symbol	Parameter	Min	Max	Unit
V <sub>CC</sub>	DC Supply Voltage	1.65	4.5	V
V <sub>IN</sub>	Digital Select Input Voltage (OVT) Overvoltage Tolerance	GND	4.5	V
V <sub>IS</sub>	Analog Input Voltage (NC, NO, COM)	GND	V <sub>CC</sub>	V
T <sub>A</sub>	Operating Temperature Range	-40	+85	°C
t <sub>r</sub> , t <sub>f</sub>	Input Rise or Fall Time, SELECT V <sub>CC</sub> = 1.6 V – 2.7 V V <sub>CC</sub> = 3.0 V – 4.5 V		20 10	ns/V

Functional operation above the stresses listed in the Recommended Operating Ranges is not implied. Extended exposure to stresses beyond the Recommended Operating Ranges limits may affect device reliability.

# NLAS5223C, NLAS5223CL

## NLAS5223C DC CHARACTERISTICS – DIGITAL SECTION (Voltages Referenced to GND)

Symbol	Parameter	Condition	V <sub>CC</sub>	Guaranteed Limit		Unit
				25°C	-40°C to +85°C	
V <sub>IH</sub>	Minimum High-Level Input Voltage, Select Inputs		3.0 4.3	1.4 2.0	1.4 2.0	V
V <sub>IL</sub>	Maximum Low-Level Input Voltage, Select Inputs		3.0 4.3	0.7 0.8	0.7 0.8	V
I <sub>IN</sub>	Maximum Input Leakage Current, Select Inputs	V <sub>IN</sub> = V <sub>CC</sub> or GND	4.3	±0.1	±1.0	μA
I <sub>OFF</sub>	Power Off Leakage Current	V <sub>IN</sub> = V <sub>CC</sub> or GND	0	±0.5	±2.0	μA
I <sub>CC</sub>	Maximum Quiescent Supply Current (Note 2)	Select and V <sub>IS</sub> = V <sub>CC</sub> or GND	1.65 to 4.5	±1.0	±2.0	μA

2. Guaranteed by design. Resistance measurements do not include test circuit or package resistance.

## NLAS5223C DC ELECTRICAL CHARACTERISTICS – ANALOG SECTION

Symbol	Parameter	Condition	V <sub>CC</sub>	Guaranteed Maximum Limit				Unit
				25°C		-40°C to +85°C		
				Min	Max	Min	Max	
R <sub>ON</sub>	NC/NO On-Resistance (Note 3)	V <sub>IN</sub> = V <sub>IL</sub> or V <sub>IN</sub> = V <sub>IH</sub> V <sub>IS</sub> = GND to V <sub>CC</sub> I <sub>COM</sub> = 100 mA	3.0 4.3		0.4 0.35		0.5 0.4	Ω
R <sub>FLAT</sub>	NC/NO On-Resistance Flatness (Notes 3 and 4)	I <sub>COM</sub> = 100 mA V <sub>IS</sub> = 0 to V <sub>CC</sub>	3.0 4.3		0.16 0.11		0.20 0.14	Ω
ΔR <sub>ON</sub>	On-Resistance Match Between Channels (Notes 3 and 5)	V <sub>IS</sub> = 1.5 V; I <sub>COM</sub> = 100 mA V <sub>IS</sub> = 2.2 V; I <sub>COM</sub> = 100 mA	3.0 4.3		0.05 0.05		0.05 0.05	Ω
I <sub>NC(OFF)</sub> I <sub>NO(OFF)</sub>	NC or NO Off Leakage Current (Note 3)	V <sub>IN</sub> = V <sub>IL</sub> or V <sub>IH</sub> V <sub>NO</sub> or V <sub>NC</sub> = 0.3 V V <sub>COM</sub> = 4.0 V	4.3	-5.0	5.0	-50	50	nA
I <sub>COM(ON)</sub>	COM ON Leakage Current (Note 3)	V <sub>IN</sub> = V <sub>IL</sub> or V <sub>IH</sub> V <sub>NO</sub> 0.3 V or 4.0 V with V <sub>NC</sub> floating or V <sub>NC</sub> 0.3 V or 4.0 V with V <sub>NO</sub> floating V <sub>COM</sub> = 0.3 V or 4.0 V	4.3	-10	10	-100	100	nA

3. Guaranteed by design. Resistance measurements do not include test circuit or package resistance.

4. Flatness is defined as the difference between the maximum and minimum value of On-resistance as measured over the specified analog signal ranges.

5. ΔR<sub>ON</sub> = R<sub>ON(MAX)</sub> - R<sub>ON(MIN)</sub> between NC1 and NC2 or between NO1 and NO2.

# NLAS5223C, NLAS5223CL

## NLAS5223CL DC CHARACTERISTICS – DIGITAL SECTION (Voltages Referenced to GND)

Symbol	Parameter	Condition	V <sub>CC</sub>	Guaranteed Limit		Unit
				25°C	-40°C to +85°C	
V <sub>IH</sub>	Minimum High-Level Input Voltage, Select Inputs		3.0 4.3	1.3 1.6	1.3 1.6	V
V <sub>IL</sub>	Maximum Low-Level Input Voltage, Select Inputs		3.0 4.3	0.5 0.6	0.5 0.6	V
I <sub>IN</sub>	Maximum Input Leakage Current, Select Inputs	V <sub>IN</sub> = 4.5 V or GND	4.3	±0.1	±1.0	μA
I <sub>OFF</sub>	Power Off Leakage Current	V <sub>IN</sub> = 4.5 V or GND	0	±0.5	±2.0	μA
I <sub>CC</sub>	Maximum Quiescent Supply Current	Select and V <sub>IS</sub> = V <sub>CC</sub> or GND	1.65 to 4.5	±1.0	±2.0	μA
I <sub>CCV</sub>	Maximum Quiescent Supply Current, Low Voltage Driving (Note 6)	V <sub>IS</sub> = V <sub>CC</sub> or GND V <sub>IN</sub> = 1.65 V	4.3	±145	±150	μA
		V <sub>IS</sub> = V <sub>CC</sub> or GND V <sub>IN</sub> = 1.80 V		±125	±130	
		V <sub>IS</sub> = V <sub>CC</sub> or GND V <sub>IN</sub> = 2.60 V		±50	±55	

6. Guaranteed by design. Resistance measurements do not include test circuit or package resistance.

## NLAS5223CL DC ELECTRICAL CHARACTERISTICS – ANALOG SECTION

Symbol	Parameter	Condition	V <sub>CC</sub>	Guaranteed Maximum Limit				Unit
				25°C		-40°C to +85°C		
				Min	Max	Min	Max	
R <sub>ON</sub>	NC/NO On-Resistance (Note 7)	V <sub>IN</sub> = V <sub>IL</sub> or V <sub>IN</sub> = V <sub>IH</sub> V <sub>IS</sub> = GND to V <sub>CC</sub> I <sub>COM</sub> = 100 mA	3.0		0.4		0.5	Ω
			4.3		0.35		0.4	
R <sub>FLAT</sub>	NC/NO On-Resistance Flatness (Notes 7 and 8)	I <sub>COM</sub> = 100 mA V <sub>IS</sub> = 0 to V <sub>CC</sub>	3.0		0.16		0.20	Ω
			4.3		0.11		0.14	
ΔR <sub>ON</sub>	On-Resistance Match Between Channels (Notes 7 and 9)	V <sub>IS</sub> = 1.5 V; I <sub>COM</sub> = 100 mA V <sub>IS</sub> = 2.2 V; I <sub>COM</sub> = 100 mA	3.0		0.05		0.05	Ω
			4.3		0.05		0.05	
I <sub>NC(OFF)</sub> I <sub>NO(OFF)</sub>	NC or NO Off Leakage Current (Note 7)	V <sub>IN</sub> = V <sub>IL</sub> or V <sub>IH</sub> V <sub>NO</sub> or V <sub>NC</sub> = 0.3 V V <sub>COM</sub> = 4.0 V	4.3	-10	10	-100	100	nA
I <sub>COM(ON)</sub>	COM ON Leakage Current (Note 7)	V <sub>IN</sub> = V <sub>IL</sub> or V <sub>IH</sub> V <sub>NO</sub> 0.3 V or 4.0 V with V <sub>NC</sub> floating or V <sub>NC</sub> 0.3 V or 4.0 V with V <sub>NO</sub> floating V <sub>COM</sub> = 0.3 V or 4.0 V	4.3	-10	10	-100	100	nA

7. Guaranteed by design. Resistance measurements do not include test circuit or package resistance.

8. Flatness is defined as the difference between the maximum and minimum value of On-resistance as measured over the specified analog signal ranges.

9. ΔR<sub>ON</sub> = R<sub>ON(MAX)</sub> – R<sub>ON(MIN)</sub> between NC1 and NC2 or between NO1 and NO2.

# NLAS5223C, NLAS5223CL

## AC ELECTRICAL CHARACTERISTICS (Input $t_r = t_f = 3.0$ ns)

Symbol	Parameter	Test Conditions	$V_{CC}$ (V)	$V_{IS}$ (V)	Guaranteed Maximum Limit					Unit
					25°C			-40°C to +85°C		
					Min	Typ*	Max	Min	Max	
$t_{ON}$	Turn-On Time	$R_L = 50 \Omega$ , $C_L = 35$ pF (Figures 3 and 4)	2.3 – 4.5	1.5			50		60	ns
$t_{OFF}$	Turn-Off Time	$R_L = 50 \Omega$ , $C_L = 35$ pF (Figures 3 and 4)	2.3 – 4.5	1.5			30		40	ns
$t_{BBM}$	Minimum Break-Before-Make Time	$V_{IS} = 3.0$ $R_L = 50 \Omega$ , $C_L = 35$ pF (Figure 2)	3.0	1.5	2	15				ns

		Typical @ 25, $V_{CC} = 3.6$ V		
$C_{IN}$	Control Pin Input Capacitance	3.5		pF
$C_{NO/NC}$	NO, NC Port Capacitance	60		pF
$C_{COM}$	COM Port Capacitance When Switch is Enabled	200		pF

\*Typical Characteristics are at 25°C.

## ADDITIONAL APPLICATION CHARACTERISTICS (Voltages Referenced to GND Unless Noted)

Symbol	Parameter	Condition	$V_{CC}$ (V)	25°C	Unit
				Typical	
BW	Maximum On-Channel -3 dB Bandwidth or Minimum Frequency Response	$V_{IN}$ centered between $V_{CC}$ and GND (Figure 5)	1.65 – 4.5	24	MHz
$V_{ONL}$	Maximum Feed-through On Loss	$V_{IN} = 0$ dBm @ 100 kHz to 50 MHz $V_{IN}$ centered between $V_{CC}$ and GND (Figure 5)	1.65 – 4.5	-0.06	dB
$V_{ISO}$	Off-Channel Isolation	$f = 100$ kHz; $V_{IS} = 1$ V RMS; $C_L = 5.0$ pF $V_{IN}$ centered between $V_{CC}$ and GND (Figure 5)	1.65 – 4.5	-68	dB
Q	Charge Injection Select Input to Common I/O	$V_{IN} = V_{CC}$ to GND, $R_{IS} = 0 \Omega$ , $C_L = 1.0$ nF $Q = C_L \times DV_{OUT}$ (Figure 6)	1.65 – 4.5	38	pC
THD	Total Harmonic Distortion THD + Noise	$F_{IS} = 20$ Hz to 20 kHz, $R_L = R_{gen} = 600 \Omega$ , $C_L = 50$ pF $V_{IS} = 2.0$ V RMS	3.0	0.08	%
VCT	Channel-to-Channel Crosstalk	$f = 100$ kHz; $V_{IS} = 1.0$ V RMS, $C_L = 5.0$ pF, $R_L = 50 \Omega$ $V_{IN}$ centered between $V_{CC}$ and GND (Figure 5)	1.65 – 4.5	-70	dB

10. Off-Channel Isolation =  $20 \log_{10} (V_{COM}/V_{NO})$ ,  $V_{COM}$  = output,  $V_{NO}$  = input to off switch.

# NLAS5223C, NLAS5223CL

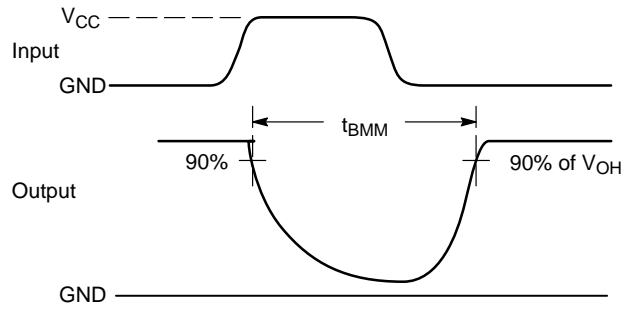
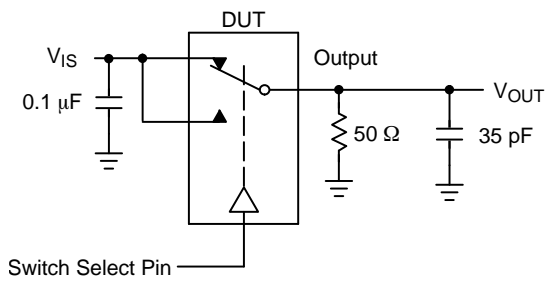


Figure 2.  $t_{BMM}$  (Time Break-Before-Make)

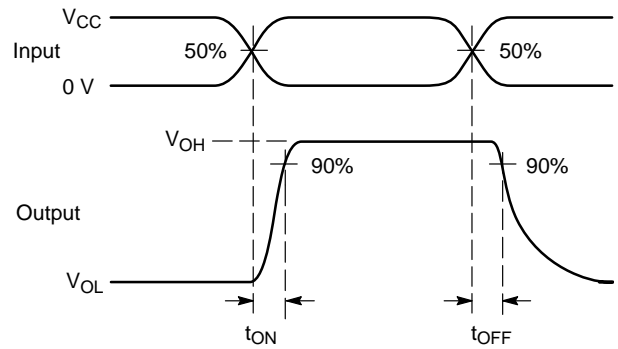
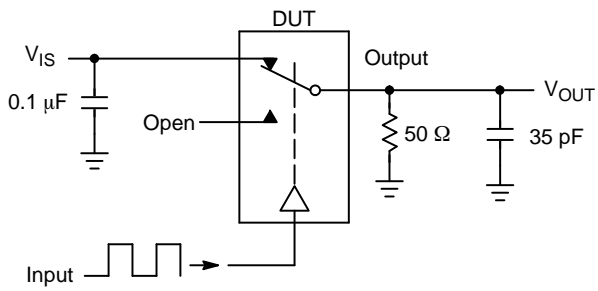


Figure 3.  $t_{ON}/t_{OFF}$

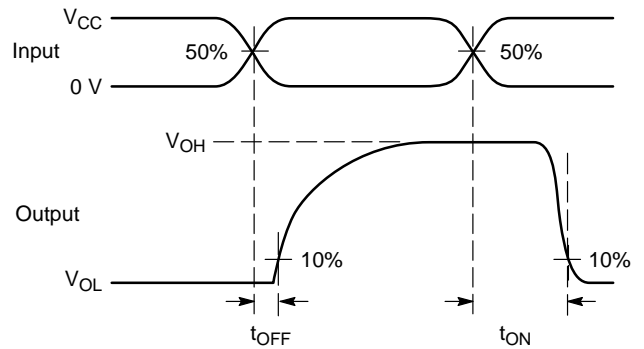
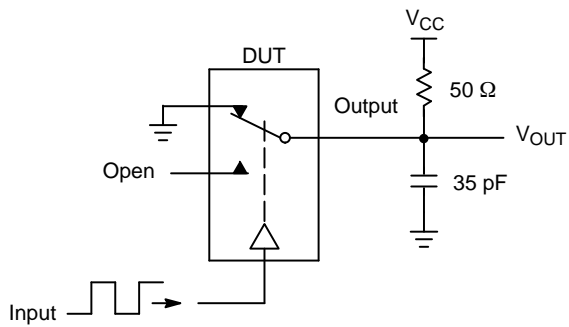
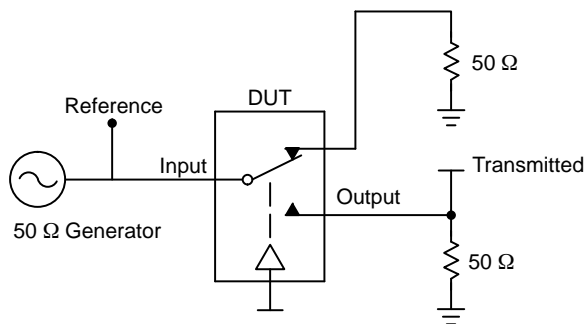


Figure 4.  $t_{ON}/t_{OFF}$

# NLAS5223C, NLAS5223CL



Channel switch control/s test socket is normalized. Off isolation is measured across an off channel. On loss is the bandwidth of an On switch.  $V_{ISO}$ , Bandwidth and  $V_{ONL}$  are independent of the input signal direction.

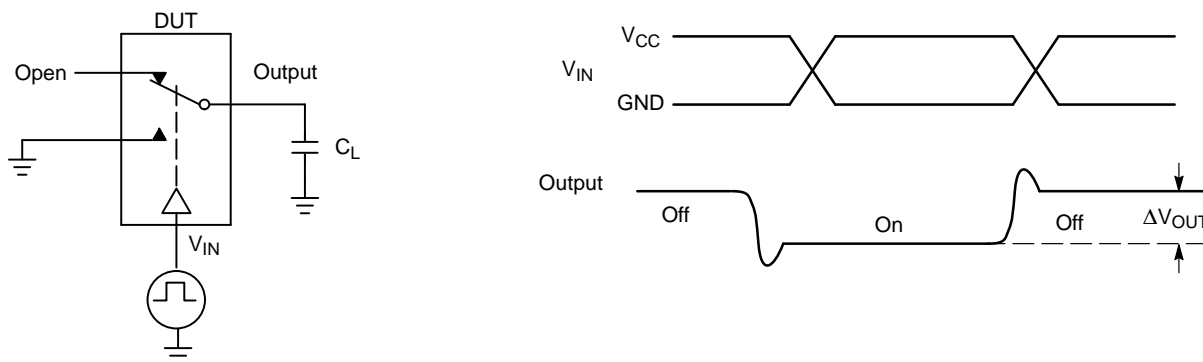
$$V_{ISO} = \text{Off Channel Isolation} = 20 \text{ Log} \left( \frac{V_{OUT}}{V_{IN}} \right) \text{ for } V_{IN} \text{ at } 100 \text{ kHz}$$

$$V_{ONL} = \text{On Channel Loss} = 20 \text{ Log} \left( \frac{V_{OUT}}{V_{IN}} \right) \text{ for } V_{IN} \text{ at } 100 \text{ kHz to } 50 \text{ MHz}$$

Bandwidth (BW) = the frequency 3 dB below  $V_{ONL}$

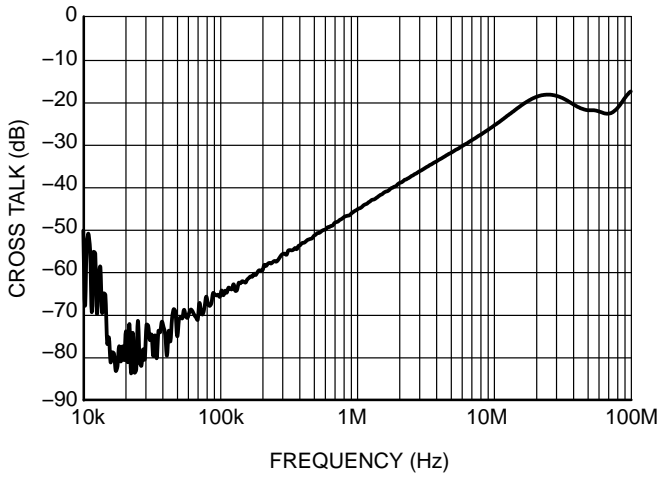
$V_{CT}$  = Use  $V_{ISO}$  setup and test to all other switch analog input/outputs terminated with 50 Ω

**Figure 5. Off Channel Isolation/On Channel Loss (BW)/Crosstalk (On Channel to Off Channel)/ $V_{ONL}$**

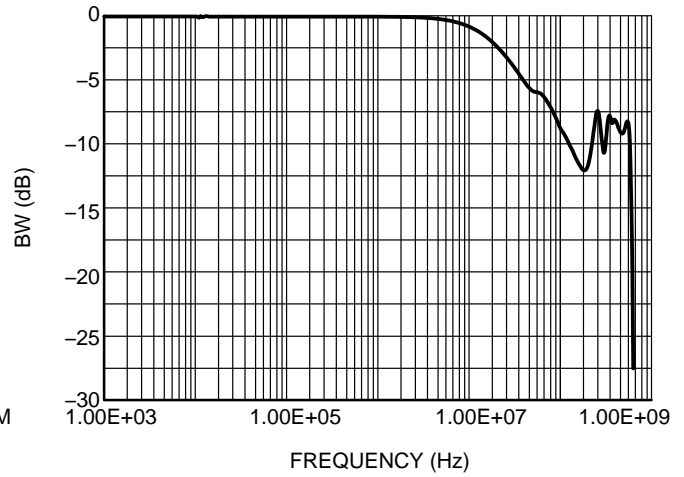


**Figure 6. Charge Injection: (Q)**

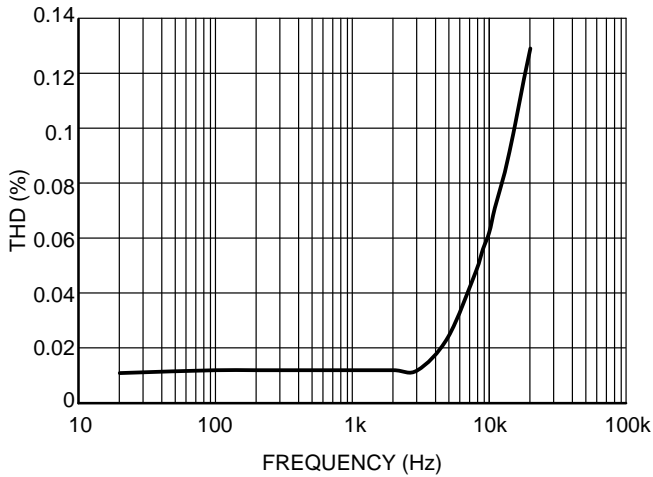
# NLAS5223C, NLAS5223CL



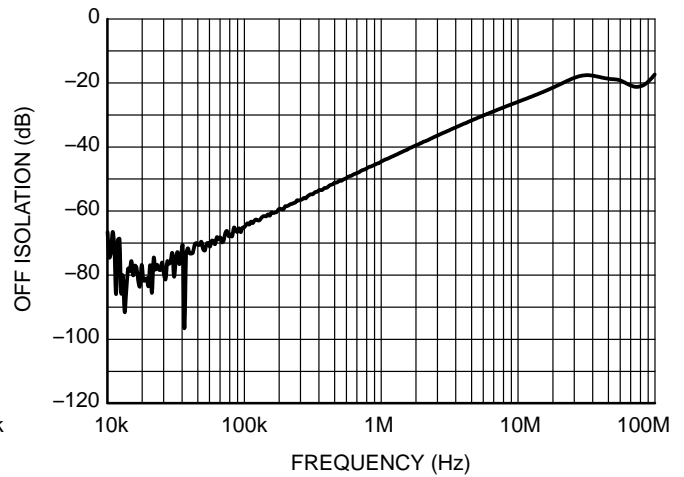
**Figure 7. Cross Talk vs. Frequency**  
( $V_{CC} = 3.0\text{ V}$ )



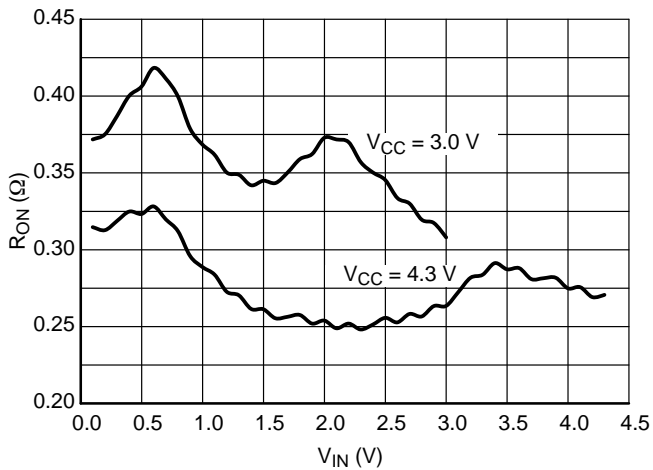
**Figure 8. Bandwidth**  
( $V_{CC} = 3.0\text{ V}$ )



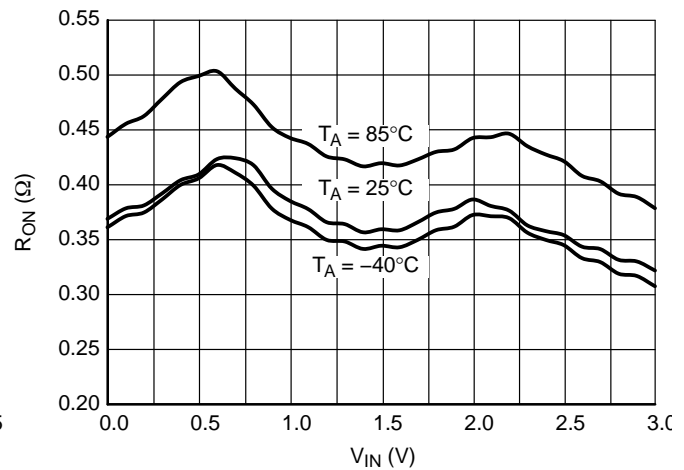
**Figure 9. Total Harmonic Distortion**  
( $V_{CC} = 3.0\text{ V}$ )



**Figure 10. Off Isolation**  
( $V_{CC} = 3.0\text{ V}$ )



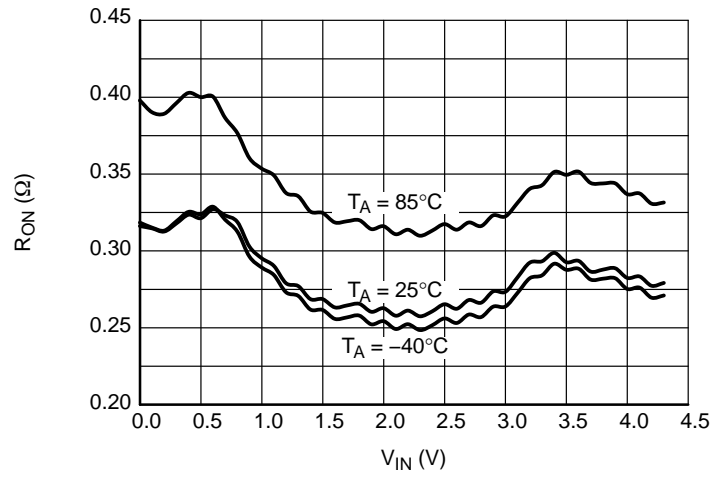
**Figure 11. On-Resistance vs. Input Voltage**  
@  $25^{\circ}\text{C}$  and  $V_{CC} = 3.0\text{ V}$  and  $4.3\text{ V}$



**Figure 12. On-Resistance vs. Input Voltage**  
@  $V_{CC} = 3.0\text{ V}$ ,  $T_A = -40^{\circ}\text{C}$  to  $85^{\circ}\text{C}$



## NLAS5223C, NLAS5223CL



**Figure 13. On-Resistance vs. Input Voltage**  
 @ V<sub>CC</sub> = 3.0 V, T<sub>A</sub> = -40°C to 85°C

### ORDERING INFORMATION

Device	Marking	Package	Shipping†
NLAS5223CMUTAG	AK	UQFN10 (Pb-Free)	3000 / Tape & Reel
NLAS5223CLMUTAG	AU	UQFN10 (Pb-Free)	3000 / Tape & Reel

†For information on tape and reel specifications, including part orientation and tape sizes, please refer to our Tape and Reel Packaging Specifications Brochure, BRD8011/D.

# MECHANICAL CASE OUTLINE

## PACKAGE DIMENSIONS

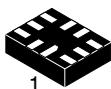
ON Semiconductor®



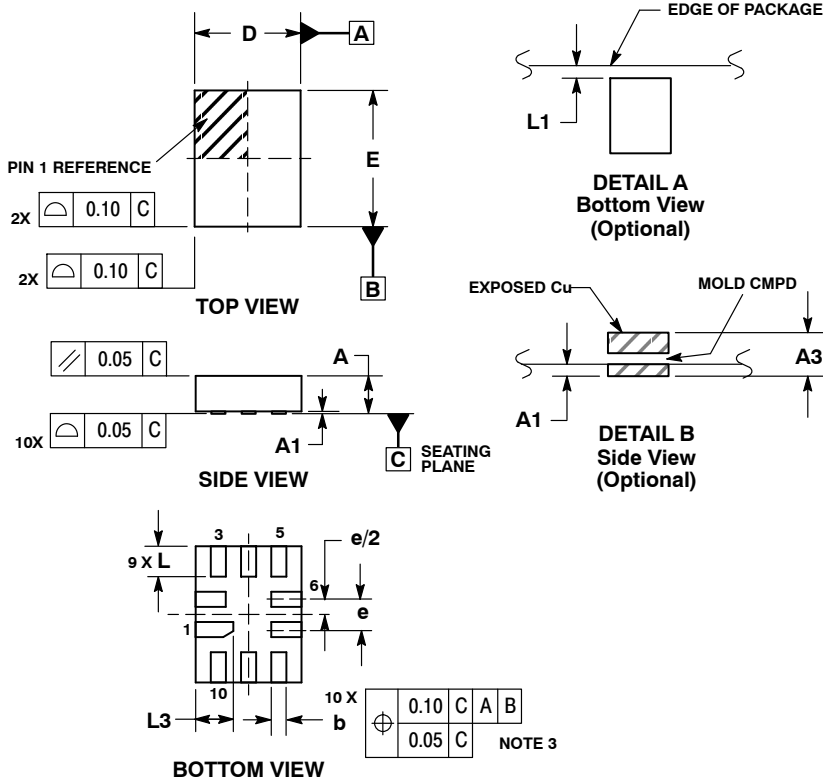
### UQFN10 1.4x1.8, 0.4P

CASE 488AT-01  
ISSUE A

DATE 01 AUG 2007

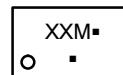


SCALE 5:1



- NOTES:
- DIMENSIONING AND TOLERANCING PER ASME Y14.5M, 1994.
  - CONTROLLING DIMENSION: MILLIMETERS
  - DIMENSION b APPLIES TO PLATED TERMINAL AND IS MEASURED BETWEEN 0.25 AND 0.30 MM FROM TERMINAL.
  - COPLANARITY APPLIES TO THE EXPOSED PAD AS WELL AS THE TERMINALS.

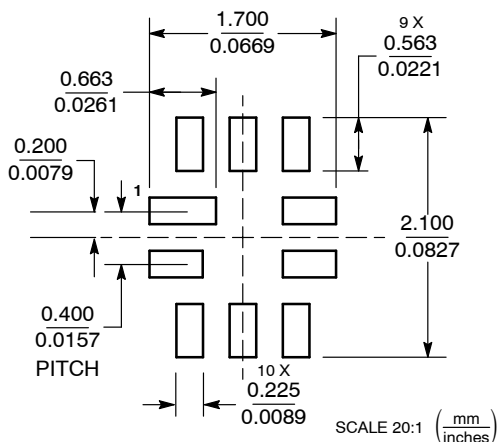
### GENERIC MARKING DIAGRAM\*



- XX = Specific Device Code
  - M = Date Code
  - = Pb-Free Package
- (Note: Microdot may be in either location)

\*This information is generic. Please refer to device data sheet for actual part marking. Pb-Free indicator, "G" or microdot "▪", may or may not be present.

### MOUNTING FOOTPRINT



<b>DOCUMENT NUMBER:</b>	<b>98AON22493D</b>	Electronic versions are uncontrolled except when accessed directly from the Document Repository. Printed versions are uncontrolled except when stamped "CONTROLLED COPY" in red.
<b>DESCRIPTION:</b>	<b>10 PIN UQFN, 1.4 X 1.8, 0.4P</b>	<b>PAGE 1 OF 1</b>

ON Semiconductor and ON are trademarks of Semiconductor Components Industries, LLC dba ON Semiconductor or its subsidiaries in the United States and/or other countries. ON Semiconductor reserves the right to make changes without further notice to any products herein. ON Semiconductor makes no warranty, representation or guarantee regarding the suitability of its products for any particular purpose, nor does ON Semiconductor assume any liability arising out of the application or use of any product or circuit, and specifically disclaims any and all liability, including without limitation special, consequential or incidental damages. ON Semiconductor does not convey any license under its patent rights nor the rights of others.

**onsemi**, **Onsemi**, and other names, marks, and brands are registered and/or common law trademarks of Semiconductor Components Industries, LLC dba "**onsemi**" or its affiliates and/or subsidiaries in the United States and/or other countries. **onsemi** owns the rights to a number of patents, trademarks, copyrights, trade secrets, and other intellectual property. A listing of **onsemi**'s product/patent coverage may be accessed at [www.onsemi.com/site/pdf/Patent-Marking.pdf](http://www.onsemi.com/site/pdf/Patent-Marking.pdf). **onsemi** reserves the right to make changes at any time to any products or information herein, without notice. The information herein is provided "as-is" and **onsemi** makes no warranty, representation or guarantee regarding the accuracy of the information, product features, availability, functionality, or suitability of its products for any particular purpose, nor does **onsemi** assume any liability arising out of the application or use of any product or circuit, and specifically disclaims any and all liability, including without limitation special, consequential or incidental damages. Buyer is responsible for its products and applications using **onsemi** products, including compliance with all laws, regulations and safety requirements or standards, regardless of any support or applications information provided by **onsemi**. "Typical" parameters which may be provided in **onsemi** data sheets and/or specifications can and do vary in different applications and actual performance may vary over time. All operating parameters, including "Typicals" must be validated for each customer application by customer's technical experts. **onsemi** does not convey any license under any of its intellectual property rights nor the rights of others. **onsemi** products are not designed, intended, or authorized for use as a critical component in life support systems or any FDA Class 3 medical devices or medical devices with a same or similar classification in a foreign jurisdiction or any devices intended for implantation in the human body. Should Buyer purchase or use **onsemi** products for any such unintended or unauthorized application, Buyer shall indemnify and hold **onsemi** and its officers, employees, subsidiaries, affiliates, and distributors harmless against all claims, costs, damages, and expenses, and reasonable attorney fees arising out of, directly or indirectly, any claim of personal injury or death associated with such unintended or unauthorized use, even if such claim alleges that **onsemi** was negligent regarding the design or manufacture of the part. **onsemi** is an Equal Opportunity/Affirmative Action Employer. This literature is subject to all applicable copyright laws and is not for resale in any manner.

## PUBLICATION ORDERING INFORMATION

### LITERATURE FULFILLMENT:

Email Requests to: [orderlit@onsemi.com](mailto:orderlit@onsemi.com)

**onsemi Website:** [www.onsemi.com](http://www.onsemi.com)

### TECHNICAL SUPPORT

**North American Technical Support:**

Voice Mail: 1 800-282-9855 Toll Free USA/Canada

Phone: 011 421 33 790 2910

**Europe, Middle East and Africa Technical Support:**

Phone: 00421 33 790 2910

For additional information, please contact your local Sales Representative