



# PRODUCT CHANGE NOTIFICATION

PCN-000486

Date: 2APR2018

P1/2

- Semtech Corporation, 200 Flynn Road, Camarillo CA 93012
- Semtech Canada Corporation, 4281 Harvester Road, Burlington, Ontario L7L 5M4 Canada
- Semtech Irvine, 5141 California Ave., Suite 100, Irvine CA 92617
- Semtech Neuchatel Sarl, Route des Gouttes d'Or 40, CH-2000 Neuchatel Switzerland
- Semtech Bristol - EMEA Limited, Block B, St James Court, Great Park Road, Bristol BS32 4QJ, UK
- Semtech Corpus Christi SA de CV, Carretera Matamorros Edificio 7, Reynosa, Tamaulipas, Mexico 88780
- Semtech Plano, 1101 Resource Drive, Suite 121, Plano TX 75074

### Change Details

<b>Part Number(s) Affected:</b> RClamp3346P.TNT	<b>Customer Part Number(s) Affected:</b> <input checked="" type="checkbox"/> N/A
--	--

**Description, Purpose and Effect of Change:**  
 An error in the RClamp3346P datasheet has been reported. Semtech is updating the dimension table in the RClamp3346P Datasheet to reflect the physical dimensions of the released product. Product has been released to mass production since 2012.

**Is now:** [Matches parts released to mass production]

DIM [mm]	MIN	NOM	MAX
A	0.45	0.55	0.65

The drawing shows a side view of a component with a rectangular body. Dimension A is indicated as the height of the body. Dimension A1 is indicated as the height of a lower section. A 'SEATING PLANE' is marked on the right side of the component. A callout 'aaa C' is shown on the left side.

**Was:**

DIM [mm]	MIN	NOM	MAX
A	0.47	0.50	0.53

<b>Change Classification</b>	<input type="checkbox"/> Major <input checked="" type="checkbox"/> Minor	<b>Impact to Form, Fit, Function</b>	<input type="checkbox"/> Yes <input checked="" type="checkbox"/> No
<b>Impact to Data Sheet</b>	<input type="checkbox"/> Yes <input checked="" type="checkbox"/> No	<b>New Revision or Date</b>	<input checked="" type="checkbox"/> N/A

**Impact to Performance, Characteristics or Reliability:**  
 No impact to FFFQR of the product – update of the datasheet to be consistent with the physical part released to mass production.

<b>Implementation Date</b>	Immediate	<b>Work Week</b>	In line with implementation date
<b>Last Time Ship (LTS)</b> <small>Of unchanged product</small>	Not Applicable	<b>Affecting Lot No. / Serial No. (SN)</b>	All shipped material
<b>Sample Availability</b>	Updated datasheet attached	<b>Qualification Report Availability</b>	Not applicable

**Supporting Documents for Change Validation/Attachments:**

- Updated Datasheet




# PRODUCT CHANGE NOTIFICATION

PCN-000486

Date: 2APR2018

P2/2

Issuing Authority	
Semtech Business Unit:	
Semtech Contact Info:	<p>Les Fang Yuen Semtech Corporation Sr. Engineering Manager, QA 200 Flynn Road Camarillo, CA 93012 lfangyuen@semtech.com Office: (949) 269-4443</p> 
FOR FURTHER INFORMATION & WORLDWIDE SALES COVERAGE: <a href="http://www.semtech.com/contact/index.html#support">http://www.semtech.com/contact/index.html#support</a>	

## Appendix A – Revised Datasheet – RClamp3346P

### PROTECTION PRODUCTS

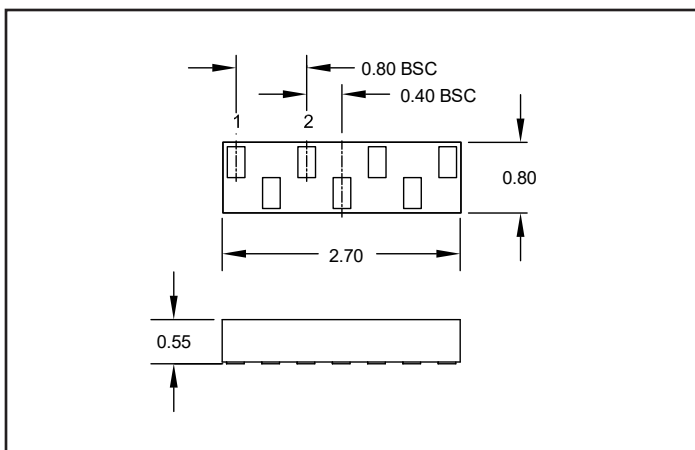
#### Description

The RClamp®3346P provides ESD protection for high-speed data interfaces. It features a high maximum ESD withstand voltage of  $\pm 17\text{kV}$  contact and  $\pm 20\text{kV}$  air discharge per IEC 61000-4-2. RClamp3346P is designed to minimize both the ESD peak clamping and the TLP clamping. Package inductance is reduced at each pin resulting in lower peak ESD clamping voltage. The dynamic resistance is among the industry's lowest at 0.15 Ohms (typical). Maximum capacitance on each line to ground is 0.65pF allowing the RClamp3346P to be used in applications operating in excess of 5GHz without signal attenuation. Each device will protect up to six lines (three high-speed pairs).

The RClamp3346P is in a 7-pin SGP2708N7 package measuring 2.7 x 0.8mm with a nominal height of 0.55mm. The leads have a nominal pin-to-pin pitch of 0.40mm. Flow-through package design simplifies PCB layout and maintains signal integrity on high-speed lines.

The combination of low peak ESD clamping, low dynamic resistance, and innovative package design enables this device to provide the highest level of ESD protection for applications such as USB 3.0, eSATA, and DisplayPort.

#### Package Dimension



#### Features

- ESD protection for high-speed data lines to
  - ♦ IEC 61000-4-2 (ESD)  $\pm 17\text{kV}$  (Contact),  $\pm 20\text{kV}$  (Air)
  - ♦ IEC 61000-4-5 (Lightning) 5A (8/20  $\mu\text{s}$ )
  - ♦ IEC 61000-4-4 (EFT) 40A (5/50ns)
- Package design optimized for high speed lines
- Flow-Through design
- Protects six high-speed lines
- Low capacitance: 0.65pF Maximum (I/O to Ground)
- Low ESD clamping voltage
- Low dynamic resistance: 0.15 Ohms (Typical)
- Solid-state silicon-avalanche technology

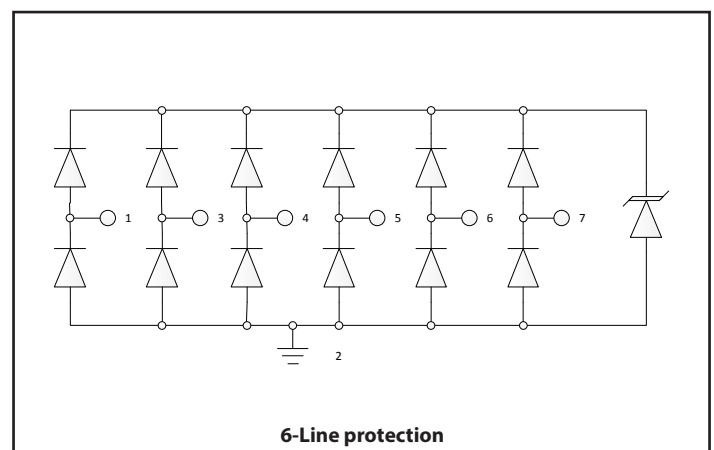
#### Mechanical Characteristics

- SGP2708N7 7-pin package (2.7 x 0.8 x 0.55mm)
- Pb-Free, Halogen Free, RoHS/WEEE compliant
- Lead Pitch: 0.4mm (intra-pair)
- Lead Finish: NiPdAu
- Marking: Marking code
- Packaging: Tape and Reel

#### Applications

- USB 3.0
- eSATA
- Display Port
- LVDS

#### Schematic & Pin Configuration



## Absolute Maximum Rating

Rating	Symbol	Value	Units
Peak Pulse Current ( $t_p = 8/20\mu s$ )	$I_{PP}$	4.5	A
ESD per IEC 61000-4-2 (Air) <sup>(1)</sup> ESD per IEC 61000-4-2 (Contact) <sup>(1)</sup>	$V_{ESD}$	$\pm 20$ $\pm 17$	kV
Operating Temperature	$T_J$	-40 to +125	°C
Storage Temperature	$T_{STG}$	-55 to +150	°C

## Electrical Characteristics (T=25°C unless otherwise specified)

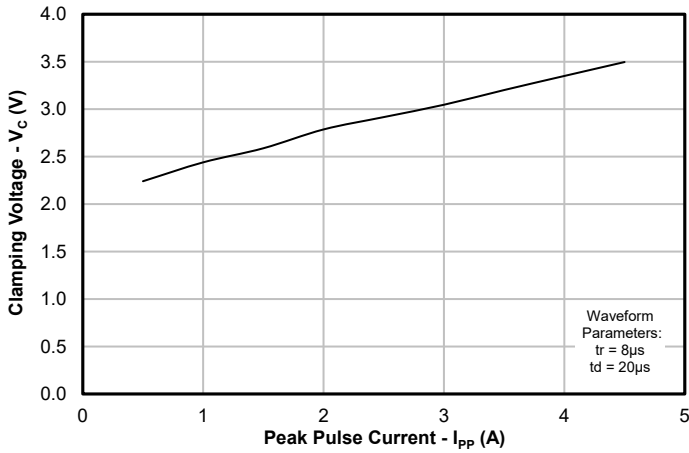
Parameter	Symbol	Conditions	Min.	Typ.	Max.	Units
Reverse Stand-Off Voltage	$V_{RWM}$	Any I/O to GND			3.3	V
Reverse Breakdown Voltage	$V_{BR}$	$I_{BR} = 10\mu A$	7	8	9	V
Reverse Leakage Current	$I_R$	$V_{RWM} = 3.3V$ Any I/O to GND	$T = 25^\circ C$	0.01	0.05	$\mu A$
			$T = 125^\circ C$		0.150	
Clamping Voltage	$V_C$	$t_p = 8/20\mu s$ Any I/O to GND	$I_{PP} = 1A$	2.5	3.5	V
			$I_{PP} = 4.5A$	3.5	4.5	
ESD Clamping Voltage <sup>2</sup>	$V_C$	$t_p = 0.2/100ns$	$I_{PP} = 16A$	5.5		V
			$I_{PP} = -16A$	-3		
Dynamic Resistance (positive) <sup>2,3</sup>	$R_{DYN}$	$t_p = 0.2/100ns$		0.15		$\Omega$
Dynamic Resistance (negative) <sup>2,3</sup>	$R_{DYN}$	$t_p = 0.2/100ns$		0.14		
Junction Capacitance	$C_J$	$V_R = 0V, f = 1MHz, \text{Any I/O to GND}$		0.60	0.65	$pF$
		$V_R = 0V, f = 1MHz, \text{Between I/O pins}$		0.30	0.40	

### Notes

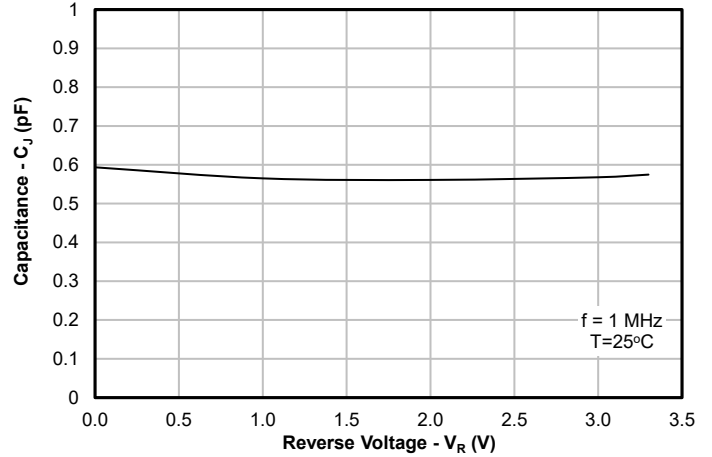
- 1) Measured with a 20dB attenuator, 50 Ohm scope input impedance, 2GHz bandwidth. ESD gun return path connected to ESD ground plane.
- 2) Transmission Line Pulse Test (TLP) Settings:  $t_p = 100ns$ ,  $t_r = 0.2ns$ ,  $I_{TLP}$  and  $V_{TLP}$  averaging window:  $t_1 = 70ns$  to  $t_2 = 90ns$ .
- 3) Dynamic resistance calculated from  $I_{TLP} = 4A$  to  $I_{TLP} = 16A$

# Typical Characteristics

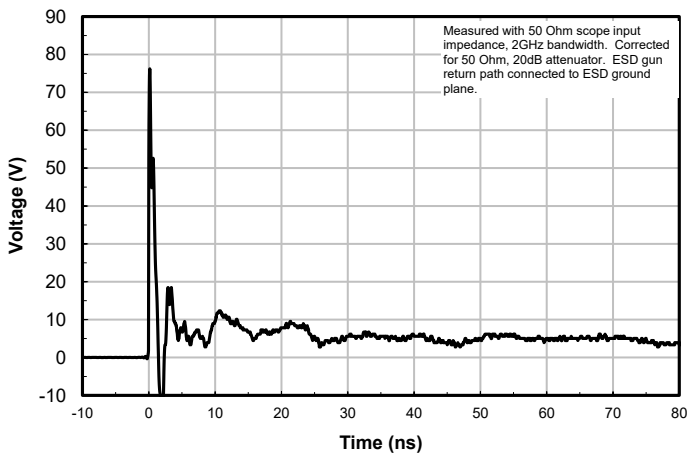
**Clamping Voltage vs. Peak Pulse Current  
(Between any I/O and Ground)**



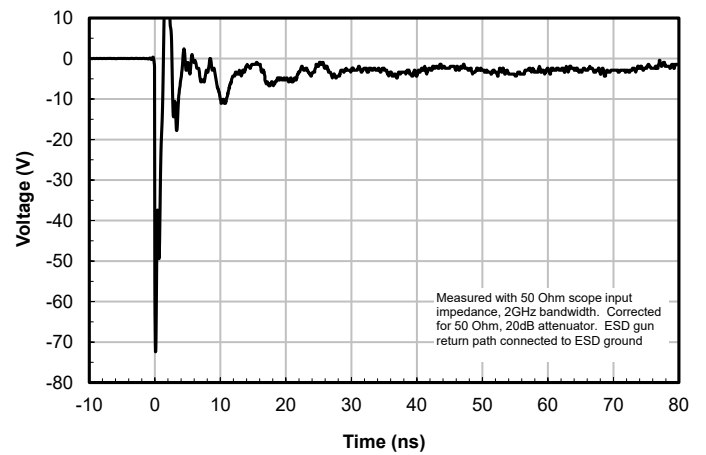
**Junction Capacitance vs. Reverse Voltage  
(Between any I/O and Ground)**



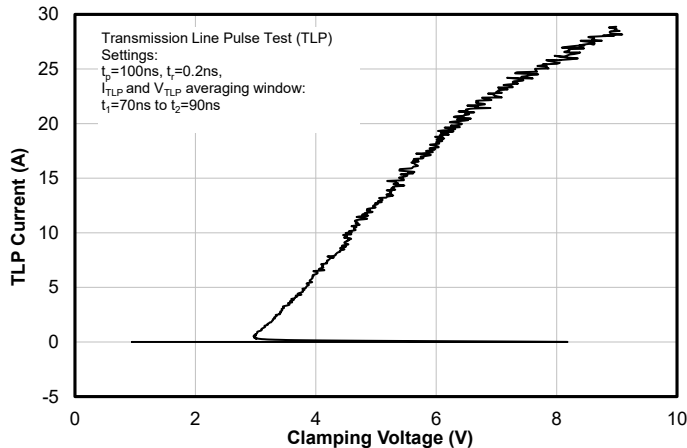
**ESD Clamping (+8kV Contact per IEC 61000-4-2)  
(Between any I/O and Ground)**



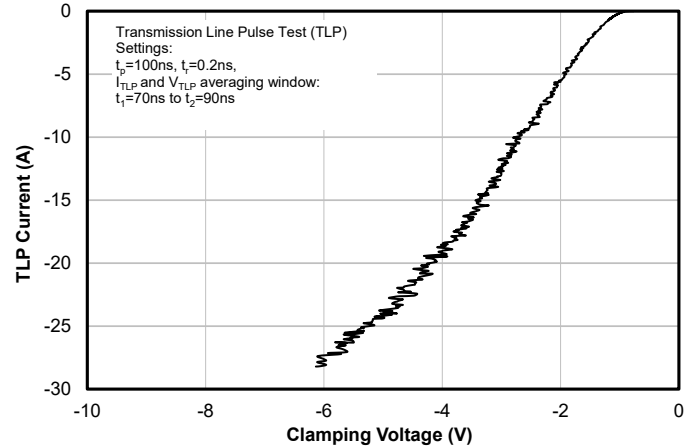
**ESD Clamping (-8kV Contact per IEC 61000-4-2)  
(Between any I/O and Ground)**



**TLP Characteristic (Positive)**

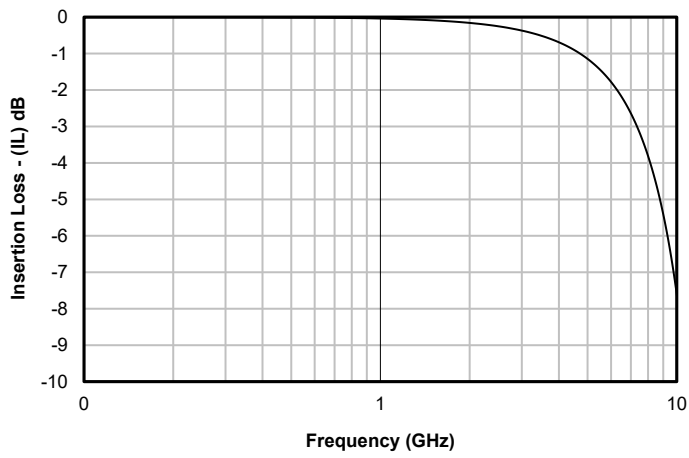


**TLP Characteristic (Negative)**

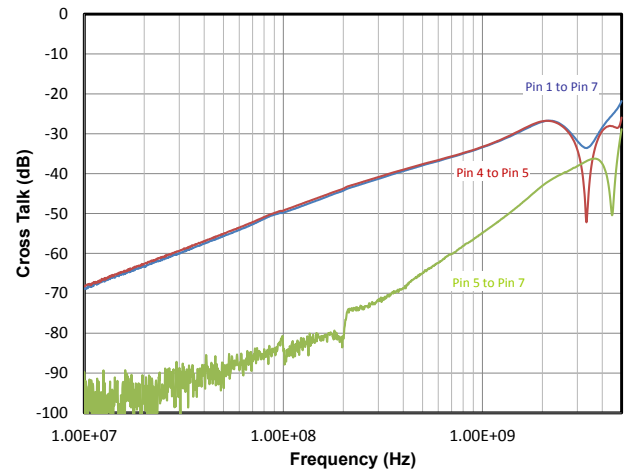


## Typical Characteristics (Continued)

Insertion Loss - S21



Analog Crosstalk



# Application Information

## Protecting USB 3.0 Ports

RClamp3346P is designed to protect all six USB 3.0 SuperSpeed and high speed differential lines. PCB traces enter and exit each I/O pin and ground is connected at pin 2. For best results, it is recommended that the ground connection be made using a filled via-in-pad. The via should be filled with a conductive paste. This technique saves board space and reduces parasitic inductance in the ground path. Figures 2 and 3 are examples of how to route high speed differential traces through the RClamp3346P. Differential impedance of each pair can easily be controlled for USB 3.0 (85 Ohms +/- 15%).

The RClamp3346P should be placed as close to the connector as possible for optimum ESD performance. Internal construction of the RClamp3346P has been optimized to minimize series inductance within the package. This helps to reduce the ESD peak clamping voltage. Dynamic resistance is extremely low (typically 0.15 Ohms) further reducing the ESD clamping voltage.

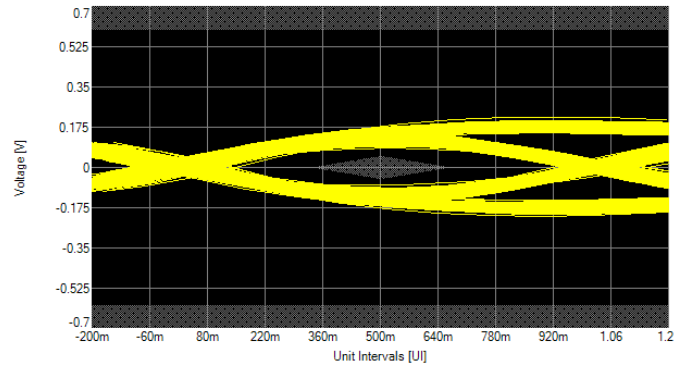


Figure 1 - USB 3.0 Eye Diagram with RClamp3346P

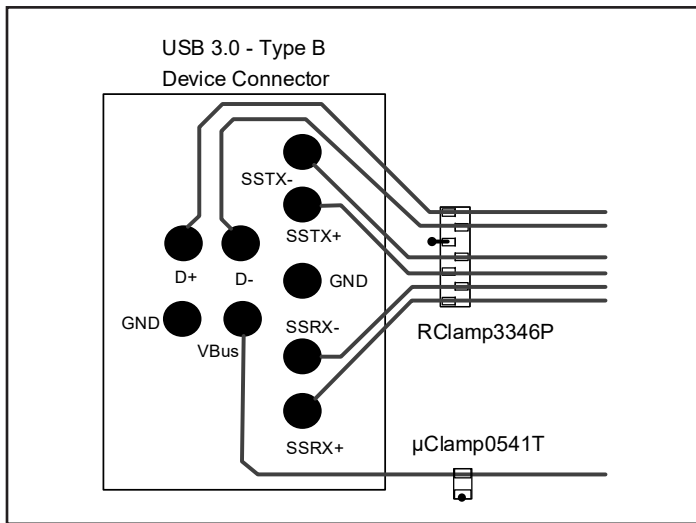


Figure 2 - Example USB 3.0 Layout (Type B Device Connector)

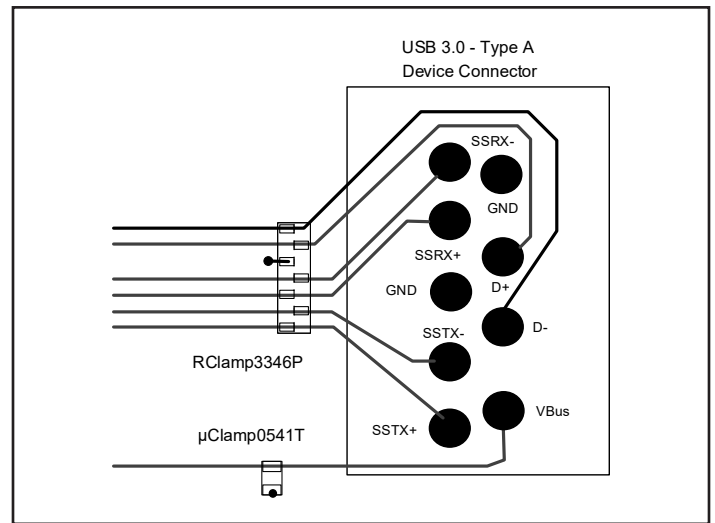


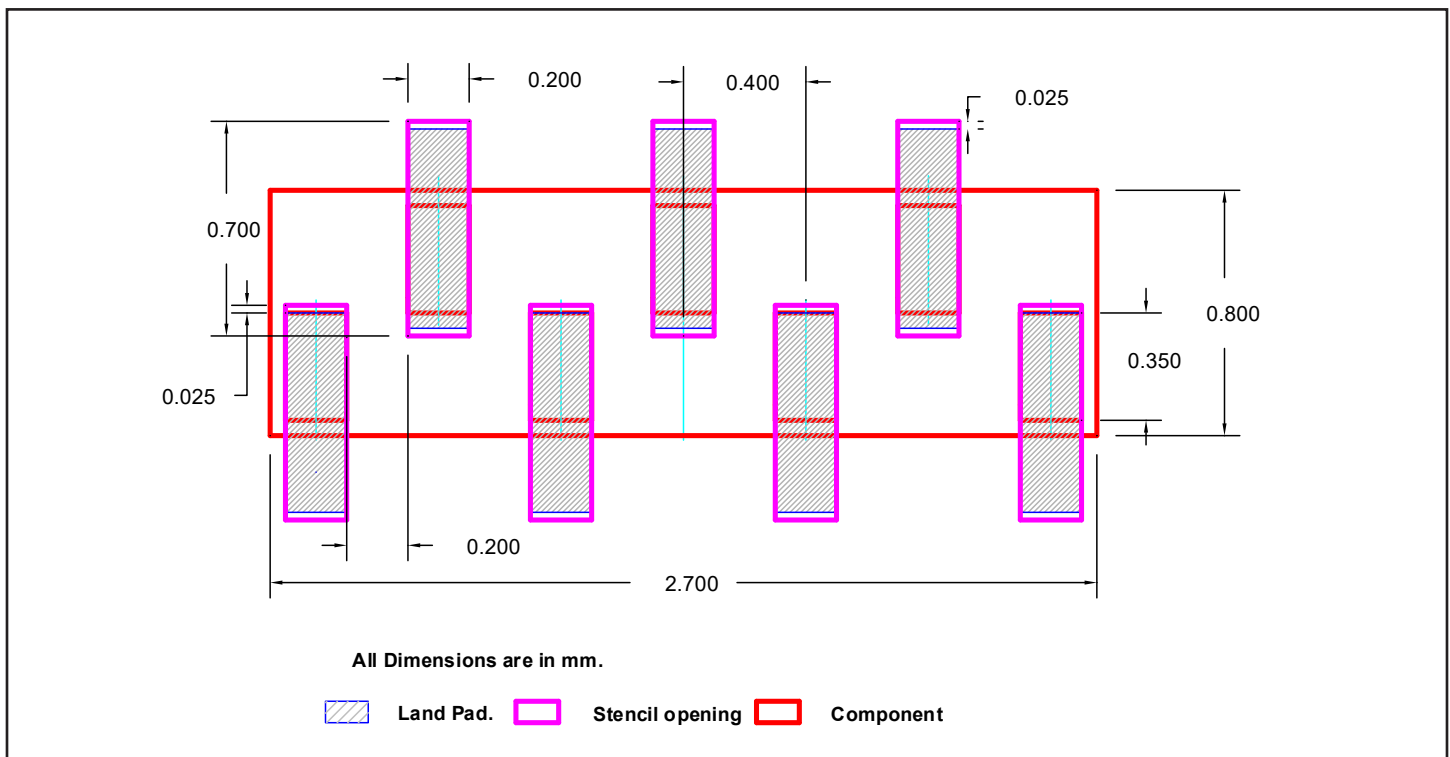
Figure 3 - Example USB 3.0 Layout (Type A Device Connector)

# Application Information

## Assembly Guidelines

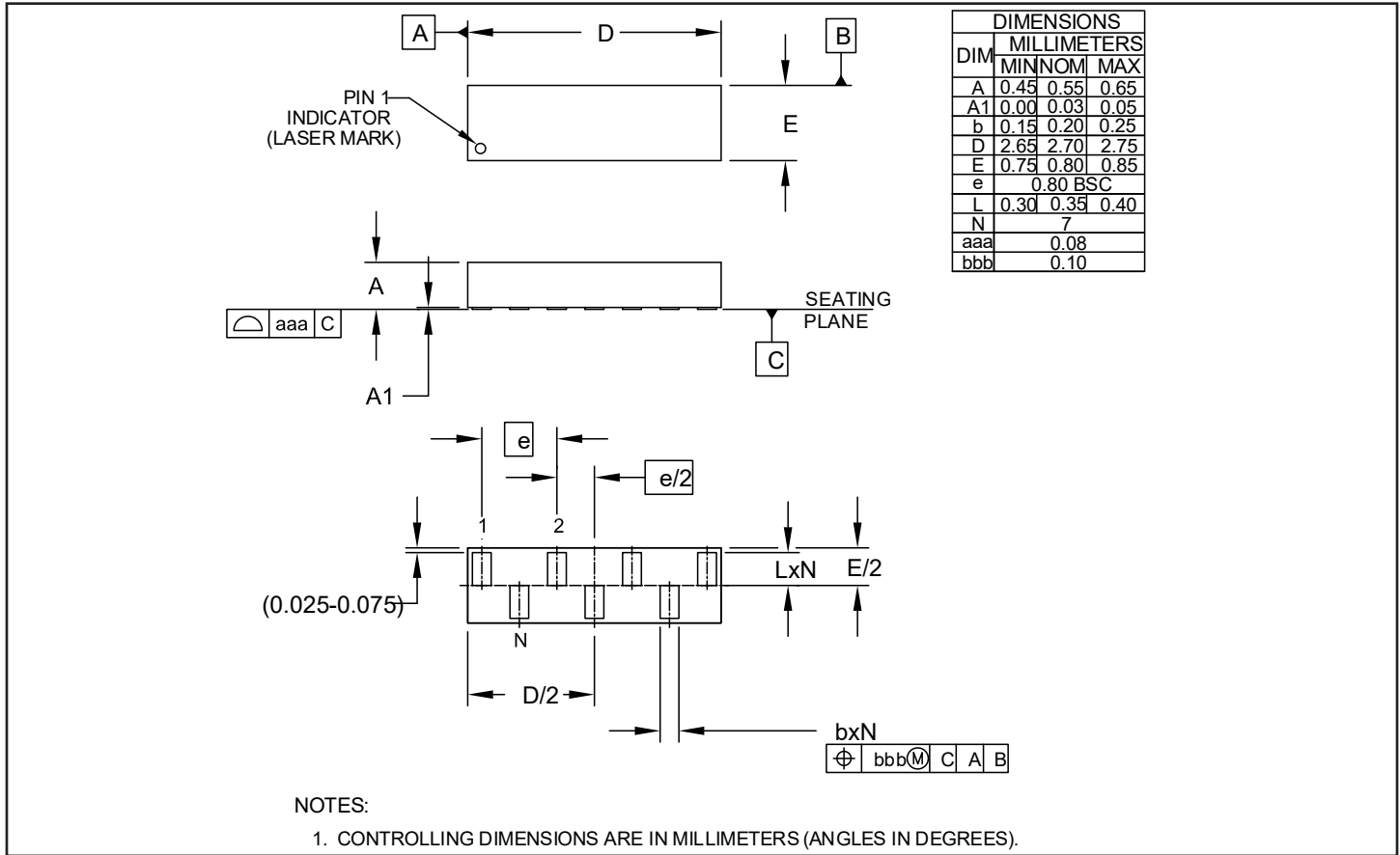
The small size of this device means that some care must be taken during the mounting process to insure reliable solder joint. Semtech's recommended assembly guidelines for mounting this device are shown in the Table 1. Figure 4 details Semtech's recommended aperture. Note that these are only recommendations and should serve only as a starting point for design since there are many factors that affect the assembly process. Exact manufacturing parameters will require some experimentation to get the desired solder application.

Assembly Parameter	Recommendation
Solder Stencil Design	Laser cut, Electro-Polished
Aperture shape	Rectangular with rounded corners
Solder Stencil Thickness	0.100 mm (0.004")
Solder Paste Type	Type 4 size sphere or smaller
Solder Reflow Profile	Per JEDEC J-STD-020
PCB Solder Pad Design	Non-Solder mask defined
PCB Pad Finish	OSP OR NiAu

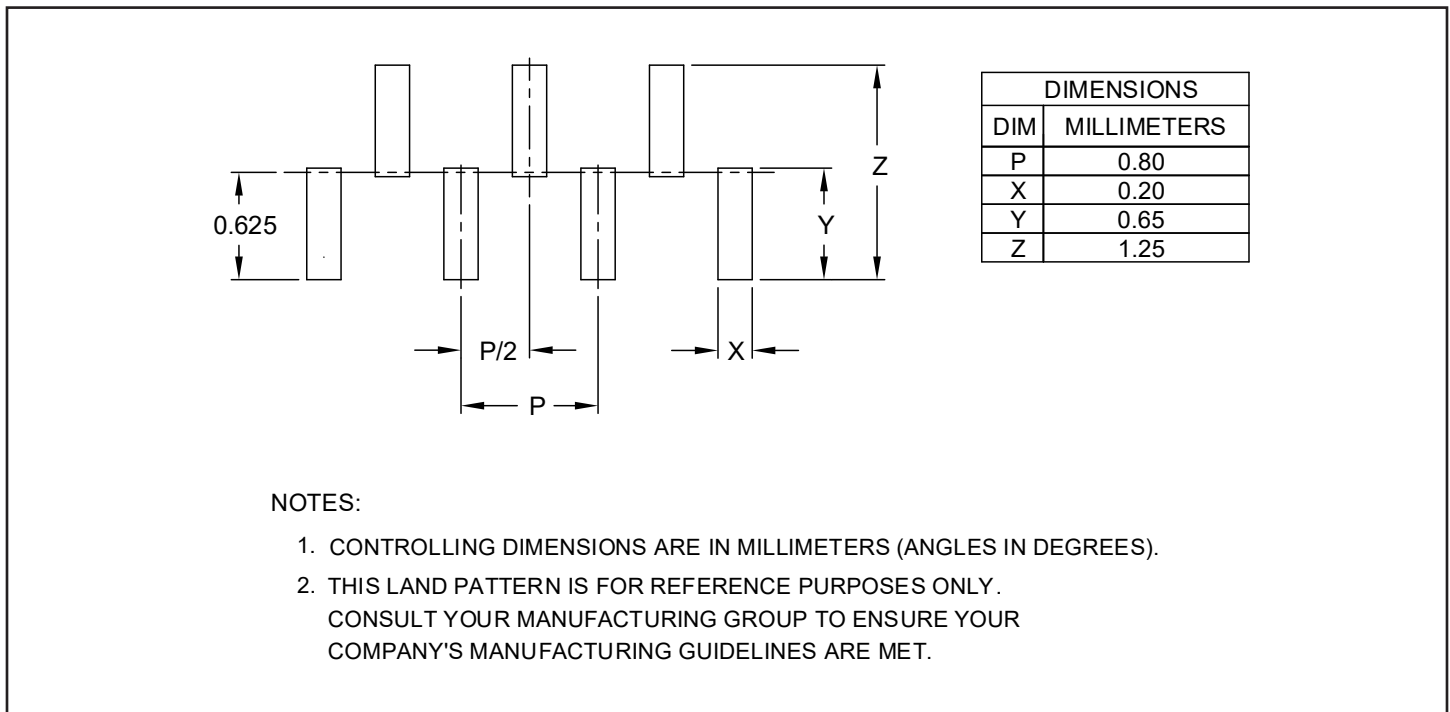




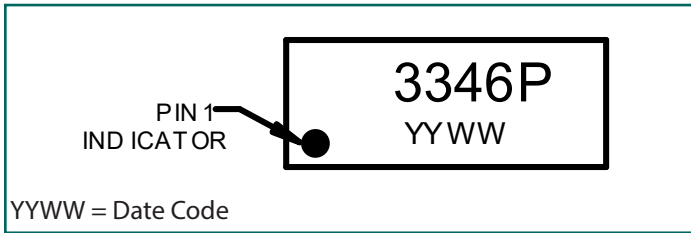
# Outline Drawing - SGP2708N7



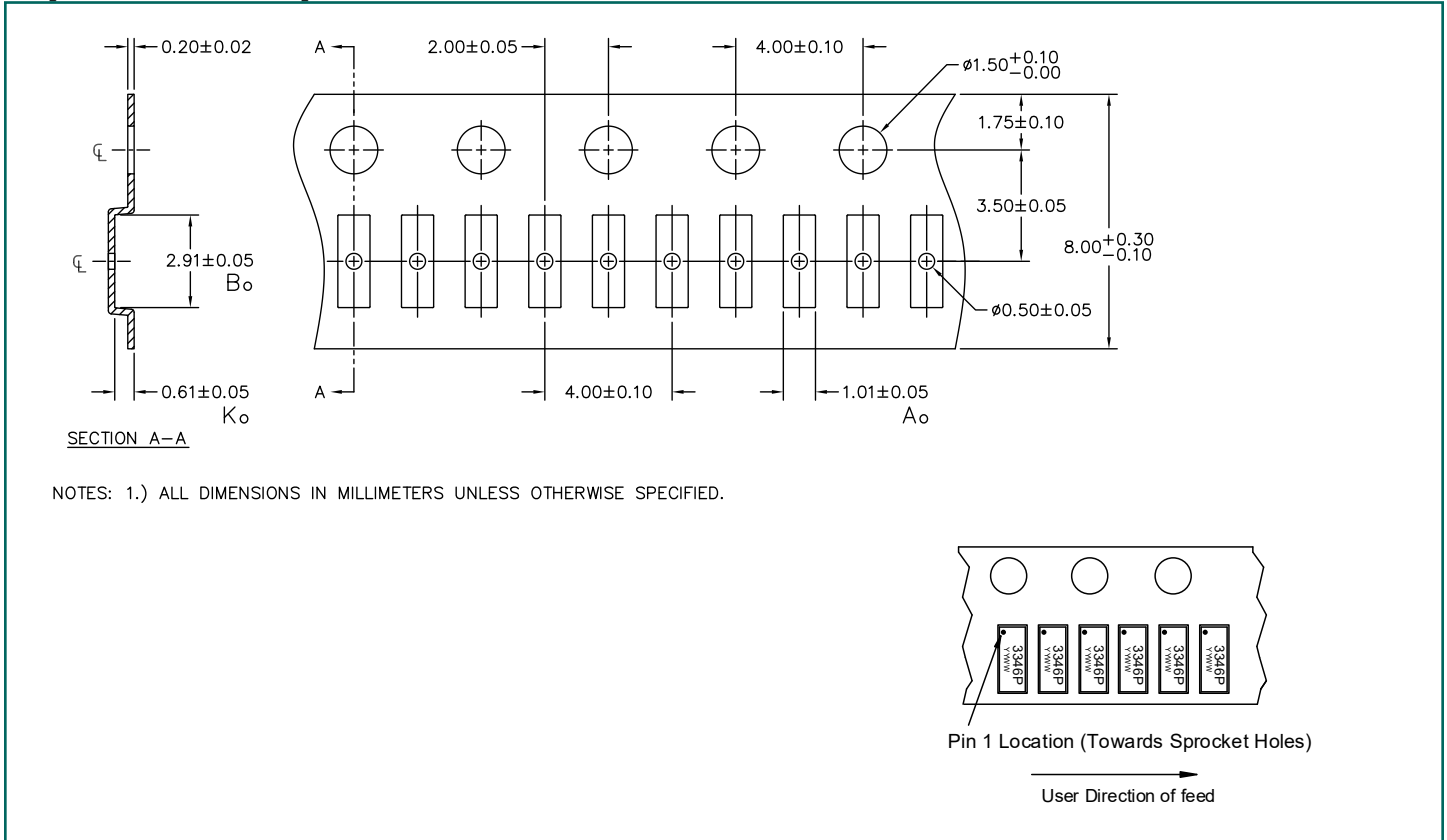
# Land Pattern - SGP2708N7



# Marking Code



# Tape and Reel Specification



# Ordering Information

Part Number	Qty per Reel	Reel Size
RClamp3346P.TNT	10,000	7"



---

#### IMPORTANT NOTICE

Information relating to this product and the application or design described herein is believed to be reliable, however such information is provided as a guide only and Semtech assumes no liability for any errors in this document, or for the application or design described herein. Semtech reserves the right to make changes to the product or this document at any time without notice. Buyers should obtain the latest relevant information before placing orders and should verify that such information is current and complete. Semtech warrants performance of its products to the specifications applicable at the time of sale, and all sales are made in accordance with Semtech's standard terms and conditions of sale.

SEMTECH PRODUCTS ARE NOT DESIGNED, INTENDED, AUTHORIZED OR WARRANTED TO BE SUITABLE FOR USE IN LIFE-SUPPORT APPLICATIONS, DEVICES OR SYSTEMS, OR IN NUCLEAR APPLICATIONS IN WHICH THE FAILURE COULD BE REASONABLY EXPECTED TO RESULT IN PERSONAL INJURY, LOSS OF LIFE OR SEVERE PROPERTY OR ENVIRONMENTAL DAMAGE. INCLUSION OF SEMTECH PRODUCTS IN SUCH APPLICATIONS IS UNDERSTOOD TO BE UNDERTAKEN SOLELY AT THE CUSTOMER'S OWN RISK. Should a customer purchase or use Semtech products for any such unauthorized application, the customer shall indemnify and hold Semtech and its officers, employees, subsidiaries, affiliates, and distributors harmless against all claims, costs damages and attorney fees which could arise.

The Semtech name and logo are registered trademarks of the Semtech Corporation. All other trademarks and trade names mentioned may be marks and names of Semtech or their respective companies. Semtech reserves the right to make changes to, or discontinue any products described in this document without further notice. Semtech makes no warranty, representation or guarantee, express or implied, regarding the suitability of its products for any particular purpose. All rights reserved.

© Semtech 2018

---

#### Contact Information

Semtech Corporation  
200 Flynn Road, Camarillo, CA 93012  
Phone: (805) 498-2111, Fax: (805) 498-3804  
[www.semtech.com](http://www.semtech.com)