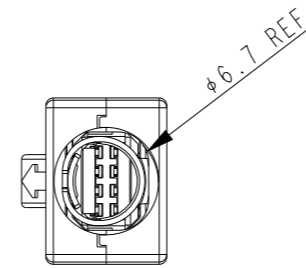
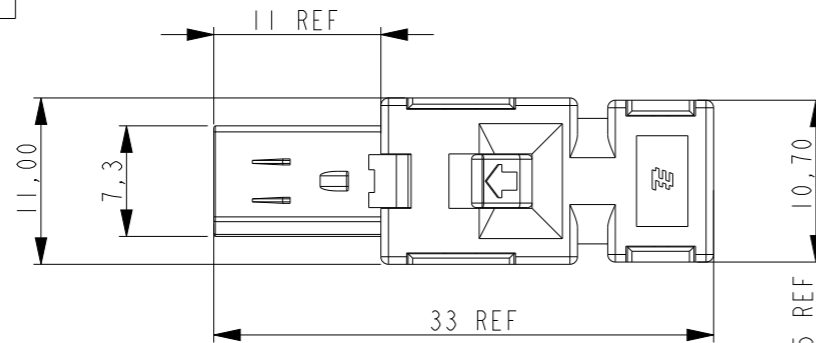
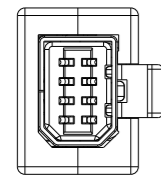
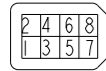


P	LTR	DESCRIPTION	DATE	DWN	APVD
	D2	ECR-19-007308	08MAY2019	SS	PP
	D3	NOTE 4 ADDED (PROP 65 WARNING)	25AUG2020	SS	JDB
	D4	ADD NEW PART VARIANT 3-2013595-1	02SEP2020	SS	JDB
	E	ECR-22-147692 CANCEL PRINT INK ON EJECTOR	07FEB2023	BP	JDB

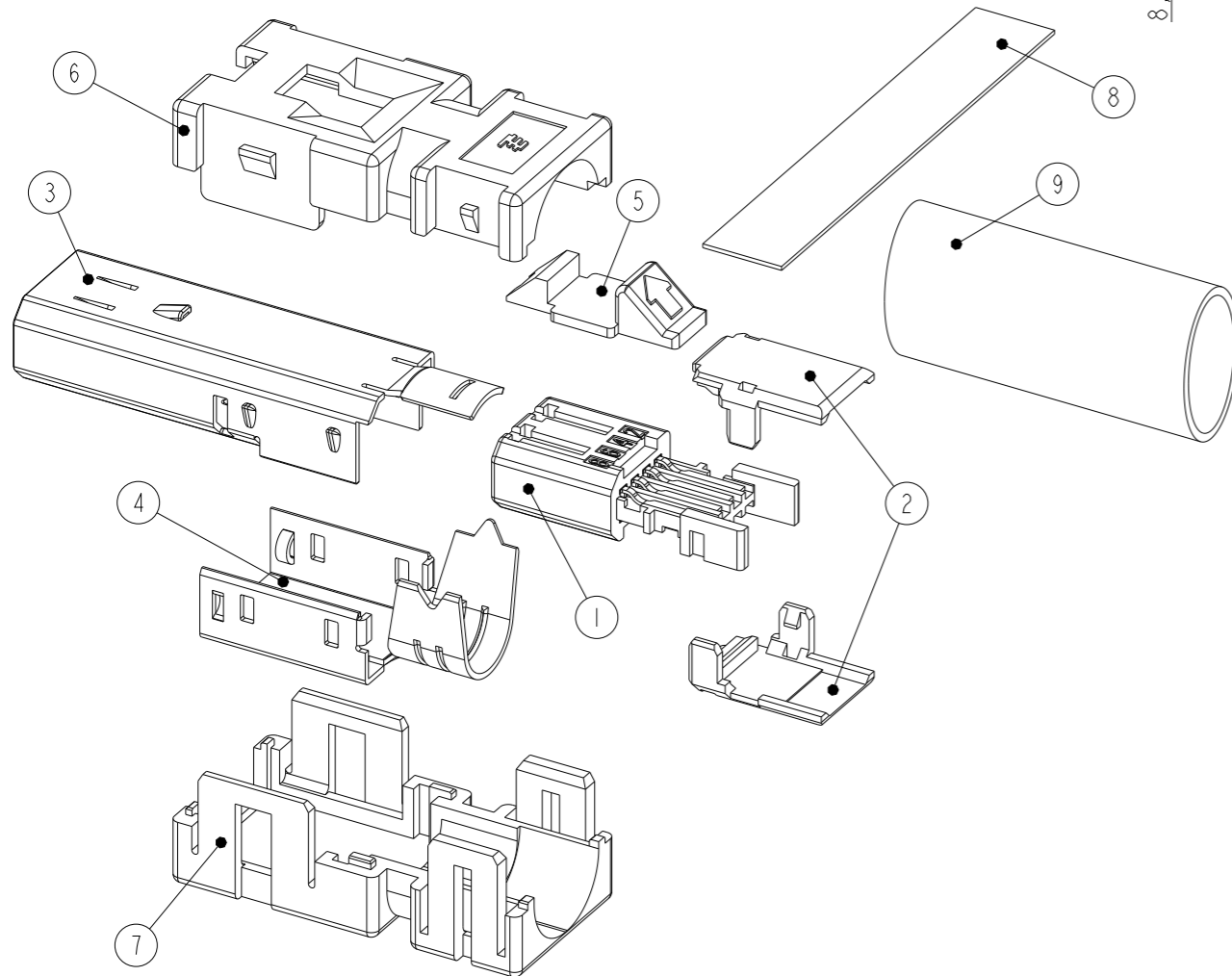
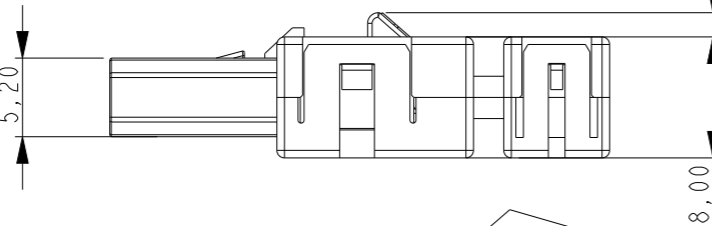


D-SHAPE TYPE I



CIRCUIT NO.

VIEW



4	4	4	4	4	REQ'D/ASSY	MATERIAL / FINISH	PART NAME	COLOR	ITEM NO.
1	1	-	1	1	CROSS-LINKED POLYOLEFIN		HEAT SHRINKABLE TUBE		9
1	1	-	1	1	ELECTROLYSIS COPPER FOIL, ACRYLIC ADHESIVE MATERIAL		COPPER FOIL TAPE		8
-	1	-	-	-	POLYESTER OF GLASS FILLED THERMO PLASTIC(UL94V-0)		BOTTOM COVER	YELLOW	7
-	-	1	-	-	POLYESTER OF GLASS FILLED THERMO PLASTIC(UL94V-0)		BOTTOM COVER	GREY	
1	-	-	1	1	POLYESTER OF GLASS FILLED THERMO PLASTIC(UL94V-0)		BOTTOM COVER	BLACK	
-	1	-	-	-	POLYESTER OF GLASS FILLED THERMO PLASTIC(UL94V-0)		TOP COVER	YELLOW	6
-	-	1	-	-	POLYESTER OF GLASS FILLED THERMO PLASTIC(UL94V-0)		TOP COVER	GREY	
1	-	-	1	1	POLYESTER OF GLASS FILLED THERMO PLASTIC(UL94V-0)		TOP COVER	BLACK	
-	1	-	-	-	POLYESTER OF GLASS FILLED THERMO PLASTIC(UL94V-0)		LOCK EJECTOR	WHITE PRINT	5
1	1	1	1	1	POLYESTER OF GLASS FILLED THERMO PLASTIC(UL94V-0)		LOCK EJECTOR	BLACK	
1	1	1	1	1	STEEL/UNDER:Cu PLATING, TOP:Ni PLATING		BOTTOM SHELL		4
1	1	1	1	1	STEEL/UNDER:Cu PLATING, TOP:Ni PLATING		TOP SHELL		3
2	2	2	2	2	POLYESTER OF GLASS FILLED THERMO PLASTIC(UL94V-0)		PLUG HSG COVER		2
1	-	-	-	-	CONTACT: COPPER ALLOY UNDER ALL SURFACE: Ni PLATING 1.27±0.075mm TOP CONTACT AREA: Au PLATING: 0.76mm SOLDERING AREA: Au FLASH HSG: POLY-AMID OF GLASS FILLED THERMO PLASTIC(UL94V-0)		PLUG HSG SUB ASSY		1
-	1	1	1	1	CONTACT: COPPER ALLOY UNDER ALL SURFACE: Ni PLATING 1.27±0.075mm TOP CONTACT AREA: Au PLATING: 0.5mm SOLDERING AREA: Au FLASH HSG: POLY-AMID OF GLASS FILLED THERMO PLASTIC(UL94V-0)				
3-2013595-1	2013595-4	2013595-3	2013595-2	2013595-1					

1. APPLICABLE CABLE: RECOMMENDED AWG30~26 X 8C  
MAX AWG22 X 4C  
OVERALL DIAMETER 6.7MAX.
2. DATE CODE IS DESCRIBED ON THE BUNDLED CUSTOMER DRAWING.
3. THE PRODUCT OF THIS DRAWING NO. IS PACKED INDIVIDUALLY IN PACKAGE OF EXCLUSIVE USE.

4 PROP 65 WARNING LABEL: SEE SHEET 2

THIS DRAWING IS A CONTROLLED DOCUMENT.

DWN S. INOMATA 12NOV2007  
CHK I. HASEGAWA 12NOV2007  
APVD I. HASEGAWA 12NOV2007

TE Connectivity

INDUSTRIAL MINI I/O  
PLUG CONNECTOR KIT  
D-SHAPE TYPE I

108-78405  
114-5431

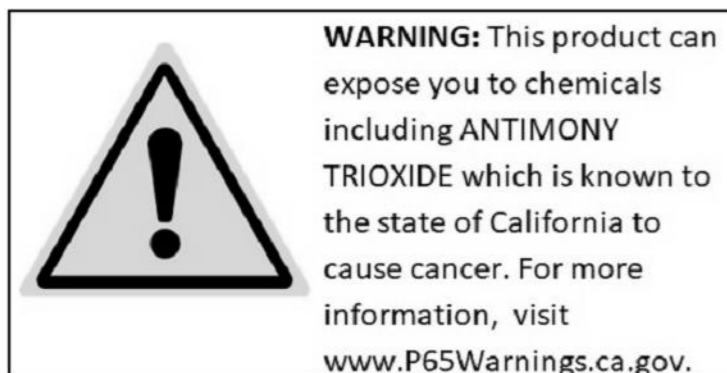
SIZE A3 CAGE CODE 00779 DRAWING NO. C-2013595

SCALE 5:2 SHEET 1 OF 2 REV E


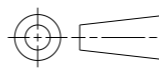
NOTES: CONTINUATION FROM SHEET 1:

4 PROP 65 WARNING LABEL:

- THE WARNING LABEL ON THE PRODUCT OR LOWEST LEVEL PACKAGING.
- CHEMICAL NAME: ANTIMONY TRIOXIDE



REVISIONS					
P	LTR	DESCRIPTION	DATE	DWN	APVD
	-	SEE SHEET 1	-	-	-

THIS DRAWING IS A CONTROLLED DOCUMENT.		DWN S. INOMATA 12NOV2007	 TE Connectivity		
DIMENSIONS: mm		CHK I. HASEGAWA 12NOV2007			
TOLERANCES UNLESS OTHERWISE SPECIFIED: ±0.3		APVD I. HASEGAWA 12NOV2007	NAME INDUSTRIAL MINI I/O PLUG CONNECTOR KIT D-SHAPE TYPE I		
		PRODUCT SPEC 108-78405	RESTRICTED TO		
MATERIAL SEE TABLE		APPLICATION SPEC 114-5431	SIZE A3	CAGE CODE 00779	DRAWING NO C-2013595
FINISH SEE TABLE		WEIGHT -	SCALE 5:2 SHEET 2 OF 2 REV E		
		CUSTOMER DRAWING			