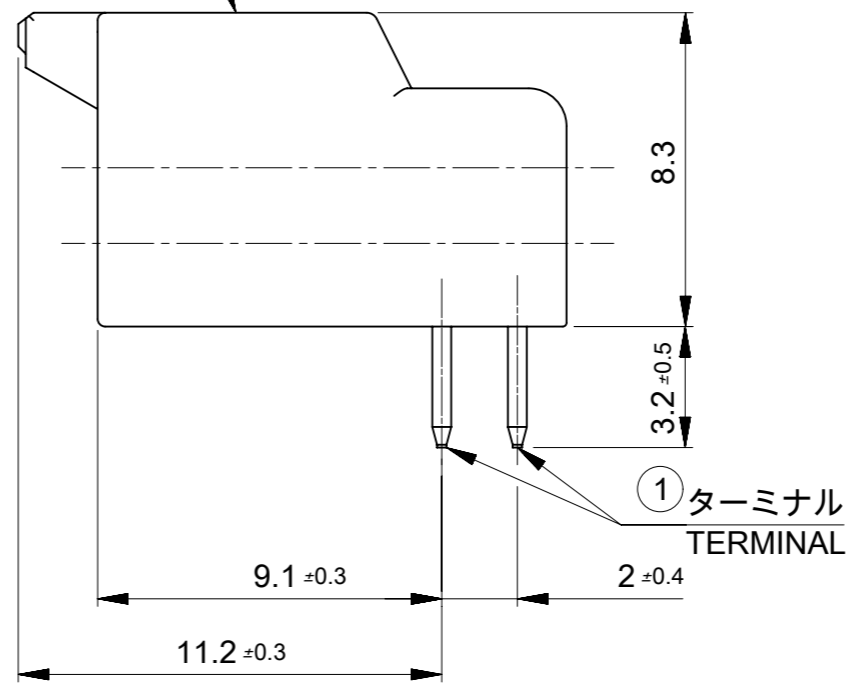
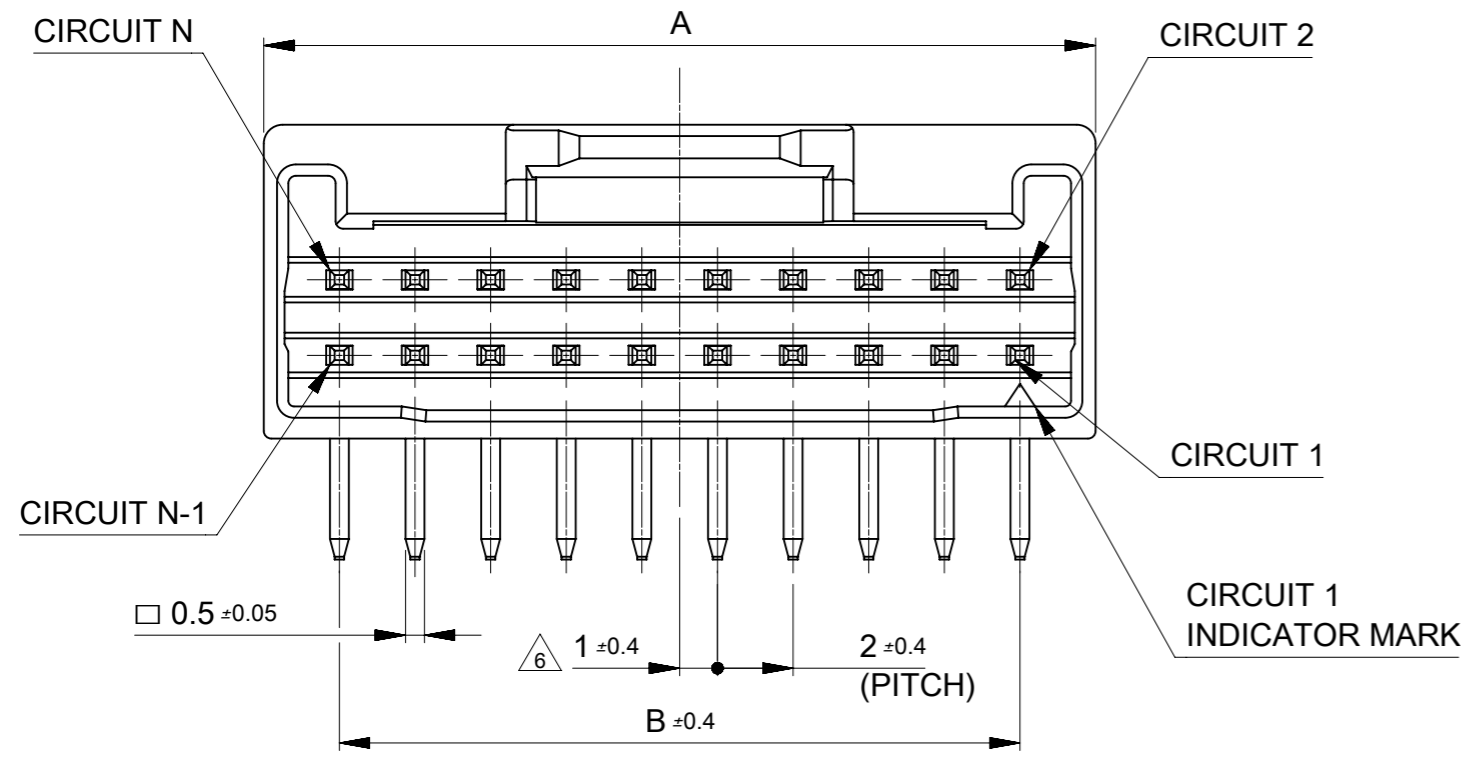


②ハウジング
HOUSING



9.2	38	42	40
9.2	36	40	38
9.2	34	38	36
9.2	32	36	34
9.2	30	34	32
9.2	28	32	30
9.2	26	30	28
9.2	24	28	26
9.2	22	26	24
9.2	20	24	22
9.2	18	22	20
9.2	16	20	18
9.2	14	18	16
9.2	12	16	14
9.2	10	14	12
7.3	8	12	10
C	B	A	極数 CIRCUIT SIZE

△ TABLE 1

番号 No.	部品 PART	材質 MATERIAL	
①	ターミナル TERMINAL	黄銅, BRASS	
		下地めっき UNDER PLATING	ニッケルめっき 1 micro-meter MIN. NICKEL PLATING 1 micro-meter MIN.
		コンタクト CONTACT	無光沢錫めっき 1micro-meter MIN. MATTE TIN PLATING 1micro-meter MIN.
	テール SOLDER TAIL		
②	ハウジング HOUSING	ポリアミド(PA)ガラス入り, UL94V-0, 色 : SEE CHART POLYAMIDE(PA) GLASS FILLED, UL94V-0, COLOR : SEE CHART	

THIS DRAWING CONTAINS INFORMATION THAT IS PROPRIETARY TO MOLEX ELECTRONIC TECHNOLOGIES, LLC AND SHOULD NOT BE USED WITHOUT WRITTEN PERMISSION

DIMENSION UNITS mm	SCALE NTS	CURRENT REV DESC: RELEASED	
GENERAL TOLERANCES (UNLESS SPECIFIED)		molex IGRID 2.0 PLUG ASSEMBLY RIGHT ANGLE TIN PLATING PRODUCT CUSTOMER DRAWING	
ANGULAR TOL	± 3.0 °		
4 PLACES	± 0.2		
3 PLACES	± 0.2		
2 PLACES	± 0.2		
1 PLACE	± 0.2	EC NO: 622682 DRWN: SNAKAMURA08 2019/08/15 CHK'D: SAKIYAMA 2019/08/21 APPR: AIDA 2019/08/21	
0 PLACES	± 0.2	INITIAL REVISION: DRWN: SNAKAMURA08 2019/05/14 APPR: KOMURAKAMI 2019/05/24	
DRAFT WHERE APPLICABLE MUST REMAIN WITHIN DIMENSIONS	THIRD ANGLE PROJECTION	DRAWING A3-SIZE	SERIES 501876

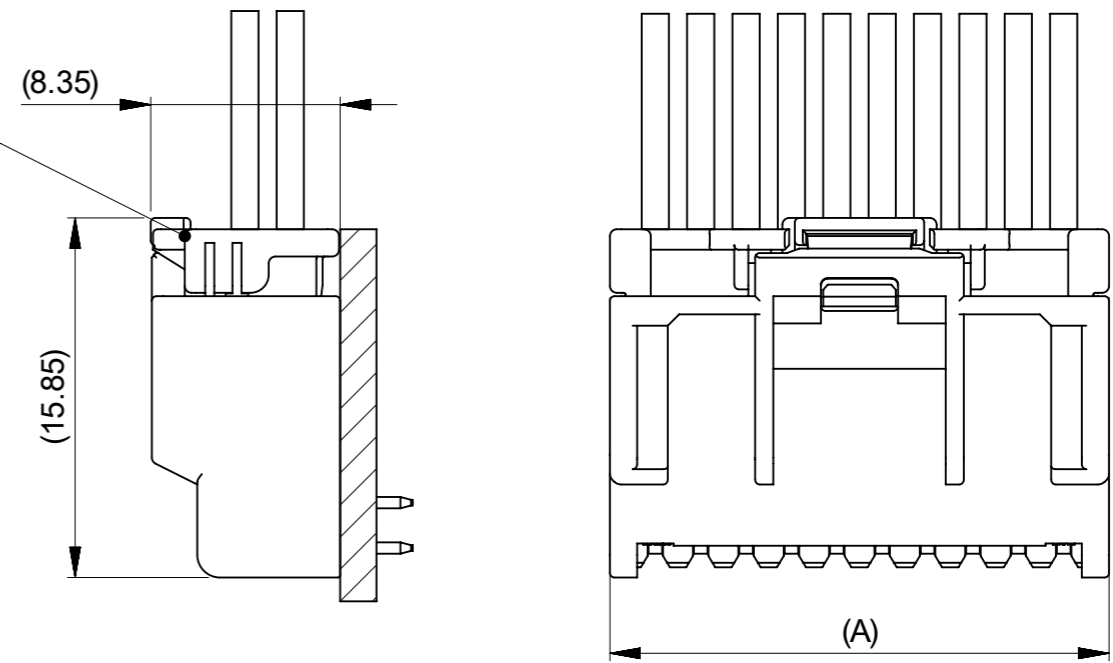
DOCUMENT NUMBER	DOC TYPE	DOC PART	REVISION
5018760000-SD	PSD	000	B
MATERIAL NUMBER	CUSTOMER	SHEET NUMBER	
	GENERAL	1 OF 3	

NOTES.

1. 材料及び仕上げ(めっき仕様) : TABLE 1 参照
MATERIAL AND FINISHES : SEE TABLE 1
2. 製品仕様書 : PS-501646-001
PRODUCT SPECIFICATION:PS-501646-001
3. 嵌合相手:
MATES WITH:

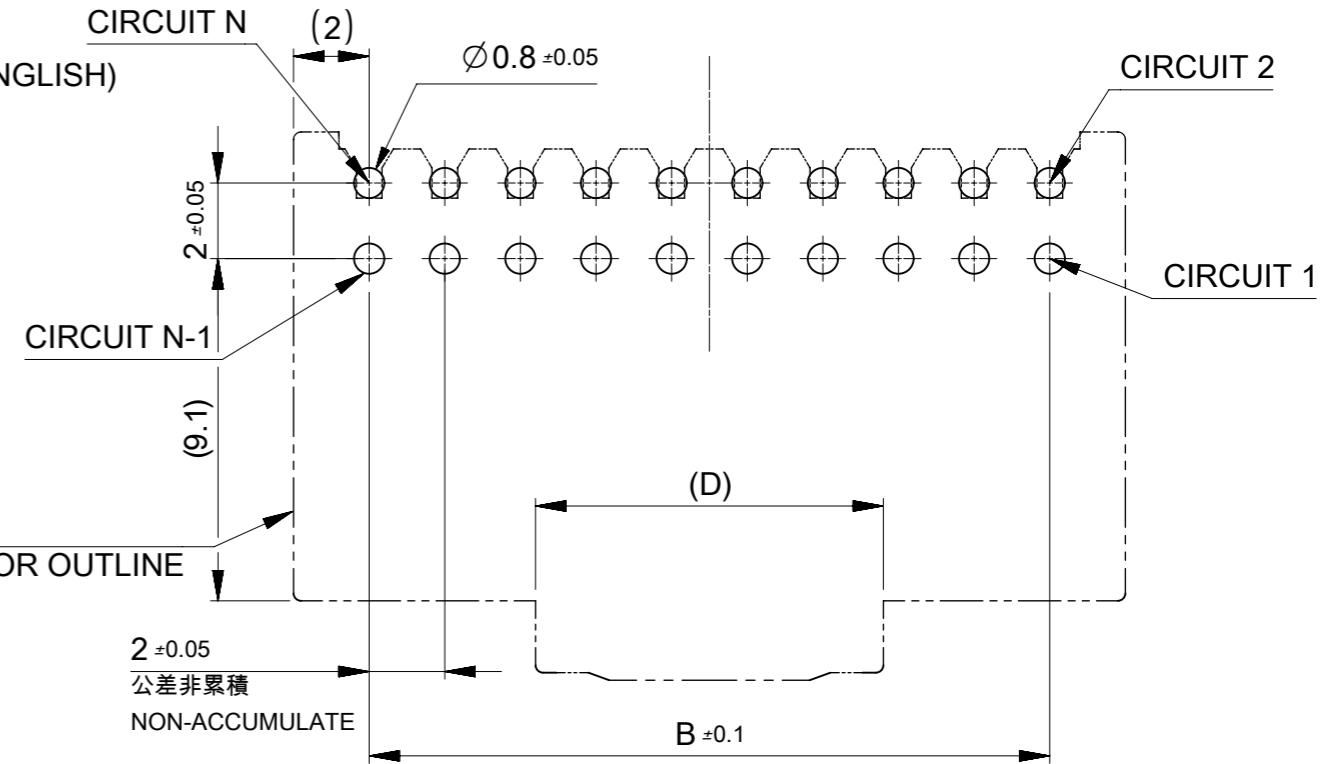
リセプタクルハウジング RECEPTACLE HOUSING	501646 SERIES	
圧着端子 RECEPTACLE CRIMP TERMINAL	AWG #22-26 錫めっき AWG #22-26 TIN PLATING	501647 SERIES
	AWG #26-28 錫めっき AWG #26-28 TIN PLATING	501648 SERIES

嵌合相手 501646 SERIES
MATE WITH : 501646 SERIES



嵌合図
MATED CONNECTORS

4. アプリケーション仕様書(コネクタ取扱い説明書) : 5016460000/PS/000/-A00 (日本語)/-A01 (英語)
APPLICATION SPECIFICATION(CONNECTOR MANNUAL): 5016460000/PS/000/-A00 (JAPANESE)/-A01 (ENGLISH)
5. 本製品は錫めっき品です。
THIS PRODUCT IS A TIN PLATING.
6. 極数/2 = 偶数に適応
APPLY FOR CIRCUIT SIZE / 2 =EVEN
7. ターミナルに錫めっきを使用している為、外観に摺動痕が付く場合があります。
THE WOUND OF FRICTION MIGHT ADHERE TO EXTERNALS
BECAUSE THE TIN PLATING IS USED IN TERMINAL.
8. 梱包仕様書: SPK-501876-001
PACKING INFORMATION : SPK-501876-001
9. 発注番号 : SHEET 3 参照
ORDER No. : PLEASE REFER TO SHEET 3 FOR PRODUCT LIST



製品輪郭線
CONNECTOR OUTLINE

基板取付穴推奨寸法(マウント面)
RECOMMENDED PWB HOLE DIMENSION (MOUNTING SIDE)
参考基板厚 t=1.2~1.6
REFERANCE PWB THICKNESS t=1.2~1.6

501876 **4*

極数
CIRCUIT SIZE

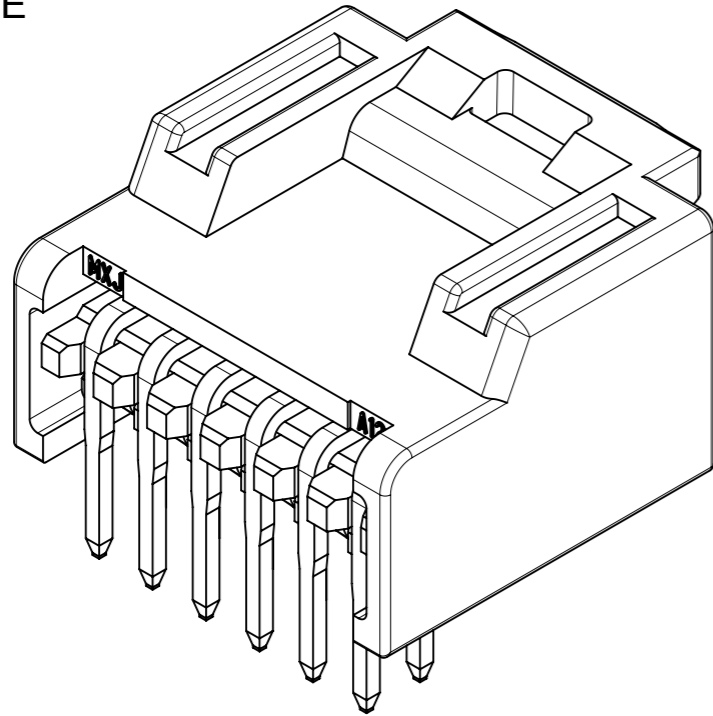
ハウジングカラー HOUSING COLOR
0:ナチュラル NATURAL
1:黒 BLACK
2:赤 RED
3:黄 YELLOW
4:青 BLUE
5:桃 PINK
6:緑 GREEN
7:茶 BROWN
8:橙 ORANGE
9:紫 BIOLET

THIS DRAWING CONTAINS INFORMATION THAT IS PROPRIETARY TO MOLEX ELECTRONIC TECHNOLOGIES, LLC AND SHOULD NOT BE USED WITHOUT WRITTEN PERMISSION		CURRENT REV DESC: RELEASED		molex	
DIMENSION UNITS mm	SCALE NTS	EC NO: 622682			
GENERAL TOLERANCES (UNLESS SPECIFIED)		DRWN: SNAKAMURA08	2019/08/15	IGRID 2.0 PLUG ASSEMBLY RIGHT ANGLE TIN PLATING	
ANGULAR TOL	± 3.0 °	CHK'D: SAKIYAMA	2019/08/21	PRODUCT CUSTOMER DRAWING	
4 PLACES	± 0.2	APPR: AIDA	2019/08/21	DOCUMENT NUMBER	
3 PLACES	± 0.2	INITIAL REVISION:		5018760000-SD	
2 PLACES	± 0.2	DRWN: SNAKAMURA08	2019/05/14	DOC TYPE	DOC PART
1 PLACE	± 0.2	APPR: KOMURAKAMI	2019/05/24	PSD	000
0 PLACES	± 0.2	DRAFT WHERE APPLICABLE MUST REMAIN WITHIN DIMENSIONS		REVISION	B
THIRD ANGLE PROJECTION		DRAWING	SERIES	MATERIAL NUMBER	CUSTOMER
A3-SIZE		501876	GENERAL	SHEET NUMBER	
2 OF 3					

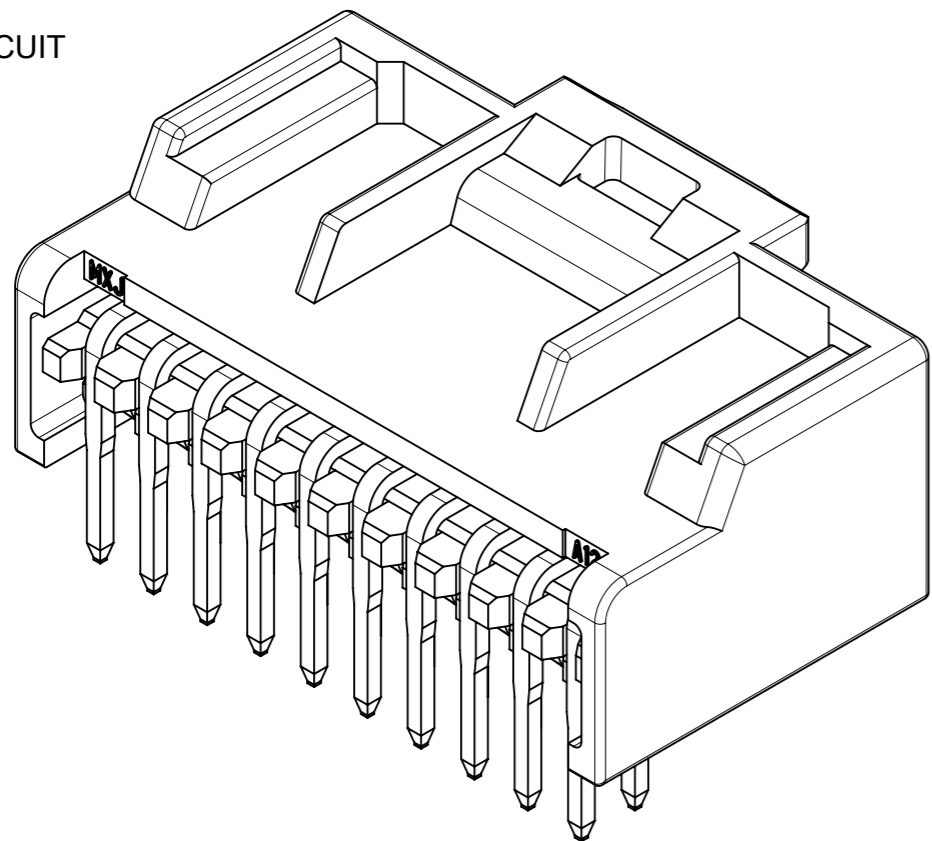
△ 製品一覧 PRODUCT LIST

製品形状
PRODUCT SHAPE

10, 12 極
10, 12 CIRCUIT



14 - 40 極
14 - 40 CIRCUIT



青: BLUE	黄: YELLOW	赤: RED	黒: BLACK	ナチュラル: NATURAL	HOUSING COLOR
501876 4044	501876 4043	501876 4042	501876 4041	501876 4040	40
↑ 3844	↑ 3843	↑ 3842	↑ 3841	↑ 3840	38
3644	3643	3642	3641	3640	36
3444	3443	3442	3441	3440	34
3244	3243	3242	3241	3240	32
3044	3043	3042	3041	3040	30
2844	2843	2842	2841	2840	28
2644	2643	2642	2641	2640	26
2444	2443	2442	2441	2440	24
2244	2243	2242	2241	2240	22
2044	2043	2042	2041	2040	20
1844	1843	1842	1841	1840	18
1644	1643	1642	1641	1640	16
1444	1443	1442	1441	1440	14
↓ 1244	↓ 1243	↓ 1242	↓ 1241	↓ 1240	12
501876 1044	501876 1043	501876 1042	501876 1041	501876 1040	10

発注番号 ORDER No.

極数

PACKAGING STYLE : TRAY

CIRCUIT SIZE

紫: VIOLET	橙: ORANGE	茶: BROWN	緑: GREEN	桃: PINK	HOUSING COLOR
501876 4049	501876 4048	501876 4047	501876 4046	501876 4045	40
↑ 3849	↑ 3848	↑ 3847	↑ 3846	↑ 3845	38
3649	3648	3647	3646	3645	36
3449	3448	3447	3446	3445	34
3249	3248	3247	3246	3245	32
3049	3048	3047	3046	3045	30
2849	2848	2847	2846	2845	28
2649	2648	2647	2646	2645	26
2449	2448	2447	2446	2445	24
2249	2248	2247	2246	2245	22
2049	2048	2047	2046	2045	20
1849	1848	1847	1846	1845	18
1649	1648	1647	1646	1645	16
1449	1448	1447	1446	1445	14
↓ 1249	↓ 1248	↓ 1247	↓ 1246	↓ 1245	12
501876 1049	501876 1048	501876 1047	501876 1046	501876 1045	10

発注番号 ORDER No.

極数

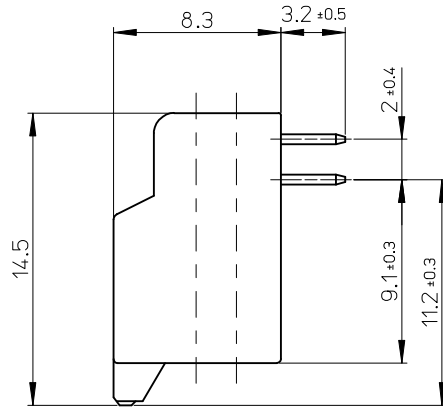
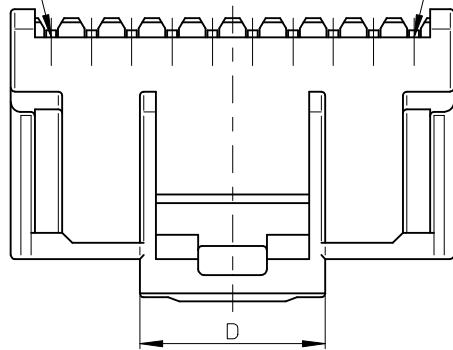
PACKAGING STYLE : TRAY

CIRCUIT SIZE

THIS DRAWING CONTAINS INFORMATION THAT IS PROPRIETARY TO MOLEX ELECTRONIC TECHNOLOGIES, LLC AND SHOULD NOT BE USED WITHOUT WRITTEN PERMISSION		CURRENT REV DESC: RELEASED		molex	
DIMENSION UNITS	SCALE				
mm	NTS			IGRID 2.0 PLUG ASSEMBLY RIGHT ANGLE TIN PLATING	
GENERAL TOLERANCES (UNLESS SPECIFIED)		EC NO: 622682		PRODUCT CUSTOMER DRAWING	
ANGULAR TOL	± 3.0 °	DRWN: SNAKAMURA08	2019/08/15	DOCUMENT NUMBER	
4 PLACES	± 0.2	CHK'D: SAKIYAMA	2019/08/21	DOC TYPE	
3 PLACES	± 0.2	APPR: AIDA	2019/08/21	DOC PART	
2 PLACES	± 0.2	INITIAL REVISION:		REVISION	
1 PLACE	± 0.2	DRWN: SNAKAMURA08	2019/05/14	5018760000-SD	
0 PLACES	± 0.2	APPR: KOMURAKAMI	2019/05/24	PSD	000
DRAFT WHERE APPLICABLE MUST REMAIN WITHIN DIMENSIONS		THIRD ANGLE PROJECTION	DRAWING	SERIES	MATERIAL NUMBER
		⊕	A3-SIZE	501876	CUSTOMER
				GENERAL	
				SHEET NUMBER	
				3 OF 3	

キャビティ番号
CAV. NO.

トレードマーク
TRADE MARK



注記
NOTES

- 材料 MATERIAL
ピン : 黄銅, ニッケル下地鍍メッキ
PIN : BRASS, REFLOWED TIN OVER COPPER PLATED
ハウジング : 66ナイロン(ガラス入り), UL94V-0
HOUSING : 66NYLON (G.F.), UL94V-0
- 嵌合相手 MATES WITH

REC. CRIMP HOUSING	501646 SERIES
REC. CRIMP TERMINAL	
AWG #22-26 TIN PLATING	501647 SERIES
AWG #26-28 TIN PLATING	501648 SERIES

△3 製品番号
MATERIAL NO.

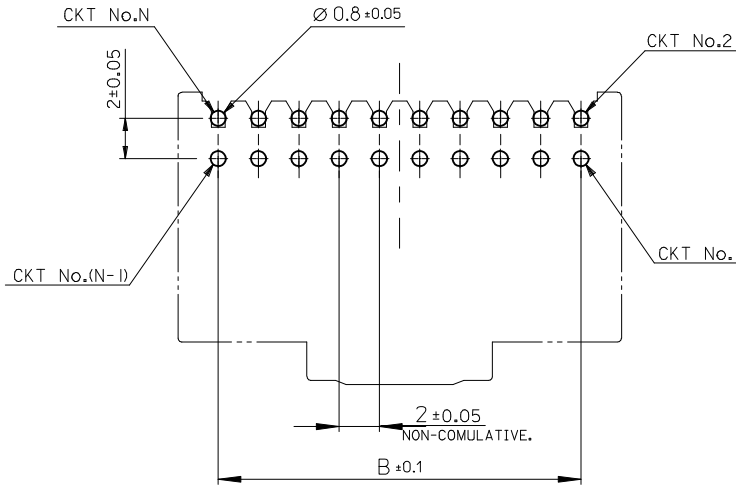
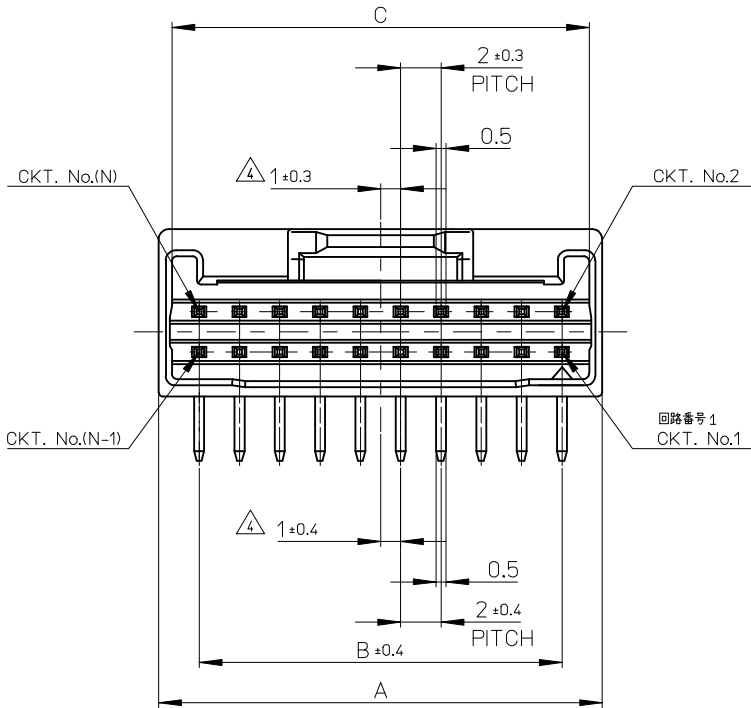
501876-***4*

極数 CIRCUIT SIZE 色 COLOR

△4 (全極数/2) = 偶数の場合に適用。
APPLY FOR (CIRCUIT/2) = EVEN

- ELV 及び RoHS 適合品
ELV AND RoHS COMPLIANT.

ナチュラル NATURAL	0
黒 BLACK	1
赤 RED	2
黄 YELLOW	3
青 BLUE	4
桃 PINK	5
緑 GREEN	6
茶 BROWN	7
橙 ORANGE	8
紫 VIOLET	9



基板取付穴推奨寸法 (マウント面)
RECOMMENDED P.C BOARD
HOLE DIMENSION
(MOUNTING SIDE)
(t=1.2~1.6)

9.2	40.7	38	42	501876-404*	40
9.2	38.7	36	40	-384*	38
9.2	36.7	34	38	-364*	36
9.2	34.7	32	36	-344*	34
9.2	32.7	30	34	-324*	32
9.2	30.7	28	32	-304*	30
9.2	28.7	26	30	-284*	28
9.2	26.7	24	28	-264*	26
9.2	24.7	22	26	-244*	24
9.2	22.7	20	24	-224*	22
9.2	20.7	18	22	-204*	20
9.2	18.7	16	20	-184*	18
9.2	16.7	14	18	-164*	16
9.2	14.7	12	16	-144*	14
9.2	12.7	10	14	-124*	12
7.3	10.7	8	12	501876-104*	10

REVISED EC NO: J2017-0032 DRWN: AIDA 2016/07/04 CHKD: SAKIYAMA 2016/07/04 APPR: IKANEKO 2016/07/12	GENERAL TOLERANCES (UNLESS SPECIFIED)		DIMENSION STYLE MM ONLY		SCALE 4:1	DESIGN UNITS METRIC	THIRD ANGLE PROJECTION	
	0.25 UNDER	UNDER	±0.03	DRAWN BY ERIGUCHI	DATE '05/07/08	TITLE IGRID 2.0MM W/B DUAL DIP PLUG ASSY RA		
	0.25 OVER	0.5 UNDER	±0.05	CHECKED BY ASAKAWA	DATE '05/07/08	molex		
	0.5 OVER	1.0 UNDER	±0.1	APPROVED BY ICHIKAWA	DATE '05/07/08			
	1.0 OVER	30 UNDER	±0.2	MATERIAL NO. 501876-***4*	DOCUMENT NO. SD-501876-001	SHEET NO. 1 OF 1		
10 OVER	30 UNDER	±0.25	DRAFT WHERE APPLICABLE MUST REMAIN WITHIN DIMENSIONS		THIS DRAWING CONTAINS INFORMATION THAT IS PROPRIETARY TO MOLEX ELECTRONIC TECHNOLOGIES, LLC AND SHOULD NOT BE USED WITHOUT WRITTEN PERMISSION			