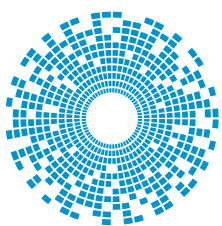


Worldwide Presence
Engineering Expertise
Leading Edge Technology
Award Winning Support
Our Commitment to Quality



Power Transformers, High Frequency and Surface Mount Magnetics



signal
TRANSFORMER

a bel group

+1 866.239.5777
belfuse.com/signal

Bel is a publicly traded company that has been operated by the same family for over 65 years. Our history of organic growth and acquisitions have broadened our product portfolio. This has established Bel as a world leader with a diverse offering of power, protection and interconnect products. We design and manufacture these products which are primarily used in the networking, telecommunications, computing, military, aerospace, transportation and broadcasting industries.

Bel's portfolio of products also finds application in the automotive, medical and consumer electronics markets.

Signal Transformer: Your ONE SOURCE for ALL your Magnetics needs

The largest product offering for Standard and Custom Power Transformers and High Frequency Magnetics.

Signal Transformer has designed and manufactured standard and custom power transformers and magnetics since our founding in 1959 in Brooklyn, NY. Utilizing our global manufacturing, engineering, and logistics capabilities and the resources of our parent company Bel Fuse Inc. (NASDAQ: BELFA & BELFB), Signal Transformer is positioned to support your needs wherever you are located. At Signal Transformer, we are committed to providing the highest grade magnetics for customers who demand total reliability, on-time delivery, and competitive pricing. Year after year, engineers and buyers consistently choose Signal Transformer as their preferred source for magnetics. Since 1959, we've led the magnetics industry with innovation, creativity, and reliability by:

- Pioneering and perfecting direct sales of off-the-shelf transformers and chokes to the user
- Maintaining a large inventory - over 1,000 different models of chokes and transformers in stock from 1 VA to 10 KVA, available off-the-shelf any time / every time
- Offering customized Stocking Programs, VMI and JIT
- Providing annual contract programs with competitive volume pricing
- Speedy service in obtaining the latest safety agency certifications including UL, CSA, VDE, IEC, EN, TUV, BSI, and CE for special customer needs

Design and Construction

Because we pride ourselves on listening to what our customers say, we at Signal have always been able to develop innovative, quality products to meet changing requirements. Our success has been built by continuously addressing all major concerns such as RoHS, flammability, voltage breakdown, high temperature materials, as well as design criteria such as:

- Smaller size and weight per VA (See our MPI, SHE, HPI & M4L series)
- Better performance through improved volumetric efficiency
- Superior suppression of radiated magnetic field (See our STP, IF, LPI series)
- Large VA, 3 Phase Transformers (See our 3PH series)
- High Frequency Magnetics designed for your specific application (see our H series)

Technical Support

Signal's staff of application engineers is one of the largest in the industry. Their extensive knowledge of regulatory and safety agency requirements insures expeditious handling of complex certification issues. Using the latest CAD/CAM software, the Signal team stands ready to respond quickly to your unique, design and application needs. You can reach them for consultation, or request a quotation, by calling Toll Free (866) 239-5777, or (516) 239-5777. Fax requests should be sent to (516) 239-7208. The team can be e-mailed at: techhelp@signaltransformer.com.

PRODUCT SELECTOR GUIDE

Find the Right Transformer for your Application

Chassis Mount

Power Range (VA)	Secondary Voltage Range	Agency Approvals	Description	Product Family	Page Number
250 - 2500	115 V - 230 V	UL	Super High Efficiency	SHE	4
1250 - 3500	115 V - 230 V	UL, CSA, VDE, TUV, CE	High Power International	HPI	5
200 - 900	5 V - 230 VCT	UL, CSA, TUV, CE	Multi-Purpose International	MPI	6-7
300 - 1000	120 V & 2x 12 V	UL	Machine Tool Transformers	MTT	8
100 - 2000	5 V - 230 VCT (2 x 115 V)	UL	Toroidal Power Transformers	STP	9
300 - 1000	115 V	UL, CSA, VDE, CE	High Performance in Less Space	M4L	10
300 - 1000	115 V, 120 V, 125 V	UL	SLT - Lighting Transformer	SLT	11
25 - 175	5 V - 230 VCT	UL, CSA, VDE, CE	International Series	A41	12-13
25 - 175	5 V - 230 VCT	UL, CSA, VDE, CE	International Series with Lead Wires	A41-L	14-15
25 - 80*	5 VDC & ±12 VDC or ±15 VDC	UL, CSA, VDE, CE	International Series Triple Output	A41*	16-17
25 - 80	12 V - 24 V	UL 5085-3, Class 2	Class 2	CL2	18-19
2.4 - 100	10 VCT - 120 VCT	UL, CSA	Split Bobbin Transformer	241 & DP-241	20-21
2.4 - 100	10 VCT - 120 VCT	UL, CSA	Split Bobbin with Lead Wires	241-L & DP-241-L	22-23
30 - 100*	5 VDC & ±12 VDC or ±15 VDC	UL, CSA	Split Bobbin Triple Output	MT & DMT*	24-25
105 - 450	12 V - 115 V or 24 VCT - 230 VCT	UL Listed, CE	High Efficiency, Touch Safe & DIN Rail	ECO	26-27

Printed Circuit Mount

Power Range (VA)	Secondary Voltage Range	Agency Approvals	Description	Product Family	Page Number
2.5 - 56	5 V - 36 VCT	UL, CSA, VDE, CE	International Series	14A	28-29
20 - 56*	5 VDC & ±12 VDC or ±15 VDC	UL, CSA, VDE, CE	International Series Triple Output	14A*	30-31
2.5 - 50	12 V - 24 V	UL 5085-3, Class 2	Class 2	CL2	32-33
2.0 - 48	5 V - 230 VCT	UL, CSA	Low Profile	LP	34-35
6.0 - 12*	5 VDC & ±12 VDC or ±15 VDC	UL, CSA	Low Profile Triple Output	MPL*	36-37
2.0 - 30	5V - 230 VCT	UL, CSA, VDE, CE	International Encapsulated Transformer	IF	38-39
2.5 - 18	5V - 230 VCT	UL, CSA, VDE, CE	International Encapsulated Low Profile Transformer	LPI	40-41
1.1 - 36	5V - 120 VCT	UL, CSA	Split Bobbin Transformer	ST/DST	42-43
1.0 - 24	5V - 120 VCT	UL, CSA	Miniature Transformer	PC/DPC	44-45
10 - 24*	5 VDC & ±12 VDC or ±15 VDC	UL, CSA	Miniature Triple Output	MPC/DMPC*	46-47

Supplemental Magnetics, Chokes, Rectifiers, Auto Transformers, Industrial Control, Three Phase & High Frequency Magnetics

Power Range (VA)	Secondary Voltage Range	Description	Product Family	Page Number
10 - 2000	5 VCT - 80 VCT	Conventional Power Transformers for Rectifier Circuits	DL	48-51
200 - 900	0.12 mH - 1000 mH (1 A - 200 A)	Filters and Chokes	CH & CL	52-53
100 - 2000	115 VCT - 230 VCT	Step Down Auto Transformers	EB & OF	54
100 - 45000	5 V - 4000 V	Three Phase Transformers	3PH	55
250 - 10000	12 V - 480 V	Power Isolation Step-Up / Step-Down Transformers	DU & SU	56-57
10 - 1000 µH	—	High Current Toroidal Inductors	HCTI	58
—	—	High Frequency Transformers	H	59
—	—	Transformer Accessories and Connectors	—	60-61

* Triple Output transformers are suitable for microprocessor and regulated power supply applications.



Toll Free 866-239-5777 | Tel 516-239-5777 | Fax 516-239-7208
sales@signaltransformer.com | techhelp@signaltransformer.com

belfuse.com/signal

SUPER HIGH EFFICIENCY TRANSFORMERS

Chassis Mount

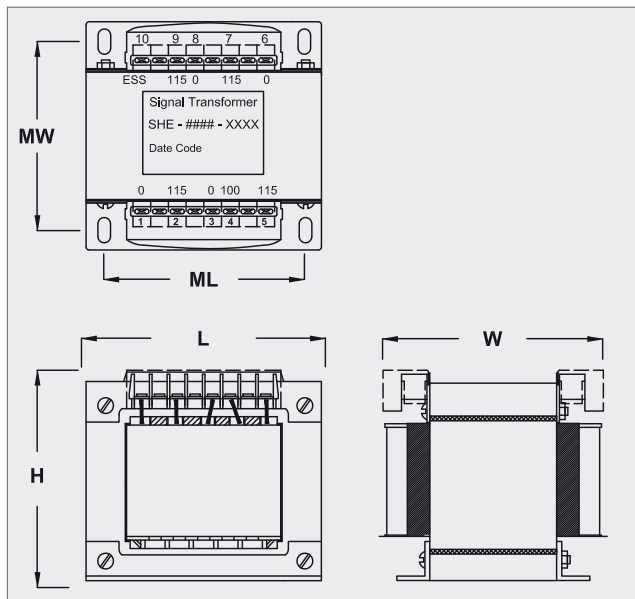
High Reliability with Clean Efficient Power Transfer for Optimal Performance



The SHE series of Super High Efficiency transformers are specifically designed to reduce power operational costs. By utilizing optimal quality core and conductor materials, SHE transformers achieve superior ratings which address the overall trend to go “green” with cleaner, more efficient use of power.

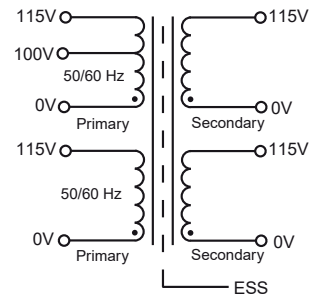
General Specifications

- Power - 250 VA to 2500 VA
- Dielectric Strength - 4000 Vrms Hipot
- Input - Dual / tapped windings:
 - Parallel connection 100 V, 115 V 50/60 Hz
 - Series connection 215 V, 230 V 50/60 Hz
- Output - Dual windings
 - Parallel connection 115 V
 - Series connection 230 V
- Regulation 2.5% maximum
- Efficiency 97.5% minimum
- Temperature rise 60° C maximum
- Electrostatic Shield - Solid copper full width foil
- Touch-Safe terminals (IP20 type) offer a screw/binding clamp for hard wiring and 3/16” & 1/4” Fast-On connections
- Leakage Current @ <50 micro Amps
- Insulation System - Class H, 180° C
- Clean power with distortion free output



Agency Certifications

- UL 1446, File # E66312
- Compliant with the following domestic and international standards: UL506 / UL5085, CSA C22.2, No. 66.2-06, VDE 0805 and VDE 0550, IEC / EN61558



Part Number	VA	Secondary RMS Rating		Mechanical Dimensions					Weight
		Size	Series	Parallel	L	W	H	ML	
	Inches (mm)								
SHE-250	250	230 V @ 1.1 A	115 V @ 2.2 A	5.40 (137.2)	4.00 (101.6)	4.75 (120.7)	4.50 (114.3)	2.88 (73.2)	11.75 (5.33)
SHE-500	500	230 V @ 2.2 A	115 V @ 4.4 A	5.40 (137.2)	5.00 (127.0)	4.75 (120.7)	4.50 (114.3)	3.88 (98.6)	17.56 (7.97)
SHE-750	750	230 V @ 3.3 A	115 V @ 6.6 A	5.40 (137.2)	6.00 (152.4)	4.75 (120.7)	4.50 (114.3)	4.88 (124.0)	22.62 (10.26)
SHE-1000	1000	230 V @ 4.3 A	115 V @ 8.7 A	7.70 (195.6)	5.50 (139.7)	6.63 (168.4)	5.75 (146.1)	4.38 (111.3)	34.80 (15.79)
SHE-1500	1500	230 V @ 6.5 A	115 V @ 13.0 A	7.70 (195.6)	6.00 (152.4)	6.63 (168.4)	5.75 (146.1)	4.75 (120.7)	41.50 (18.82)
SHE-2000	2000	230 V @ 8.7 A	115 V @ 17.4 A	7.70 (195.6)	6.50 (165.1)	6.63 (168.4)	5.75 (146.1)	5.25 (133.4)	48.02 (21.78)
SHE-2500	2500	230 V @ 10.9 A	115 V @ 21.8 A	7.70 (195.6)	7.00 (177.8)	6.63 (168.4)	5.75 (146.1)	5.75 (146.1)	56.54 (25.65)

Custom versions available upon request.



Toll Free 866-239-5777 | Tel 516-239-5777 | Fax 516-239-7208
sales@signaltransformer.com | techhelp@signaltransformer.com

belfuse.com/signal

HIGH POWER INTERNATIONAL TRANSFORMERS

Greater Performance in Less Space and Weight



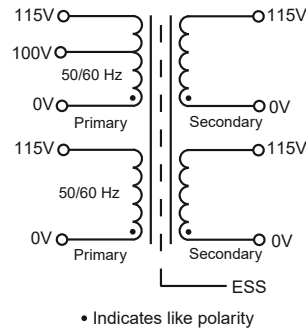
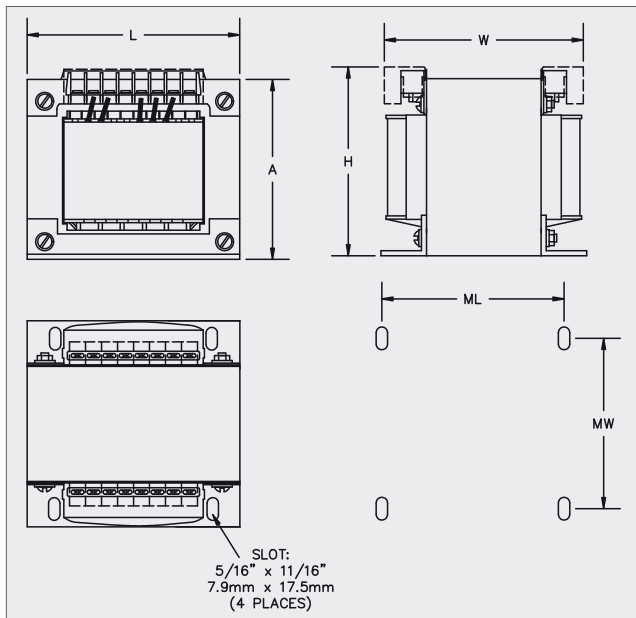
Constructed on a concentric platform, Signal's HPI series provides reinforced insulation while maintaining superior volumetric efficiency.

General Specifications

- Power - 1250, 1500, 1750, 2000, 2750 and 3500 VA ratings
- Dielectric Strength - 4.0 kV
- Available Input Voltage - 100 V, 115 V, 215 V, 230 V, 50/60 Hz
- Output Voltage - 115/230 V
- Touch-Safe terminals (IP20 type) offer a screw/binding clamp for hard wiring and 3/16" & 1/4" Fast-On connections
- Leakage Current @ <50 micro Amps
- Insulation System - UL Recognized Class H (180° C)
- Flammability Rating - UL 94-V0

Agency Certifications

- UL recognized to UL 506 / UL 5085-2, File # E63829, meets UL60601-1 construction
- CSA certified to C22.2 #66.1, File # 221070
- UL Insulation Systems 1446, E66312
- IEC / EN Standards IEC / EN 61558, VDE 0550, License # 2994
- TUV Rheinland Certified IEC / EN 60950, License # R9373110.2
- CE Compliance VDE Declaration of Conformity 73/23/EEC



Part Number	VA	Secondary RMS Rating		Mechanical Dimensions						Weight
		Size	Series	Parallel	L	W	H	A	ML	
	Inches (mm)									
HPI-12*	1250	230 V @ 5.4 A	115 V @ 10.9 A	7.06 (179.3)	5.1 (129.6)	6.10 (154.9)	6.03 (153.2)	5.50 (139.7)	3.69 (93.7)	31.0 (14.07)
HPI-15*	1500	230 V @ 6.5 A	115 V @ 13.0 A	7.06 (179.3)	5.5 (139.7)	6.10 (154.9)	6.03 (153.2)	5.50 (139.7)	4.03 (103.0)	35.75 (16.23)
HPI-17*	1750	230 V @ 7.6 A	115 V @ 15.2 A	7.06 (179.3)	5.89 (149.7)	6.10 (154.9)	6.03 (153.2)	5.50 (139.7)	4.48 (113.3)	38.50 (17.50)
HPI-20	2000	230 V @ 8.7 A	115 V @ 17.4 A	7.50 (190.5)	5.26 (133.7)	6.56 (166.5)	6.25 (158.8)	5.75 (146.1)	4.35 (110.5)	40.1 (18.16)
HPI-27	2750	230 V @ 12.0 A	115 V @ 24.0 A	7.50 (190.5)	5.89 (149.7)	6.56 (166.5)	6.25 (158.8)	5.75 (146.1)	4.98 (126.5)	48.0 (21.77)
HPI-35	3500	230 V @ 15.2 A	115 V @ 30.4 A	7.50 (190.5)	6.99 (177.6)	6.56 (166.5)	6.25 (158.8)	5.75 (146.1)	6.08 (154.4)	62.4 (28.30)

* All models have UL, CSA, TUV and VDE agency approvals except those marked with * which have TUV instead of VDE.

Custom versions available upon request.



Toll Free 866-239-5777 | Tel 516-239-5777 | Fax 516-239-7208
sales@signaltransformer.com | techhelp@signaltransformer.com

belfuse.com/signal

MULTI-PURPOSE INTERNATIONAL TRANSFORMERS

High Performance with Greater Volumetric Efficiency



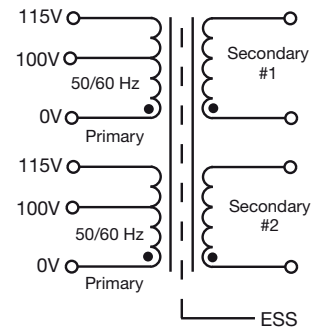
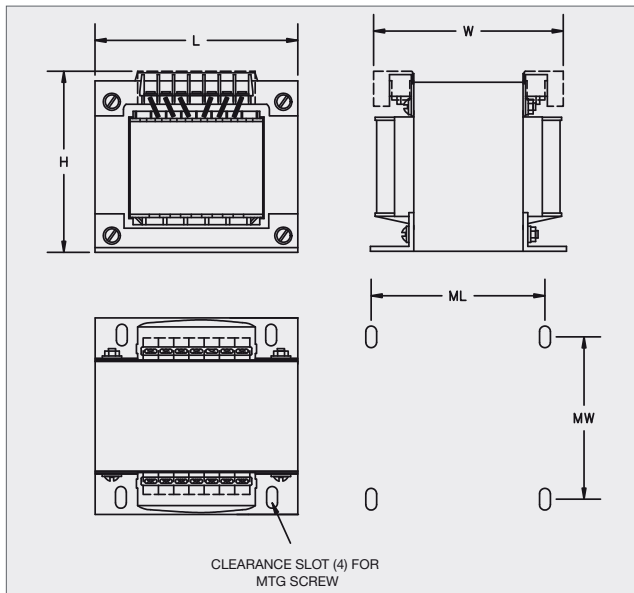
Signal's MPI transformers feature higher volumetric efficiency for improved performance compared with conventional 50/60 Hz transformers. They also incorporate international safety features making them ideal for worldwide applications.

General Specifications

- Power - 200 VA to 900 VA
- Dielectric Strength - 4000 Vrms Hipot
- Primaries - Dual / tapped primaries 100 V, 115 V, 200 V, 215 V, 230 V - 50/60 Hz
- Dual Secondaries - Series or parallel
- Electrostatic Shield - Solid copper full width foil
- Touch Safe IP20 Type Terminals - Quick connect 3/16" and 1/4" Fast-On, plus screw/binding clamp
- Leakage - <100 micro amps
- Insulation System - Class F, 155° C

Agency Certifications

- UL 1446, File # E66312, UL recognized to UL 506 / UL 5085-2, File # E63829
- CSA certified to C22.2 No. 66.1, File # 221070
- Designed to meet VDE 0805 and VDE 0550
- TUV Rheinland certified to IEC EN61558-2-4 and EN61558-2-6, License # R72042497



VA	Mechanical Dimensions						Weight	Slot Size
	L	W	H	ML	MW			
Size	Inches (mm)						lbs (kg)	Inches (mm)
200	3.75 (95.3)	4.30 (109.2)	3.66 (93.1)	3.25 (82.6)	2.80 (71.1)	6.22 (2.82)	0.203 x 0.375 (5.2 x 9.5)	
250	4.12 (104.8)	4.13 (104.9)	3.86 (98.2)	3.62 (92.1)	2.60 (66.1)	6.76 (3.07)	0.203 x 0.375 (5.2 x 9.5)	
300	4.12 (104.8)	4.30 (109.2)	3.86 (98.2)	3.62 (92.1)	2.91 (74.0)	7.80 (3.54)	0.203 x 0.375 (5.2 x 9.5)	
400	4.12 (104.8)	5.04 (128.1)	3.86 (98.2)	3.62 (92.1)	3.50 (89.0)	9.82 (4.46)	0.203 x 0.375 (5.2 x 9.5)	
650	5.25 (133.3)	4.70 (119.4)	4.63 (117.8)	4.50 (114.3)	3.41 (86.7)	14.83 (6.73)	0.281 x 0.563 (7.1 x 14.3)	
900	5.25 (133.3)	5.50 (139.7)	4.63 (117.8)	4.50 (114.3)	4.20 (106.8)	19.84 (9.01)	0.281 x 0.563 (7.1 x 14.3)	

Custom versions available upon request.



Toll Free 866-239-5777 | Tel 516-239-5777 | Fax 516-239-7208
 sales@signaltransformer.com | techhelp@signaltransformer.com

belfuse.com/signal

MULTI-PURPOSE INTERNATIONAL TRANSFORMERS

High Performance with Greater Volumetric Efficiency



Part Number	Secondary	
	Series	Parallel
MPI-200-10	10 VCT @ 20.0 A	5 V @ 40.0 A
MPI-250-10	10 VCT @ 25.0 A	5 V @ 50.0 A
MPI-300-10	10 VCT @ 30.0 A	5 V @ 60.0 A
MPI-400-10	10 VCT @ 40.0 A	5 V @ 80.0 A
MPI-650-10	10 VCT @ 65.0 A	5 V @ 130.0 A
MPI-900-10	10 VCT @ 90.0 A	5 V @ 180.0 A
MPI-200-12	12 VCT @ 16.7 A	6 V @ 33.3 A
MPI-250-12	12 VCT @ 20.8 A	6 V @ 41.7 A
MPI-300-12	12 VCT @ 25.0 A	6 V @ 50.0 A
MPI-400-12	12 VCT @ 33.3 A	6 V @ 66.6 A
MPI-650-12	12 VCT @ 54.2 A	6 V @ 108.4 A
MPI-900-12	12 VCT @ 75.0 A	6 V @ 150.0 A
MPI-200-16	16 VCT @ 12.5 A	8 V @ 25.0 A
MPI-250-16	16 VCT @ 15.6 A	8 V @ 31.2 A
MPI-300-16	16 VCT @ 18.8 A	8 V @ 37.6 A
MPI-400-16	16 VCT @ 25.0 A	8 V @ 50.0 A
MPI-650-16	16 VCT @ 40.6 A	8 V @ 81.2 A
MPI-900-16	16 VCT @ 56.3 A	8 V @ 112.5 A
MPI-200-20	20 VCT @ 10.0 A	10 V @ 20.0 A
MPI-250-20	20 VCT @ 12.5 A	10 V @ 25.0 A
MPI-300-20	20 VCT @ 15.0 A	10 V @ 30.0 A
MPI-400-20	20 VCT @ 20.0 A	10 V @ 40.0 A
MPI-650-20	20 VCT @ 32.5 A	10 V @ 65.0 A
MPI-900-20	20 VCT @ 45.0 A	10 V @ 90.0 A
MPI-200-24	24 VCT @ 8.3 A	12 V @ 16.7 A
MPI-250-24	24 VCT @ 10.4 A	12 V @ 20.8 A
MPI-300-24	24 VCT @ 12.5 A	12 V @ 25.0 A
MPI-400-24	24 VCT @ 16.7 A	12 V @ 33.3 A
MPI-650-24	24 VCT @ 27.1 A	12 V @ 54.2 A
MPI-900-24	24 VCT @ 37.5 A	12 V @ 75.0 A

Part Number	Secondary	
	Series	Parallel
MPI-200-28	28 VCT @ 7.1 A	14 V @ 14.2 A
MPI-250-28	28 VCT @ 8.9 A	14 V @ 17.9 A
MPI-300-28	28 VCT @ 10.7 A	14 V @ 21.4 A
MPI-400-28	28 VCT @ 14.3 A	14 V @ 28.6 A
MPI-650-28	28 VCT @ 23.2 A	14 V @ 46.4 A
MPI-900-28	28 VCT @ 32.1 A	14 V @ 64.2 A
MPI-200-36	36 VCT @ 5.6 A	18 V @ 11.2 A
MPI-250-36	36 VCT @ 6.9 A	18 V @ 13.8 A
MPI-300-36	36 VCT @ 8.3 A	18 V @ 16.7 A
MPI-400-36	36 VCT @ 11.1 A	18 V @ 22.2 A
MPI-650-36	36 VCT @ 18.1 A	18 V @ 36.2 A
MPI-900-36	36 VCT @ 25.0 A	18 V @ 50.0 A
MPI-200-40	40 VCT @ 5.0 A	20 V @ 10.0 A
MPI-250-40	40 VCT @ 6.3 A	20 V @ 12.6 A
MPI-300-40	40 VCT @ 7.5 A	20 V @ 15.0 A
MPI-400-40	40 VCT @ 10.0 A	20 V @ 20.0 A
MPI-650-40	40 VCT @ 16.3 A	20 V @ 32.6 A
MPI-900-40	40 VCT @ 22.5 A	20 V @ 45.0 A
MPI-200-48	48 VCT @ 4.2 A	24 V @ 8.3 A
MPI-250-48	48 VCT @ 5.2 A	24 V @ 10.4 A
MPI-300-48	48 VCT @ 6.3 A	24 V @ 12.6 A
MPI-400-48	48 VCT @ 8.3 A	24 V @ 16.7 A
MPI-650-48	48 VCT @ 13.5 A	24 V @ 27.1 A
MPI-900-48	48 VCT @ 18.8 A	24 V @ 37.5 A
MPI-200-230	230 VCT @ 0.87 A	115 V @ 1.7 A
MPI-250-230	230 VCT @ 1.1 A	115 V @ 2.2 A
MPI-300-230	230 VCT @ 1.3 A	115 V @ 2.6 A
MPI-400-230	230 VCT @ 1.7 A	115 V @ 3.4 A
MPI-650-230	230 VCT @ 2.8 A	115 V @ 5.6 A
MPI-900-230	230 VCT @ 3.9 A	115 V @ 7.8 A

Chassis Mount

Custom versions available upon request.



Toll Free 866-239-5777 | Tel 516-239-5777 | Fax 516-239-7208
 sales@signaltransformer.com | techhelp@signaltransformer.com

belfuse.com/signal

MACHINE TOOL TRANSFORMERS

Solutions for the Heavy Duty Machine Industry



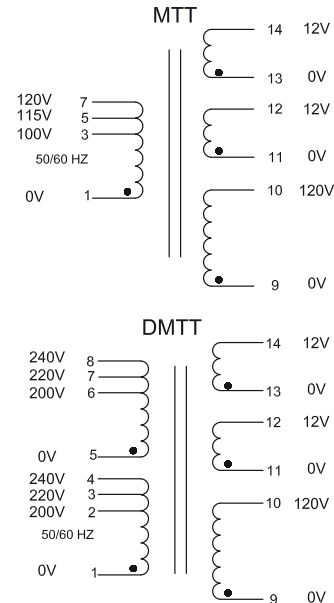
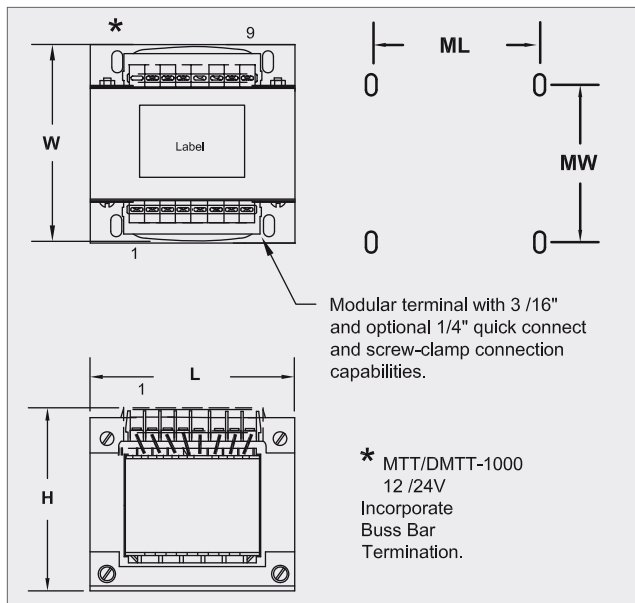
Designed to meet the requirements of commercial and heavy duty machine applications. Concentrically constructed platform provides both double reinforced insulation and volumetric efficiency.

General Specifications

- Power - 300, 650, and 1000 VA ratings
- Dielectric Strength - 4000 Vrms Hipot
- MTT Primaries - tapped single, 100, 115, 120 V, 50/60 Hz
- DMTT Primaries - tapped dual configurations, 200, 220, 240, 400, 420, 440, 460, 480V, 50/60 Hz
- Secondary - 120V and 2 x 12 V
- Touch Safe Terminals (IP20 Type) offer a screw/binding clamp for hard wiring and 3/16" and 1/4" Fast-On connections
- Insulation System - UL recognized Class F, 155° C
- Leakage - <100 micro amps

Agency Certifications

- UL1446 File #E66312
- Compliant with the following domestic and international standards:
 - UL5085-1-2, UL 508, UL 60950, UL 197, UL 1262
 - IEC 60950, IEC 61558-2-4, IEC 61010-1
 - CSA 22.2 #66-1-2
 - VDE 0570, 0805, 0551, 0550 and CE



Part Number	Comb. Output	Safety Low Voltage		Isolated Voltage	Mechanical Dimensions						
		VA max	Series		Parallel	L	W	H	ML	MW	Weight
MTT-300	DMTT-300	300	24 VCT @ 12.5 A	12 V @ 25 A	120 V @ 2.5 A	4.12* (104.8)	5.04* (128.1)	3.86 (98.2)	3.62 (92.1)	3.5 (89.0)	9.82 (4.46)
MTT-650	DMTT-650	650	24 VCT @ 27 A	12 V @ 54 A	120 V @ 5.42 A	5.25 (133.3)	5.5 (139.7)	4.63 (117.8)	4.50 (114.3)	4.2 (106.8)	19.84 (9.01)
MTT-1000	DMTT-1000	1000	24 VCT @ 41.7 A	12 V @ 83.3 A	120 V @ 8.33 A	7.06 (179.3)	5.1 (129.6)	6.1 (154.9)	5.5 (139.7)	3.69 (93.7)	33.5 (15.2)

* DMTT-300 on primary Dim L = 5.26 (133.6), D = 5.38 (136.6)

Custom versions available upon request.



Toll Free 866-239-5777 | Tel 516-239-5777 | Fax 516-239-7208
sales@signaltransformer.com | techhelp@signaltransformer.com

belfuse.com/signal

TOROIDAL POWER TRANSFORMERS

Power in the Round 100 VA to 2000 VA



The STP series of transformers offer VA power ranges from 100 VA to 2000 VA inclusive. These standard transformer products share common lead lengths, colors, mounting configurations and more. The STP series are designed to comply with international safety standards.

Benefits

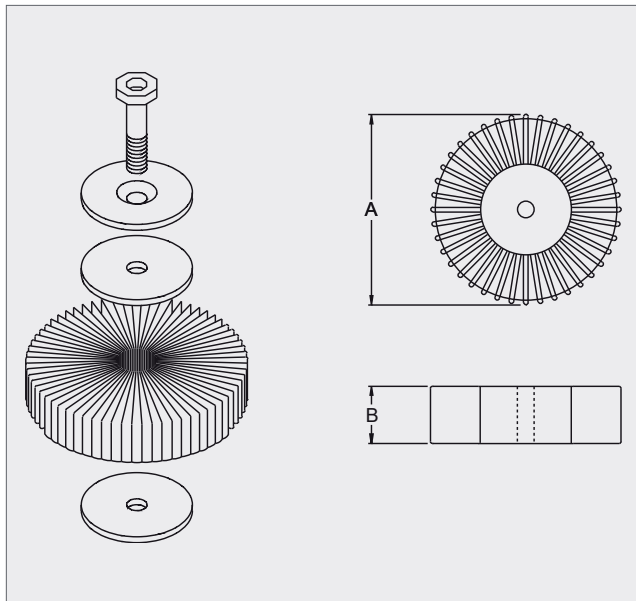
- Minimal core losses
- Low profile
- Power/mass efficient
- Reduced EMI
- Low dB
- RoHS compliant

General Specifications

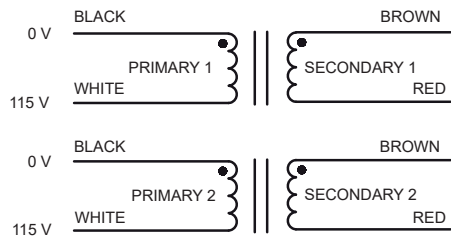
- Power - 100 VA to 2000 VA
- Dual Primaries - 2 x 115 V / 50-400 Hz
- Dual Secondaries - Standard outputs 2 x 115 V with multiple output configurations available
- Connections: 12.0" color-coded stranded leads
- Supplied with mounting hardware set; screw, nut, top plate and 2 rubber pads
- Insulation System - UL 1446 Class B, 130° C

Agency Certifications

- Component certifications for North American and IEC/EN standards available on request
- UL recognized to UL 506 / UL 5085, File # E63829



Part Number ¹	Power Range	Dimensions ² Inches (mm)		Weight	Recomm. Fastener Size
	VA	A	B	lbs (kg)	
STP-0100-2115	100	4.2 (105)	1.4 (35)	2.86 (1.3)	#8
STP-0150-2115	150	4.6 (116)	1.7 (42)	4.40 (2.0)	#10
STP-0200-2115	200	4.8 (120)	1.9 (48)	5.30 (2.4)	1/4"
STP-0250-2115	250	5.0 (127)	2.0 (50)	6.40 (2.9)	1/4"
STP-0300-2115	300	5.1 (128)	2.2 (55)	7.0 (3.2)	1/4"
STP-0400-2115	400	5.3 (133)	2.8 (70)	10.3 (4.7)	5/16"
STP-0500-2115	500	5.6 (140)	2.9 (72)	12.1 (5.5)	3/8"
STP-0600-2115	600	6.1 (155)	2.9 (72)	14.8 (6.7)	3/8"
STP-0800-2115	800	6.7 (170)	2.9 (72)	18.0 (8.2)	3/8"
STP-1000-2115	1000	7.1 (180)	3.1 (78)	22.1 (10.0)	3/8"
STP-1200-2115	1200	7.8 (198)	3.2 (80)	29.5 (13.4)	3/8"
STP-1600-2115	1600	8.3 (210)	3.4 (86)	35.3 (16.0)	1/2"
STP-2000-2115	2000	9.2 (232)	3.6 (90)	44.1 (20.0)	1/2"



1. STP transformers having dual secondary windings may be ordered by specifying the power range, output voltage and current requirements. (A 250VA transformer with two 24V secondary windings = STP-0250-2024. A 1200 VA transformer with two 120V windings = STP-1200-2120.) Where dissimilar or multiple output configurations are required, please contact Customer Service for additional information. In all cases, a serialized part number will be assigned to the final product label.

2. The dimension profiles depicted for each VA range are for standard transformers with 2 x 115V output configurations. Dimensions of transformers with multiple outputs, dissimilar outputs or ELV outputs may vary.

Custom versions available upon request.



Toll Free 866-239-5777 | Tel 516-239-5777 | Fax 516-239-7208
sales@signaltransformer.com | techhelp@signaltransformer.com

belfuse.com/signal

MORE-4-LESS™ INTERNATIONAL TRANSFORMERS

Greater Performance in Less Space



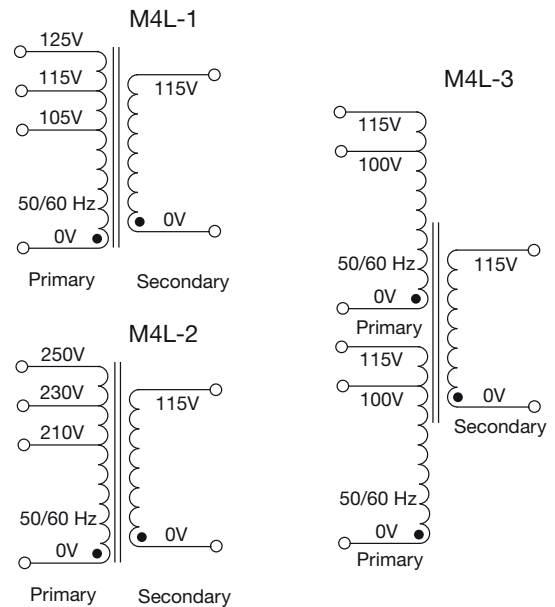
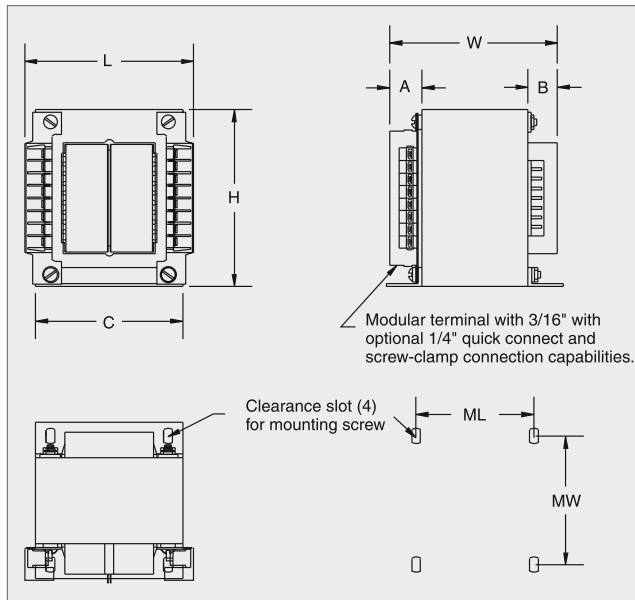
Boasting superior isolation, the M4L series of transformers provide more than 12 mm creepage distance between the input and output windings. Constructed of materials to support up to 60°C ambient environments.

General Specifications

- Power - 300, 450, 600 and 1000 VA ratings
- Dielectric Strength - 4.0 kV
- Available Input Voltage - 100, 105, 115, 125, 200, 210, 215, 230, 250 V, 50/60 Hz
- Output voltage - 115 V
- Touch-Safe terminals (IP20 type) offer a screw/binding clamp for hard wiring and 3/16" & 1/4" Fast-On connections
- Insulation System - Class F (155°C) UL 1446 File # E66312
- Leakage Current - agency tested @ < 30 micro Amps
- Flame Rating - UL 94-V0

Agency Certifications

- UL Standards - UL 5085-1, UL 5085-2, UL 60601-1, UL 60950-1, UL 1097, UL 2097
- Meets - UL 864, UL 913, UL 916, UL 924, UL 1012, UL 1069 & UL 1238
- CSA Standards - 22.2 #66.1, File # 221070
- IEC / EN Standards - IEC / EN 60950, (VDE License 1447)
- CE Compliance - VDE Declaration of Conformity 73/23/EEC



Part Number			VA	Sec RMS	L	W	H	A	B	C	ML	MW	Mounting Screw	Weight
			Size	Rating	Inches (mm)									
M4L-1-3	M4L-2-3	M4L-3-3	300	115 V @ 2.6 A	4.20 (106.68)	4.08 (103.51)	3.75 (95.3)	1.33 (33.8)	0.62 (15.9)	3.12 (79.4)	2.50 (63.5)	3.12 (79.4)	#10	7.0 (3.18)
M4L-1-4	M4L-2-4	M4L-3-4	450	115 V @ 3.9 A	4.46 (113.28)	4.33 (110)	4.50 (114.3)	1.33 (33.8)	0.75 (19.1)	3.75 (95.3)	3.00 (76.2)	3.25 (82.6)	#10	11.0 (5)
M4L-1-6	M4L-2-6	M4L-3-6	600	115 V @ 5.2 A	4.46 (113.28)	5.08 (129.03)	4.50 (114.3)	1.33 (33.8)	0.75 (19.1)	3.75 (95.3)	3.00 (76.2)	4.06 (103.2)	#10	14.3 (6.49)
M4L-1-10	M4L-2-10	M4L-3-10	1000	115 V @ 8.7 A	4.89 (124.20)	5.70 (144.78)	5.25 (133.4)	1.33 (33.8)	0.87 (22.2)	4.37 (111.1)	3.50 (88.9)	4.68 (119.1)	1/4	22.0 (10.0)

Custom versions available upon request.



Toll Free 866-239-5777 | Tel 516-239-5777 | Fax 516-239-7208
sales@signaltransformer.com | techhelp@signaltransformer.com

belfuse.com/signal

SLT - LIGHTING TRANSFORMER

Isolated 277 V / 120 V Step down Transformers



Ideal for power task lighting and service receptacles. Allows installers to derive a fully isolated 120 V source from a 277 V line.

General Specifications

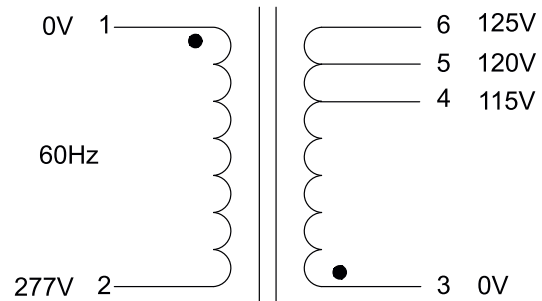
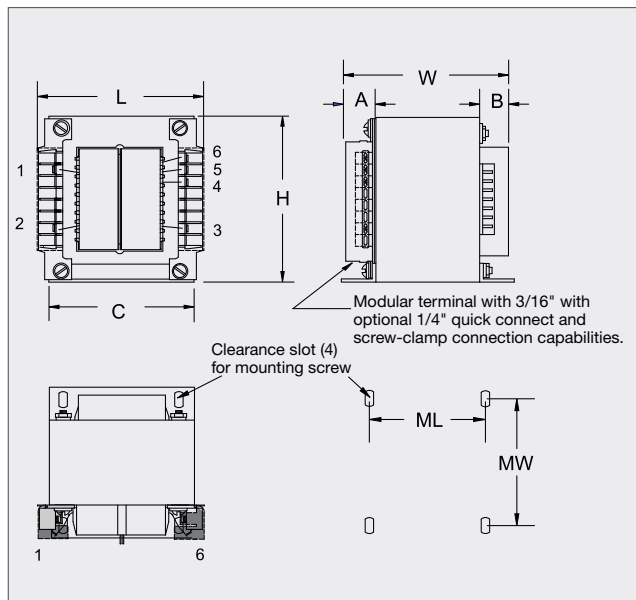
- Power - 300, 450, 600, and 1000 VA ratings
- Dielectric Strength - 4000 V
- Primary: 277 V, 60 Hz
- Secondary: 120 V with taps at 115 V and 125 V for high/low line adjustment
- Insulation System - UL 1446 Class F (155° C)
- Leakage Current - <30 uA
- Touch Safe terminals (IP20 type) offer a screw/binding clamp for hard wiring and 3/16" and 1/4" Fast-On connections
- Flame Rating - UL 94-V0

Agency Certifications

- UL 1446 File #E66312
- Compliant with the following domestic and international standards:
 - UL5085-1-2, UL 506, UL 60950, UL 197, UL 1262
 - IEC 60950, IEC 61558-2-4, IEC 61010-1
 - CSA 22.2 #66-1-2
 - VDE 0570, 0605, 0551, 0550
 - CE



File #E66312



For lower voltage applications contact:
techhelp@signaltransformers.com

Part Number	VA	Sec RMS	L	W	H	A	B	C	ML	MW	Mounting Screw	Weight
	Size	Rating										lbs (kg)
SLT-300	300	120 V @ 2.5 A	4.20 (106.68)	4.08 (103.51)	3.75 (95.3)	1.33 (33.8)	0.62 (15.9)	3.12 (79.4)	2.50 (63.5)	3.12 (79.4)	#10	7.0 (3.18)
SLT-450	450	120 V @ 3.8 A	4.46 (113.28)	4.33 (110)	4.50 (114.3)	1.33 (33.8)	0.75 (19.1)	3.75 (95.3)	3.00 (76.2)	3.25 (82.6)	#10	11.0 (5)
SLT-600	600	120 V @ 5.0 A	4.46 (113.28)	5.08 (129.03)	4.50 (114.3)	1.33 (33.8)	0.75 (19.1)	3.75 (95.3)	3.00 (76.2)	4.06 (103.2)	#10	14.3 (6.49)
SLT-1000	1000	120 V @ 8.33 A	4.89 (124.20)	5.70 (144.78)	5.25 (133.4)	1.33 (33.8)	0.87 (22.2)	4.37 (111.1)	3.50 (88.9)	4.68 (119.1)	1/4"	22.0 (10.0)

Custom versions available upon request.



Toll Free 866-239-5777 | Tel 516-239-5777 | Fax 516-239-7208
sales@signaltransformer.com | techhelp@signaltransformer.com

belfuse.com/signal

ALL-4-ONE™ INTERNATIONAL TRANSFORMERS

International Standards at Lower Cost and Better Performance



Designed to provide the high isolation, creepage and clearance necessary to comply with international safety standards.

General Specifications

- Power - 25 VA to 175 VA
- Dielectric Strength - 4000 Vrms Hipot
- Primaries - Dual primaries (115/230 V - 50/60 Hz)
- Dual Secondaries - Series or parallel
- Terminals - Solder lug / quick connect type terminals
- Leakage - Current meets UL 60601-1, IEC/EN 60601-1
- Insulation - Class F (155° C)
- Flammability Rating - Bobbin and shroud material meet UL 94-V0

Agency Certifications

- UL 1446 UL File # E66312
- UL recognized to UL 506 / UL 5085-2, File # E63829
- CSA certified to C22.2 No 66.1, File # 221070
- VDE certified to VDE 0805 / EN 60950, File # 1448



Part Number	VA	Secondary RMS Rating	
	Size	Series	Parallel
A41-25-10	25	10.0 VCT @ 2.5 A	5.0 V @ 5.0 A
A41-43-10	43	10.0 VCT @ 4.3 A	5.0 V @ 8.6 A
A41-80-10	80	10.0 VCT @ 8.0 A	5.0 V @ 16.0 A
A41-130-10	130	10.0 VCT @ 13.0 A	5.0 V @ 26.0 A
A41-175-10	175	10.0 VCT @ 17.5 A	5.0 V @ 35.0 A
A41-25-12	25	12.6 VCT @ 2.0 A	6.3 V @ 4.0 A
A41-43-12	43	12.6 VCT @ 3.4 A	6.3 V @ 6.8 A
A41-80-12	80	12.6 VCT @ 6.3 A	6.3 V @ 12.6 A
A41-130-12	130	12.6 VCT @ 10.3 A	6.3 V @ 20.6 A
A41-175-12	175	12.6 VCT @ 14.0 A	6.3 V @ 28.0 A
A41-25-16	25	16.0 VCT @ 1.6 A	8.0 V @ 3.2 A
A41-43-16	43	16.0 VCT @ 2.7 A	8.0 V @ 5.4 A
A41-80-16	80	16.0 VCT @ 5.0 A	8.0 V @ 10.0 A
A41-130-16	130	16.0 VCT @ 8.1 A	8.0 V @ 16.2 A
A41-175-16	175	16.0 VCT @ 11.0 A	8.0 V @ 22.0 A
A41-25-20	25	20.0 VCT @ 1.25 A	10 V @ 2.5 A
A41-43-20	43	20.0 VCT @ 2.2 A	10 V @ 4.4 A
A41-80-20	80	20.0 VCT @ 4.0 A	10 V @ 8.0 A
A41-130-20	130	20.0 VCT @ 6.5A	10 V @ 13.0 A
A41-175-20	175	20.0 VCT @ 8.8A	10 V @ 17.6 A

Part Number	VA	Secondary RMS Rating	
	Size	Series	Parallel
A41-25-24	25	24.0 VCT @ 1.0 A	12.0 V @ 2.0 A
A41-43-24	43	24.0 VCT @ 1.8 A	12.0 V @ 3.6 A
A41-80-24	80	24.0 VCT @ 3.3 A	12.0 V @ 6.6 A
A41-130-24	130	24.0 VCT @ 5.4 A	12.0 V @ 10.8 A
A41-175-24	175	24.0 VCT @ 7.3 A	12.0 V @ 14.6 A
A41-25-28	25	28.0 VCT @ 0.9 A	14.0 V @ 1.86 A
A41-43-28	43	28.0 VCT @ 1.5 A	14.0 V @ 3.0 A
A41-80-28	80	28.0 VCT @ 2.8 A	14.0 V @ 5.6 A
A41-130-28	130	28.0 VCT @ 4.6 A	14.0 V @ 9.2 A
A41-175-28	175	28.0 VCT @ 6.25 A	14.0 V @ 12.5 A
A41-25-36	25	36.0 VCT @ 0.7 A	18.0 V @ 1.4 A
A41-43-36	43	36.0 VCT @ 1.2 A	18.0 V @ 2.4 A
A41-80-36	80	36.0 VCT @ 2.2 A	18.0 V @ 4.4 A
A41-130-36	130	36.0 VCT @ 3.6 A	18.0 V @ 7.2 A
A41-175-36	175	36.0 VCT @ 4.8 A	18.0 V @ 9.6 A
A41-25-230	25	230 VCT @ 0.11 A	115 V @ 0.22 A
A41-43-230	43	230 VCT @ 0.19 A	115 V @ 0.38 A
A41-80-230	80	230 VCT @ 0.35 A	115 V @ 0.7 A
A41-130-230	130	230 VCT @ 0.57 A	115 V @ 1.14 A
A41-175-230	175	230 VCT @ 0.76 A	115 V @ 1.52 A

Custom versions available upon request.

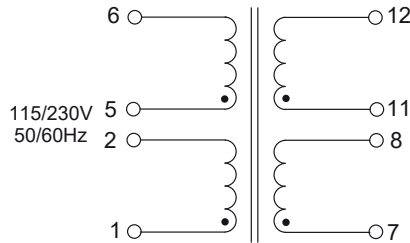


Toll Free 866-239-5777 | Tel 516-239-5777 | Fax 516-239-7208
sales@signaltransformer.com | techhelp@signaltransformer.com

belfuse.com/signal

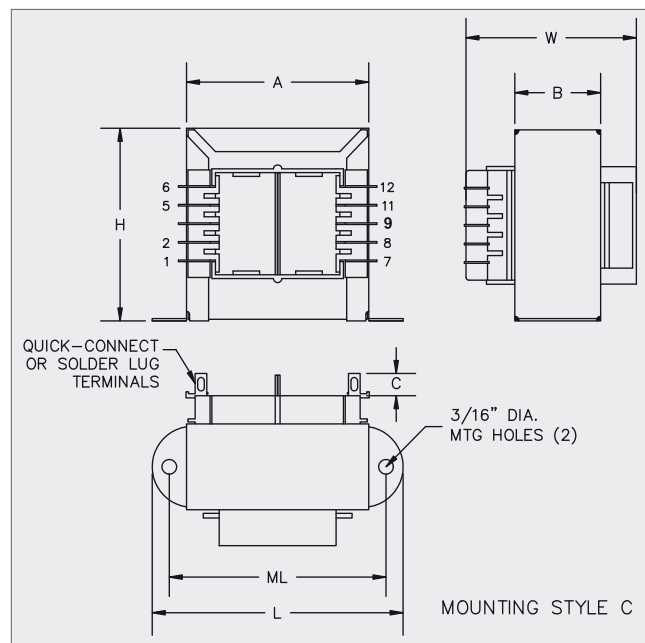
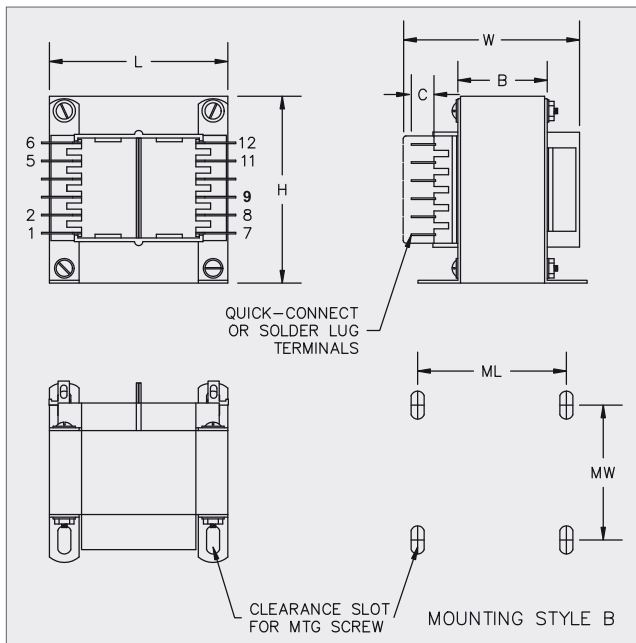
ALL-4-ONE™ INTERNATIONAL TRANSFORMERS

International Standards at Lower Cost and Better Performance



• Indicates like polarity

Note: VDE certified A41 Series transformers with standard length and color lead wires are readily available. See website for our A41-L product series.



VA	Mechanical Dimensions						Terminals	Mounting Style	Mounting Dimensions		Mounting Screw	Weight lbs (kg)
	L	W	H	A	B	C			ML	MW		
Size	Inches (mm)						Inches (mm)					
25	2.81 (71.4)	2.14 (54.4)	2.31 (58.7)	2.00 (50.8)	1.12 (28.6)	0.31 (7.9)	0.187 (4.75)	C	2.37 (60.3)	—	#6	1.25 (0.57)
43	3.12 (79.4)	2.14 (54.4)	2.68 (68.2)	2.25 (57.2)	1.12 (28.6)	0.31 (7.9)	0.187 (4.75)	C	2.81 (71.4)	—	#6	1.6 (0.73)
80	2.50 (63.5)	2.52 (64.3)	3.06 (77.7)	—	1.37 (35.0)	0.31 (7.9)	0.187 (4.75)	B	2.00 (50.8)	2.18 (55.5)	#6	2.8 (1.27)
130	2.81 (71.4)	3.00 (76.2)	3.37 (85.7)	—	1.62 (41.3)	0.37 (9.5)	0.25 (6.35)	B	2.25 (57.2)	2.50 (63.5)	#8	4.1 (1.86)
175	3.12 (79.4)	3.14 (79.7)	3.75 (95.3)	—	1.62 (41.3)	0.37 (9.5)	0.25 (6.35)	B	2.50 (63.5)	2.50 (63.5)	#8	5.5 (2.49)

Custom versions available upon request.



Toll Free 866-239-5777 | Tel 516-239-5777 | Fax 516-239-7208
sales@signaltransformer.com | techhelp@signaltransformer.com

belfuse.com/signal

ALL-4-ONE™ INTERNATIONAL TRANSFORMERS

International Standards at Lower Cost and Better Performance



Designed to provide the high isolation, creepage and clearance necessary to comply with international safety standards.

General Specifications

- Power - 25 VA to 175 VA
- Dielectric Strength - 4000 Vrms Hipot
- Primaries - Dual primaries (115/230 V - 50/60 Hz)
- Dual Secondaries - Series or parallel
- Terminals - Solder lug / quick connect type terminals
- Leakage - Current meets UL 60601-1, IEC/EN 60601-1
- Insulation - Class F (155° C)
- Flammability Rating - Bobbin and shroud material meet UL 94-V0

Agency Certifications

- UL 1446 File # E66312
- UL recognized to UL 506 / UL 5085-2, File # E63829
- CSA certified to C22.2 No 66.1, File # 221070
- VDE certified to VDE 0805 / EN 60950, File # 1448



Lead Wires

- Hook up lead wire style UL1015, CSA TEW
- Rated 600 V -40° to +105° C
- Passes UL VW-1 (flame test)
- All primary lead wires are 18 AWG UL 1015
- All lead wires are 12" in length

Part Number	VA	Secondary RMS Rating		Lead Wire Gauge
	Size	Series	Parallel	Secondary
A41-25-10L	25	10.0 VCT @ 2.5 A	5.0 V @ 5.0 A	18 AWG
A41-43-10L	43	10.0 VCT @ 4.3 A	5.0 V @ 8.6 A	18 AWG
A41-80-10L	80	10.0 VCT @ 8.0 A	5.0 V @ 16.0 A	18 AWG
A41-130-10L	130	10.0 VCT @ 13.0 A	5.0 V @ 26.0 A	16 AWG
A41-175-10L	175	10.0 VCT @ 17.5 A	5.0 V @ 35.0 A	16 AWG
A41-25-12L	25	12.6 VCT @ 2.0 A	6.3 V @ 4.0 A	18 AWG
A41-43-12L	43	12.6 VCT @ 3.4 A	6.3 V @ 6.8 A	18 AWG
A41-80-12L	80	12.6 VCT @ 6.3 A	6.3 V @ 12.6 A	18 AWG
A41-130-12L	130	12.6 VCT @ 10.3 A	6.3 V @ 20.6 A	16 AWG
A41-175-12L	175	12.6 VCT @ 14.0 A	6.3 V @ 28.0 A	16 AWG
A41-25-16L	25	16.0 VCT @ 1.6 A	8.0 V @ 3.2 A	18 AWG
A41-43-16L	43	16.0 VCT @ 2.7 A	8.0 V @ 5.4 A	18 AWG
A41-80-16L	80	16.0 VCT @ 5.0 A	8.0 V @ 10.0 A	18 AWG
A41-130-16L	130	16.0 VCT @ 8.1 A	8.0 V @ 16.2 A	16 AWG
A41-175-16L	175	16.0 VCT @ 11.0 A	8.0 V @ 22.0 A	16 AWG
A41-25-20L	25	20.0 VCT @ 1.25 A	10 V @ 2.5 A	18 AWG
A41-43-20L	43	20.0 VCT @ 2.2 A	10 V @ 4.4 A	18 AWG
A41-80-20L	80	20.0 VCT @ 4.0 A	10 V @ 8.0 A	18 AWG
A41-130-20L	130	20.0 VCT @ 6.5 A	10 V @ 13.0 A	16 AWG
A41-175-20L	175	20.0 VCT @ 8.8 A	10 V @ 17.6 A	16 AWG

Part Number	VA	Secondary RMS Rating		Lead Wire Gauge
	Size	Series	Parallel	Secondary
A41-25-24L	25	24 VCT @ 1.0 A	12 V @ 2.0 A	18 AWG
A41-43-24L	43	24 VCT @ 1.8 A	12 V @ 3.6 A	18 AWG
A41-80-24L	80	24 VCT @ 3.3 A	12 V @ 6.6 A	18 AWG
A41-130-24L	130	24 VCT @ 5.4 A	12 V @ 10.8 A	16 AWG
A41-175-24L	175	24 VCT @ 7.3 A	12 V @ 14.6 A	16 AWG
A41-25-28L	25	28 VCT @ 0.9 A	14 V @ 1.86 A	18 AWG
A41-43-28L	43	28 VCT @ 1.5 A	14 V @ 3.0 A	18 AWG
A41-80-28L	80	28 VCT @ 2.8 A	14 V @ 5.6 A	18 AWG
A41-130-28L	130	28 VCT @ 4.6 A	14 V @ 9.2 A	16 AWG
A41-175-28L	175	28 VCT @ 6.25 A	14 V @ 12.5 A	16 AWG
A41-25-36L	25	36 VCT @ 0.7 A	18 V @ 1.4 A	18 AWG
A41-43-36L	43	36 VCT @ 1.2 A	18 V @ 2.4 A	18 AWG
A41-80-36L	80	36 VCT @ 2.2 A	18 V @ 4.4 A	18 AWG
A41-130-36L	130	36 VCT @ 3.6 A	18 V @ 7.2 A	18 AWG
A41-175-36L	175	36 VCT @ 4.8 A	18 V @ 9.6 A	16 AWG
A41-25-230L	25	230 VCT @ 0.11 A	115 V @ 0.22 A	18 AWG
A41-43-230L	43	230 VCT @ 0.19 A	115 V @ 0.38 A	18 AWG
A41-80-230L	80	230 VCT @ 0.35 A	115 V @ 0.7 A	18 AWG
A41-130-230L	130	230 VCT @ 0.57 A	115 V @ 1.14 A	18 AWG
A41-175-230L	175	230 VCT @ 0.76 A	115 V @ 1.52 A	18 AWG

Custom versions available upon request.

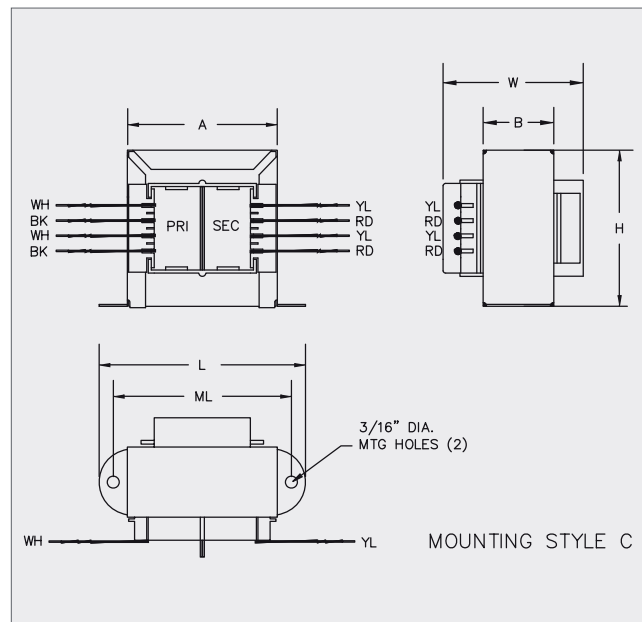
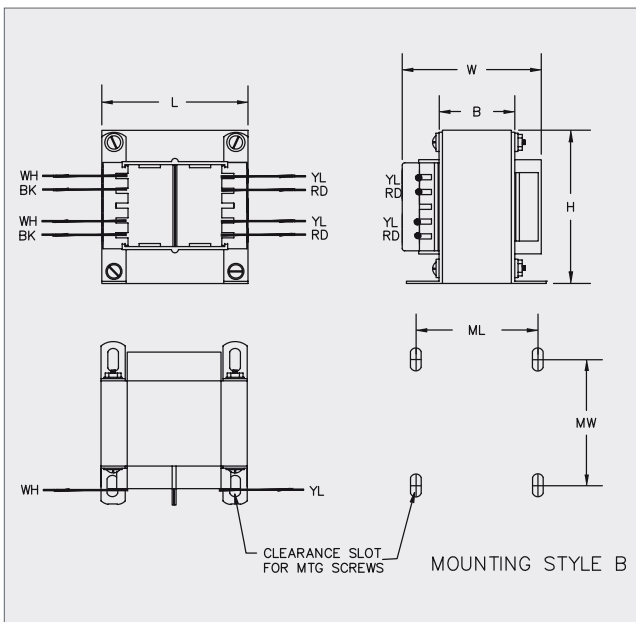
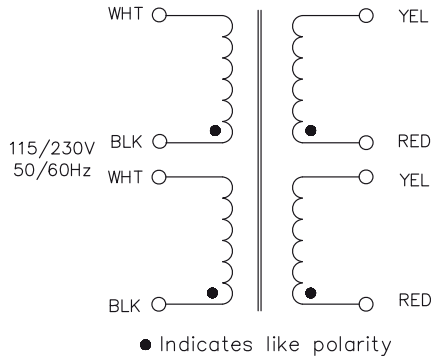


Toll Free 866-239-5777 | Tel 516-239-5777 | Fax 516-239-7208
sales@signaltransformer.com | techhelp@signaltransformer.com

belfuse.com/signal

ALL-4-ONE™ INTERNATIONAL TRANSFORMERS

International Standards at Lower Cost and Better Performance



VA	Mechanical Dimensions					Lead Wire Length Standard	Mounting Style	Mounting Dimensions		Mounting Screw	Weight lbs (kg)
	L	W	H	A	B			ML	MW		
Size	Inches (mm)					Inches (mm)					
25	2.81 (71.4)	2.14 (54.4)	2.31 (58.7)	2.00 (50.8)	1.12 (28.6)	12.0 (304.8)	C	2.37 (60.3)	—	#6	1.25 (0.57)
43	3.12 (79.4)	2.14 (54.4)	2.68 (68.2)	2.25 (57.2)	1.12 (28.6)	12.0 (304.8)	C	2.81 (71.4)	—	#6	1.6 (0.73)
80	2.50 (63.5)	2.52 (64.3)	3.06 (77.7)	—	1.37 (35.0)	12.0 (304.8)	B	2.00 (50.8)	2.18 (55.5)	#6	2.8 (1.27)
130	2.81 (71.4)	3.00 (76.2)	3.37 (85.7)	—	1.62 (41.3)	12.0 (304.8)	B	2.25 (57.2)	2.50 (63.5)	#8	4.1 (1.86)
175	3.12 (79.4)	3.14 (79.7)	3.75 (95.3)	—	1.62 (41.3)	12.0 (304.8)	B	2.50 (63.5)	2.50 (63.5)	#8	5.5 (2.49)

Custom versions available upon request.



Toll Free 866-239-5777 | Tel 516-239-5777 | Fax 516-239-7208
sales@signaltransformer.com | techhelp@signaltransformer.com

belfuse.com/signal

ALL-4-ONE™ INTERNATIONAL TRIPLE OUTPUT TRANSFORMERS

Chassis Mount

For 5 VDC and ±12 VDC or ±15 VDC Regulated Power Supplies
Requiring International Safety Certification



Triple output transformers with chassis mount capability plus all of the performance features of our split bobbin A41 series.

General Specifications

- Power - 25 VA to 80 VA
- Dielectric Strength - 4000 Vrms Hipot
- Primaries - Dual primaries (115/230 V - 50/60 Hz)
- Secondaries - Dual complementary outputs (5 VDC with ±12 VDC or 5 VDC with ±15 VDC)
- Terminals - Solder lug / quick connect type terminals
- Leakage - Current meets UL 60601-1, IEC/EN 60601-1
- Insulation - Class F (155° C)
- Flammability Rating - Bobbin and shroud material meet UL 94-V0

Agency Certifications

- UL 1446 UL File # E66312
- UL recognized to UL 506 / UL 5085-2, File # E63829
- CSA certified to C22.2 No. 66.1, File # 221070
- VDE certified to VDE 0805 / EN 60950 (File # 1448)



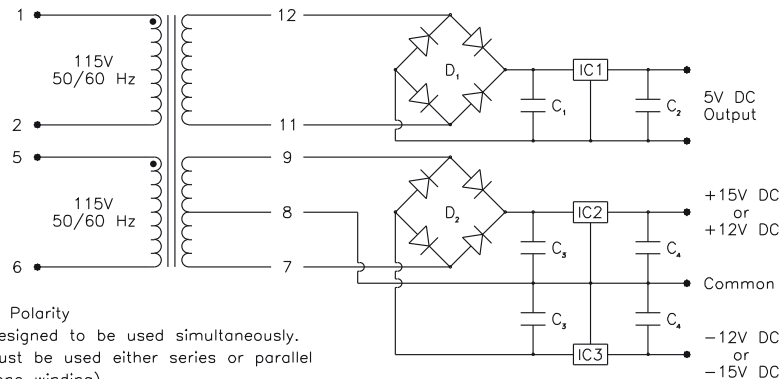
Part Number	VA	DC Output		Suggested Components (C ₂ and C ₄ See Note 1)						
	Size	Regulator I	Regulator II	C ₁	C ₃	IC1 ¹	IC2 ²	IC3 ³	D1 ⁴	D2 ⁴
A41-25-512	25	5 V @ 1.25 A	±12 V @ 150 mA	4.1 KMFD @ 15 VDC	600 MFD @ 50 VDC	LM-323K-5	LM-340K-12	LM-320K-12	PE20	PF20
A41-25-515	25	5 V @ 1.25 A	±15 V @ 130 mA			LM-323K-5	LM-340K-15	LM-320K-15	PE20	PF20
A41-43-512	43	5 V @ 2 A	±12 V @ 300 mA	8 KMFD @ 15 VDC	1.1 KMFD @ 50 VDC	LM-323K-5	LM-340K-12	LM-320K-12	PE20	PF20
A41-43-515	43	5 V @ 2 A	±15 V @ 250 mA			LM-323K-5	LM-340K-15	LM-320K-15	PE20	PF20
A41-80-512	80	5 V @ 3.5 A	±12 V @ 600 mA	10 KMFD @ 15 VDC	2.1 KMFD @ 50 VDC	LM-338 ²	LM-340K-12	LM-320K-12	PP20	PF20
A41-80-515	80	5 V @ 3.5 A	±15 V @ 500 mA			LM-338 ²	LM-340K-15	LM-320K-15	PP20	PF20

Note 1: Output capacitors C₂ and C₄ are required to stabilize regulators. Values can be 1 MFD min. tantalum or 10 MFD min. electrolytic, 20 V min.

Note 2: LM-338 is an adjustable regulator and MFR's specifications (National Semiconductor) should be consulted for values of external components.

Note 3: All IC's are National Semiconductor types.

Note 4: All bridges are EDI types.



• Indicates Like Polarity
Primaries are designed to be used simultaneously.
That is, they must be used either series or parallel connected (as one winding).

Custom versions available upon request.

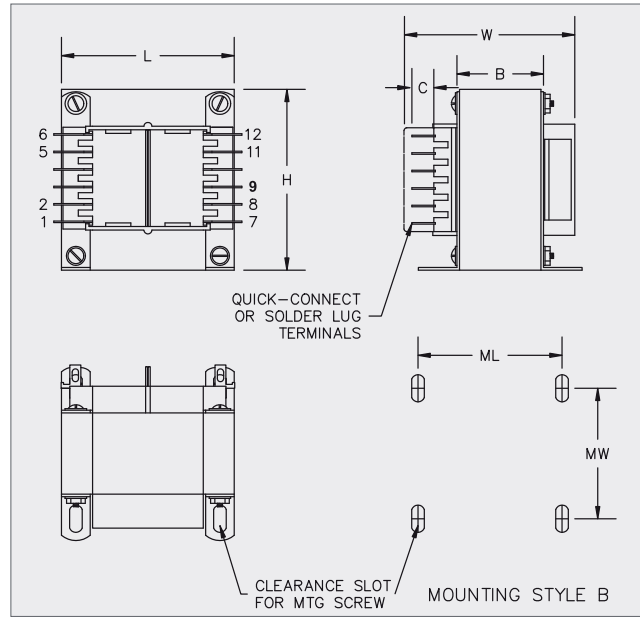
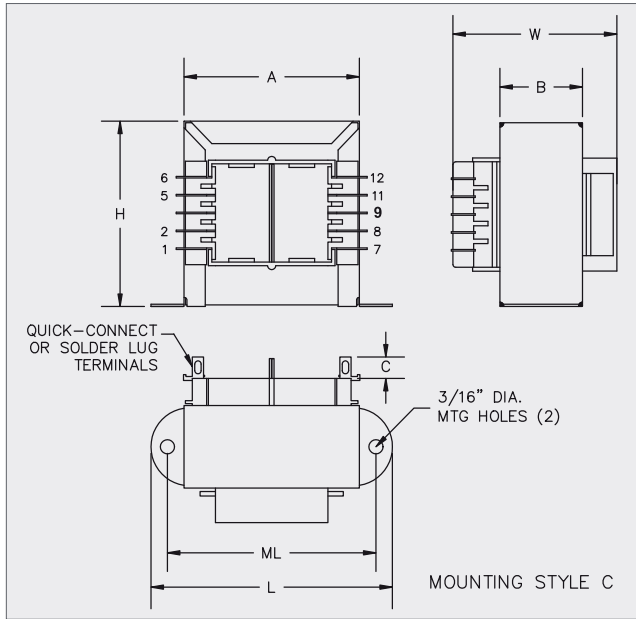


Toll Free 866-239-5777 | Tel 516-239-5777 | Fax 516-239-7208
sales@signaltransformer.com | techhelp@signaltransformer.com

belfuse.com/signal

ALL-4-ONE™ INTERNATIONAL TRIPLE OUTPUT TRANSFORMERS

For 5 VDC and ±12 VDC or ±15 VDC Regulated Power Supplies
Requiring International Safety Certification



VA	Mechanical Dimensions						Terminals	Mounting Style	Mounting Dimensions		Mounting Screw	Weight
	L	W	H	A	B	C			ML	MW		
Size	Inches (mm)						Inches (mm)					lbs (kg)
25	2.81 (71.4)	2.14 (54.4)	2.31 (58.7)	2.00 (50.8)	1.12 (28.6)	0.31 (7.9)	0.18 (4.75)	C	2.37 (60.3)	—	#6	1.25 (0.57)
43	3.12 (79.4)	2.14 (54.4)	2.68 (68.2)	2.25 (57.2)	1.12 (28.6)	0.31 (7.9)	0.18 (4.75)	C	2.81 (71.4)	—	#6	1.6 (0.73)
80	2.50 (63.5)	2.53 (64.3)	3.06 (77.7)	—	1.37 (35.0)	0.31 (7.9)	0.18 (4.75)	B	2.00 (50.8)	2.18 (55.5)	#6	2.8 (1.27)

Note: VDE certified A41 Series transformers with standard length and color lead wires are readily available. Contact Customer Service for more information.

Custom versions available upon request.

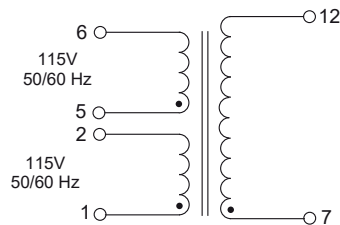


Toll Free 866-239-5777 | Tel 516-239-5777 | Fax 516-239-7208
sales@signaltransformer.com | techhelp@signaltransformer.com

belfuse.com/signal

CLASS 2 TRANSFORMERS

Inherently or Non-Inherently Limited



• Indicates like polarity

Note: Primaries are designed to be used simultaneously. That is, they must be used either series or parallel connected (as one winding).

Signal's CL2 transformers are available in printed circuit and chassis mount versions. They are supplied as inherently or non-inherently limited units that are UL 1585 / UL 5085 recognized.

General Specifications

- Power - 25 VA to 80 VA
- Dielectric Strength - 4000 Vrms Hipot
- Primaries - Dual primaries, 115/230 V, 50/60 Hz,
- Secondaries - Single secondary
- Class 2 Rating - Inherently or non-inherently limited (secondary fuse requirements below)
- Electrostatic Shield - Not necessary, split or dual bobbin construction
- Terminals - Solder lug/quick connect type terminals
- Insulation System - Class F insulation, 155° C
- Flammability Rating - Bobbin and shroud material meet UL 94V0

Agency Certifications

- UL recognized to UL 1585 / UL 5085-3, File # E116583
- CSA certified to C22.2 #66.1

Part Number	Secondary RMS Rating	Secondary Fuse Required
CL2-25-12	12 V @ 2.10 A	2.5 A*
CL2-25-24	24 V @ 1.05 A	1.5 A*
CL2-40-12	12 V @ 3.33 A	4.0 A*
CL2-40-24	24 V @ 1.66 A	2.0 A*
CL2-80-24	24 V @ 3.33 A	3.5 A*

* Non-inherently limited
Maximum secondary fuse value specified. All primaries are 115/230 V, 50/60 Hz.

Custom versions available upon request.

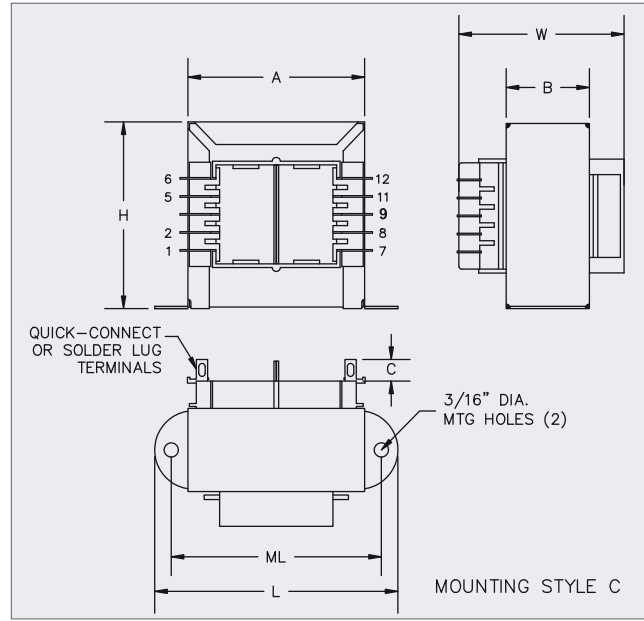
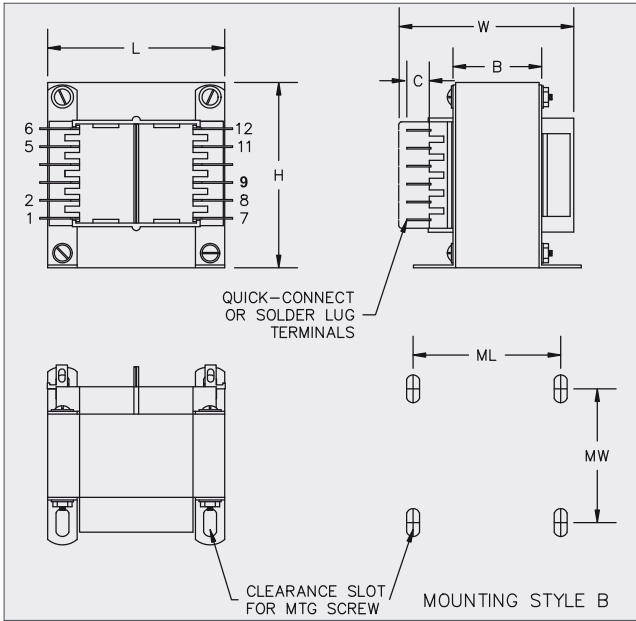


Toll Free 866-239-5777 | Tel 516-239-5777 | Fax 516-239-7208
sales@signaltransformer.com | techhelp@signaltransformer.com

belfuse.com/signal

CLASS 2 TRANSFORMERS

Inherently or Non-Inherently Limited



VA	Mechanical Dimensions						Terminals	Mounting Style	Mounting Dimensions		Mounting Screw	Weight
	L	W	H	A	B	C			ML	MW		
Size	Inches (mm)						Inches (mm)				lbs (kg)	
25	2.81 (71.4)	2.14 (54.4)	2.31 (58.7)	2.00 (50.8)	1.12 (28.6)	0.31 (7.9)	0.187 (4.75)	C	2.37 (60.3)	—	#6	1.25 (0.57)
43	3.12 (79.4)	2.14 (54.4)	2.68 (68.2)	2.25 (57.2)	1.12 (28.6)	0.31 (7.9)	0.187 (4.75)	C	2.81 (71.4)	—	#6	1.6 (0.73)
80	2.50 (63.5)	2.52 (64.3)	3.06 (77.7)	—	1.37 (35.0)	0.31 (7.9)	0.187 (4.75)	B	2.00 (50.8)	2.18 (55.5)	#6	2.8 (1.27)

Custom versions available upon request.



Toll Free 866-239-5777 | Tel 516-239-5777 | Fax 516-239-7208
sales@signaltransformer.com | techhelp@signaltransformer.com

belfuse.com/signal

TWO-4-ONE™ POWER TRANSFORMERS

Split Bobbin Construction Providing Superior Isolation



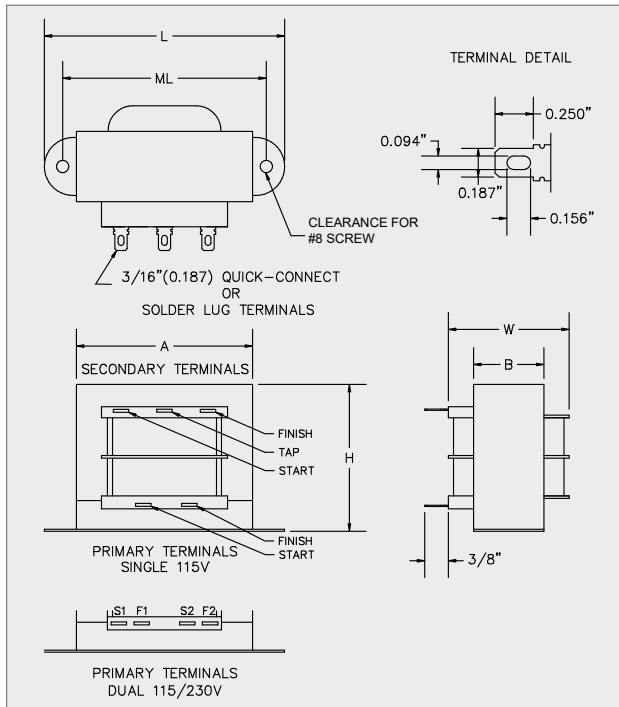
Signal's 241 transformers use a split bobbin construction that provides superior isolation and low capacitive coupling.

General Specifications

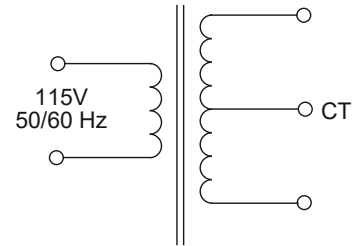
- Power - 2.4 VA to 100 VA
- Dielectric Strength - 2500 Vrms Hipot
- Primaries - Single or dual primaries (115 V or 115/230 V - 50/60 Hz)
- Secondary - Single center tapped secondary
- Terminals - Solder lug / quick connect type terminals
- Insulation - Class B (130° C) UL 1446 E66312

Agency Certifications

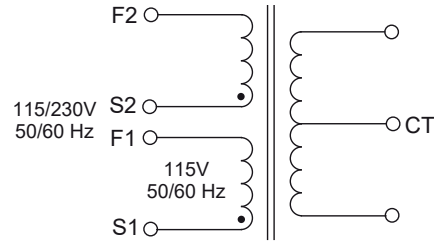
- UL recognized to UL 506 / UL 5085-1, File # E63829
- CSA certified to C22.2 #66.1, File # 221070



Single Primary



Dual Primary



• Indicates like polarity

Size	VA	Dimensions						Weight
		L	W	H	A	B	ML (typ)	
		Inches (mm)						lbs (kg)
3	2.4	2.07 (52.6)	1.17 (29.6)	1.23 (31.2)	1.62 (41.3)	0.59 (15.0)	1.75 (44.5)	0.25 (0.11)
4	6	2.37 (60.3)	1.31 (33.3)	1.43 (36.2)	1.71 (43.4)	0.72 (18.3)	2.00 (50.8)	0.44 (0.20)
5	12	2.81 (71.4)	1.43 (36.3)	1.69 (42.8)	1.97 (49.9)	0.89 (22.6)	2.37 (60.3)	0.7 (0.32)
6	30	3.25 (82.6)	1.74 (44.3)	1.96 (49.8)	2.35 (59.7)	1.14 (28.9)	2.81 (71.4)	1.1 (0.50)
7	56	3.68 (93.5)	1.94 (49.2)	2.28 (57.8)	2.70 (68.4)	1.14 (28.9)	3.12 (79.4)	1.7 (0.77)
8	100	4.03 (102.4)	2.30 (58.5)	2.58 (65.5)	3.08 (78.2)	1.43 (36.2)	3.56 (90.4)	2.75 (1.25)

Custom versions available upon request.



Toll Free 866-239-5777 | Tel 516-239-5777 | Fax 516-239-7208
sales@signaltransformer.com | techhelp@signaltransformer.com

belfuse.com/signal

TWO-4-ONE™ POWER TRANSFORMERS

Split Bobbin Construction Providing Superior Isolation



Chassis Mount

Part Number		Secondary RMS Rating
Single 115 V	Dual 115 / 230 V	
241-3-10	Not Available	10.0 VCT @ 0.25 A
241-4-10	DP-241-4-10	10.0 VCT @ 0.60 A
241-5-10	DP-241-5-10	10.0 VCT @ 1.2 A
241-6-10	DP-241-6-10	10.0 VCT @ 3.0 A
241-7-10	DP-241-7-10	10.0 VCT @ 5.0 A
241-8-10	DP-241-8-10	10.0 VCT @ 10 A
241-3-12	Not Available	12.6 VCT @ 0.20 A
241-4-12	DP-241-4-12	12.6 VCT @ 0.50 A
241-5-12	DP-241-5-12	12.6 VCT @ 1.0 A
241-6-12	DP-241-6-12	12.6 VCT @ 2.5 A
241-7-12	DP-241-7-12	12.6 VCT @ 4.0 A
241-8-12	DP-241-8-12	12.6 VCT @ 8.0 A
241-3-16	Not Available	16.0 VCT @ 0.15 A
241-4-16	DP-241-4-16	16.0 VCT @ 0.40 A
241-5-16	DP-241-5-16	16.0 VCT @ 0.80 A
241-6-16	DP-241-6-16	16.0 VCT @ 2.0 A
241-7-16	DP-241-7-16	16.0 VCT @ 3.5 A
241-8-16	DP-241-8-16	16.0 VCT @ 6.25 A
241-3-20	Not Available	20.0 VCT @ 0.12 A
241-4-20	DP-241-4-20	20.0 VCT @ 0.30 A
241-5-20	DP-241-5-20	20.0 VCT @ 0.60 A
241-6-20	DP-241-6-20	20.0 VCT @ 1.5 A
241-7-20	DP-241-7-20	20.0 VCT @ 2.8 A
241-8-20	DP-241-8-20	20.0 VCT @ 5.0 A
241-3-24	Not Available	24.0 VCT @ 0.10 A
241-4-24	DP-241-4-24	24.0 VCT @ 0.25 A
241-5-24	DP-241-5-24	24.0 VCT @ 0.50 A
241-6-24	DP-241-6-24	24.0 VCT @ 1.25 A
241-7-24	DP-241-7-24	24.0 VCT @ 2.4 A
241-8-24	DP-241-8-24	24.0 VCT @ 4.0 A

Part Number		Secondary RMS Rating
Single 115 V	Dual 115 / 230 V	
241-3-28	Not Available	28 VCT @ 0.085 A
241-4-28	DP-241-4-28	28 VCT @ 0.20 A
241-5-28	DP-241-5-28	28 VCT @ 0.42 A
241-6-28	DP-241-6-28	28 VCT @ 1.1 A
241-7-28	DP-241-7-28	28 VCT @ 2.0 A
241-8-28	DP-241-8-28	28 VCT @ 3.6 A
241-3-36	Not Available	36 VCT @ 0.065 A
241-4-36	DP-241-4-36	36 VCT @ 0.17 A
241-5-36	DP-241-5-36	36 VCT @ 0.35 A
241-6-36	DP-241-6-36	36 VCT @ 0.85 A
241-7-36	DP-241-7-36	36 VCT @ 1.5 A
241-8-36	DP-241-8-36	36 VCT @ 2.8 A
241-3-48	Not Available	48 VCT @ 0.05 A
241-4-48	DP-241-4-48	48 VCT @ 0.125 A
241-5-48	DP-241-5-48	48 VCT @ 0.25 A
241-6-48	DP-241-6-48	48 VCT @ 0.63 A
241-7-48	DP-241-7-48	48 VCT @ 1.2 A
241-8-48	DP-241-8-48	48 VCT @ 2.0 A
241-3-56	Not Available	56 VCT @ 0.045 A
241-4-56	DP-241-4-56	56 VCT @ 0.11 A
241-5-56	DP-241-5-56	56 VCT @ 0.22 A
241-6-56	DP-241-6-56	56 VCT @ 0.54 A
241-7-56	DP-241-7-56	56 VCT @ 1.00 A
241-8-56	DP-241-8-56	56 VCT @ 1.8 A
241-3-120	Not Available	120 VCT @ 0.02 A
241-4-120	DP-241-4-120	120 VCT @ 0.05 A
241-5-120	DP-241-5-120	120 VCT @ 0.10 A
241-6-120	DP-241-6-120	120 VCT @ 0.25 A
241-7-120	DP-241-7-120	120 VCT @ 0.50 A
241-8-120	DP-241-8-120	120 VCT @ 0.85 A

Note:
Agency certified 241 Series transformers with standard length and color lead wires are readily available.
See website for 241-L product series.

Custom versions available upon request.



Toll Free 866-239-5777 | Tel 516-239-5777 | Fax 516-239-7208
sales@signaltransformer.com | techhelp@signaltransformer.com

belfuse.com/signal

Split Bobbin Construction Providing Superior Isolation



Signal's 241-L transformers use a split bobbin construction that provides superior isolation and low capacitive coupling.

General Specifications

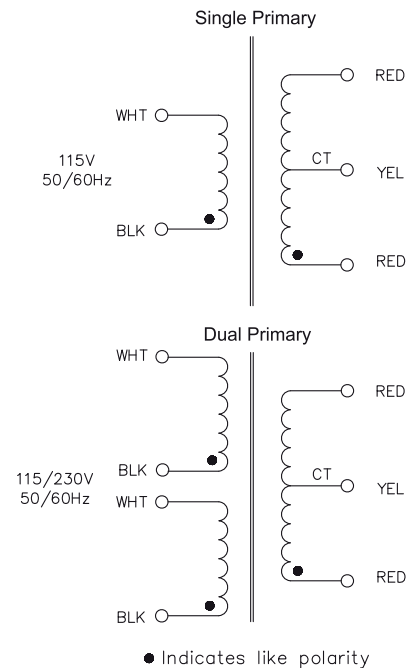
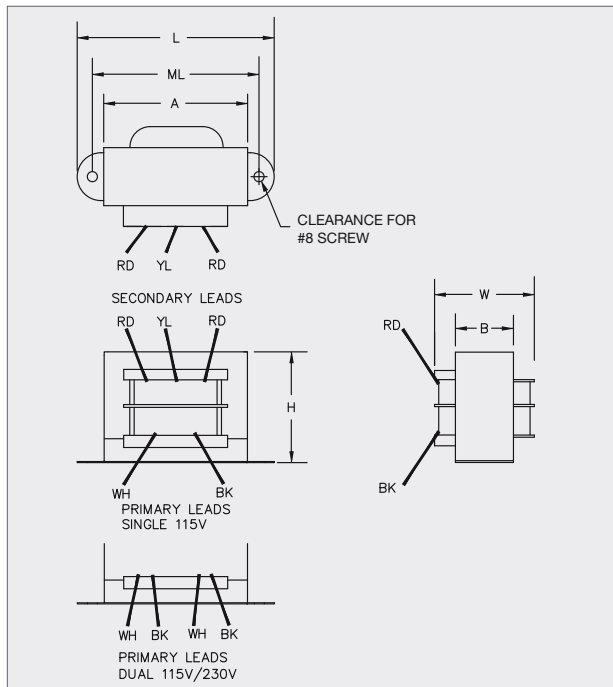
- Power - 2.4 VA to 100 VA
- Dielectric Strength - 2500 Vrms Hipot
- Primaries - Single or dual primaries (115 V or 115/230 V - 50/60 Hz)
- Secondary - Single center tapped secondary
- Insulation - Class B (130° C) UL 1446 E66312

Agency Certifications

- UL recognized to UL 506 / UL 5085, CSA 22.2, # 66.1

Lead Wires

- Hook up lead wire style UL1015, CSA TEW
- Rated 600 V -40° to +105° C
- Passes UL VW-1 (flame test)
- All primary and secondary lead wires are 18 AWG UL 1015
- All lead wires are 12" in length



Size	VA	Dimensions						Weight
		L	W	H	A	B	ML (typ)	
		Inches (mm)						lbs (kg)
3	2.4	2.07 (52.6)	1.17 (29.6)	1.23 (31.2)	1.45 (36.8)	0.59 (15.0)	1.75 (44.5)	0.25 (0.11)
4	6	2.37 (60.3)	1.31 (33.3)	1.43 (36.2)	1.71 (43.4)	0.72 (18.3)	2.00 (50.8)	0.44 (0.20)
5	12	2.81 (71.4)	1.43 (36.3)	1.69 (42.8)	1.97 (49.9)	0.89 (22.6)	2.37 (60.3)	0.7 (0.32)
6	30	3.25 (82.6)	1.74 (44.3)	1.96 (49.8)	2.35 (59.7)	1.14 (28.9)	2.81 (71.4)	1.1 (0.50)
7	56	3.68 (93.5)	1.94 (49.2)	2.28 (57.8)	2.70 (68.4)	1.14 (28.9)	3.12 (79.4)	1.7 (0.77)
8	100	4.03 (102.4)	2.30 (58.5)	2.58 (65.5)	3.08 (78.2)	1.43 (36.2)	3.56 (90.4)	2.75 (1.25)

Custom versions available upon request.



Toll Free 866-239-5777 | Tel 516-239-5777 | Fax 516-239-7208
 sales@signaltransformer.com | techhelp@signaltransformer.com

belfuse.com/signal

TWO-4-ONE™ POWER TRANSFORMERS WITH INSULATED HOOK-UP LEAD WIRES

Split Bobbin Construction Providing Superior Isolation



Chassis Mount with Lead Wires

Part Number		Secondary RMS Rating
Single 115 V	Dual 115 / 230 V	
241-3-10L	Not Available	10.0 VCT @ 0.25 A
241-4-10L	DP-241-4-10L	10.0 VCT @ 0.6 A
241-5-10L	DP-241-5-10L	10.0 VCT @ 1.2 A
241-6-10L	DP-241-6-10L	10.0 VCT @ 3.0 A
241-7-10L	DP-241-7-10L	10.0 VCT @ 5.0 A
241-8-10L	DP-241-8-10L	10.0 VCT @ 10 A
241-3-12L	Not Available	12.6 VCT @ 0.2 A
241-4-12L	DP-241-4-12L	12.6 VCT @ 0.5 A
241-5-12L	DP-241-5-12L	12.6 VCT @ 1.0 A
241-6-12L	DP-241-6-12L	12.6 VCT @ 2.5 A
241-7-12L	DP-241-7-12L	12.6 VCT @ 4.0 A
241-8-12L	DP-241-8-12L	12.6 VCT @ 8.0 A
241-3-16L	Not Available	16.0 VCT @ 0.15 A
241-4-16L	DP-241-4-16L	16.0 VCT @ 0.4 A
241-5-16L	DP-241-5-16L	16.0 VCT @ 0.8 A
241-6-16L	DP-241-6-16L	16.0 VCT @ 2.0 A
241-7-16L	DP-241-7-16L	16.0 VCT @ 3.5 A
241-8-16L	DP-241-8-16L	16.0 VCT @ 6.25 A
241-3-20L	Not Available	20.0 VCT @ 0.12 A
241-4-20L	DP-241-4-20L	20.0 VCT @ 0.3 A
241-5-20L	DP-241-5-20L	20.0 VCT @ 0.6 A
241-6-20L	DP-241-6-20L	20.0 VCT @ 1.5 A
241-7-20L	DP-241-7-20L	20.0 VCT @ 2.8 A
241-8-20L	DP-241-8-20L	20.0 VCT @ 5.0 A
241-3-24L	Not Available	24.0 VCT @ 0.1 A
241-4-24L	DP-241-4-24L	24.0 VCT @ 0.25 A
241-5-24L	DP-241-5-24L	24.0 VCT @ 0.5 A
241-6-24L	DP-241-6-24L	24.0 VCT @ 1.25 A
241-7-24L	DP-241-7-24L	24.0 VCT @ 2.4 A
241-8-24L	DP-241-8-24L	24.0 VCT @ 4.0 A

Part Number		Secondary RMS Rating
Single 115 V	Dual 115 / 230 V	
241-3-28L	Not Available	28 VCT @ 0.085 A
241-4-28L	DP-241-4-28L	28 VCT @ 0.20 A
241-5-28L	DP-241-5-28L	28 VCT @ 0.42 A
241-6-28L	DP-241-6-28L	28 VCT @ 1.1 A
241-7-28L	DP-241-7-28L	28 VCT @ 2.0 A
241-8-28L	DP-241-8-28L	28 VCT @ 3.6 A
241-3-36L	Not Available	36 VCT @ 0.065 A
241-4-36L	DP-241-4-36L	36 VCT @ 0.17 A
241-5-36L	DP-241-5-36L	36 VCT @ 0.35 A
241-6-36L	DP-241-6-36L	36 VCT @ 0.85 A
241-7-36L	DP-241-7-36L	36 VCT @ 1.5 A
241-8-36L	DP-241-8-36L	36 VCT @ 2.8 A
241-3-48L	Not Available	48 VCT @ 0.05 A
241-4-48L	DP-241-4-48L	48 VCT @ 0.125 A
241-5-48L	DP-241-5-48L	48 VCT @ 0.25 A
241-6-48L	DP-241-6-48L	48 VCT @ 0.63 A
241-7-48L	DP-241-7-48L	48 VCT @ 1.2 A
241-8-48L	DP-241-8-48L	48 VCT @ 2.0 A
241-3-56L	Not Available	56 VCT @ 0.045 A
241-4-56L	DP-241-4-56L	56 VCT @ 0.11 A
241-5-56L	DP-241-5-56L	56 VCT @ 0.22 A
241-6-56L	DP-241-6-56L	56 VCT @ 0.54 A
241-7-56L	DP-241-7-56L	56 VCT @ 1.00 A
241-8-56L	DP-241-8-56L	56 VCT @ 1.8 A
241-3-120L	Not Available	120 VCT @ 0.02 A
241-4-120L	DP-241-4-120L	120 VCT @ 0.05 A
241-5-120L	DP-241-5-120L	120 VCT @ 0.10 A
241-6-120L	DP-241-6-120L	120 VCT @ 0.25 A
241-7-120L	DP-241-7-120L	120 VCT @ 0.50 A
241-8-120L	DP-241-8-120L	120 VCT @ 0.85 A

Custom versions available upon request.



Toll Free 866-239-5777 | Tel 516-239-5777 | Fax 516-239-7208
 sales@signaltransformer.com | techhelp@signaltransformer.com

belfuse.com/signal

TWO-4-ONE™ TRIPLE OUTPUT TRANSFORMERS

For 5 VDC and ±12 VDC or ±15 VDC Regulated Power Supplies



Signal's MT and DMT triple output transformers have all of the performance features of our 241 series.

General Specifications

- Power - 30 VA, 56 VA and 100 VA
- Dielectric Strength - 2500 Vrms Hipot
- Primaries - Single or dual primaries 115 V or 115/230 V nominal, 50/60 Hz. Input range 100 V to 130 V or 200 V to 260 V
- Secondaries - Dual complementary outputs (5 VDC with ±12 VDC or 5 VDC with ±15 VDC)
- Terminals - Solder lug / quick connect type terminals
- Insulation - Class B (130° C) UL E66312
- RoHS compliant

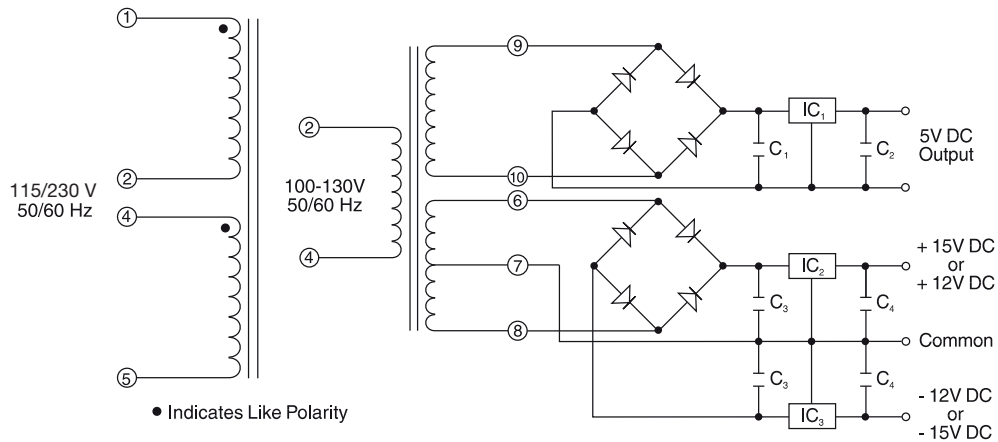
Agency Certifications

- UL 1446 E66312
- UL recognized to UL 506 / UL5085-2, File # E63829
- CSA certified to C22.2 #66.1, File # 221070



Part Number Primary 50/60 Hz		DC Output		Size	Suggested Components (C ₂ and C ₄ See Note 1)						
115 V	115/230 V	Regulator I	Regulator II		C ₁	C ₃	IC1 ³	IC2 ³	IC3 ³	D1 ⁴	D2 ⁴
MT-6-12	DMT-6-12	5 V @ 1.75 A	±12 V @ 210 mA	6	10 KMFD @ 20 VDC	1.5 KMFD @ 50 VDC	LM-323K-5	LM-340K-12	LM-320K-12	3N253	3N247
MT-6-15	DMT-6-15	5 V @ 1.75 A	±15 V @ 175 mA	6			LM-323K-5	LM-340K-15	LM-320K-15	3N253	3N247
MT-7-12	DMT-7-12	5 V @ 2.8 A	±12 V @ 350 mA	7	15 KMFD @ 20 VDC	2 KMFD @ 50 VDC	LM-323K-5	LM-340K-12	LM-320K-12	MDA-400	3N247
MT-7-15	DMT-7-15	5 V @ 2.8 A	±15 V @ 280 mA	7			LM-323K-5	LM-340K-15	LM-320K-15	MDA-400	3N247
MT-8-12	DMT-8-12	5 V @ 4 A	±12 V @ 600 mA	8	26 KMFD @ 20 VDC	3.1 KMFD @ 50 VDC	LM-338 ²	LM-340K-12	LM-320K-12	MDA-800	3N247
MT-8-15	DMT-8-15	5 V @ 4 A	±15 V @ 500 mA	8			LM-338 ²	LM-340K-15	LM-320K-15	MDA-800	3N247

Note 1: Output capacitors C₂ and C₄ are required to stabilize regulators. Values can be 1 MFD min. tantalum or 10 MFD min. electrolytic, 20 V min.
 Note 2: LM-338 is an adjustable regulator and Mfr's specifications (National Semiconductor) should be consulted for values of external components.
 Note 3: All IC's are National Semiconductor types.
 Note 4: All diodes are Motorola types.



Custom versions available upon request.

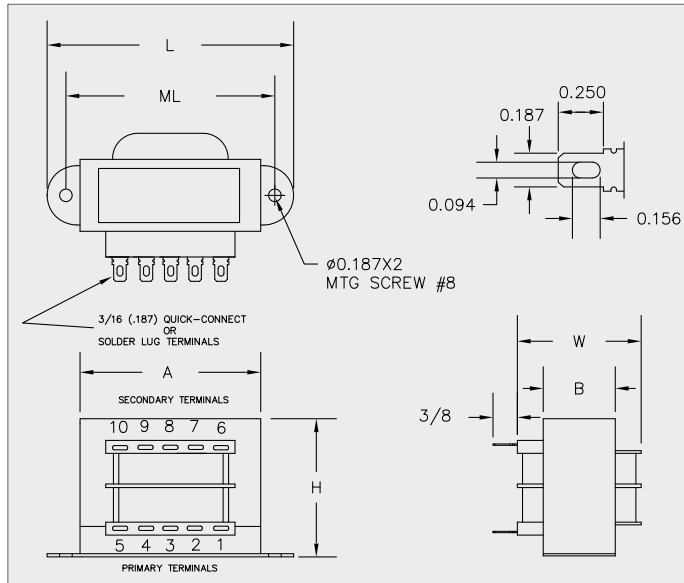


Toll Free 866-239-5777 | Tel 516-239-5777 | Fax 516-239-7208
 sales@signaltransformer.com | techhelp@signaltransformer.com

belfuse.com/signal

TWO-4-ONE™ TRIPLE OUTPUT TRANSFORMERS

For 5 VDC and ±12 VDC or ±15 VDC Regulated Power Supplies



Size	Dimensions						Weight
	L	W	H	A	B	ML (typ)	
	Inches (mm)						lbs (kg)
6	3.25 (82.6)	1.74 (44.3)	1.96 (49.8)	2.35 (59.7)	1.14 (28.9)	2.81 (71.4)	1.1 (0.50)
7	3.68 (93.5)	1.94 (49.2)	2.28 (57.8)	2.70 (68.4)	1.14 (28.9)	3.12 (79.4)	1.7 (0.77)
8	4.03 (102.4)	2.30 (58.5)	2.58 (65.5)	3.08 (78.2)	1.43 (36.2)	3.56 (90.4)	2.75 (1.25)

Custom versions available upon request.



Toll Free 866-239-5777 | Tel 516-239-5777 | Fax 516-239-7208
 sales@signaltransformer.com | techhelp@signaltransformer.com

belfuse.com/signal

ECOTRAN STANDARD SERIES TRANSFORMER

International CE Transformer



Signal's ECO Transformers utilize split bobbin construction that provides superior isolation with no exposed metallic surfaces. Touch Safe terminal design eliminates potential shock hazards.

General Specifications

- Power 105, 140, 170, 200, 330, 450 VA Ratings
- Dielectric Strength: 4000 V
- Primaries: 115/230 V 50/60 Hz
- **CE** Compliant Reinforced Insulation
- Dual Secondary Outputs for Series / Parallel Connection
- Insulation System: UL 1446 Class F 155°C
- Leakage Current: <30 µA
- Touch Safe Terminals (IP20 type) offer a screw/binding clamp for hard wiring with optional ¼" Fast-On
- Exterior Surfaces Rated UL 94 V2

Agency Certifications

- The EcoTran Series are **CE** compliant: IEC 61558-1, parts 2-4, 2-6
- Insulation System: UL 1446 Class F insulation 155°C
- UL Listed to UL 5085-1, UL5085-2, CSA C22.2 No. 66.1-06, CSA C22.2 No. 66.2-06
- **CE** compliant, EU/EC Declaration of Conformity / TUV Rheinland

Part Number	Secondary Series	Secondary Parallel
ECO-105-24	24 VCT @ 4.3 A	12 V @ 8.7 A
ECO-140-24	24 VCT @ 5.8 A	12 V @ 11.6 A
ECO-170-24	24 VCT @ 7.0 A	12 V @ 14.0 A
ECO-200-24	24 VCT @ 8.3 A	12 V @ 16.6 A
ECO-330-24	24 VCT @ 13.7 A	12 V @ 27.5 A
ECO-450-24	24 VCT @ 18.7 A	12 V @ 37.5 A
ECO-105-28	28 VCT @ 3.7 A	14 V @ 7.4 A
ECO-140-28	28 VCT @ 5.0 A	14 V @ 10.0 A
ECO-170-28	28 VCT @ 6.0 A	14 V @ 12.0 A
ECO-200-28	28 VCT @ 7.1 A	14 V @ 14.2 A
ECO-330-28	28 VCT @ 11.7 A	14 V @ 23.4 A
ECO-450-28	28 VCT @ 16.0 A	14 V @ 32.0 A
ECO-105-40	40 VCT @ 2.6 A	20 V @ 5.2 A
ECO-140-40	40 VCT @ 3.5 A	20 V @ 7.0 A
ECO-170-40	40 VCT @ 4.2 A	20 V @ 8.4 A
ECO-200-40	40 VCT @ 5.0 A	20 V @ 10.0 A
ECO-330-40	40 VCT @ 8.2 A	20 V @ 16.4 A
ECO-450-40	40 VCT @ 11.3 A	20 V @ 22.6 A

Part Number	Secondary Series	Secondary Parallel
ECO-105-48	48 VCT @ 2.2 A	24 V @ 4.4 A
ECO-140-48	48 VCT @ 2.9 A	24 V @ 5.8 A
ECO-170-48	48 VCT @ 3.5 A	24 V @ 7.0 A
ECO-200-48	48 VCT @ 4.1 A	24 V @ 8.2 A
ECO-330-48	48 VCT @ 6.8 A	24 V @ 13.7 A
ECO-450-48	48 VCT @ 9.4 A	24 V @ 18.8 A
ECO-105-230	230 VCT @ 0.45 A	115 V @ 0.91 A
ECO-140-230	230 VCT @ 0.61 A	115 V @ 1.2 A
ECO-170-230	230 VCT @ 0.74 A	115 V @ 1.5 A
ECO-200-230	230 VCT @ 0.87 A	115 V @ 1.7 A
ECO-330-230	230 VCT @ 1.40 A	115 V @ 2.8 A
ECO-450-230	230 VCT @ 2.00 A	115 V @ 4.0 A

Custom versions available upon request.

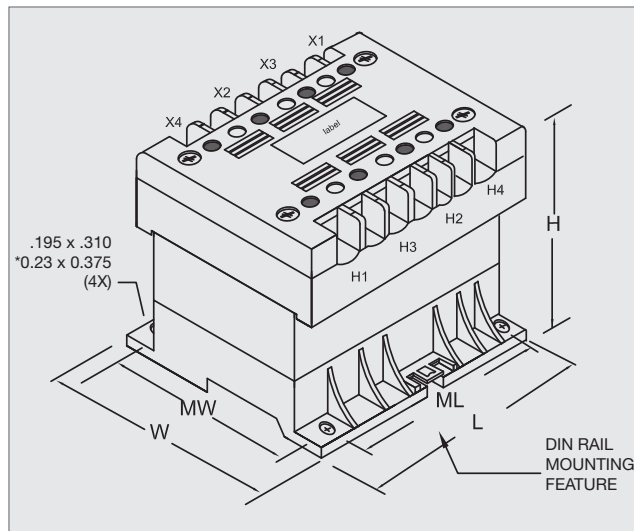
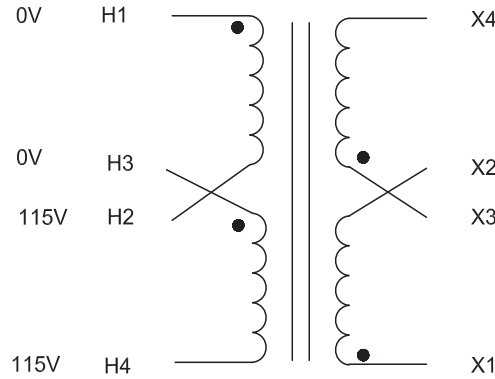


Toll Free 866-239-5777 | Tel 516-239-5777 | Fax 516-239-7208
sales@signaltransformer.com | techhelp@signaltransformer.com

belfuse.com/signal

ECOTRAN STANDARD SERIES TRANSFORMER

International CE Transformer



VA	Dimensions					Mounting Screw	Weight
	L	W	H	ML	MW		
Inches (mm)							lbs (kg)
105	3.54 (90)	4.17 (106)	3.78 (96)	2.69 (68.5)	3.54 (90)	#10	3.7 (1.68)
140	3.54 (90)	4.17 (106)	4.17 (106)	2.69 (68.5)	3.54 (90)	#10	4.6 (2.08)
170	3.54 (90)	4.17 (106)	4.57 (116)	2.69 (68.5)	3.54 (90)	#10	5.4 (2.45)
200	3.54 (90)	4.17 (106)	4.57 (116)	2.69 (68.5)	3.54 (90)	#10	5.6 (2.54)
330	4.96 (126)	5.35 (136)	4.50 (114.3)	3.78 (96)	4.76 (121)	#10*	9.1 (4.13)
450	4.96 (126)	5.35 (136)	4.90 (124.5)	3.78 (96)	4.76 (121)	#10*	11.5 (5.21)

Custom versions available upon request.



Toll Free 866-239-5777 | Tel 516-239-5777 | Fax 516-239-7208
 sales@signaltransformer.com | techhelp@signaltransformer.com

belfuse.com/signal

ONE-4-ALL™ INTERNATIONAL TRANSFORMERS

International Standards at Lower Cost with Better Performance



Signal's 14A transformers are used in low power applications and provide the high isolation, creepage and clearance necessary to comply with international safety standards.

General Specifications

- Power - 2.5 VA to 56 VA
- Dielectric Strength - 4000 Vrms Hipot
- Dual Primaries - 115/230 V - 50/60 Hz
- Dual Secondaries - Series or parallel
- Insulation System - Class F, 155° C, UL 1446 (E66312)
- Flammability Rating - Bobbin and shroud material meet UL 94-V0

Agency Certifications

- UL recognized to UL 506 / UL 5085-2, File # E63829
- CSA certified to C22.2 No. 66.1, File # 221070
- VDE certified to VDE 0805 / EN 60950, File # 1446
- # CSA certified to C22.2 No. 66.3 / UL5085-3, File # 221070 - Class 2 Energy Limited



Part Number	VA	Secondary RMS Rating	
	Size	Series	Parallel
14A-2.5R-10	2.5	10.0 VCT @ 0.25 A	5.0 V @ 0.50 A
14A-5.0R-10	5	10.0 VCT @ 0.50 A	5.0 V @ 1.00 A
14A-10R-10	10	10.0 VCT @ 1.00 A	5.0 V @ 2.00 A
14A-2.5R-12#	2.5	12.6VCT @ 0.20 A	6.3 V @ 0.40 A
14A-5.0R-12#	5	12.6 VCT @ 0.40 A	6.3 V @ 0.80 A
14A-10R-12#	10	12.6 VCT @ 0.80 A	6.3 V @ 1.60 A
14A-2.5R-16#	2.5	16.0 VCT @ 0.15 A	8.0 V @ 0.30 A
14A-5.0R-16#	5	16.0 VCT @ 0.31 A	8.0 V @ 0.62 A
14A-10R-16#	10	16.0 VCT @ 0.62 A	8.0 V @ 1.25 A
14A-2.5R-20#	2.5	20.0 VCT @ 0.12 A	10 V @ 0.24 A
14A-5.0R-20#	5	20.0 VCT @ 0.25 A	10 V @ 0.50 A
14A-10R-20#	10	20.0 VCT @ 0.50 A	10 V @ 1.00 A
14A-2.5R-24#	2.5	24.0 VCT @ 0.10 A	12 V @ 0.20 A
14A-5.0R-24#	5	24.0 VCT @ 0.21 A	12 V @ 0.42 A
14A-10R-24#	10	24.0 VCT @ 0.42 A	12 V @ 0.84 A
14A-2.5R-28	2.5	28.0 VCT @ 0.09 A	14 V @ 0.18 A
14A-5.0R-28	5	28.0 VCT @ 0.18 A	14 V @ 0.36 A
14A-10R-28	10	28.0 VCT @ 0.36 A	14 V @ 0.72 A
14A-2.5R-36	2.5	36.0 VCT @ 0.07 A	18 V @ 0.14 A
14A-5.0R-36	5	36.0 VCT @ 0.14 A	18 V @ 0.28 A
14A-10R-36	10	36.0 VCT @ 0.28 A	18 V @ 0.56 A

Part Number	VA	Secondary RMS Rating	
	Size	Series	Parallel
14A-20-10	20	10.0 VCT @ 2.0A	5.0 V @ 4.0 A
14A-30-10	30	10.0 VCT @ 3.0A	5.0 V @ 6.0 A
14A-56-10	56	10.0 VCT @ 5.6A	5.0 V @ 11.2 A
14A-20-12#	20	12.6 VCT @ 1.6A	6.3 V @ 3.2 A
14A-30-12#	30	12.6 VCT @ 2.4A	6.3 V @ 4.80 A
14A-56-12	56	12.6 VCT @ 4.4A	6.3 V @ 8.80 A
14A-20-16#	20	16.0 VCT @ 1.25 A	8.0 V @ 2.50 A
14A-30-16#	30	16.0 VCT @ 1.90 A	8.0 V @ 3.80 A
14A-56-16	56	16.0 VCT @ 3.50 A	8.0 V @ 7.00 A
14A-20-20#	20	20.0 VCT @ 1.00 A	10 V @ 2.00 A
14A-30-20#	30	20.0 VCT @ 1.50 A	10 V @ 3.00 A
14A-56-20	56	20.0 VCT @ 2.80 A	10 V @ 5.60 A
14A-20-24#	20	24.0 VCT @ 0.83 A	12 V @ 1.66 A
14A-30-24#	30	24.0 VCT @ 1.25 A	12 V @ 2.50 A
14A-56-24	56	24.0 VCT @ 2.33 A	12 V @ 4.66 A
14A-20-28	20	28.0 VCT @ 0.72 A	14 V @ 1.44 A
14A-30-28	30	28.0 VCT @ 1.06 A	14 V @ 2.12 A
14A-56-28	56	28.0 VCT @ 2.00 A	14 V @ 4.00 A
14A-20-36	20	36.0 VCT @ 0.56 A	18 V @ 1.12 A
14A-30-36	30	36.0 VCT @ 0.82 A	18 V @ 1.64 A
14A-56-36	56	36.0 VCT @ 1.56 A	18 V @ 3.12 A

Custom versions available upon request.

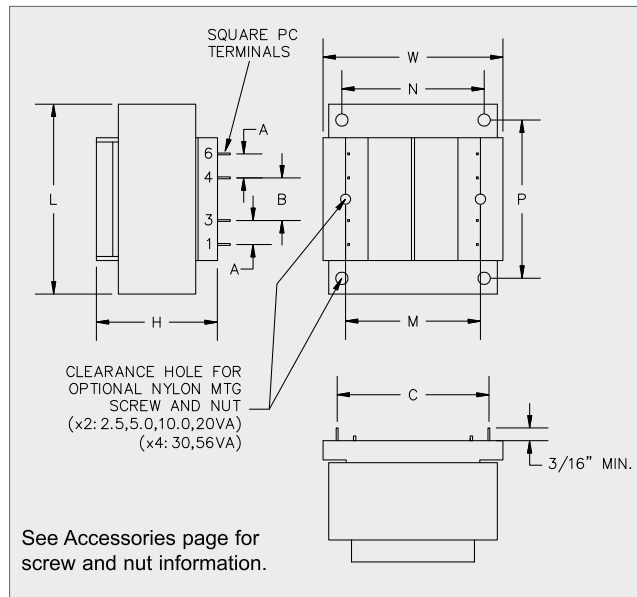
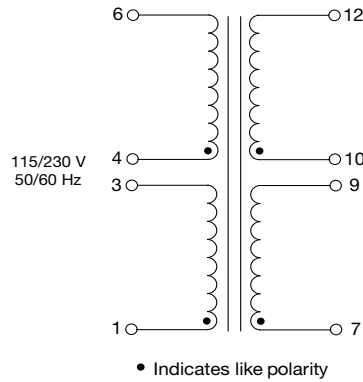


Toll Free 866-239-5777 | Tel 516-239-5777 | Fax 516-239-7208
sales@signaltransformer.com | techhelp@signaltransformer.com

belfuse.com/signal

ONE-4-ALL™ INTERNATIONAL TRANSFORMERS

International Standards at Lower Cost with Better Performance



VA	Mechanical Dimensions						Sq. Pin Dimensions	Mounting Dimensions			Mounting Screw		Weight	
	L	W	H*	A	B	C		M	N	P	Size	Qty		lbs (kg)
Size	Inches (mm)											Size	Qty	lbs (kg)
2.5	1.62 (41.3)	1.43 (36.5)	1.12 (28.6)	0.20 (5.08)	0.25 (6.35)	1.00 (25.4)	0.025 (0.64)	1.06 (26.9)	-	-	#4	2	0.25 (0.113)	
5	1.62 (41.3)	1.43 (36.5)	1.37 (34.9)	0.20 (5.08)	0.40 (10.16)	1.00 (25.4)	0.025 (0.64)	1.06 (26.9)	-	-	#4	2	0.37 (0.168)	
10	1.87 (47.6)	1.56 (39.7)	1.37 (34.9)	0.20 (5.08)	0.40 (10.16)	1.14 (29.0)	0.036 (0.91)	1.25 (31.7)	-	-	#4	2	0.53 (0.240)	
20	2.25 (57.2)	1.87 (47.6)	1.62 (41.3)	0.40 (10.2)	0.40 (10.2)	1.46 (37.1)	0.036 (0.91)	1.50 (38.1)	-	-	#4	2	0.90 (0.41)	
30	2.62 (66.7)	2.18 (55.5)	1.56 (39.7)	0.55 (13.9)	0.27 (7.0)	1.68 (42.7)	0.045 (1.14)	-	1.75 (44.4)	2.18 (55.5)	#6	4	1.15 (0.52)	
56	3.00 (76.2)	2.50 (63.5)	1.83 (46.5)	0.60 (15.2)	0.30 (7.6)	1.90 (48.3)	0.045 (1.14)	-	2.00 (50.8)	2.50 (6.35)	#6	4	1.70 (0.77)	

*Note: Dimension H represents the total distance from the seating plane to the uppermost surface, stand offs and/or risers inclusive.

Custom versions available upon request.



Toll Free 866-239-5777 | Tel 516-239-5777 | Fax 516-239-7208
sales@signaltransformer.com | techhelp@signaltransformer.com

belfuse.com/signal

ONE-4-ALL™ TRIPLE OUTPUT TRANSFORMERS

For 5 VDC and ±12 VDC or ±15 VDC Regulated Power Supplies Requiring International Safety Certification



Signal's 14A triple output transformers have PC board mounting capability plus all of the performance features of our split bobbin 14A series.

General Specifications

- Power - 20 VA to 56 VA
- Dielectric Strength - 4000 Vrms Hipot
- Primaries - Dual 115/230 V, 50/60 Hz
- Secondaries - Dual complementary outputs
- Insulation System - Class F, 155° C, UL 1446 (E66312)
- Flammability Rating - Bobbin and shroud material meet UL 94-V0

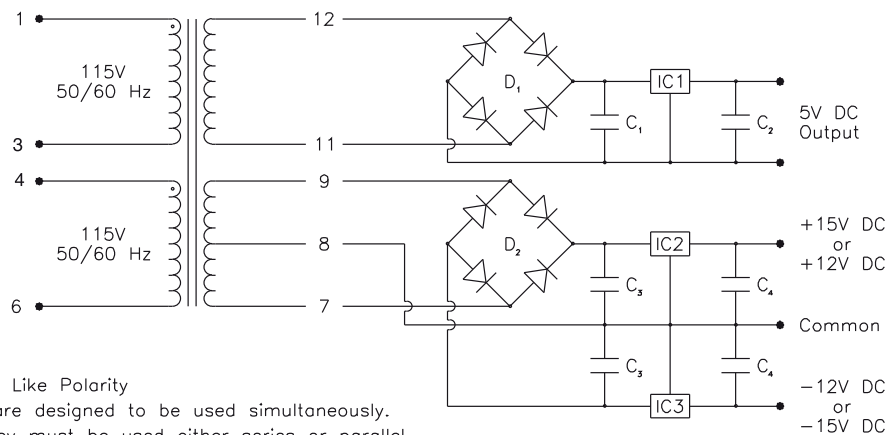
Agency Certifications

- UL recognized to UL 506 / UL 5085-2, File # E63829
- CSA certified to C22.2 No. 66.1, File # 221070
- VDE certified to VDE 0805 / EN 60950, File # 1446



Part Number	VA	DC Output		Suggested Components (C ₂ and C ₄ See Note 1)					
	Size	Regulator I	Regulator II	C ₁	IC1 ³	IC2 ³	IC3 ³	D1 ⁴	D2 ⁴
14A-20-512	20	5 V @ 750 mA	±12 V @ 200 mA	2.3 KMFD @ 50 VDC	LM-323K-5	LM-340K-12	LM-320K-12	PE20	PF20
14A-20-515	20	5 V @ 750 mA	±15 V @ 175 mA		LM-323K-5	LM-340K-15	LM-320K-15	PE20	PF20
14A-30-512	30	5 V @ 1.25 A	±12 V @ 250 mA	4.1 KMFD @ 15 VDC	LM-323K-5	LM-340K-12	LM-320K-12	PE20	PF20
14A-30-515	30	5 V @ 1.25 A	±15 V @ 200 mA		LM-323K-5	LM-340K-15	LM-320K-15	PE20	PF20
14A-56-512	56	5 V @ 3 A	±12 V @ 300 mA	10.0 KMFD @ 15 VDC	LM-338 ²	LM-340K-12	LM-320K-12	PP20	PF20
14A-56-515	56	5 V @ 3 A	±15 V @ 250 mA		LM-338 ²	LM-340K-15	LM-320K-15	PP20	PF20

- Note 1: Output capacitors C₂ and C₄ are required to stabilize regulators. Values can be 1 MFD min. tantalum or 10 MFD min. electrolytic, 20 V min.
 Note 2: LM-338 is an adjustable regulator and MFR's specifications (National Semiconductor) should be consulted for values of external components.
 Note 3: All ICs are National Semiconductor types.
 Note 4: All bridges are EDI types.



• Indicates Like Polarity
 Primaries are designed to be used simultaneously.
 That is, they must be used either series or parallel connected (as one winding).

Custom versions available upon request.

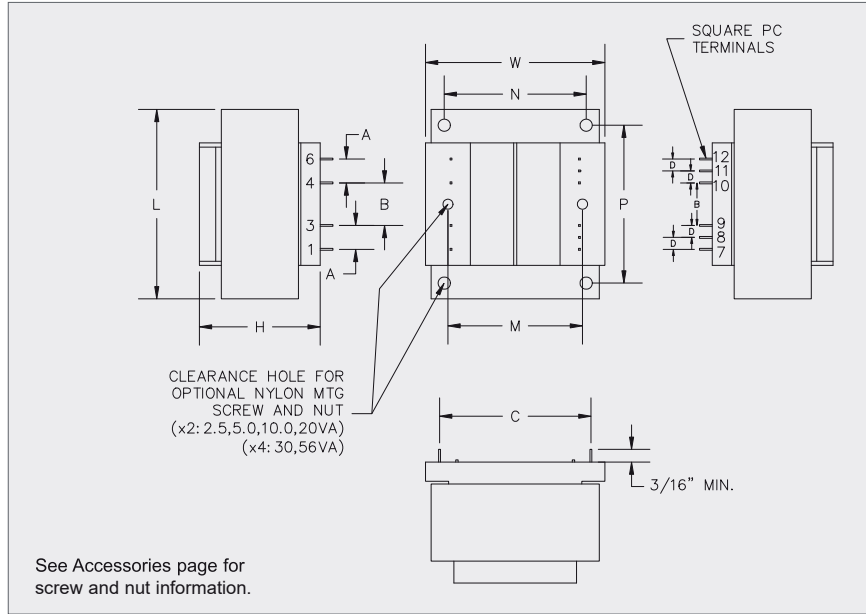


Toll Free 866-239-5777 | Tel 516-239-5777 | Fax 516-239-7208
 sales@signaltransformer.com | techhelp@signaltransformer.com

belfuse.com/signal

ONE-4-ALL™ TRIPLE OUTPUT TRANSFORMERS

For 5 VDC and ±12 VDC or ±15 VDC Regulated Power Supplies
Requiring International Safety Certification



VA	Mechanical Dimensions							Sq. Pin Dimensions	Mounting Dimensions			Mounting Screw		Weight			
	L	W	H*	A	B	C	D		M	N	P	Size	Qty				
Size	Inches (mm)														Size	Qty	lbs (kg)
20	2.25 (57.2)	1.87 (47.6)	1.62 (41.3)	0.40 (10.2)	0.40 (10.2)	1.46 (37.1)	0.20 (5.1)	0.036 (0.91)	1.50 (38.1)	-	-	#4	2	0.90 (0.41)			
30	2.62 (66.7)	2.18 (55.5)	1.56 (39.7)	0.55 (13.9)	0.27 (7.0)	1.68 (42.7)	0.27 (7.0)	0.045 (1.14)	-	1.75 (44.4)	2.18 (55.5)	#6	4	1.15 (0.52)			
56	3.00 (76.2)	2.50 (63.5)	1.83 (46.5)	0.60 (15.2)	0.30 (7.6)	1.90 (48.3)	0.3 (7.6)	0.045 (1.14)	-	2.00 (50.8)	2.50 (6.35)	#6	4	1.70 (0.77)			

* Dimension H represents the total distance from the seating plane to the uppermost surface, stand offs and/or risers inclusive.

Custom versions available upon request.

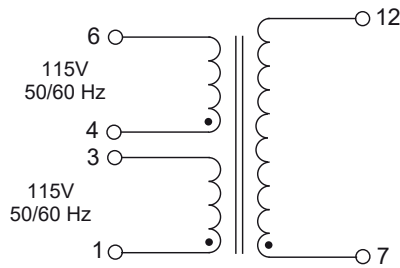


Toll Free 866-239-5777 | Tel 516-239-5777 | Fax 516-239-7208
sales@signaltransformer.com | techhelp@signaltransformer.com

belfuse.com/signal

CLASS 2 TRANSFORMERS

Inherently or Non-Inherently Limited



• Indicates like polarity

Note:

Primaries are designed to be used simultaneously. That is, they must be used either series or parallel connected (as one winding).

Signal's CL2 transformers are available in printed circuit and chassis mount versions. They are supplied as inherently or non-inherently limited units that are UL 1585 / UL 5085 recognized.

General Specifications

- Power - 2.5 VA to 50 VA
- Dielectric Strength - 4000 Vrms Hipot
- Primaries - Dual primaries, 115/230 V, 50/60 Hz,
- Secondaries - Single secondary
- Class 2 Rating - inherently or non-inherently limited (secondary fuse requirements below)
- Electrostatic Shield - Not necessary, split bobbin construction
- Insulation System - Class F insulation, 155° C
- Flammability Rating - Bobbin and shroud material rated UL 94V0

Agency Certifications

- UL recognized to UL 1585 / UL 5085-3 Class 2, File # E116583
- CSA certified to C22.2 #66.1

Part Number	Secondary RMS Rating	Secondary Fuse Required
CL2-2.5R-12	12 V @ 0.20 A	N/A*
CL2-2.5R-24	24 V @ 0.10 A	N/A*
CL2-5.0R-12	12 V @ 0.42 A	N/A*
CL2-5.0R-24	24 V @ 0.20 A	N/A*
CL2-10R-12	12 V @ 0.83 A	N/A*
CL2-10R-24	24 V @ 0.42 A	N/A*
CL2-20-12	12 V @ 1.66 A	N/A*
CL2-20-24	24 V @ 0.833 A	N/A*
CL2-30-12	12 V @ 2.50 A	3.0 A**
CL2-30-24	24 V @ 1.25 A	1.75 A**
CL2-50-12	12 V @ 4.20 A	5.0 A**
CL2-50-24	24 V @ 2.10 A	2.5 A**

* Inherently limited

** Non-inherently limited

Maximum secondary fuse value specified.

Custom versions available upon request.

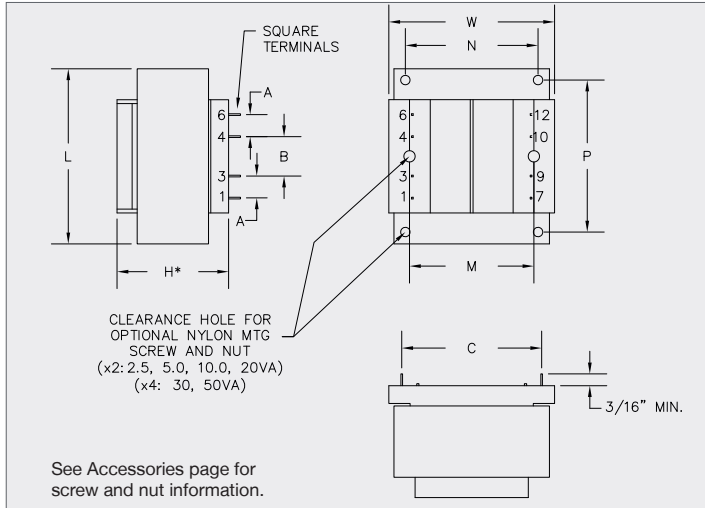


Toll Free 866-239-5777 | Tel 516-239-5777 | Fax 516-239-7208
 sales@signaltransformer.com | techhelp@signaltransformer.com

belfuse.com/signal

CLASS 2 TRANSFORMERS

Inherently or Non-Inherently Limited



VA	Dimensions						Sq. Pin Dimension	Mounting Dimensions			Mounting Screw		Weight
	L	W	H*	A	B	C		Inches (mm)			Size	Qty	
Size	Inches (mm)							M	N	P	Size	Qty	lbs (kg)
2.5	1.62 (41.3)	1.43 (36.5)	1.12 (28.6)	.20 (5.1)	.25 (6.4)	1.00 (25.4)	0.025 (0.64)	1.06 (26.9)	-	-	#4	2	0.25 (0.11)
5.0	1.62 (41.3)	1.43 (36.5)	1.37 (34.9)	.20 (5.1)	.40 (10.2)	1.00 (25.4)	0.025 (0.64)	1.06 (26.9)	-	-	#4	2	0.37 (0.17)
10.0	1.87 (47.6)	1.56 (39.7)	1.37 (34.9)	.20 (5.1)	.40 (10.2)	1.14 (29.0)	0.036 (0.91)	1.25 (31.8)	-	-	#4	2	0.53 (0.24)
20.0	2.25 (57.2)	1.87 (47.6)	1.62 (41.3)	.40 (10.2)	.40 (10.2)	1.46 (37.1)	0.036 (0.91)	1.50 (38.1)	-	-	#4	2	0.90 (0.41)
30.0	2.62 (66.7)	2.18 (55.5)	1.56 (39.7)	.55 (14.0)	.27 (7.0)	1.68 (42.7)	0.045 (1.02)	-	1.75 (44.5)	2.18 (55.5)	#6	4	1.15 (0.52)
50.0	3.00 (76.2)	2.50 (63.5)	1.83 (46.5)	.60 (15.2)	.30 (7.6)	1.90 (48.3)	0.045 (1.02)	-	2.00 (50.8)	2.50 (63.5)	#6	4	1.70 (0.77)

* Dimension H represents the total distance from the seating plane to the uppermost surface, stand offs and/or risers inclusive.

Custom versions available upon request.



Toll Free 866-239-5777 | Tel 516-239-5777 | Fax 516-239-7208
sales@signaltransformer.com | techhelp@signaltransformer.com

belfuse.com/signal

FLATHEAD™ LOW PROFILE TRANSFORMERS

For Low Power and Critical Height Applications



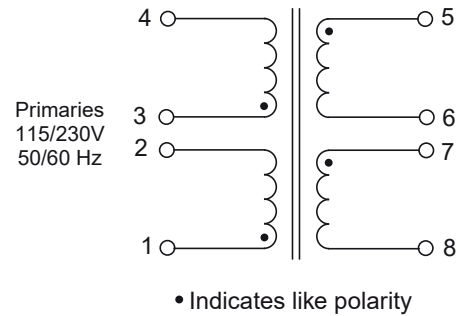
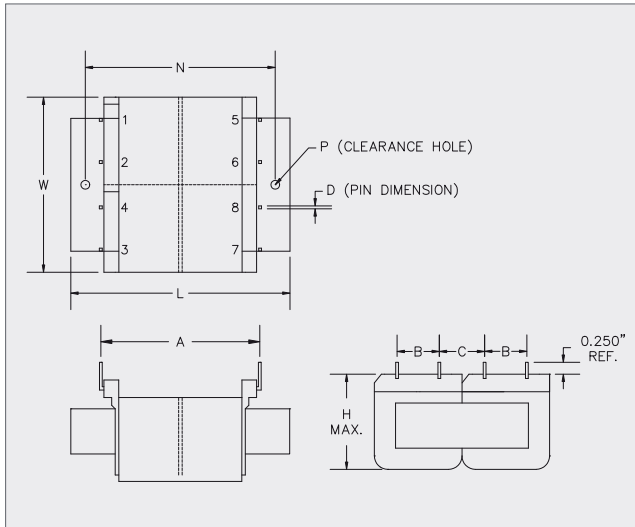
Signal's LP transformers use hum-bucking (semi-toroidal) construction that minimizes radiated magnetic fields. These transformers are ideal for critical low-height PC board applications.

General Specifications

- Power - 2 VA to 48 VA
- Dielectric Strength - 1500 Vrms Hipot
- Primaries - Dual primaries, 115/230 V - 50/60 Hz
- Secondaries - Series or Parallel
- Height - 0.65" to 1.375" (16.5 mm to 34.9 mm)
- Insulation System - Class B, 130° C, UL 1446, E66312

Agency Certifications

- UL recognized to UL 506 / UL 5085-2, File # E63829
- CSA - NRTL/C22.2 #66.1, File # 221070



VA	Dimensions									Weight
	A	B	C	L	W	H	N	D	P	
Size	Inches (mm)									oz (kg)
2	1.60 (40.6)	0.37 (9.5)	0.37 (9.5)	1.87 (47.5)	1.56 (39.6)	0.65 (16.5)	-	0.041 x 0.020 (1.04 x 0.51)	-	5 (0.14)
6	1.60 (40.6)	0.37 (9.5)	0.37 (9.5)	1.87 (47.5)	1.56 (39.6)	0.85 (21.6)	-	0.041 x 0.020 (1.04 x 0.51)	-	7 (0.20)
12	2.00 (50.8)	0.50 (12.7)	0.50 (12.7)	2.50 (63.5)	2.00 (50.8)	1.06 (27.1)	-	0.041 x 0.020 (1.04 x 0.51)	-	11 (0.31)
24	1.90 (48.3)	0.60 (15.2)	0.53 (13.5)	2.87 (72.9)	2.25 (57.2)	1.25 (31.8)	2.41 (61.2)	0.041 SQ pin (1.04 SQ mm)	Clearance Hole for #4 Screw	15 (0.43)
48	2.18 (55.4)	0.60 (15.2)	0.66 (16.8)	3.12 (79.2)	2.50 (63.5)	1.37 (34.9)	2.62 (66.5)	0.041 SQ pin (1.04 SQ mm)	Clearance Hole for #6 Screw	21 (0.60)

Custom versions available upon request.



Toll Free 866-239-5777 | Tel 516-239-5777 | Fax 516-239-7208
sales@signaltransformer.com | techhelp@signaltransformer.com

belfuse.com/signal

FLATHEAD™ LOW PROFILE TRANSFORMERS

For Low Power and Critical Height Applications



Part Number	VA	Secondary RMS Rating	
	Size	Series	Parallel
LP-10-250	2	10 VCT @ 250 mA	5 V @ 500 mA
LP-10-600	6	10 VCT @ 600 mA	5 V @ 1.2 A
LP-10-1200	12	10 VCT @ 1200 mA	5 V @ 2.4 A
LP-10-2400	24	10 VCT @ 2.40 A	5 V @ 4.80 A
LP-10-4800	48	10 VCT @ 4.80 A	5 V @ 9.60 A
LP-12-200	2	12.6 VCT @ 200 mA	6.3 V @ 400 mA
LP-12-450	6	12.6 VCT @ 450 mA	6.3 V @ 900 mA
LP-12-900	12	12.6 VCT @ 900 mA	6.3 V @ 1.8 A
LP-12-1900	24	12.6 VCT @ 1.90 A	6.3 V @ 3.80 A
LP-12-3800	48	12.6 VCT @ 3.80 A	6.3 V @ 7.60 A
LP-16-150	2	16 VCT @ 150 mA	8 V @ 300 mA
LP-16-350	6	16 VCT @ 350 mA	8 V @ 700 mA
LP-16-700	12	16 VCT @ 700 mA	8 V @ 1.4 A
LP-16-1500	24	16 VCT @ 1.50 A	8 V @ 3.00 A
LP-16-3000	48	16 VCT @ 3.00 A	8 V @ 6.00 A
LP-20-125	2	20 VCT @ 125 mA	10 V @ 250 mA
LP-20-300	6	20 VCT @ 300 mA	10 V @ 600 mA
LP-20-600	12	20 VCT @ 600mA	10 V @ 1.2 A
LP-20-1200	24	20 VCT @ 1.20 A	10 V @ 2.40 A
LP-20-2400	48	20 VCT @ 2.40 A	10 V @ 4.80 A
LP-24-100	2	24 VCT @ 100 mA	12 V @ 200 mA
LP-24-250	6	24 VCT @ 250 mA	12 V @ 500 mA
LP-24-500	12	24 VCT @ 500 mA	12 V @ 1.00 A
LP-24-1000	24	24 VCT @ 1.00 A	12 V @ 2.00 A
LP-24-2000	48	24 VCT @ 2.00 A	12V @ 4.00 A

Part Number	VA	Secondary RMS Rating	
	Size	Series	Parallel
LP-30-85	2	30 VCT @ 85 mA	15 V @ 170 mA
LP-30-200	6	30 VCT @ 200 mA	15 V @ 400 mA
LP-30-400	12	30 VCT @ 400 mA	15 V @ 800 mA
LP-30-800	24	30 VCT @ 800 mA	15 V @ 1.60 A
LP-30-1600	48	30 VCT @ 1.60 A	15 V @ 3.20 A
LP-34-75	2	34 VCT @ 75 mA	17 V @ 150 mA
LP-34-170	6	34 VCT @ 170 mA	17 V @ 340 mA
LP-34-340	12	34 VCT @ 340 mA	17 V @ 680 mA
LP-34-700	24	34 VCT @ 700 mA	17 V @ 1.40 A
LP-34-1400	48	34 VCT @ 1.40 A	17 V @ 2.80 A
LP-40-60	2	40 VCT @ 60 mA	20 V @ 120 mA
LP-40-150	6	40 VCT @ 150 mA	20 V @ 300 mA
LP-40-300	12	40 VCT @ 300 mA	20 V @ 600 mA
LP-40-600	24	40 VCT @ 600 mA	20 V @ 1.20 A
LP-40-1200	48	40 VCT @ 1.20 A	20 V @ 2.40 A
LP-56-45	2	56 VCT @ 45 mA	28 V @ 90 mA
LP-56-100	6	56 VCT @ 100 mA	28 V @ 200 mA
LP-56-200	12	56 VCT @ 200 mA	28 V @ 400 mA
LP-56-425	24	56 VCT @ 425 mA	28 V @ 850 mA
LP-56-850	48	56 VCT @ 850 mA	28 V @ 1.70 A
LP-88-28	2	88 VCT @ 28 mA	44 V @ 56 mA
LP-88-65	6	88 VCT @ 65 mA	44 V @ 130 mA
LP-88-130	12	88 VCT @ 130 mA	44 V @ 260 mA
LP-120-20	2	120 VCT @ 20 mA	60 V @ 40 mA
LP-120-50	6	120 VCT @ 50 mA	60 V @ 100 mA
LP-120-100	12	120 VCT @ 100 mA	60 V @ 200 mA
LP-230-10	2	230 VCT @ 10 mA	115 V @ 20 mA
LP-230-25	6	230 VCT @ 25 mA	115 V @ 50 mA
LP-230-50	12	230 VCT @ 50mA	115 V @ 100 mA

Custom versions available upon request.

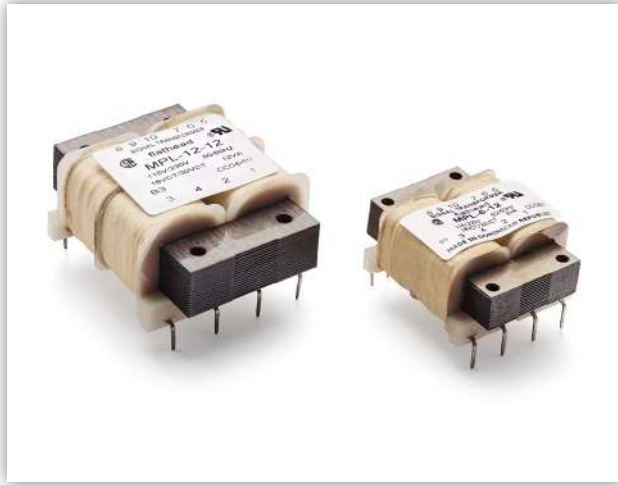


Toll Free 866-239-5777 | Tel 516-239-5777 | Fax 516-239-7208
 sales@signaltransformer.com | techhelp@signaltransformer.com

belfuse.com/signal

LOW PROFILE TRIPLE OUTPUT TRANSFORMERS

For 5 VDC and ± 12 VDC or ± 15 VDC Regulated Power Supplies



Signal's MPL Series transformers

General Specifications

- Power - 6 VA and 12 VA
- Dielectric Strength - 1500 Vrms Hipot
- Primaries - Dual primaries, 115/230 V nominal, 50/60 Hz, Input range 100 V to 130 V or 200 V to 260 V
- Secondaries - Dual complementary outputs, 5 VDC with ± 12 VDC or 5 VDC with ± 15 VDC
- Electrostatic shield - not necessary due to split bobbin construction
- Reduced magnetic radiation
- Height - 0.85" and 1.065" high
- Insulation System - Class B, 130° C, UL 1446 E66312

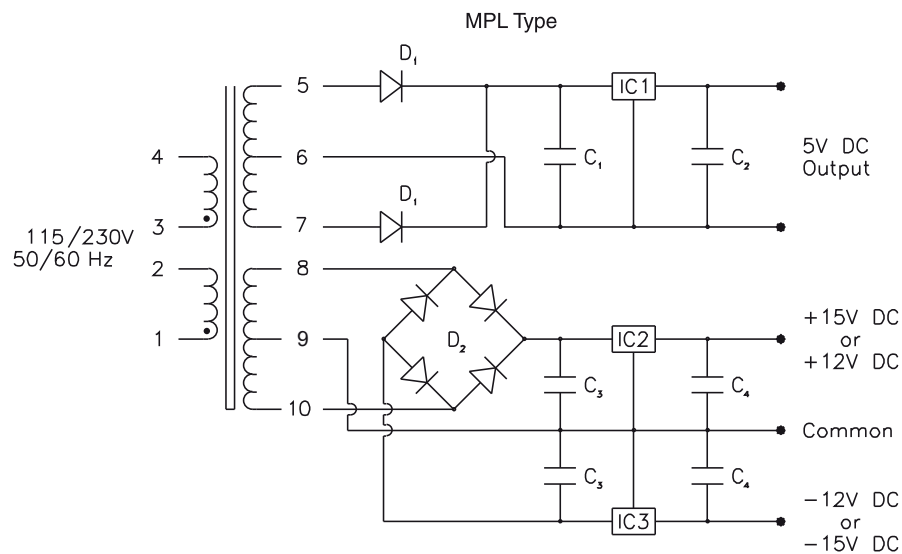
Agency Certifications

- UL recognized to UL 506 / UL 5085-2, File # E63829
- CSA certified to C22.2 #66.1, File # 221070



Part Number	DC Output		VA Size	Suggested Components							
	Regulator I	Regulator II		C ₁	C ₂	C ₃	C ₄	D ₁ (2)	D ₂ (4)	IC ₁ *	IC ₂ *
MPL-6-12	5 VDC @ 135 mA	± 12 VDC @ 40 mA	6	1000 MFD @ 20 V	2.7 MFD @ 20 V	150 MFD @ 50 V	10 MFD @ 20 V	1N4001	1N4002	LM342P-5.0	LM326N
MPL-6-15	5 VDC @ 135 mA	± 15 VDC @ 35 mA	6	1000 MFD @ 20 V	2.7 MFD @ 20 V	150 MFD @ 50 V	10 MFD @ 20 V	1N4001	1N4002	LM342P-5.0	LM325N
MPL-12-12	5 VDC @ 270 mA	± 12 VDC @ 85 mA	12	2100 MFD @ 30 V	2.7 MFD @ 20 V	250 MFD @ 50 V	10 MFD @ 20 V	1N4001	1N4002	LM341P-5.0	LM326N
MPL-12-15	5 VDC @ 270 mA	± 15 VDC @ 70 mA	12	2100 MFD @ 30 V	2.7 MFD @ 20 V	250 MFD @ 50 V	10 MFD @ 20 V	1N4001	1N4002	LM341P-5.0	LM325N

* National Semiconductor



Custom versions available upon request.

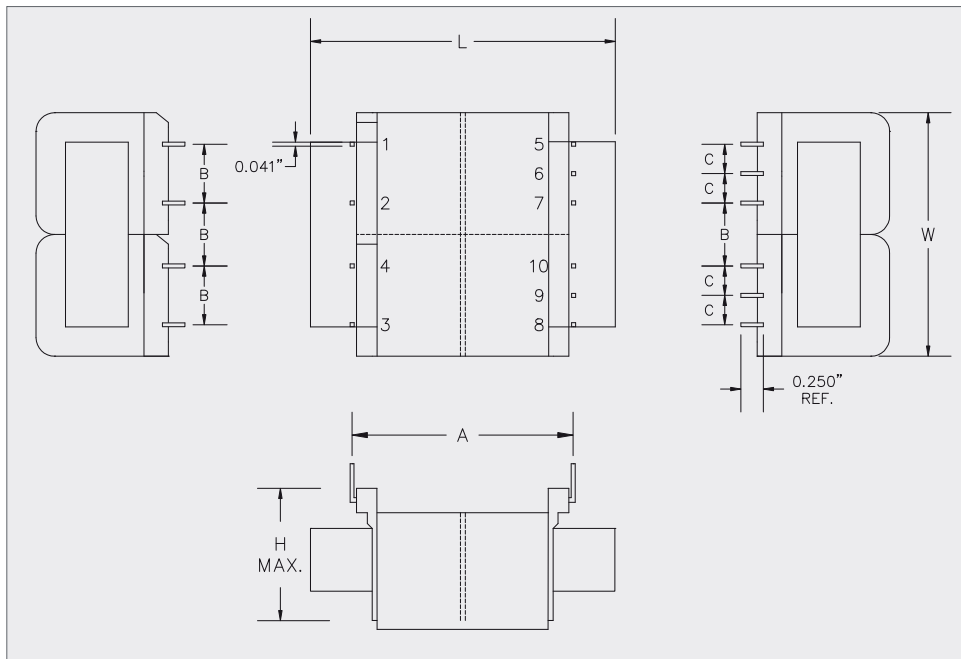
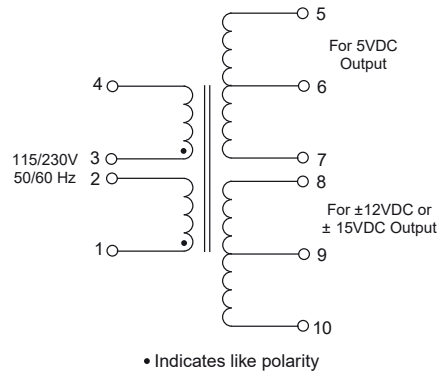


Toll Free 866-239-5777 | Tel 516-239-5777 | Fax 516-239-7208
sales@signaltransformer.com | techhelp@signaltransformer.com

belfuse.com/signal

LOW PROFILE TRIPLE OUTPUT TRANSFORMERS

For 5 VDC and ± 12 VDC or ± 15 VDC Regulated Power Supplies



VA	Dimensions						Weight
	L	W	H	A	B	C	
Size	Inches (mm)						lbs (kg)
6	1.87 (47.6)	1.56 (39.7)	0.85 (21.6)	1.60 (40.6)	0.37 (9.5)	0.18 (4.7)	0.43 (0.20)
12	2.50 (63.5)	2.00 (50.8)	1.06 (27.1)	2.00 (50.8)	0.50 (12.7)	0.25 (6.4)	0.68 (0.31)

Custom versions available upon request.



Toll Free 866-239-5777 | Tel 516-239-5777 | Fax 516-239-7208
sales@signaltransformer.com | techhelp@signaltransformer.com

belfuse.com/signal

INTERNATIONAL FLATHEAD™ LOW PROFILE TRANSFORMERS

For Critical Height and International Safety Requirements

Printed Circuit Mount



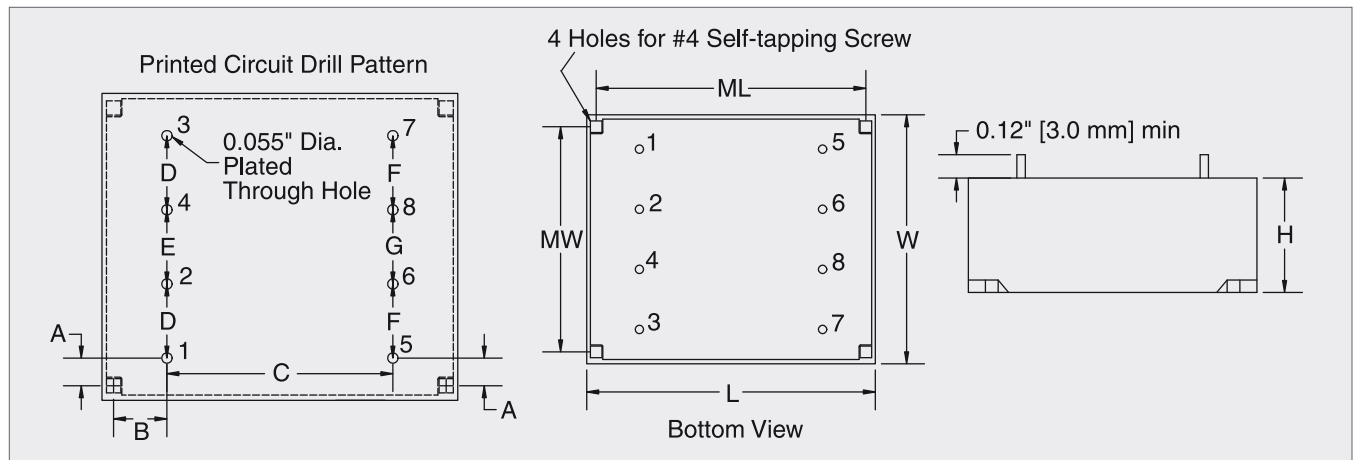
Signal's IF transformers utilize unique insulating techniques including full encapsulation to meet international safety requirements. These transformers are ideal for low power applications where minimum height and reduced magnetic radiation are required.

General Specifications

- Power - 2 VA to 30 VA
- Dielectric Strength - 4000 Vrms Hipot
- Dual Primaries - 115/230 V, 50/60 Hz
- Dual Secondaries - Series or parallel
- Height - 0.69" to 1.39" (17.5 mm to 35.3 mm) height
- Insulation System - Class B, 130° C

Agency Certifications

- UL 1446 (E66312)
- UL recognized to UL 506 / UL 5085-2, File # E63829
- CSA certified to C22.2 #66.1, File # 221070
- VDE certified to VDE 0805 / EN 60950, File # 8325



VA	L	W	H	ML	MW	A	B	C	D	E	F	G	Weight
Size	Inches (mm)												oz (kg)
2	2.09 (53.0)	1.73 (44.0)	0.69 (17.6)	1.87 (47.5)	1.48 (37.5)	0.05 (1.3)	0.25 (6.3)	1.38 (35.0)	0.39 (10.0)	0.39 (10.0)	0.59 (15.0)	0.19 (5.0)	4.6 (0.13)
4	2.09 (53.0)	1.73 (44.0)	0.77 (19.6)	1.87 (47.5)	1.48 (37.5)	0.05 (1.3)	0.25 (6.3)	1.38 (35.0)	0.39 (10.0)	0.39 (10.0)	0.59 (15.0)	0.19 (5.0)	5.4 (0.15)
6	2.09 (53.0)	1.73 (44.0)	0.89 (22.6)	1.87 (47.5)	1.48 (37.5)	0.05 (1.3)	0.25 (6.3)	1.38 (35.0)	0.39 (10.0)	0.39 (10.0)	0.59 (15.0)	0.19 (5.0)	6.9 (0.20)
10	2.66 (67.6)	2.24 (57.0)	0.89 (22.6)	2.46 (62.5)	1.97 (50.0)	0.28 (7.1)	0.34 (8.8)	1.77 (45.0)	0.59 (15.0)	0.43 (10.9)	0.39 (10.0)	0.63 (15.9)	10.3 (0.29)
14	2.66 (67.6)	2.24 (57.0)	0.96 (24.3)	2.46 (62.5)	1.97 (50.0)	0.28 (7.1)	0.34 (8.8)	1.77 (45.0)	0.59 (15.0)	0.43 (10.9)	0.39 (10.0)	0.63 (15.9)	11.9 (0.34)
18	2.66 (67.6)	2.24 (57.0)	1.09 (27.6)	2.46 (62.5)	1.97 (50.0)	0.28 (7.1)	0.34 (8.8)	1.77 (45.0)	0.59 (15.0)	0.43 (10.9)	0.39 (10.0)	0.63 (15.9)	14.1 (0.40)
24	2.68 (68.0)	2.26 (57.5)	1.23 (31.3)	2.46 (62.5)	1.97 (50.0)	0.28 (7.1)	0.34 (8.8)	1.77 (45.0)	0.59 (15.0)	0.43 (10.9)	0.39 (10.0)	0.63 (15.9)	16.5 (0.47)
30	2.68 (68.0)	2.26 (57.5)	1.39 (35.3)	2.46 (62.5)	1.97 (50.0)	0.28 (7.1)	0.34 (8.8)	1.77 (45.0)	0.59 (15.0)	0.43 (10.9)	0.39 (10.0)	0.63 (15.9)	19.7 (0.58)

Custom versions available upon request.

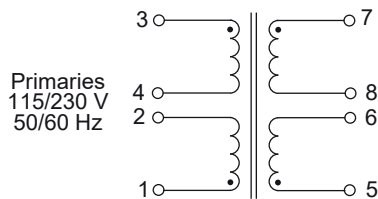


Toll Free 866-239-5777 | Tel 516-239-5777 | Fax 516-239-7208
sales@signaltransformer.com | techhelp@signaltransformer.com

belfuse.com/signal

INTERNATIONAL FLATHEAD™ LOW PROFILE TRANSFORMERS

For Critical Height and International Safety Requirements



• Indicates like polarity

Part Number	VA Size	Secondary RMS Rating	
		Series	Parallel
IF-2-10	2	10 VCT @ 200 mA	5 V @ 400 mA
IF-2-12	2	12 VCT @ 170 mA	6 V @ 340 mA
IF-2-16	2	16 VCT @ 125 mA	8 V @ 250 mA
IF-2-20	2	20 VCT @ 100 mA	10 V @ 200 mA
IF-2-24	2	24 VCT @ 85 mA	12 V @ 170 mA
IF-2-30	2	30 VCT @ 70 mA	15 V @ 140 mA
IF-2-34	2	34 VCT @ 60 mA	17 V @ 120 mA
IF-2-40	2	40 VCT @ 50 mA	20 V @ 100 mA
IF-2-56	2	56 VCT @ 40 mA	28 V @ 80 mA
IF-2-230	2	230 VCT @ 9 mA	115 V @ 18 mA
IF-4-10	4	10 VCT @ 400 mA	5 V @ 800 mA
IF-4-12	4	12 VCT @ 335 mA	6 V @ 670 mA
IF-4-16	4	16 VCT @ 250 mA	8 V @ 500 mA
IF-4-20	4	20 VCT @ 200 mA	10 V @ 400 mA
IF-4-24	4	24 VCT @ 170 mA	12 V @ 340 mA
IF-4-30	4	30 VCT @ 135 mA	15 V @ 270 mA
IF-4-34	4	34 VCT @ 120 mA	17 V @ 240 mA
IF-4-40	4	40 VCT @ 100 mA	20 V @ 200 mA
IF-4-56	4	56 VCT @ 70 mA	28 V @ 140 mA
IF-4-230	4	230 VCT @ 18 mA	115 V @ 36 mA
IF-6-10	6	10 VCT @ 600 mA	5 V @ 1.20 A
IF-6-12	6	12 VCT @ 500 mA	6 V @ 1.00 A
IF-6-16	6	16 VCT @ 375 mA	8 V @ 750 mA
IF-6-20	6	20 VCT @ 300 mA	10 V @ 600 mA
IF-6-24	6	24 VCT @ 250 mA	12 V @ 500 mA
IF-6-30	6	30 VCT @ 200 mA	15 V @ 400 mA
IF-6-34	6	34 VCT @ 180 mA	17 V @ 360 mA
IF-6-40	6	40 VCT @ 150 mA	20 V @ 300 mA
IF-6-56	6	56 VCT @ 110 mA	28 V @ 220 mA
IF-6-230	6	230 VCT @ 25 mA	115 V @ 50 mA

Part Number	VA Size	Secondary RMS Rating	
		Series	Parallel
IF-10-10	10	10 VCT @ 1.00 A	5 V @ 2.00 A
IF-10-12	10	12 VCT @ 835 mA	6 V @ 1.67 A
IF-10-16	10	16 VCT @ 625 mA	8 V @ 1.25 A
IF-10-20	10	20 VCT @ 500 mA	10 V @ 1.00 A
IF-10-24	10	24 VCT @ 420 mA	12 V @ 840 mA
IF-10-30	10	30 VCT @ 335 mA	15 V @ 670 mA
IF-10-34	10	34 VCT @ 300 mA	17 V @ 600 mA
IF-10-40	10	40 VCT @ 250 mA	20 V @ 500 mA
IF-10-56	10	56 VCT @ 180 mA	28 V @ 360 mA
IF-10-230	10	230 VCT @ 45 mA	115 V @ 90 mA
IF-14-10	14	10 VCT @ 1.40 A	5 V @ 2.80 A
IF-14-12	14	12 VCT @ 1.20 A	6 V @ 2.40 A
IF-14-16	14	16 VCT @ 875 mA	8 V @ 1.75 A
IF-14-20	14	20 VCT @ 700 mA	10 V @ 1.40 A
IF-14-24	14	24 VCT @ 600 mA	12 V @ 1.20 A
IF-14-30	14	30 VCT @ 470 mA	15 V @ 940 mA
IF-14-34	14	34 VCT @ 415 mA	17 V @ 830 mA
IF-14-40	14	40 VCT @ 350 mA	20 V @ 700 mA
IF-14-56	14	56 VCT @ 250 mA	28 V @ 500 mA
IF-14-230	14	230 VCT @ 60 mA	115 V @ 120 mA
IF-18-10	18	10 VCT @ 1.80 A	5 V @ 3.6 A
IF-18-12	18	12 VCT @ 1.50 A	6 V @ 3.00 A
IF-18-16	18	16 VCT @ 1.15 A	8 V @ 2.30 A
IF-18-20	18	20 VCT @ 900 mA	10 V @ 1.80 A
IF-18-24	18	24 VCT @ 750 mA	12 V @ 1.50 A
IF-18-30	18	30 VCT @ 600 mA	15 V @ 1.20 A
IF-18-34	18	34 VCT @ 530 mA	17 V @ 1.06 A
IF-18-40	18	40 VCT @ 450 mA	20 V @ 900 mA
IF-18-56	18	56 VCT @ 320 mA	28 V @ 640 mA
IF-18-230	18	230 VCT @ 80 mA	115 V @ 160 mA

Part Number	VA Size	Secondary RMS Rating	
		Series	Parallel
IF-24-10	24	10 VCT @ 2.40 A	5 V @ 4.80 A
IF-24-12	24	12 VCT @ 2.00 A	6 V @ 4.00 A
IF-24-16	24	16 VCT @ 1.50 A	8 V @ 3.00 A
IF-24-20	24	20 VCT @ 1.20 A	10 V @ 2.40 A
IF-24-24	24	24 VCT @ 1.00 A	12 V @ 2.00 A
IF-24-30	24	30 VCT @ 800 mA	15 V @ 1.60 A
IF-24-34	24	34 VCT @ 700 mA	17 V @ 1.40 A
IF-24-40	24	40 VCT @ 600 mA	20 V @ 1.20 A
IF-24-56	24	56 VCT @ 430 mA	28 V @ 860 mA
IF-24-230	24	230 VCT @ 105 mA	115 V @ 210 mA
IF-30-10	30	10 VCT @ 3.00 A	5 V @ 6.00 A
IF-30-12	30	12 VCT @ 2.50 A	6 V @ 5.00 A
IF-30-16	30	16 VCT @ 1.90 A	8 V @ 3.80 A
IF-30-20	30	20 VCT @ 1.50 A	10 V @ 3.00 A
IF-30-24	30	24 VCT @ 1.25 A	12 V @ 2.50 A
IF-30-30	30	30 VCT @ 1.00 A	15 V @ 2.00 A
IF-30-34	30	34 VCT @ 900 mA	17 V @ 1.80 A
IF-30-40	30	40 VCT @ 750 mA	20 V @ 1.50 A
IF-30-56	30	56 VCT @ 550 mA	28 V @ 1.10 A
IF-30-230	30	230 VCT @ 130 mA	115 V @ 260 mA

Custom versions available upon request.



Toll Free 866-239-5777 | Tel 516-239-5777 | Fax 516-239-7208
sales@signaltransformer.com | techhelp@signaltransformer.com

belfuse.com/signal

LOW PROFILE INTERNATIONAL TRANSFORMERS - ENCAPSULATED

Direct Plug-in Replacement for Original FlatHead™ Design



Features and Benefits

- Encapsulated in order to meet harsh environmental conditions
- Rigid pin construction for easier board insertion and higher reliability
- Mounting holes provided for greater resistance to shock and vibration
- Improved electrical characteristics - regulation, temperature rise and efficiency.
- Reduced magnetic radiation

General Specifications

- Power - 2.5 VA to 18 VA
- Dielectric Strength - 4000 Vrms Hipot
- Primaries - Dual primaries, 115/230 V - 50/60 Hz
- Secondaries - Series or parallel
- Height - 1.050" to 1.22"
- Insulation System - Class B, 130° C

Agency Certifications

- UL recognized to UL 506 / UL 5085-2, File # E63829
- CSA certified to C22.2 #66.1, File # 221070
- TUV Rheinland Certified IEC / EN 60950, License # 744985

Part Number	VA	Secondary RMS Rating	
	Size	Series	Parallel
10-250-LPI	2.5	10 VCT @ 250 mA	5 V @ 500 mA
12-200-LPI	2.5	12.6 VCT @ 200 mA	6.3 V @ 400 mA
16-150-LPI	2.5	16 VCT @ 150 mA	8 V @ 300 mA
20-125-LPI	2.5	20 VCT @ 125 mA	10 V @ 250 mA
24-100-LPI	2.5	24 VCT @ 100 mA	12 V @ 200 mA
30-85-LPI	2.5	30 VCT @ 85 mA	15 V @ 170 mA
34-75-LPI	2.5	34 VCT @ 75 mA	17 V @ 150 mA
40-60-LPI	2.5	40 VCT @ 60 mA	20 V @ 120 mA
56-45-LPI	2.5	56 VCT @ 45 mA	28 V @ 90 mA
230-10-LPI	2.5	230 VCT @ 10 mA	115 V @ 20 mA
10-600-LPI	6	10 VCT @ 600 mA	5 V @ 1.2 A
12-450-LPI	6	12.6 VCT @ 450 mA	6.3 V @ 900 mA
16-350-LPI	6	16 VCT @ 350 mA	8 V @ 700 mA
20-300-LPI	6	20 VCT @ 300 mA	10 V @ 600 mA
24-250-LPI	6	24 VCT @ 250 mA	12 V @ 500 mA
30-200-LPI	6	30 VCT @ 200 mA	15 V @ 400 mA
34-170-LPI	6	34 VCT @ 170 mA	17 V @ 340 mA
40-150-LPI	6	40 VCT @ 150 mA	20 V @ 300 mA
56-100-LPI	6	56 VCT @ 100 mA	28 V @ 200 mA
230-25-LPI	6	230 VCT @ 25 mA	115 V @ 50 mA
10-900-LPI	9	10 VCT @ 900 mA	5 V @ 1.8 A
12-725-LPI	9	12.6 VCT @ 725 mA	6.3 V @ 1.45 A
16-560-LPI	9	16 VCT @ 560 mA	8V @ 1.12 A
20-450-LPI	9	20 VCT @ 450 mA	10 V @ 900 mA
24-375-LPI	9	24 VCT @ 375 mA	12 V @ 750 mA

Part Number	VA	Secondary RMS Rating	
	Size	Series	Parallel
30-300-LPI	9	30 VCT @ 300 mA	15 V @ 600 mA
34-265-LPI	9	34 VCT @ 265 mA	17 V @ 530 mA
40-225-LPI	9	40 VCT @ 225 mA	20 V @ 450 mA
56-160-LPI	9	56 VCT @ 160 mA	28 V @ 320 mA
230-40-LPI	9	230 VCT @ 40 mA	115 V @ 80 mA
10-1200-LPI	12	10 VCT @ 1.2 A	5 V @ 2.4 A
12-900-LPI	12	12.6 VCT @ 900 mA	6.3 V @ 1.8 A
16-700-LPI	12	16 VCT @ 700 mA	8 V @ 1.4 A
20-600-LPI	12	20 VCT @ 600 mA	10 V @ 1.2 A
24-500-LPI	12	24 VCT @ 500 mA	12 V @ 1 A
30-400-LPI	12	30 VCT @ 400 mA	15 V @ 800 mA
34-340-LPI	12	34 VCT @ 340 mA	17 V @ 680 mA
40-300-LPI	12	40 VCT @ 300 mA	20 V @ 600 mA
56-200-LPI	12	56 VCT @ 200 mA	28 V @ 400 mA
230-50-LPI	12	230 VCT @ 50 mA	115 V @ 100 mA
10-1800-LPI	18	10 VCT @ 1.8 A	5 V @ 3.6 A
12-1500-LPI	18	12.6 VCT @ 1.5 A	6.3 V @ 3 A
16-1100-LPI	18	16 VCT @ 1.1 A	8 V @ 2.2 A
20-900-LPI	18	20 VCT @ 900 mA	10 V @ 1.8 A
24-750-LPI	18	24 VCT @ 750 mA	12 V @ 1.5 A
30-600-LPI	18	30 VCT @ 600 mA	15 V @ 1.2 A
34-500-LPI	18	34 VCT @ 500 mA	17 V @ 1 A
40-450-LPI	18	40 VCT @ 450 mA	20 V @ 900 mA
56-320-LPI	18	56 VCT @ 320 mA	28 V @ 640 mA
230-75-LPI	18	230 VCT @ 75 mA	115 V @ 150 mA

Custom versions available upon request.

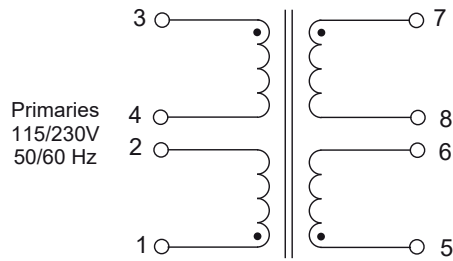


Toll Free 866-239-5777 | Tel 516-239-5777 | Fax 516-239-7208
sales@signaltransformer.com | techhelp@signaltransformer.com

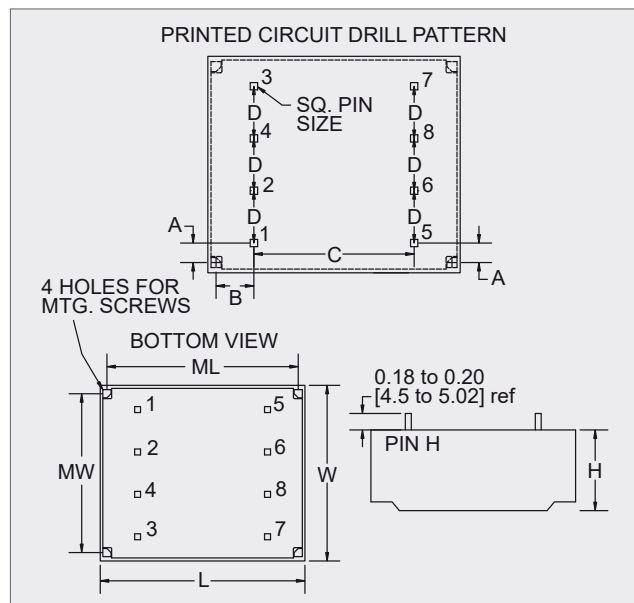
belfuse.com/signal

LOW PROFILE INTERNATIONAL TRANSFORMERS - ENCAPSULATED

Direct Plug-in Replacement for Original FlatHead™ Design



• Indicates like polarity



VA	Dimensions									Weight	Self Tap Screw Size	Pin Size
	A	B	C	D	L	W	H	ML	MW			
Size	Inches (mm)									lbs (kg)		Inches (mm)
2.5	0.19 (4.8)	0.29 (7.2)	1.61 (40.9)	0.37 (9.4)	2.37 (60.2)	1.65 (42.1)	0.72 (18.3)	2.19 (55.6)	1.50 (38.1)	0.27 (0.12)	#4	.025 (.635)
6	0.19 (4.8)	0.29 (7.2)	1.61 (40.9)	0.37 (9.4)	2.37 (60.2)	1.65 (42.1)	0.89 (22.7)	2.19 (55.6)	1.50 (38.1)	0.39 (0.17)	#4	.025 (.635)
9	0.19 (4.8)	0.29 (7.2)	1.61 (40.9)	0.37 (9.4)	2.37 (60.2)	1.65 (42.1)	1.08 (27.4)	2.19 (55.6)	1.50 (38.1)	0.51 (0.23)	#4	.025 (.635)
12	0.22 (5.6)	0.20 (5.1)	2.02 (51.3)	0.50 (12.7)	2.63 (66.8)	2.19 (55.6)	1.06 (26.6)	2.38 (60.4)	1.94 (49.2)	0.75 (0.34)	#6	.036 (.914)
18	0.22 (5.6)	0.20 (5.1)	2.02 (51.3)	0.50 (12.7)	2.63 (66.8)	2.19 (55.6)	1.18 (30.0)	2.38 (60.4)	1.94 (49.2)	0.95 (0.43)	#6	.036 (.914)

Custom versions available upon request.



Toll Free 866-239-5777 | Tel 516-239-5777 | Fax 516-239-7208
sales@signaltransformer.com | techhelp@signaltransformer.com

belfuse.com/signal

SPLIT/TRAN™, SPECIALTY PURPOSE & CLASS 2 TRANSFORMERS

Split Bobbin with High Isolation



Signal's ST and DST transformers use a split bobbin that provides superior isolation and low capacitive coupling.

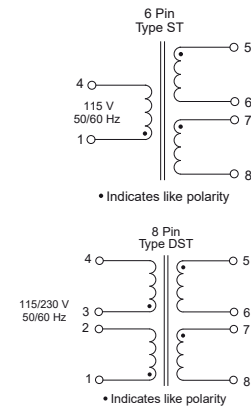
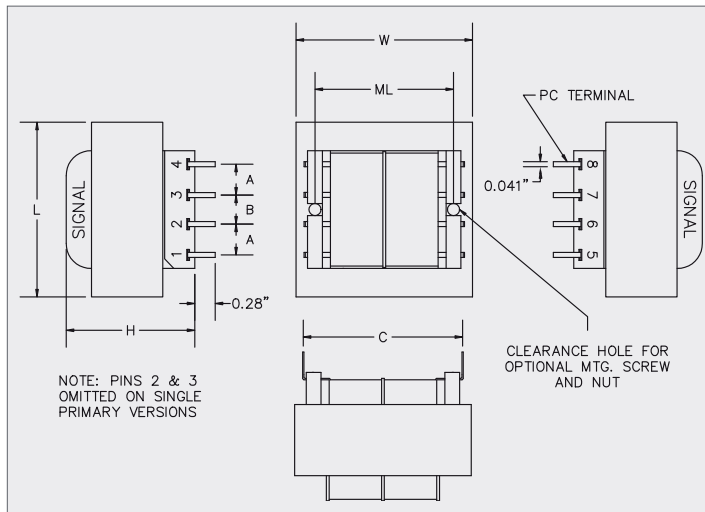
General Specifications

- Power - 1.1 VA to 36 VA
- Dielectric Strength - 2500 Vrms Hipot
- Primaries - Single or dual primaries, 115 V or 115/230 V, 50/60 Hz
- Secondaries - Series or parallel
- Electrostatic Shield - Not necessary, split bobbin construction
- Insulation System - Class B, 130° C
- Mounting Hardware - see chart

Agency Certifications

- UL 1446 Class B insulation systems, File # E66312
- UL Recognized 506 / UL 5085-1, 2, File # E63829
- CSA certified to C22.2 #66.1, File # 221070
- cCSAus certified to C22.2 #66.3 / UL 5085-3, File #221070
- Class 2 - marked with (*) or (**) or (#)

** CSA certified as Inherently Limited
 * CSA certified as Non Inherently Limited - see recommended fuse rating
 # UL Recognized UL5085-3, Inherently Limited File # E116583



Size	VA	L	W	H	ML	A	B	C	Optional Mounting Screw & Nut •	Weight
										lbs (kg)
Inches (mm)										
2	1.1	1.37 (34.9)	1.12 (28.6)	0.97 (24.6)	-	0.25 (6.4)	0.25 (6.4)	1.20 (30.5)	-	0.17 (0.08)
3	2.4	1.37 (34.9)	1.12 (28.6)	1.21 (30.8)	-	0.25 (6.4)	0.25 (6.4)	1.20 (30.5)	-	0.25 (0.11)
4	6	1.62 (41.3)	1.31 (33.3)	1.31 (33.3)	1.06 (26.9)	0.25 (6.4)	0.35 (8.9)	1.25 (31.8)	Nylon 4-40 x 1.37(4-40 x 34.9)	0.44 (0.20)
5	12	1.91 (48.4)	1.59 (40.4)	1.45 (36.9)	1.25 (31.8)	0.30 (7.6)	0.40 (10.2)	1.41 (35.8)	Nylon 4-40 x 1.37 (4-40 x 34.9)	0.70 (0.32)
6	20	2.25 (57.2)	1.88 (47.8)	1.45 (36.9)	1.50 (38.1)	0.30 (7.6)	0.40 (10.2)	1.60 (40.6)	Nylon 4-40 x 1.37 (4-40 x 34.9)	0.80 (0.36)
7	36	2.62 (66.7)	2.18 (55.5)	1.59 (40.4)	••	0.40 (10.2)	0.40 (10.2)	1.85 (47.0)	••	1.1 (0.50)

- Available from Signal, part numbers ST-MS (screw) and ST-MN (nut).
- Size 7 has 4 mounting holes on 2.18 x 1.75 centers for #6 screws.
- ** Inherently Limited
- * Non Inherently Limited

Custom versions available upon request.



Toll Free 866-239-5777 | Tel 516-239-5777 | Fax 516-239-7208
 sales@signaltransformer.com | techhelp@signaltransformer.com

belfuse.com/signal

SPLIT/TRAN™, SPECIALTY PURPOSE & CLASS 2 TRANSFORMERS

Split Bobbin with High Isolation



Part Number		Secondary RMS Rating	
Single 115 V 6 Pin	Dual 115/230 V 8 Pin	Series	Parallel
ST-2-10**	DST-2-10**	10 VCT @ 0.11 A	5 V @ 0.22 A
ST-3-10*	DST-3-10*	10 VCT @ 0.25 A (5)	5 V @ 0.5 A (9)
ST-4-10*	DST-4-10*	10 VCT @ 0.6 A (9)	5 V @ 1.2 A (11)
ST-5-10*	DST-5-10*	10 VCT @ 1.2 A (11)	5 V @ 2.4 A (13)
ST-6-10	DST-6-10	10 VCT @ 2.0 A	5 V @ 4.0 A
ST-7-10	DST-7-10	10 VCT @ 3.6 A	5 V @ 7.2 A
ST-2-12**	DST-2-12**	12.6 VCT @ 0.09 A	6.3 V @ 0.18 A
ST-3-12*	DST-3-12*	12.6 VCT @ 0.2 A (4)	6.3 V @ 0.4 A (8)
ST-4-12*	DST-4-12*	12.6 VCT @ 0.5 A (9)	6.3 V @ 1.0 A (11)
ST-5-12*	DST-5-12*	12.6 VCT @ 1.0 A (11)	6.3 V @ 2.0 A (13)
ST-6-12	DST-6-12	12.6 VCT @ 1.6 A	6.3 V @ 3.2 A
ST-7-12	DST-7-12	12.6 VCT @ 2.85 A	6.3 V @ 5.7 A
ST-2-16**	DST-2-16**	16 VCT @ 0.07 A	8 V @ 0.14 A
ST-3-16*	DST-3-16*	16 VCT @ 0.15 A (3)	8 V @ 0.3 A (6)
ST-4-16*	DST-4-16*#	16 VCT @ 0.4 A (7)	8 V @ 0.8 A (10)
ST-5-16*	DST-5-16*	16 VCT @ 0.8 A (10)	8 V @ 1.6 A (12)
ST-6-16	DST-6-16	16 VCT @ 1.25 A	8 V @ 2.5 A
ST-7-16	DST-7-16	16 VCT @ 2.25 A	8 V @ 4.5 A
ST-2-20**	DST-2-20**	20 VCT @ 0.055 A	10 V @ 0.11 A
ST-3-20*	DST-3-20*	20 VCT @ 0.12 A (2)	10 V @ 0.24 A (5)
ST-4-20*	DST-4-20*	20 VCT @ 0.3 A (6)	10 V @ 0.6 A (9)
ST-5-20*	DST-5-20*	20 VCT @ 0.6 A (9)	10 V @ 1.2 A (11)
ST-6-20	DST-6-20	20 VCT @ 1.0 A	10 V @ 2.0 A
ST-7-20	DST-7-20	20 VCT @ 1.8 A	10 V @ 3.6 A
ST-2-24**	DST-2-24**	24 VCT @ 0.045 A	12 V @ 0.09 A
ST-3-24*	DST-3-24*	24 VCT @ 0.1 A (1)	12 V @ 0.2 A (4)
ST-4-24*	DST-4-24*#	24 VCT @ 0.25 A (5)	12 V @ 0.5 A (9)
ST-5-24*	DST-5-24*#	24 VCT @ 0.5 A (9)	12 V @ 1.0 A (11)
ST-6-24	DST-6-24	24 VCT @ 0.8 A	12 V @ 1.6 A
ST-7-24	DST-7-24	24 VCT @ 1.5 A	12 V @ 3.0 A

Part Number		Secondary RMS Rating	
Single 115 V 6 Pin	Dual 115/230 V 8 Pin	Series	Parallel
ST-2-28	DST-2-28	28 VCT @ 0.04 A	14 V @ 0.08 A
ST-3-28	DST-3-28	28 VCT @ 0.085 A	14 V @ 0.17 A
ST-4-28	DST-4-28	28 VCT @ 0.2 A	14 V @ 0.4 A
ST-5-28	DST-5-28	28 VCT @ 0.42 A	14 V @ 0.84 A
ST-6-28	DST-6-28	28 VCT @ 0.7 A	14 V @ 1.4 A
ST-7-28	DST-7-28	28 VCT @ 1.3 A	14 V @ 2.6 A
ST-2-36	DST-2-36	36 VCT @ 0.03 A	18 V @ 0.06 A
ST-3-36	DST-3-36	36 VCT @ 0.065 A	18 V @ 0.13 A
ST-4-36	DST-4-36	36 VCT @ 0.17 A	18 V @ 0.34 A
ST-5-36	DST-5-36	36 VCT @ 0.35 A	18 V @ 0.7 A
ST-6-36	DST-6-36	36 VCT @ 0.55 A	18 V @ 1.1 A
ST-7-36	DST-7-36	36 VCT @ 1.0 A	18 V @ 2.0 A
ST-2-48	DST-2-48	48 VCT @ 0.023 A	24 V @ 0.046 A
ST-3-48	DST-3-48	48 VCT @ 0.05 A	24 V @ 0.1 A
ST-4-48	DST-4-48	48 VCT @ 0.125 A	24 V @ 0.25 A
ST-5-48	DST-5-48	48 VCT @ 0.25 A	24 V @ 0.5 A
ST-6-48	DST-6-48	48 VCT @ 0.4 A	24 V @ 0.8 A
ST-7-48	DST-7-48	48 VCT @ 0.75 A	24 V @ 1.5 A
ST-2-56	DST-2-56	56 VCT @ 0.02 A	28 V @ 0.04 A
ST-3-56	DST-3-56	56 VCT @ 0.045 A	28 V @ 0.09 A
ST-4-56	DST-4-56	56 VCT @ 0.11 A	28 V @ 0.22 A
ST-5-56	DST-5-56	56 VCT @ 0.22 A	28 V @ 0.44 A
ST-6-56	DST-6-56	56 VCT @ 0.35 A	28 V @ 0.7 A
ST-7-56	DST-7-56	56 VCT @ 0.65A	28 V @ 1.3 A
ST-2-120	DST-2-120	120 VCT @ 0.01 A	60 V @ 0.02 A
ST-3-120	DST-3-120	120 VCT @ 0.02 A	60 V @ 0.04 A
ST-4-120	DST-4-120	120 VCT @ 0.05 A	60 V @ 0.1 A
ST-5-120	DST-5-120	120 VCT @ 0.1 A	60 V @ 0.2 A
ST-6-120	DST-6-120	120 VCT @ 0.16 A	60 V @ 0.32 A
ST-7-120	DST-7-120	120 VCT @ 0.3 A	60 V @ 0.6 A

Recommended secondary fuse value specified as below:

(1)	(2)	(3)	(4)	(5)	(6)	(7)	(8)	(9)	(10)	(11)	(12)	(13)
0.125 A	0.15 A	0.25 A	0.3 A	0.375 A	0.4 A	0.5 A	0.6 A	0.75 A	1.0 A	1.5 A	2.0 A	3.0 A

See Accessories page for mounting screw information.

Custom versions available upon request.



Toll Free 866-239-5777 | Tel 516-239-5777 | Fax 516-239-7208
sales@signaltransformer.com | techhelp@signaltransformer.com

belfuse.com/signal

PRINTED CIRCUIT MOUNT POWER TRANSFORMERS

Miniature Low Power Transformers



Signal's PC low power transformers are designed to operate between 50 Hz and 500 Hz without any degradation in output voltage.

General Specifications

- Power - 1.0 VA to 24 VA
- Dielectric Strength - 1500 Vrms Hipot
- Primaries - Single or dual primaries, 115 V or 115/230 V, 50-500 Hz
- Dual Secondaries - Series or parallel
- Insulation System - Class B, 130° C, UL 1446 E66312
- Mounting Brackets - see chart

Agency Certifications

- UL recognized to UL 506 / UL 5085-2, File # E63829
- CSA certified to C22.2 #66.1, File # 221070



Primary 50/500 Hz		VA	Secondary RMS Rating	
Single 115 V 6 Pin	Dual 115/230 V 8 Pin	Size	Series	Parallel
PC-10-90	DPC-10-90	1.0	10 VCT @ 90 mA	5 V @ 180 mA
PC-10-120	DPC-10-120	1.2	10 VCT @ 120 mA	5 V @ 240 mA
PC-10-440	DPC-10-440	4.4	10 VCT @ 440 mA	5 V @ 880 mA
PC-10-1000	DPC-10-1000	10.0	10 VCT @ 1.0 A	5 V @ 2.0 A
PC-10-2400	DPC-10-2400	24.0	10 VCT @ 2.4 A	5 V @ 4.8 A
PC-12-70	DPC-12-70	1.0	12.6 VCT @ 70 mA	6.3 V @ 140 mA
PC-12-100	DPC-12-100	1.2	12.6 VCT @ 100 mA	6.3 V @ 200 mA
PC-12-350	DPC-12-350	4.4	12.6 VCT @ 350 mA	6.3 V @ 700 mA
PC-12-800	DPC-12-800	10.0	12.6 VCT @ 800 mA	6.3 V @ 1.6 A
PC-12-2000	DPC-12-2000	24.0	12.6 VCT @ 2.0 A	6.3 V @ 4.0 A
PC-16-55	DPC-16-55	1.0	16 VCT @ 55 mA	8 V @ 110 mA
PC-16-75	DPC-16-75	1.2	16 VCT @ 75 mA	8 V @ 150 mA
PC-16-260	DPC-16-260	4.4	16 VCT @ 260 mA	8 V @ 520 mA
PC-16-640	DPC-16-640	10.0	16 VCT @ 640 mA	8 V @ 1.28 A
PC-16-1500	DPC-16-1500	24.0	16 VCT @ 1.50 A	8 V @ 3.0 A
PC-20-45	DPC-20-45	1.0	20 VCT @ 45 mA	10 V @ 90 mA
PC-20-60	DPC-20-60	1.2	20 VCT @ 60 mA	10 V @ 120 mA
PC-20-220	DPC-20-220	4.4	20 VCT @ 220 mA	10 V @ 440 mA
PC-20-500	DPC-20-500	10.0	20 VCT @ 500 mA	10 V @ 1.0 A
PC-20-1200	DPC-20-1200	24.0	20 VCT @ 1.20 A	10 V @ 2.40 A
PC-24-35	DPC-24-35	1.0	24 VCT @ 35 mA	12 V @ 70 mA
PC-24-50	DPC-24-50	1.2	24 VCT @ 50 mA	12 V @ 100 mA
PC-24-180	DPC-24-180	4.4	24 VCT @ 180 mA	12 V @ 360 mA
PC-24-450	DPC-24-450	10.0	24 VCT @ 450 mA	12 V @ 900 mA
PC-24-1000	DPC-24-1000	24.0	24 VCT @ 1.0 A	12 V @ 2.0 A

Primary 50/500 Hz		VA	Secondary RMS Rating	
Single 115 V 6 Pin	Dual 115/230 V 8 Pin	Size	Series	Parallel
PC-28-30	DPC-28-30	1.0	28 VCT @ 30 mA	14 V @ 60 mA
PC-28-40	DPC-28-40	1.2	28 VCT @ 40 mA	14 V @ 80 mA
PC-28-160	DPC-28-160	4.4	28 VCT @ 160 mA	14 V @ 320 mA
PC-28-360	DPC-28-360	10.0	28 VCT @ 360 mA	14 V @ 720 mA
PC-28-800	DPC-28-800	24.0	28 VCT @ 800 mA	14 V @ 1.60 A
PC-34-25	DPC-34-25	1.0	34 VCT @ 25 mA	17 V @ 50 mA
PC-34-35	DPC-34-35	1.2	34 VCT @ 35 mA	17 V @ 70 mA
PC-34-125	DPC-34-125	4.4	34 VCT @ 125mA	17 V @ 250 mA
PC-34-300	DPC-34-300	10.0	34 VCT @ 300 mA	17 V @ 600 mA
PC-34-700	DPC-34-700	24.0	34 VCT @ 700 mA	17 V @ 1.40 A
PC-40-20	DPC-40-20	1.0	40 VCT @ 20 mA	20 V @ 40 mA
PC-40-30	DPC-40-30	1.2	40 VCT @ 30 mA	20 V @ 60 mA
PC-40-110	DPC-40-110	4.4	40 VCT @ 110 mA	20 V @ 220 mA
PC-40-250	DPC-40-250	10.0	40 VCT @ 250 mA	20 V @ 500 mA
PC-40-600	DPC-40-600	24.0	40 VCT @ 600 mA	20 V @ 1.20 A
PC-56-15	DPC-56-15	1.0	56 VCT @ 15 mA	28 V @ 30 mA
PC-56-20	DPC-56-20	1.2	56 VCT @ 20 mA	28 V @ 40 mA
PC-56-80	DPC-56-80	4.4	56 VCT @ 80 mA	28 V @ 160 mA
PC-56-180	DPC-56-180	10.0	56 VCT @ 180 mA	28 V @ 360 mA
PC-56-420	DPC-56-420	24.0	56 VCT @ 420 mA	28 V @ 840 mA
PC-120-8	DPC-120-8	1.0	120 VCT @ 8 mA	60 V @ 16 mA
PC-120-10	DPC-120-10	1.2	120 VCT @ 10 mA	60 V @ 20 mA
PC-120-35	DPC-120-35	4.4	120 VCT @ 35 mA	60 V @ 70 mA
PC-120-85	DPC-120-85	10.0	120 VCT @ 85 mA	60 V @ 170 mA
PC-120-200	DPC-120-200	24.0	120 VCT @ 200 mA	60 V @ 400 mA

Custom versions available upon request.

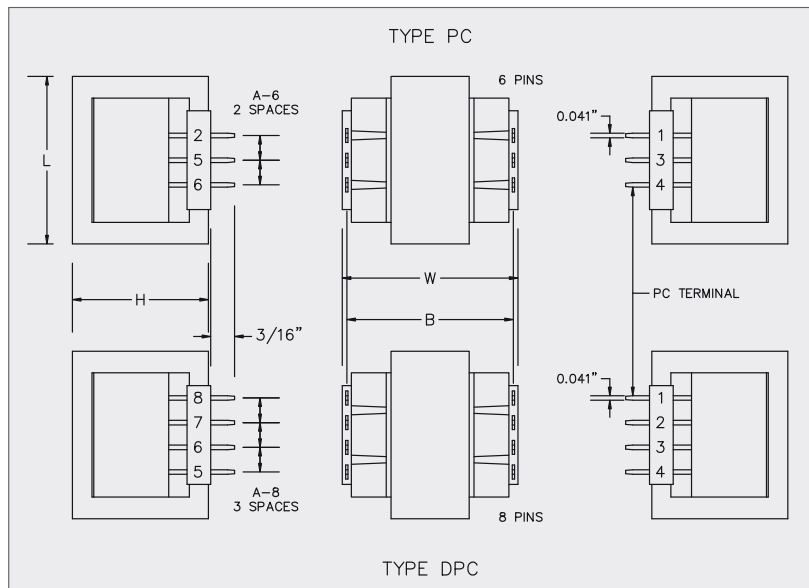
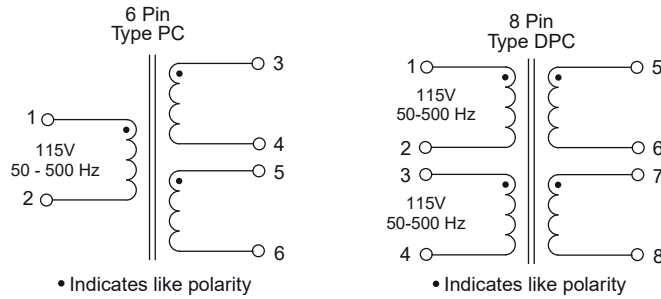


Toll Free 866-239-5777 | Tel 516-239-5777 | Fax 516-239-7208
 sales@signaltransformer.com | techhelp@signaltransformer.com

belfuse.com/signal

PRINTED CIRCUIT MOUNT POWER TRANSFORMERS

Miniature Low Power Transformers



VA	L	W	H	A-6	A-8	B	Weight	Optional Bracket *		
				6 Pin	8 Pin			Part Number	MW	MD
Size	Inches (mm)							Inches (mm)		
1.0	1.00 (25.4)	1.37 (34.92)	0.83 (21.08)	0.25 (6.35)	0.20 (5.08)	1.23 (31.2)	2.5 (0.07)	-	-	-
1.2	1.37 (34.9)	1.12 (28.6)	1.18 (30.15)	0.31 (7.92)	0.20 (5.08)	1.03 (26.2)	3 (0.08)	-	-	-
4.4	1.62 (41.3)	1.25 (31.8)	1.37 (34.92)	0.40 (10.16)	0.25 (6.35)	1.13 (28.7)	5 (0.14)	-	-	-
10.0	1.87 (47.6)	1.43 (36.5)	1.62 (41.27)	0.40 (10.16)	0.25 (6.35)	1.33 (33.7)	9 (0.23)	10-BR	1.64 (41.7)	1.12 (28.6)
24.0	1.62 (41.3)	2.25 (57.2)	1.37 (34.93)	0.40 (10.16)	0.25 (6.35)	2.13 (54.1)	12 (0.34)	24-BR	1.37 (34.9)	2.00 (50.8)

* An optional slide on mounting bracket is available for sizes 10 & 24. These brackets do not consume any additional board space but add 1/32" to the transformer's height.

See Accessories page for mounting brackets.

Custom versions available upon request.



Toll Free 866-239-5777 | Tel 516-239-5777 | Fax 516-239-7208
sales@signaltransformer.com | techhelp@signaltransformer.com

belfuse.com/signal

PRINTED CIRCUIT MOUNT TRIPLE OUTPUT TRANSFORMERS

For 5 VDC and ± 12 VDC or ± 15 VDC Regulated Power Supplies



Signal's MPC and DMPC transformers have all of the performance features of our PC and DPC series.

General Specifications

- Power - 10 VA and 24 VA
- Dielectric Strength - 1500 Vrms Hipot
- Primaries - Single or dual primaries, 115 V or 115/230 V, 50-500 Hz
- Secondaries - Dual complementary outputs, 5 VDC with ± 12 VDC or 5 VDC with ± 15 VDC
- Insulation System - Class B, 130° C, UL 1446 E66312
- Mounting Brackets - Available for 10 & 24 VA sizes, part numbers 10-BR and 24-BR, respectively

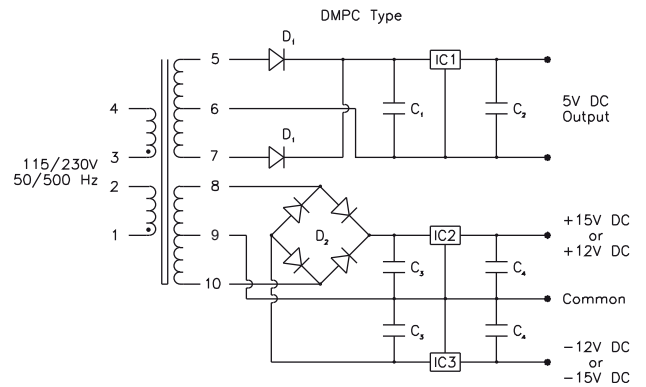
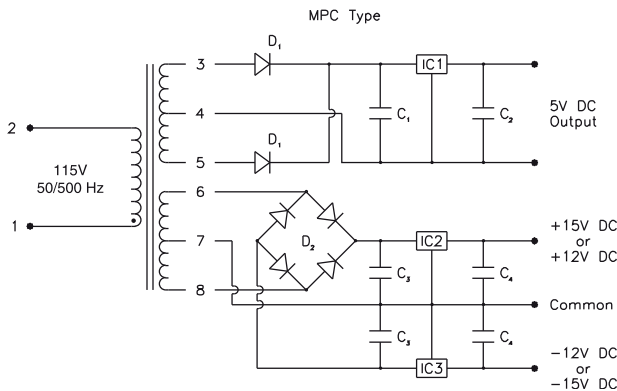
Agency Certifications

- UL recognized to UL 506 / UL 5085-2, File # E63829
- CSA certified to C22.2 #66.1, File # 221070



Part Number		DC Output		Size	Suggested Components							
Primary 50/500 Hz		Regulator I	Regulator II		C ₁	C ₂	C ₃	C ₄	D ₁ (2)	D ₂ (4)	IC ₁ *	IC ₂ *
115 V 8 Pin	115/230 V 10 Pin											
MPC-X-12	DMPC-X-12	5 VDC 360 mA	± 12 VDC 60mA	X	2100 MFD 30 V	2.7 MFD 20 V	250 MFD 50 V	10 MFD 20 V	1N4001	1N4002	LM341P-5.0	LM326N
MPC-X-15	DMPC-X-15	5 VDC 360 mA	± 15 VDC 50 mA	X	2100 MFD 30 V	2.7 MFD 20 V	250 MFD 50 V	10 MFD 20 V	1N4001	1N4002	LM341P-5.0	LM325N
MPC-Y-12	DMPC-Y-12	5 VDC 835 mA	± 12 VDC 150 mA	Y	4000 MFD 20 V	2.7 MFD 20 V	1000 MFD 50 V	2.7 MFD 20 V	1N4001	1N4002	LM340K-5.0	LM326N
MPC-Y-15	DMPC-Y-15	5 VDC 835 mA	± 15 VDC 130 mA	Y	4000 MFD 20 V	2.7 MFD 20 V	1000 MFD 50 V	2.7 MFD 20 V	1N4001	1N4002	LM340K-5.0	LM325N

* National Semiconductor



Custom versions available upon request.

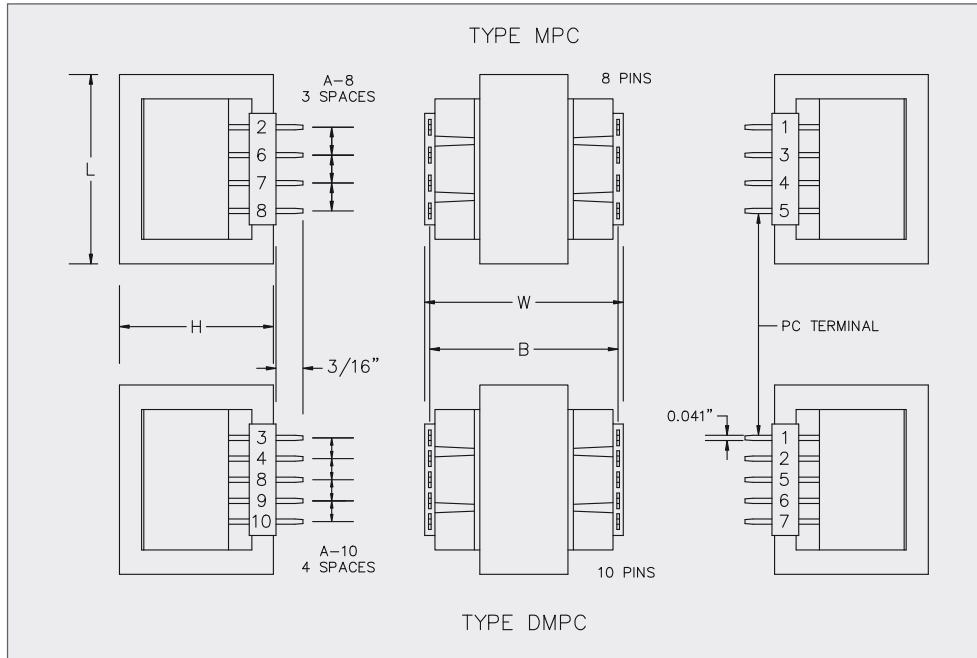


Toll Free 866-239-5777 | Tel 516-239-5777 | Fax 516-239-7208
sales@signaltransformer.com | techhelp@signaltransformer.com

belfuse.com/signal

PRINTED CIRCUIT MOUNT POWER TRANSFORMERS

Miniature Low Power Transformers



Size	L	W	H	A-8 8 Pin	A-10 10 Pin	B	Weight lbs (kg)	Optional Bracket		
								Number	MW	MD
									Inches (mm)	
X	1.87 (47.6)	1.43 (36.5)	1.64 (41.7)	0.25 (6.4)	0.20 (5.1)	1.30 (33.0)	0.56 (0.25)	10-BR	1.64 (41.6)	1.12 (28.6)
Y	1.62 (41.3)	2.25 (57.2)	1.37 (34.9)	0.25 (6.4)	0.20 (5.1)	2.10 (53.3)	0.75 (0.34)	24-BR	1.37 (34.9)	2.00 (50.8)

* An optional slide on mounting bracket is available for sizes 10 & 24.
 These brackets do not consume any additional board space but add 1/32" to the transformer's height.

See Accessories page for mounting brackets.

Custom versions available upon request.



Toll Free 866-239-5777 | Tel 516-239-5777 | Fax 516-239-7208
 sales@signaltransformer.com | techhelp@signaltransformer.com

belfuse.com/signal

STEP DOWN MULTI-TAPPED POWER ISOLATING TRANSFORMERS

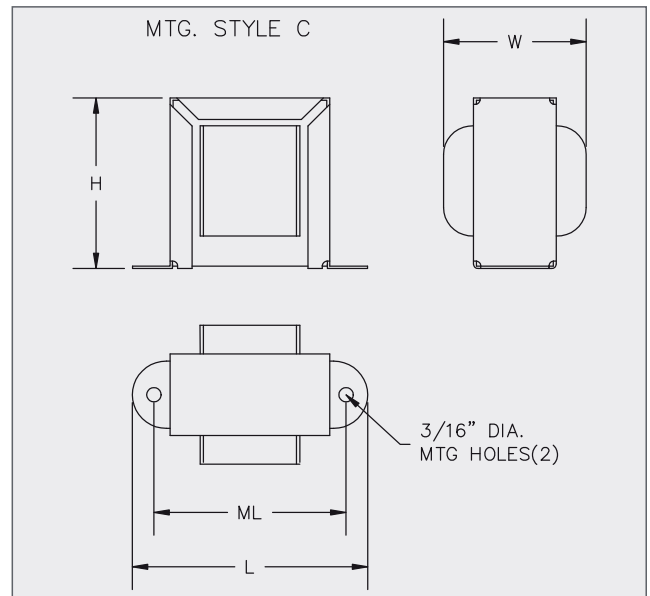
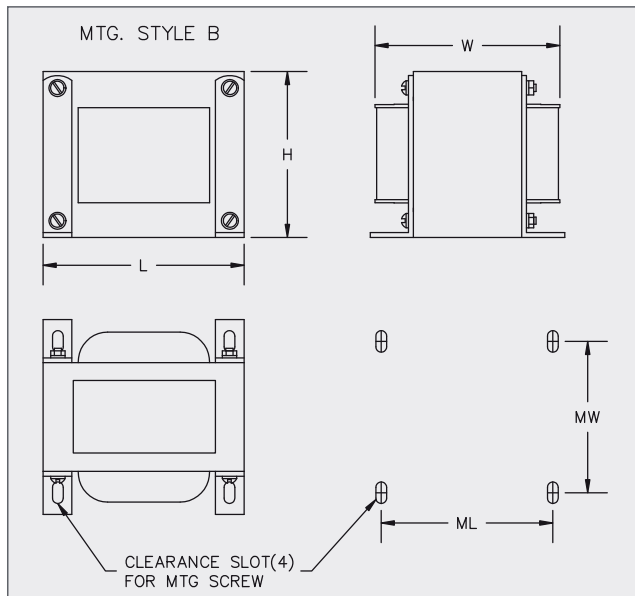
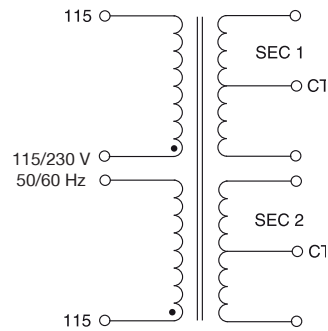
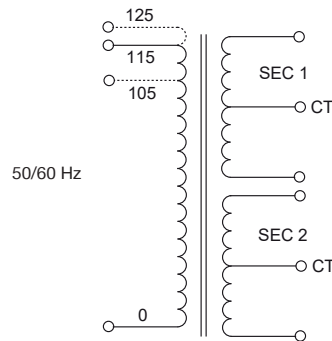


Originally designed for powering rectifying circuits, these Step Down Multi-Tapped transformers are suitable for use in myriad applications.

The conservative designs are manufactured using tried and true construction techniques and have an established record of high reliability and efficiency.

General Specifications

- Power - 10 VA to 2800 VA
- Dielectric Strength - 1500 Vrms Hipot
- Primaries - Single, tapped or dual primaries, 105 V, 115 V, 125 V, 230 V - 50/60 Hz
- Secondaries - Dual center tapped windings may be connected in series or parallel
- Insulation System - Class B insulation, 130° C



Custom versions available upon request.



Toll Free 866-239-5777 | Tel 516-239-5777 | Fax 516-239-7208
 sales@signaltransformer.com | techhelp@signaltransformer.com

belfuse.com/signal

STEP DOWN MULTI-TAPPED POWER ISOLATING TRANSFORMERS



Chassis Mount

Primary 50/60 Hz		Second RMS Rating		Mtg Style	Dimensions					Mtg Screw	Weight
Single 115 V	Dual 115/230 V	Series	Parallel		L	W	H	ML	MW		
Inches (mm)											
10-1	DL-10-1	10 VCT @ 1 A	5 VCT @ 2 A	C	2.87 (73.0)	1.75 (44.5)	2.31 (58.7)	2.37 (60.3)	-	#8	1.0 (.45)
10-2	DL-10-2	10 VCT @ 2 A	5 VCT @ 4 A	C	3.12 (79.4)	2.12 (53.9)	2.75 (69.9)	2.81 (71.4)	-	#8	1.5 (.68)
10-4	DL-10-4	10 VCT @ 4 A	5 VCT @ 8 A	C	3.56 (90.5)	2.37 (60.3)	3.06 (77.7)	3.12 (79.4)	-	#8	2.3 (1.04)
10-6	DL-10-6	10 VCT @ 6 A	5 VCT @ 12 A	B	3.37 (85.7)	2.75 (69.9)	2.81 (71.4)	2.81 (71.4)	2.12 (53.9)	#8	3.3 (1.50)
10-8	DL-10-8	10 VCT @ 8 A	5 VCT @ 16 A	B	3.37 (85.7)	3.12 (79.4)	2.81 (71.4)	2.81 (71.4)	2.50 (63.5)	#8	4.01 (1.81)
10-12	DL-10-12	10 VCT @ 12 A	5 VCT @ 24 A	B	3.75 (95.3)	3.25 (82.6)	3.12 (79.4)	3.12 (79.4)	2.50 (63.5)	#8	5.0 (2.27)
10-25	DL-10-25	10 VCT @ 25 A	5 VCT @ 50 A	B	4.50 (114.3)	3.75 (95.3)	3.75 (95.3)	3.75 (95.3)	2.75 (69.9)	#10	8.7 (3.95)
10-50*	DL-10-50	10 VCT @ 50 A	5 VCT @ 100 A	B	5.35 (133.4)	5.50 (139.7)	4.37 (111.1)	4.37 (111.1)	3.62 (92.1)	1/4	17.0 (7.71)
10-100*	DL-10-100	10 VCT @ 100 A	5 VCT @ 200 A	B	6.37 (162.0)	7.25 (184.2)	5.31 (134.9)	5.31 (134.9)	4.37 (111.1)	1/4	34.5 (15.65)
12.8-1	DL-12.8-1	12.8 VCT @ 1 A	6.4 VCT @ 2 A	C	2.87 (73.0)	2.00 (50.8)	2.31 (58.7)	2.31 (58.7)	-	#8	1.2 (.54)
12.8-2	DL-12.8-2	12.8 VCT @ 2 A	6.4 VCT @ 4 A	B	3.00 (76.2)	2.50 (63.5)	2.50 (63.5)	2.50 (63.5)	2.00 (50.8)	#8	2.3 (1.04)
12.8-4	DL-12.8-4	12.8 VCT @ 4 A	6.4 VCT @ 8 A	B	3.00 (76.2)	2.50 (63.5)	2.50 (63.5)	2.50 (63.5)	2.37 (60.3)	#8	2.8 (1.27)
12.8-6	DL-12.8-6	12.8 VCT @ 6 A	6.4 VCT @ 12 A	B	3.37 (85.7)	3.06 (77.7)	2.81 (71.4)	2.81 (71.4)	2.50 (63.5)	#8	4.0 (1.81)
12.8-8	DL-12.8-8	12.8 VCT @ 8 A	6.4 VCT @ 16 A	B	3.75 (95.3)	3.12 (79.4)	3.12 (79.4)	3.12 (79.4)	2.25 (57.2)	#8	4.5 (2.04)
12.8-12*	DL-12.8-12	12.8 VCT @ 12 A	6.4 VCT @ 24 A	B	4.12 (104.8)	3.25 (82.6)	3.43 (87.3)	3.43 (87.3)	2.37 (60.3)	#10	6.0 (2.72)
12.8-25*	DL-12.8-25	12.8 VCT @ 25 A	6.4 VCT @ 50 A	B	5.25 (133.4)	4.25 (108.0)	4.37 (111.1)	4.37 (111.1)	2.87 (73.0)	#10	12.5 (5.69)
12.8-50*	DL-12.8-50	12.8 VCT @ 50 A	6.4 VCT @ 100 A	B	5.25 (133.4)	6.00 (152.4)	4.37 (111.1)	4.37 (111.1)	4.12 (104.8)	1/4	20.7 (9.39)
12.8-100*	DL-12.8-100	12.8 VCT @ 100 A	6.4 VCT @ 200 A	B	6.37 (162.0)	7.25 (184.2)	5.31 (134.9)	5.31 (134.9)	4.37 (111.1)	1/4	34.5 (15.65)
16-1	DL-16-1	16 VCT @ 1 A	8 VCT @ 2 A	C	2.87 (73.0)	2.00 (50.8)	2.31 (58.7)	2.37 (60.3)	-	#8	1.2 (.54)
16-2	DL-16-2	16 VCT @ 2 A	8 VCT @ 4 A	C	3.12 (79.4)	2.25 (57.2)	2.75 (69.9)	2.81 (71.4)	-	#8	1.7 (.77)
16-4	DL-16-4	16 VCT @ 4 A	8 VCT @ 8 A	B	3.37 (85.7)	2.75 (69.9)	2.81 (71.4)	2.81 (71.4)	2.12 (53.9)	#8	3.3 (1.50)
16-6	DL-16-6	16 VCT @ 6 A	8 VCT @ 12 A	B	3.75 (95.3)	3.12 (79.4)	3.12 (79.4)	3.12 (79.4)	2.25 (57.2)	#10	4.5 (2.04)
16-8	DL-16-8	16 VCT @ 8 A	8 VCT @ 16 A	B	3.75 (95.3)	3.50 (89.0)	3.12 (79.4)	3.12 (79.4)	2.62 (66.7)	#10	5.4 (2.45)
16-12	DL-16-12	16 VCT @ 12 A	8 VCT @ 24 A	B	4.12 (104.8)	3.87 (98.4)	3.43 (87.3)	3.43 (87.3)	3.00 (76.2)	#10	7.9 (3.58)
16-25	DL-16-25	16 VCT @ 25 A	8 VCT @ 50 A	B	4.50 (114.3)	5.37 (136.5)	3.75 (95.3)	3.75 (95.3)	4.00 (101.6)	#10	14.5 (6.58)
16-50*	DL-16-50	16 VCT @ 50 A	8 VCT @ 100 A	B	6.37 (162.0)	5.70 (146.1)	5.31 (134.9)	5.31 (134.9)	3.75 (95.3)	1/4	26.5 (12.02)
16-100*	DL-16-100	16 VCT @ 100 A	8 VCT @ 200 A	B	7.50 (190.5)	7.50 (190.5)	6.37 (162.0)	6.75 (171.5)	4.62 (117.5)	1/4	50.0 (22.68)

* Nominal 115V primary has added taps, i.e., 105/115/125 V; Dual (DL) version is 115/230 V only.
 • Available with dual primary only. Therefore, prefix DL is not required.

Custom versions available upon request.



Toll Free 866-239-5777 | Tel 516-239-5777 | Fax 516-239-7208
 sales@signaltransformer.com | techhelp@signaltransformer.com

belfuse.com/signal

STEP DOWN MULTI-TAPPED POWER ISOLATING TRANSFORMERS



Primary 50/60 Hz		Second RMS Rating		Mtg Style	Dimensions					Mtg Screw	Weight
Single 115 V	Dual 115/230 V	Series	Parallel		L	W	H	ML	MW		
Inches (mm)											lbs (kg)
24-1	DL-24-1	24 VCT @ 1 A	12 VCT @ 2 A	B	3.00 (76.2)	2.50 (63.5)	2.50 (63.5)	2.50 (63.5)	2.00 (50.8)	#8	2.3 (1.04)
24-2	DL-24-2	24 VCT @ 2 A	12 VCT @ 4 A	B	3.00 (76.2)	2.87 (73.0)	2.50 (63.5)	2.50 (63.5)	2.37 (60.3)	#8	2.9 (1.32)
24-4	DL-24-4	24 VCT @ 4 A	12 VCT @ 8 A	B	3.75 (95.3)	3.12 (79.4)	3.12 (79.4)	3.12 (79.4)	2.25 (57.2)	#8	4.5 (2.04)
24-6	DL-24-6	24 VCT @ 6 A	12 VCT @ 12 A	B	4.12 (104.8)	3.25 (82.6)	3.43 (87.3)	3.43 (87.3)	2.37 (60.3)	#10	5.8 (2.63)
24-8	DL-24-8	24 VCT @ 8 A	12 VCT @ 16 A	B	4.12 (104.8)	3.87 (98.4)	3.43 (87.3)	3.43 (87.3)	3.00 (76.2)	#10	7.9 (3.58)
24-12*	DL-24-12	24 VCT @ 12 A	12 VCT @ 24 A	B	4.50 (114.3)	4.50 (114.3)	3.75 (95.3)	3.75 (95.3)	3.37 (85.7)	#10	11.0 (4.99)
24-20*	DL-24-20	24 VCT @ 20 A	12 VCT @ 40 A	B	5.25 (133.4)	4.75 (120.7)	4.37 (111.1)	4.37 (111.1)	3.37 (85.7)	1/4	15.3 (6.95)
24-25*	DL-24-25	24 VCT @ 25 A	12 VCT @ 50 A	B	5.25 (133.4)	5.62 (142.9)	4.37 (111.1)	4.37 (111.1)	4.12 (104.8)	1/4	19.5 (8.85)
24-50*	DL-24-50	24 VCT @ 50 A	12 VCT @ 100 A	B	6.37 (162.0)	6.25 (158.8)	5.31 (134.9)	5.31 (134.9)	4.37 (111.1)	1/4	31.3 (14.20)
—	24-100 •	24 VCT @ 100 A	12 VCT @ 200 A	B	7.50 (190.5)	7.00 (177.8)	6.37 (162.0)	6.75 (171.45)	4.12 (104.8)	1/4	43.0 (19.5)
36-1	DL-36-1	36 VCT @ 1 A	18 VCT @ 2 A	B	3.00 (76.2)	2.75 (69.9)	2.50 (63.5)	2.50 (63.5)	2.25 (57.2)	#8	2.6 (1.18)
36-2	DL-36-2	36 VCT @ 2 A	18 VCT @ 4 A	B	3.37 (85.7)	2.93 (74.6)	2.81 (71.4)	2.81 (71.4)	2.37 (60.3)	#8	3.8 (1.72)
36-4	DL-36-4	36 VCT @ 4 A	18 VCT @ 8 A	B	4.12 (104.8)	3.37 (85.7)	3.43 (87.3)	3.43 (87.3)	2.62 (66.7)	#10	6.8 (3.08)
36-6	DL-36-6	36 VCT @ 6 A	18 VCT @ 12 A	B	4.50 (114.3)	3.75 (95.3)	3.75 (95.3)	3.75 (95.3)	2.75 (69.9)	#10	8.7 (3.95)
36-8*	DL-36-8	36 VCT @ 8 A	18 VCT @ 16 A	B	4.50 (114.3)	4.50 (114.3)	3.75 (95.3)	3.75 (95.3)	3.37 (85.7)	#10	11.0 (4.99)
36-12*	DL-36-12	36 VCT @ 12 A	18 VCT @ 24 A	B	5.25 (133.4)	5.00 (127.0)	4.37 (111.1)	4.37 (111.1)	3.37 (85.7)	1/4	15.0 (6.80)
36-20*	DL-36-20	36 VCT @ 20 A	18 VCT @ 40 A	B	6.37 (162.0)	5.37 (136.5)	5.31 (134.9)	5.31 (134.9)	3.37 (85.7)	1/4	22.8 (10.34)
36-25*	DL-36-25	36 VCT @ 25 A	18 VCT @ 50 A	B	6.37 (162.0)	5.75 (146.1)	5.31 (134.9)	5.31 (134.9)	3.75 (95.3)	1/4	26.5 (12.02)
36-30*	DL-36-30	36 VCT @ 30 A	18 VCT @ 60 A	B	6.37 (162.0)	6.00 (152.4)	5.31 (134.9)	5.31 (134.9)	4.37 (111.1)	1/4	31.5 (14.28)
—	36-50 •	36 VCT @ 50 A	18 VCT @ 100 A	B	6.37 (162.0)	7.25 (184.2)	5.31 (134.9)	5.31 (134.9)	5.12 (130.2)	1/4	40.0 (18.14)

* Nominal 115V primary has added taps, i.e., 105/115/125 V; Dual (DL) version is 115/230 V only.
 • Available with dual primary only. Therefore, prefix DL is not required.

Custom versions available upon request.



Toll Free 866-239-5777 | Tel 516-239-5777 | Fax 516-239-7208
 sales@signaltransformer.com | techhelp@signaltransformer.com

belfuse.com/signal

STEP DOWN MULTI-TAPPED POWER ISOLATING TRANSFORMERS



Primary 50/60 Hz		Second RMS Rating		Mtg Style	Dimensions					Mtg Screw	Weight
Single 115 V	Dual 115/230 V	Series	Parallel		L	W	H	ML	MW		
Inches (mm)											
56-1	DL-56-1	56 VCT @ 1 A	28 VCT @ 2 A	B	3.37 (85.7)	2.87 (73.0)	2.81 (71.4)	2.81 (71.4)	2.25 (57.2)	#8	3.5 (1.59)
56-2	DL-56-2	56 VCT @ 2 A	28 VCT @ 4 A	B	3.75 (95.3)	3.25 (82.6)	3.12 (79.4)	3.12 (79.4)	2.50 (63.5)	#8	5.0 (2.27)
56-4	DL-56-4	56 VCT @ 4 A	28 VCT @ 8 A	B	4.12 (104.8)	3.75 (95.3)	3.43 (87.3)	3.43 (87.3)	3.00 (76.2)	#10	7.7 (3.49)
56-6	DL-56-6	56 VCT @ 6 A	28 VCT @ 12 A	B	5.25 (133.4)	4.25 (108.0)	4.37 (111.1)	4.37 (111.1)	2.87 (73.0)	#10	12.0 (5.44)
56-8*	DL-56-8	56 VCT @ 8 A	28 VCT @ 16 A	B	5.25 (133.4)	5.00 (127.0)	4.37 (111.1)	4.37 (111.1)	3.62 (92.1)	#1/4	17.0 (7.71)
56-12*	DL-56-12	56 VCT @ 12 A	28 VCT @ 24 A	B	6.37 (162.0)	5.25 (133.4)	5.31 (134.9)	5.31 (134.9)	3.37 (85.7)	1/4	22.0 (9.98)
56-25*	DL-56-25	56 VCT @ 25 A	28 VCT @ 50 A	B	6.37 (162.0)	7.12 (181.0)	5.31 (134.9)	5.31 (134.9)	5.12 (130.2)	1/4	38.0 (17.24)
—	56-50 •	56 VCT @ 50 A	28 VCT @ 100 A	B	7.50 (190.5)	7.50 (190.5)	6.24 (158.8)	6.75 (171.5)	4.87 (123.8)	1/4	56.3 (25.54)
68-1	DL-68-1	68 VCT @ 1 A	34 VCT @ 2 A	B	3.37 (85.7)	2.93 (74.6)	2.81 (71.4)	2.81 (71.4)	2.37 (60.3)	#8	3.8 (1.72)
68-2	DL-68-2	68VCT @ 2 A	34 VCT @ 4 A	B	4.12 (104.8)	3.37 (85.7)	3.43 (87.3)	3.43 (87.3)	2.62 (66.7)	#10	6.8 (3.08)
68-4	DL-68-4	68 VCT @ 4 A	34 VCT @ 8 A	B	4.50 (114.3)	4.50 (114.3)	3.75 (95.3)	3.75 (95.3)	3.37 (85.7)	#10	11.5 (5.22)
68-6*	DL-68-6	68 VCT @ 6 A	34 VCT @ 12 A	B	5.25 (133.4)	5.00 (127.0)	4.37 (111.1)	4.37 (111.1)	3.37 (85.7)	1/4	15.0 (6.80)
68-8*	DL-68-8	68 VCT @ 8 A	34 VCT @ 16 A	B	5.25 (133.4)	5.50 (139.7)	4.37 (111.1)	4.37 (111.1)	3.87 (98.4)	1/4	19.0 (8.62)
68-12*	DL-68-12	68 VCT @ 12 A	34 VCT @ 24 A	B	6.37 (162.0)	5.75 (146.1)	5.31 (134.9)	5.31 (134.9)	3.75 (95.3)	1/4	26.5 (12.02)
—	68-25 •	68 VCT @ 25 A	34 VCT @ 50 A	B	6.37 (162.0)	7.25 (184.2)	5.31 (134.9)	5.31 (134.9)	5.12 (130.2)	1/4	39.7 (18.01)
80-1	DL-80-1	80 VCT @ 1 A	40 VCT @ 2 A	B	3.37 (85.7)	3.06 (77.7)	2.81 (71.4)	2.81 (71.4)	2.50 (63.5)	#8	4.0 (1.81)
80-2	DL-80-2	80 VCT @ 2 A	40 VCT @ 4 A	B	4.12 (104.8)	3.37 (85.7)	3.43 (87.3)	3.43 (87.3)	2.62 (66.7)	#10	6.8 (3.08)
80-4	DL-80-4	80 VCT @ 4 A	40 VCT @ 8 A	B	5.25 (133.4)	4.25 (108.0)	4.37 (111.1)	4.37 (111.1)	2.87 (73.0)	1/4	12.3 (5.58)
80-6*	DL-80-6	80 VCT @ 6 A	40 VCT @ 12 A	B	5.25 (133.4)	5.50 (139.7)	4.37 (111.1)	4.37 (111.1)	3.87 (98.4)	1/4	19.0 (8.62)
80-8*	DL-80-8	80 VCT @ 8 A	40 VCT @ 16 A	B	6.37 (162.0)	5.25 (133.4)	5.31 (134.9)	5.31 (134.9)	3.25 (82.6)	1/4	20.5 (9.30)
80-12*	DL-80-12	80 VCT @ 12 A	40 VCT @ 24 A	B	6.37 (162.0)	6.00 (152.4)	5.31 (134.9)	5.31 (134.9)	4.12 (104.8)	1/4	29.0 (13.15)
—	80-25 •	80 VCT @ 25 A	40 VCT @ 50 A	B	7.50 (190.5)	6.50 (165.1)	6.25 (158.8)	6.75 (171.5)	3.87 (98.4)	1/4	40.3 (18.28)

* Nominal 115V primary has added taps, i.e., 105/115/125 V; Dual (DL) version is 115/230 V only.

• Available with dual primary only. Therefore, prefix DL is not required.

Custom versions available upon request.



Toll Free 866-239-5777 | Tel 516-239-5777 | Fax 516-239-7208
sales@signaltransformer.com | techhelp@signaltransformer.com

belfuse.com/signal

FILTER CHOKES - SINGLE AND DUAL WINDINGS



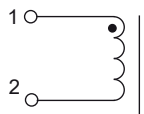
Signal's CH and CL Filter Chokes are designed to complement the Step Down Multi-Tapped Isolating transformers. When combined, the Multi-Tapped Transformer and Filter Choke support the development platform of highly reliable conventional DC Power Supplies.

General Specifications

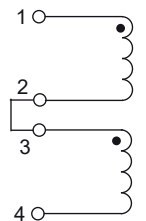
- Inductance - 0.12 mHY to 100 mHY
- DC Current - 1.0 ADC to 200 ADC
- Insulation System - Class B insulation, 130° C



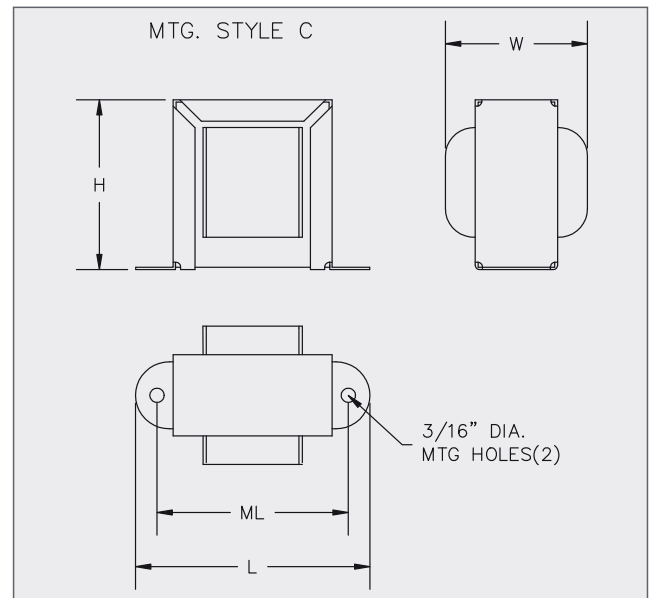
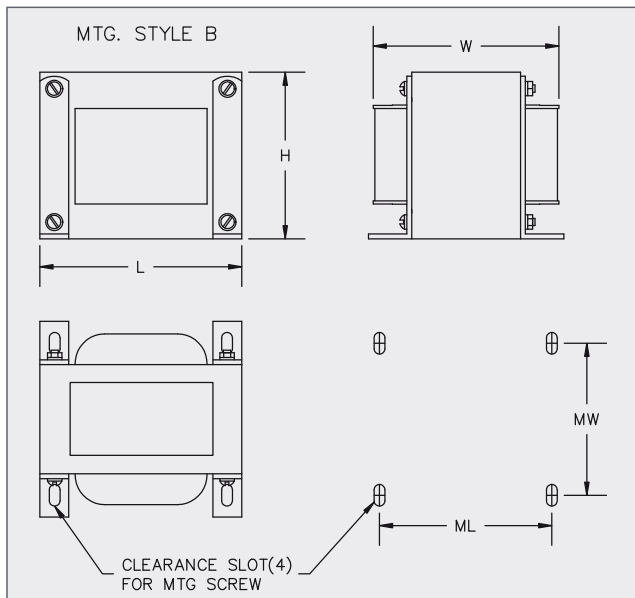
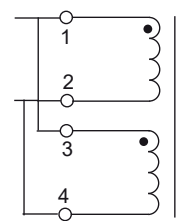
CH Type



CL Type Series



CL Type Parallel



Custom versions available upon request.



Toll Free 866-239-5777 | Tel 516-239-5777 | Fax 516-239-7208
 sales@signaltransformer.com | techhelp@signaltransformer.com

belfuse.com/signal

FILTER CHOKES - SINGLE AND DUAL WINDINGS



Part Number	Inductance mHY	Current Amps	Resistance Ohms	Mounting Style	Dimensions					Mounting Screw	Weight lbs (kg)
					L	W	H	ML	MW		
					Inches (mm)						
CH-1	100	1	1.5	B	3.00 (76.2)	2.50 (63.5)	2.50 (63.5)	2.50 (63.5)	2.00 (50.8)	#8	2.3 (1.04)
CH-2	70	2	0.9	B	3.37 (85.7)	2.75 (69.9)	2.87 (73.0)	2.81 (71.4)	2.12 (53.9)	#8	3.2 (1.45)
CH-4	70	4	0.6	B	3.75 (95.3)	3.12 (79.4)	3.25 (82.6)	3.12 (79.4)	2.50 (63.5)	#8	5.3 (2.40)
CH-6	40	6	0.4	B	3.75 (95.3)	3.62 (92.1)	3.25 (82.6)	3.12 (79.4)	3.00 (76.2)	#8	6.5 (2.95)
CH-8	30	8	0.3	B	4.12 (104.8)	3.62 (92.1)	3.50 (88.9)	3.43 (87.3)	3.00 (76.2)	#10	8 (3.63)
CH-12	15	12	0.1	B	5.25 (133.4)	4.00 (101.6)	4.43 (112.7)	4.37 (111.1)	3.12 (79.4)	#10	13.7 (6.21)
CH-16	15	16	0.08	B	5.25 (133.4)	4.62 (117.5)	4.43 (112.7)	4.37 (111.1)	3.62 (92.0)	#10	17.5 (7.94)
CH-20	7	20	0.05	B	5.25 (133.4)	4.00 (101.6)	4.43 (112.7)	4.37 (111.1)	3.12 (79.4)	#10	13.3 (6.03)
CH-25	5	25	0.025	B	5.25 (133.4)	4.75 (120.7)	4.43 (112.7)	4.37 (111.1)	3.87 (98.4)	#10	17.8 (8.07)
CH-30	4	30	0.01	B	6.37 (161.9)	5.00 (127.0)	5.37 (136.5)	5.31 (134.9)	3.37 (85.7)	1/4	24.4 (11.07)
CH-50	1.4	50	0.01	B	6.37 (161.9)	5.25 (133.4)	5.37 (136.5)	5.31 (134.9)	3.75 (95.3)	1/4	26.7 (12.11)
CH-100	0.5	100	0.005	B	6.37 (161.9)	6.25 (158.8)	5.37 (136.5)	5.31 (134.9)	4.12 (104.8)	1/4	31.4 (14.24)
CH-200	0.3	200	0.001	B	7.50 (190.5)	7.50 (190.5)	6.25 (158.8)	6.75 (171.5)	4.12 (104.8)	1/4	48.0 (21.77)

Part Number	Series Connected			Parallel Connected			Mounting Style	Dimensions					Mounting Screw	Weight lbs (kg)
	Ind.	Curr.	Res.	Ind.	Curr.	Res.		L	W	H	ML	MW		
	mHY	Amps	Ohms	mHY	Amps	Ohms		Inches (mm)						
CL-1-2	72	1	1.4	18	2	0.35	C	2.87 (73.0)	1.75 (44.5)	2.31 (58.7)	2.37 (60.3)	—	#8	0.9 (0.41)
CL-2-4	40	2	0.7	10	4	0.18	C	3.12 (79.4)	2.12 (53.9)	2.75 (69.9)	2.81 (71.4)	—	#8	1.5 (0.68)
CL-4-8	20	4	0.3	5	8	0.075	B	3.00 (76.2)	2.87 (73.0)	2.50 (63.5)	2.50 (63.5)	2.50 (63.5)	#8	3.0 (1.36)
CL-6-12	12	6	0.15	3	12	0.038	B	3.37 (85.7)	3.06 (77.7)	2.81 (71.4)	2.81 (71.4)	2.50 (63.5)	#8	4.0 (1.81)
CL-12-24	4.8	12	0.052	1.2	24	0.013	B	3.37 (85.7)	3.56 (90.5)	2.81 (71.4)	2.81 (71.4)	3.00 (76.2)	#8	5.3 (2.40)
CL-25-50	1.2	25	0.012	0.3	50	0.003	B	3.75 (98.3)	3.37 (85.7)	3.37 (85.7)	3.12 (79.4)	2.75 (69.9)	#8	6.0 (2.72)
CL-50-100	0.5	50	0.0043	0.12	100	0.0011	B	4.50 (114.3)	3.75 (95.3)	3.75 (95.3)	3.75 (95.3)	2.50 (63.5)	#8	8.0 (3.63)

Signal's dual chokes are supplied with 2 windings which may be series or parallel connected with rating shown on chart. This line is designed for applications requiring lower inductance value at high currents such as low voltage, DC supplies or SCR filters.

Custom versions available upon request.



Toll Free 866-239-5777 | Tel 516-239-5777 | Fax 516-239-7208
sales@signaltransformer.com | techhelp@signaltransformer.com

belfuse.com/signal

STEP-UP AND STEP-DOWN AUTO TRANSFORMERS

Available with Receptacle and Line Cord or Leads



Signal's EB Step-Down Auto Transformers offer the convenience of a Line Cord and Receptacle. The 0F series can be utilized to Step-Up or Step-Down the voltage.

Due to the compact design, both the EB and 0F series offer volumetric efficiency.

General Specifications

- Power - 100 VA to 2000 VA
- Voltage - EB version: 230 V to 115 V, 50/60 Hz
- 0F version: 230 V to 115 V or 115 V to 230 V, 50/60 Hz
- Connections:
 - EB version: Line cord and receptacle NEMA 5-15 style
 - 0F version: 8" leads
- Insulation System - Class B, 130° C
- Higher insulation class available



Part Number	VA	Dimensions			Mounting Centers	Weight
		Width	Depth	Height		
		Size	Inches (mm)			Inches (mm)
110	100	1.87 (47.6)	2.37 (60.3)	2.50 (63.5)	1.50 x 1.68 (38.1 x 42.8)	1.5 (0.68)
112	120	2.87 (73.0)	2.12 (54.0)	3.50 (88.9)	2.25 x 1.75 (57.2 x 44.5)	3.0 (1.36)
115	150	2.87 (73.0)	3.37 (85.7)	3.50 (88.9)	2.25 x 2.00 (57.2 x 50.8)	3.5 (1.59)
120	200	2.87 (73.0)	3.50 (88.9)	3.50 (88.9)	2.25 x 2.12 (57.2 x 54.0)	4.0 (1.81)
125	250	2.87 (73.0)	3.87 (98.4)	3.50 (88.9)	2.25 x 2.50 (57.2 x 63.5)	4.8 (2.18)
130	300	3.25 (82.6)	3.87 (98.4)	3.87 (98.4)	2.50 x 2.43 (63.5 x 61.9)	5.5 (2.49)
150	500	3.25 (82.6)	4.87 (123.8)	3.87 (98.4)	2.50 x 3.43 (63.5 x 87.3)	8 (3.63)
175	750	3.25 (82.6)	5.87 (149.2)	3.87 (98.4)	2.50 x 4.43 (63.5 x 112.7)	11 (5.00)
1100	1000	4.50 (114.3)	5.12 (130.2)	5.50 (139.7)	3.50 x 3.50 (88.9 x 88.9)	14 (6.35)
1150	1500	4.50 (114.3)	6.12 (155.6)	5.50 (139.7)	3.50 x 4.50 (88.9 x 114.3)	20 (9.07)
1200	2000	4.50 (114.3)	7.12 (181.0)	5.50 (139.7)	3.50 x 5.50 (88.9 x 139.7)	26 (11.79)

Part Number	VA	Dimensions			Mounting Centers	Weight
		Width	Depth	Height		
		Size	Inches (mm)			Inches (mm)
110-0F	100	2.25 (57.2)	2.00 (50.8)	1.93 (49.2)	2.81 (71.4)	1.3 (0.59)
112-0F	120	3.37 (85.7)	2.50 (63.5)	2.87 (73.0)	2.81 x 1.87 (71.4 x 47.6)	2.5 (1.13)
115-0F	150	3.37 (85.7)	2.75 (69.9)	2.87 (73.0)	2.81 x 2.12 (71.4 x 54.0)	3.0 (1.36)
120-0F	200	3.37 (85.7)	2.87 (73.0)	2.87 (73.0)	2.81 x 2.25 (71.4 x 57.2)	3.5 (1.59)
125-0F	250	3.37 (85.7)	3.25 (82.6)	2.87 (73.0)	2.81 x 2.62 (71.4 x 66.7)	4.2 (1.90)
130-0F	300	3.75 (95.3)	3.25 (82.6)	3.12 (79.4)	3.12 x 2.50 (79.4 x 63.5)	5.0 (2.27)
150-0F	500	3.75 (95.3)	4.25 (107.9)	3.12 (79.4)	3.12 x 3.50 (79.4 x 88.9)	8.0 (3.63)
175-0F	750	3.75 (95.3)	5.25 (133.4)	3.12 (79.4)	3.12 x 4.50 (79.4 x 114.3)	11 (5.00)
1100-0F	1000	5.25 (133.4)	4.50 (114.3)	4.37 (111.1)	4.37 x 3.12 (111.1 x 79.4)	14 (6.35)
1150-0F	1500	5.25 (133.4)	5.50 (139.7)	4.37 (111.1)	4.37 x 4.12 (111.1 x 104.8)	19 (8.62)
1200-0F	2000	5.25 (133.4)	6.50 (165.1)	4.37 (111.1)	4.37 x 5.12 (111.1 x 130.2)	25 (11.34)

Custom versions available upon request.



Toll Free 866-239-5777 | Tel 516-239-5777 | Fax 516-239-7208
sales@signaltransformer.com | techhelp@signaltransformer.com

belfuse.com/signal

THREE PHASE TRANSFORMERS

Custom Designs to Meet Your Requirements
Available with UL Recognition



Signal custom designs Three Phase Transformers to support a wide variety of applications. From incoming utility distribution to PC board level three phase mini-circuits, Signal has your needs covered.

Capabilities

From small PC mount 100 VA devices to large 45 KVA designs, we tailor these transformers to your specific needs.

Our Three Phase transformers are designed to cover a frequency range of 50 to 400 Hz, can be shielded or unshielded, and are suitable for a wide variety of applications from medical equipment to avionics systems.

Agency Approvals

With our vast experience and multiple designs already registered and agency approved, Signal can expeditiously process your UL/CSA or any other certification and approval that you require.

Configurations

Transformers can be supplied prewired for D (Delta) or Y (Wye) configurations for your specific installation requirements.

Transformers are available with multiple taps, fuses, thermal cut-off, and multiple hardware and termination schemes. Our miniature Three Phase transformers are available for through hole, printed circuit board mounting.

Materials

Signal's Three Phase Transformers are constructed with copper windings and grain-oriented silicon core materials assuring extremely high efficiency and the lowest loss possible.

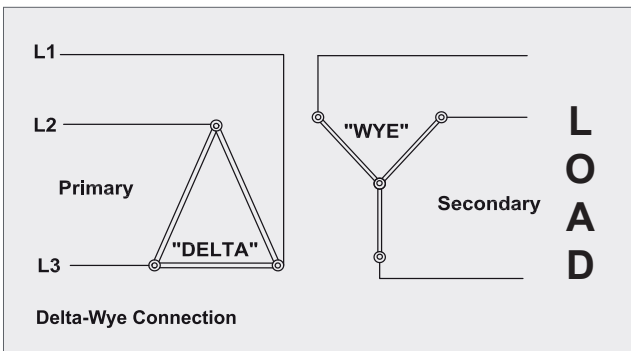
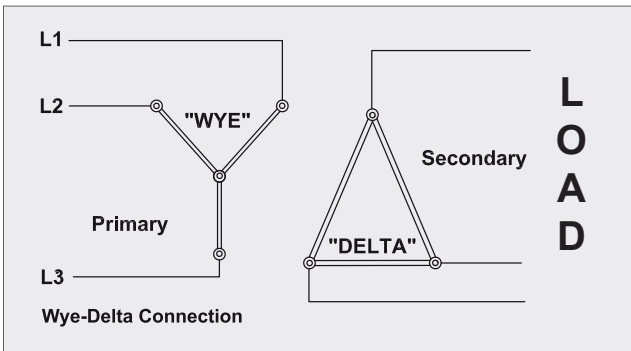
We manufacture using only the highest grade electrical insulation materials in order to meet the most demanding isolating applications and temperature requirements.

Fast Response and Delivery

For most designs, we'll provide a quote within 48 hours and deliveries follow within a few weeks.

Request a Quote

Let us quote your existing requirements or your new design. You'll be glad that you called Signal.



Custom versions available upon request.



Toll Free 866-239-5777 | Tel 516-239-5777 | Fax 516-239-7208
sales@signaltransformer.com | techhelp@signaltransformer.com

belfuse.com/signal

POWER ISOLATION TRANSFORMERS

Industrial Grade Step-Up or Step-Down Transformers



Signal's DU and SU transformers have been designed to provide a multitude of step-up or step-down voltage configurations to accommodate various input voltages available throughout the world.

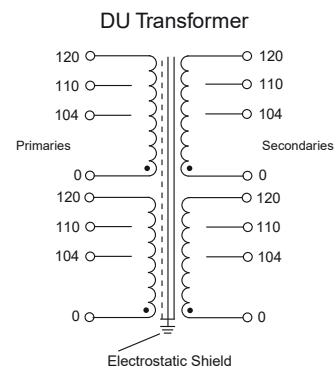
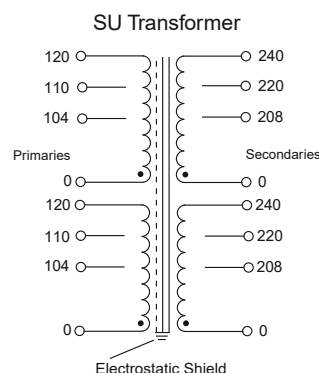
General Specifications

- Power - 250 VA to 10 KVA (500 VA to 20 KVA possible if used as auto-transformer)
- Dielectric Strength - 2500 Vrms Hipot
- Primaries - Dual/tapped primaries:
Parallel connected (104V, 110V, 120V - 50-500 Hz)
Series connected (208V, 220V, 230V, 240V)
- Secondaries - Dual/tapped secondaries:
DU Series - Parallel connected (104 V, 110V, 120V - 50-500 Hz)
Series connected (208V, 220V, 230V, 240V - 50-500 Hz)
SU Series - Parallel connected (208V, 220V, 240V - 50-500 Hz)
Series connected (416V, 440V, 460V, 480V - 50-500 Hz)
- Electrostatic Shield - Solid copper foil connected to ground.
The connection may be opened if an un-grounded shield is desired.
- Terminals - Nickel Plated brass screw-type terminals
- Insulation System - Class B, 130° C
- Higher insulation classes available



Part Number	KVA	Series Secondaries		Parallel Secondaries	
		Volts	Max Amps	Volts	Max Amps
DU-1/4	1/4	0/208/220/240	1.1	0/104/110/120	2.2
DU-1/2	1/2	0/208/220/240	2.3	0/104/110/120	4.6
DU-1	1	0/208/220/240	4.5	0/104/110/120	9
DU-2	2	0/208/220/240	9	0/104/110/120	18
DU-3	3	0/208/220/240	14	0/104/110/120	28
DU-5	5	0/208/220/240	23	0/104/110/120	46
DU-7.5	7.5	0/208/220/240	31	0/104/110/120	62
DU-10	10	0/208/220/240	41	0/104/110/120	82

Part Number	KVA	Series Secondaries		Parallel Secondaries	
		Volts	Max Amps	Volts	Max Amps
SU-1/4	1/4	0/416/440/480	0.55	0/208/220/240	1.1
SU-1/2	1/2	0/416/440/480	1.15	0/208/220/240	2.3
SU-1	1	0/416/440/480	2.25	0/208/220/240	4.5
SU-2	2	0/416/440/480	4.5	0/208/220/240	9
SU-3	3	0/416/440/480	7	0/208/220/240	14
SU-5	5	0/416/440/480	11.5	0/208/220/240	23
SU-7.5	7.5	0/416/440/480	15.5	0/208/220/240	31
SU-10	10	0/416/440/480	20.5	0/208/220/240	41



As shown on the schematic diagram the DU line incorporates dual primaries and secondaries. All four windings are identically rated at 0/104/110/120 V. This permits series or parallel connections on either primary or secondary. Therefore, a nominal 110 V to 110 V, 220 V to 220 V, 110 V to 220 V, or 220 V to 110 V transformer can be configured. The winding tap permits intermediate series ratings such as 208 V, 214 V, or 230 V. It is also possible to make auto-transformer connections by connecting a primary group in series with a secondary group. Such nominal ratings as 440 V to 220 V or 220 V to 440 V can be configured in addition to the standard ratings described above. A further advantage to auto-transformer connection is the fact that the kVA rating of a particular type is doubled.

Custom versions available upon request.

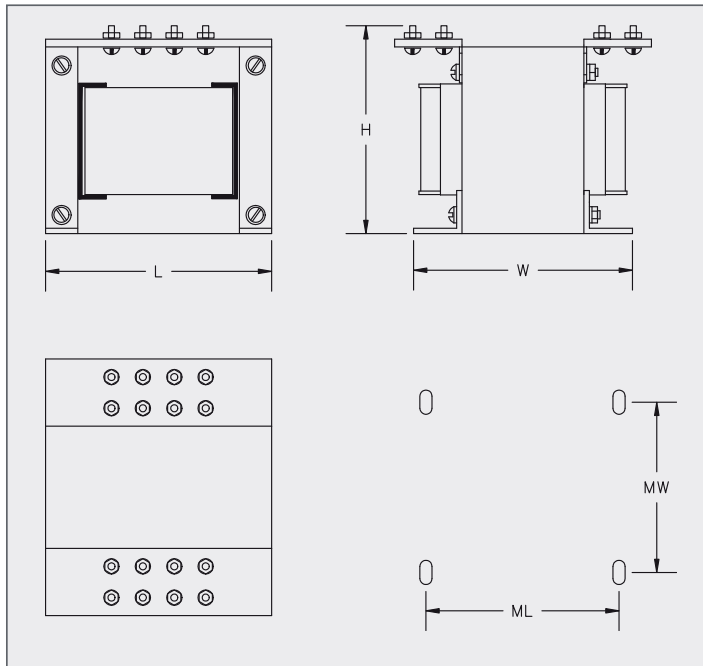


Toll Free 866-239-5777 | Tel 516-239-5777 | Fax 516-239-7208
sales@signaltransformer.com | techhelp@signaltransformer.com

belfuse.com/signal

POWER ISOLATION TRANSFORMERS

Industrial Grade Step-Up or Step-Down Transformers



Part Number		Dimensions					Mtg. & Term. Screw	Weight
		L *	W *	H *	ML •	MW ‡		lbs (kg)
		Inches (mm)						
DU-1/4	SU-1/4	5.31 (134.9)	4.25 (107.9)	5.25 (133.4)	4.37 (111.1)	2.50 (63.5)	#10	12 (5.44)
DU-1/2	SU-1/2	5.31 (134.9)	5.31 (134.9)	5.25 (133.4)	4.37 (111.1)	3.62 (92.1)	#10	18 (8.16)
DU-1	SU-1	7.56 (192.1)	6.25 (158.8)	7.37 (187.3)	6.75 (171.5)	4.12 (104.8)	1/4	33 (14.97)
DU-2	SU-2	7.56 (192.1)	8.25 (209.6)	7.37 (187.3)	6.75 (171.5)	6.00 (152.4)	1/4	56 (25.40)
DU-3	SU-3	7.56 (192.1)	9.25 (234.9)	7.37 (187.3)	6.75 (171.5)	7.00 (177.8)	1/4	70 (31.75)
DU-5	SU-5	7.56 (192.1)	10.75 (273.1)	7.37 (187.3)	6.75 (171.5)	8.50 (215.9)	1/4	89 (40.37)
DU-7.5	SU-7.5	9.00 (228.6)	10.75 (273.1)	8.00 (203.2)	7.50 (190.5)	6.50 (165.1)	1/4	105 (47.63)
DU-10	SU-10	9.00 (228.6)	13.00 (330.2)	8.00 (203.2)	7.50 (190.5)	9.00 (228.6)	1/4	150 (68.04)

* Maximum

• ± 0.06 (1.6 mm)

‡ ± 0.12 (3.2 mm)

Custom versions available upon request.

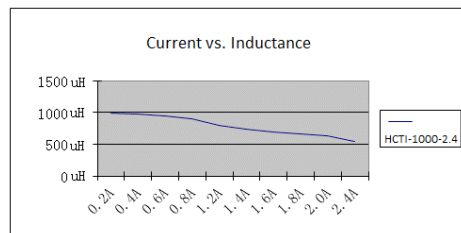
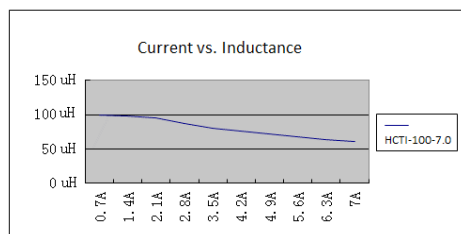
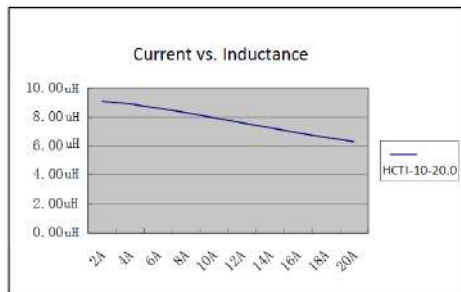


Toll Free 866-239-5777 | Tel 516-239-5777 | Fax 516-239-7208
 sales@signaltransformer.com | techhelp@signaltransformer.com

belfuse.com/signal

HIGH CURRENT TOROIDAL INDUCTORS

Vertical PCB Mounting



Notes:

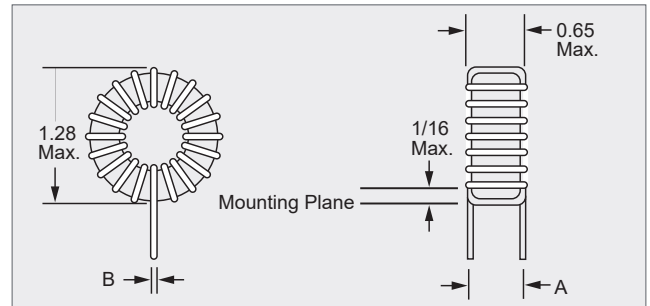
1. Dimensions are in inches
2. Current causing 30°C max temperature rise
3. Operating Temperature Range of -55 to +105 °C
4. Leads tinned to within 1/16 of an inch above Mounting Plane
5. Lead Length of 0.50 inches

General Specifications

- Vertical PC Mounting for Board Layout Optimization
- Wide Range Of Inductance and Current ratings
- Distributed Air Gap For High Energy Storage
- High Efficiency Reduced Core Loss
- Self-Shielding For Low Magnetic Radiation
- High Current Carrying Capability

Applications

- SMPS Energy Storage Inductors
- EMI/RFI Filtering Inductors
- DC-DC Converter Chokes



Part Number	L (u H) ±15% @ 1KHz	L(u H) ±15% @ I-rated	DC Resistance Ω MAX	I-rated DC Current Amps (2)	Dimension A (inches) Nominal	Dimension B (inches) Nominal
HCTI-10-20.0	10	6.7	0.005	20.0	0.56	0.066
HCTI-12-19.1	12	7.8	0.005	19.1	0.56	0.066
HCTI-15-18.0	15	9.5	0.006	18.0	0.56	0.066
HCTI-18-17.2	18	11.1	0.006	17.2	0.56	0.066
HCTI-22-16.4	22	13.2	0.007	16.4	0.56	0.066
HCTI-27-15.6	27	15.7	0.008	15.6	0.56	0.066
HCTI-33-11.7	33	21.3	0.013	11.7	0.53	0.053
HCTI-39-11.2	39	24.7	0.014	11.2	0.53	0.053
HCTI-47-10.7	47	29.0	0.016	10.7	0.53	0.053
HCTI-56-10.2	56	33.7	0.017	10.2	0.53	0.053
HCTI-68-7.7	68	45.2	0.030	7.70	0.52	0.042
HCTI-100-7.0	100	63.1	0.037	7.00	0.52	0.042
HCTI-120-6.7	120	73.9	0.040	6.70	0.52	0.042
HCTI-150-5.0	150	101.4	0.071	5.00	0.51	0.034
HCTI-180-4.8	180	118.9	0.078	4.80	0.51	0.034
HCTI-220-5.8	220	123.8	0.054	5.80	0.56	0.042
HCTI-270-5.5	270	147.2	0.060	5.50	0.56	0.042
HCTI-330-5.2	330	174.1	0.067	5.20	0.56	0.042
HCTI-390-5.0	390	200.2	0.072	5.00	0.56	0.042
HCTI-470-3.8	470	271.4	0.130	3.80	0.54	0.034
HCTI-560-3.6	560	314.8	0.140	3.60	0.54	0.034
HCTI-680-3.4	680	370.7	0.150	3.40	0.54	0.034
HCTI-820-2.6	820	500.9	0.270	2.60	0.53	0.027
HCTI-1000-2.4	1000	593.6	0.300	2.40	0.53	0.027

Custom versions available upon request.



Toll Free 866-239-5777 | Tel 516-239-5777 | Fax 516-239-7208
 sales@signaltransformer.com | techhelp@signaltransformer.com

belfuse.com/signal

HIGH FREQUENCY CUSTOM TRANSFORMERS

Custom Designs To Meet Your Requirements



We offer

- Transformers for switch-mode power supplies
- Telecom coupling transformers
- Common mode chokes
- Current sensing transformers
- Surface mount or through hole packaging
- Platforms Available
 - EE/EI/UI core
 - RM core
 - PQ core
 - U core
 - EP core
 - ETO/EFO core
 - Toroidal - powder iron or ferrite
- Agency certifications available upon request
- Call or email with specific requirements

Custom versions available upon request.



Toll Free 866-239-5777 | Tel 516-239-5777 | Fax 516-239-7208
sales@signaltransformer.com | techhelp@signaltransformer.com

belfuse.com/signal

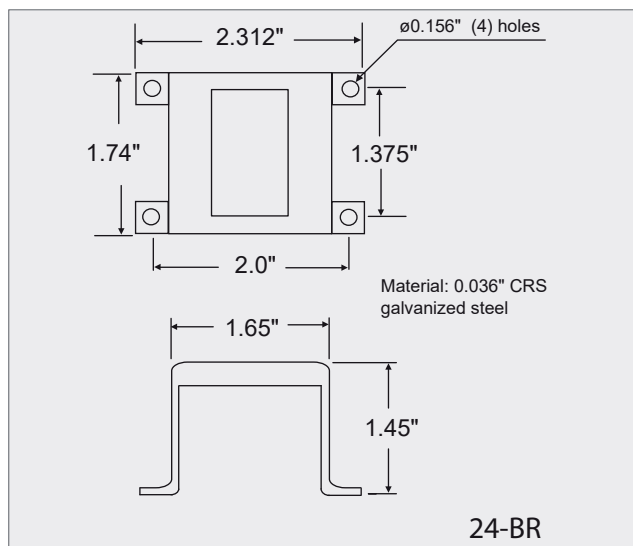
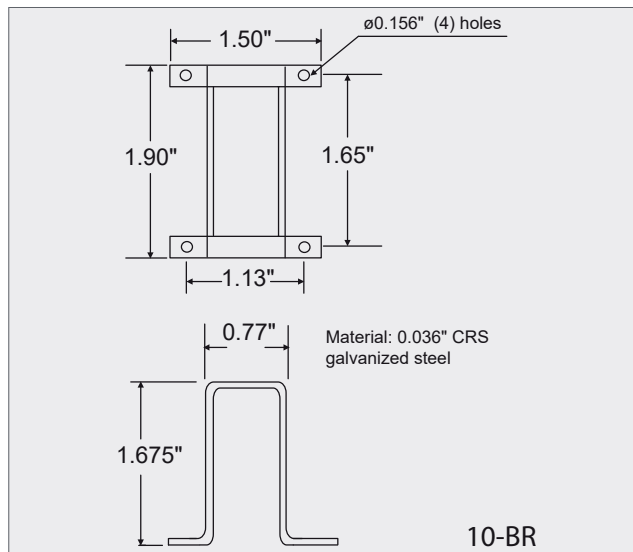
ACCESSORIES

Mounting Hardware | Brackets and Screws

Brackets

Bracket Number	MW	MD
	Inches (mm)	
10-BR	1.65 (41.9)	1.13 (28.7)
24-BR	1.37 (34.9)	2.00 (50.8)

- 10-BR bracket for use with Signal's 10 VA size PC, DPC, MPC, and DMPC series transformers
- 24-BR bracket for use with Signal's 24 VA size PC, DPC, MPC, and DMPC series transformers
- Please refer to transformer data sheets for details on bracket compatibility and transformer part numbers

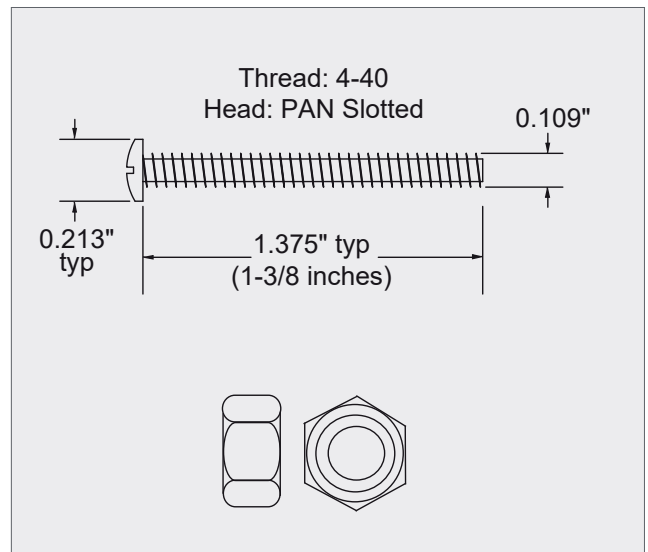


Screws

Part Number	Description
ST-MS*	Slotted pan screw 4-40, 1 3/8" long, plastic
ST-MN*	Hex nut 4-40, plastic
250-FO-SL*	1/4" Fast-on spade lug (used with TransPort™ connectors)

* Sold in bags of 100 only.

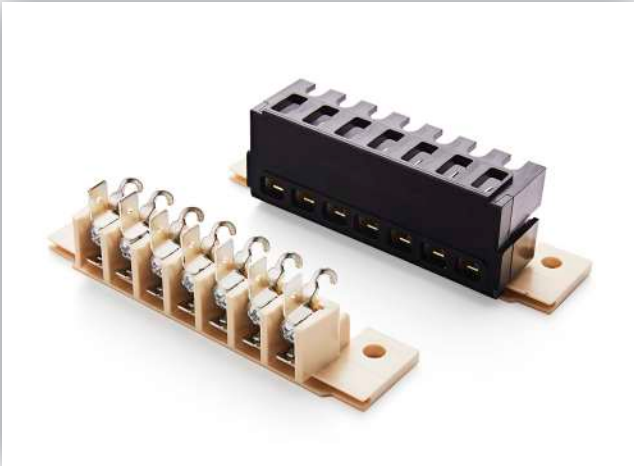
- For use with Signal's 14A, ST, DST, LP, and MPL series transformers
- Slotted pan screw 4-40 x 1 3/8" thread size (part number ST-MS)
- Compatible with 4-40 hex nut (part number ST-MN)



ACCESSORIES

Mounting Hardware | TRK TransPort™ Connectors

TRK TransPort™ Connectors



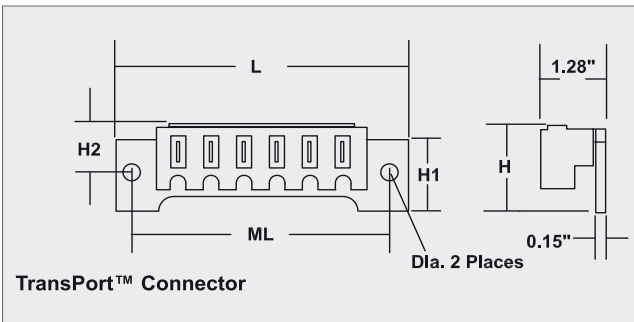
TRK TransPort™ connectors provide touch safe electrical terminations for power transformers, inductors, and reactors with EI-type core assemblies. The connectors may also be attached to bulkheads and chassis where touch safe terminations are required.

The connectors' modular design provides superior strength and rigidity over singular terminal components while minimizing handling and storage issues. This series offers multiple connection schemes in one compact package including 3/16" and 1/4" Fast-On* as well as screw/binding clamp for hard wiring. Integral mounting holes provide secure attachment with no need for additional insulating hardware.

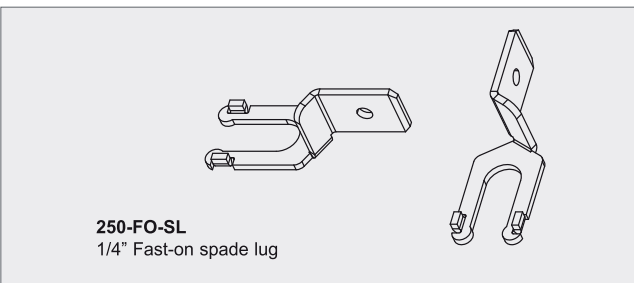
General Specifications

- Provides touch safe terminations and conforms to IEC60529 / IP20 requirements
- Designed to support multiple connection schemes
- For use on power transformers, inductors, and reactors with EI core assemblies
- VDE certified to EN 60998-2-1 (VDE 0613), rated at 450V, 41A, Reg-Nr B503
- CSA certified to CAN/CSA C22.2 (# 0-M91, 158-1987), Certificate # 1803371
- Certified to UL 1059, UL 310 and UL 486E
- RoHS compliant

* The 1/4" Fast-On spade lug P/N 250-FO-SL can also be purchased separately.



TransPort™'s unique modular design supports multiple connection schemes



Part Number	Positions	Diameter	L	ML	H	H1	H2
TB-1-3*	3	0.170	3.0	2.50	0.79	0.45	0.60
TB-1-1/4-6	6	0.224	3.5	3.12	1.08	0.81	0.86
TB-1-3/8-7	7	0.224	4.1	3.45	1.18	0.91	0.92
TB-1-1/2-7	7	0.224	4.2	3.75	1.08	0.81	0.78
TB-1-3/4-8	8	0.312	5.0	4.39	1.08	0.81	0.73
TB-2-1/8-8	8	0.312	6.2	5.33	1.08	0.81	0.73
TB-2-1/4-8	8	0.312	6.9	5.84	1.08	0.81	0.73
TB-2-1/2-8	8	0.312	7.4	6.68	1.08	0.81	0.73

* Agency: Pending



Toll Free 866-239-5777 | Tel 516-239-5777 | Fax 516-239-7208
sales@signaltransformer.com | techhelp@signaltransformer.com

belfuse.com/signal



Local Support

Our regional sales offices are ready to provide expert application and sales support. In addition, our extensive network of manufacturers' representatives and distributors bring our products to you. Please call for locations of sales offices near you or visit our website at belfuse.com/signal.

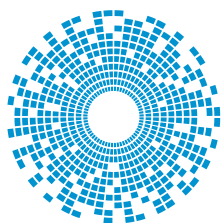
Signal Transformer

500 Bayview Avenue
Inwood, NY 11096-1792

T +1 516.239.5777

F +1 516.239.7208

sales@signaltransformer.com
techhelp@signaltransformer.com



signal
TRANSFORMER

a bel group

+1 866.239.5777
belfuse.com/signal