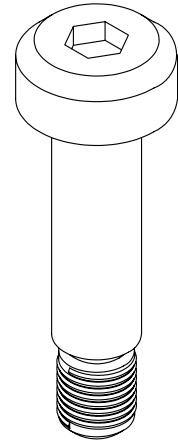
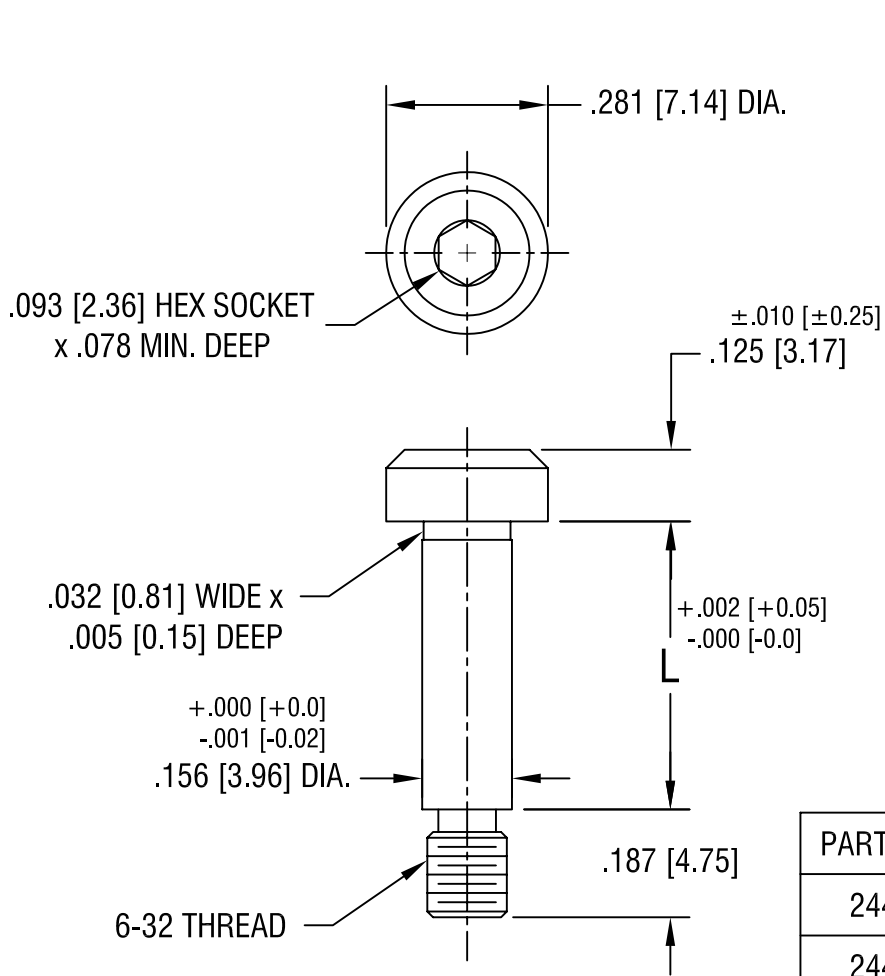


THIS DOCUMENT IS THE PROPERTY OF  
KEYSTONE ELECTRONICS CORP. AND  
SHALL NOT BE REPRODUCED, DISTRIBUTED  
OR USED AS A BASIS FOR MANUFACTURE  
WITHOUT PRIOR WRITTEN PERMISSION  
FROM KEYSTONE ELECTRONICS CORP.



PART NO.	'L' DIM.
2445	.125 [3.17]
2446	.250 [6.35]
2447	.375 [9.52]
2448	.500 [12.70]
2449	.625 [15.87]
2450	.750 [19.05]

7.15.08	CHANGE AS PER ECN 08-120	B
11.14.07	CHANGE AS PER ECN 07-079	A
DATE	DESCRIPTION	REV.

<b>KEYSTONE ELECTRONICS CORP.</b>			
ASTORIA, N.Y. 11105-2017			
PART NAME			
SHOULDER SCREW - SOCKET			
MATERIAL			
STAINLESS STEEL			
FINISH		DRN BY	DATE
-		BOONE	8.16.95
		APP'D	SCALE
		LN	3X
TOLERANCES	INCH [MM]	CODE	DWG NO.
DECIMAL	± .005 [± 0.15]	C/M	<b>2445-2450</b>
ANGULAR	± 1°		
UNLESS OTHERWISE SPECIFIED			