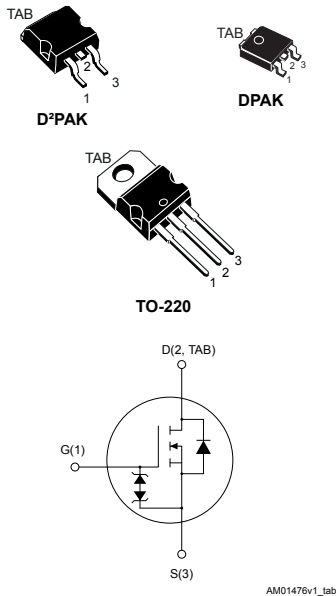


## N-channel 600 V, 0.55 $\Omega$ typ., 7.5 A MDmesh M2 Power MOSFET in a D<sup>2</sup>PAK, DPAK and TO-220 packages



### Features

Order codes	$V_{DS}$ @ $T_J$ max.	$R_{DS(on)}$ max.	$I_D$	Package
STB10N60M2	650 V	0.60 $\Omega$	7.5 A	D <sup>2</sup> PAK
STD10N60M2				DPAK
STP10N60M2				TO-220

- Extremely low gate charge
- Excellent output capacitance ( $C_{oss}$ ) profile
- 100% avalanche tested
- Zener-protected

### Applications

- Switching applications

### Description

These devices are N-channel Power MOSFETs developed using the MDmesh M2 technology. Thanks to their strip layout and improved vertical structure, these devices exhibit low on-resistance and optimized switching characteristics, rendering them suitable for the most demanding high-efficiency converters.



#### Product status links

[STB10N60M2](#)
[STD10N60M2](#)
[STP10N60M2](#)

# 1 Electrical ratings

**Table 1. Absolute maximum ratings**

Symbol	Parameter	Value	Unit
$V_{GS}$	Gate-source voltage	$\pm 25$	V
$I_D$	Drain current (continuous) at $T_C = 25\text{ }^\circ\text{C}$	7.5	A
	Drain current (continuous) at $T_C = 100\text{ }^\circ\text{C}$	4.9	
$I_{DM}^{(1)}$	Drain current (pulsed)	30	A
$P_{TOT}$	Total power dissipation at $T_C = 25\text{ }^\circ\text{C}$	85	W
$dv/dt^{(2)}$	Peak diode recovery voltage slope	15	V/ns
$dv/dt^{(3)}$	MOSFET $dv/dt$ ruggedness	50	
$T_{stg}$	Storage temperature range	-55 to 150	$^\circ\text{C}$
$T_J$	Operating junction temperature range		$^\circ\text{C}$

1. Pulse limited by safe operating area.
2.  $I_{SD} \leq 7.5\text{ A}$ ,  $di/dt \leq 400\text{ A}/\mu\text{s}$ ,  $V_{DS\text{ peak}} < V_{(BR)DSS}$ ,  $V_{DD} = 400\text{ V}$ .
3.  $V_{DS} \leq 480\text{ V}$ .

**Table 2. Thermal data**

Symbol	Parameter	Value			Unit
		D <sup>2</sup> PAK	DPAK	TO-220	
$R_{thJC}$	Thermal resistance, junction-to-case	1.47			$^\circ\text{C}/\text{W}$
$R_{thJB}^{(1)}$	Thermal resistance, junction-to-board	30	50		$^\circ\text{C}/\text{W}$
$R_{thJA}$	Thermal resistance, junction-to-ambient			62.5	$^\circ\text{C}/\text{W}$

1. When mounted on 1 inch<sup>2</sup> FR-4, 2 Oz copper board.

**Table 3. Avalanche characteristics**

Symbol	Parameter	Value	Unit
$I_{AR}^{(1)}$	Avalanche current, repetitive or not repetitive	1.5	A
$E_{AS}^{(2)}$	Single pulse avalanche energy	110	mJ

1. Pulse width limited by  $T_J$  max.
2. Starting  $T_J = 25\text{ }^\circ\text{C}$ ,  $I_D = I_{AR}$ ,  $V_{DD} = 50\text{ V}$ .

## 2 Electrical characteristics

( $T_C = 25\text{ °C}$  unless otherwise specified)

**Table 4. Static**

Symbol	Parameter	Test conditions	Min.	Typ.	Max.	Unit
$V_{(BR)DSS}$	Drain-source breakdown voltage	$V_{GS} = 0\text{ V}$ , $I_D = 1\text{ mA}$	600			V
$I_{DSS}$	Zero gate voltage drain current	$V_{GS} = 0\text{ V}$ , $V_{DS} = 600\text{ V}$			1	$\mu\text{A}$
		$V_{GS} = 0\text{ V}$ , $V_{DS} = 600\text{ V}$ , $T_C = 125\text{ °C}^{(1)}$			100	
$I_{GSS}$	Gate-body leakage current	$V_{DS} = 0\text{ V}$ , $V_{GS} = \pm 25\text{ V}$			$\pm 10$	$\mu\text{A}$
$V_{GS(th)}$	Gate threshold voltage	$V_{DS} = V_{GS}$ , $I_D = 250\text{ }\mu\text{A}$	2	3	4	V
$R_{DS(on)}$	Static drain-source on-resistance	$V_{GS} = 10\text{ V}$ , $I_D = 3\text{ A}$		0.55	0.60	$\Omega$

1. Defined by design, not subject to production test.

**Table 5. Dynamic**

Symbol	Parameter	Test conditions	Min.	Typ.	Max.	Unit
$C_{iss}$	Input capacitance	$V_{DS} = 100\text{ V}$ , $f = 1\text{ MHz}$ , $V_{GS} = 0\text{ V}$	-	400	-	pF
$C_{oss}$	Output capacitance		-	22	-	pF
$C_{rSS}$	Reverse transfer capacitance		-	0.84	-	pF
$C_{oss\ eq.}^{(1)}$	Equivalent output capacitance	$V_{DS} = 0\text{ to }480\text{ V}$ , $V_{GS} = 0\text{ V}$	-	83	-	pF
$R_G$	Intrinsic gate resistance	$f = 1\text{ MHz}$ , $I_D = 0\text{ A}$	-	6.4	-	$\Omega$
$Q_g$	Total gate charge	$V_{DD} = 480\text{ V}$ , $I_D = 7.5\text{ A}$ , $V_{GS} = 0\text{ to }10\text{ V}$ (see Figure 16. Test circuit for gate charge behavior)	-	13.5	-	nC
$Q_{gs}$	Gate-source charge		-	2.1	-	nC
$Q_{gd}$	Gate-drain charge		-	7.2	-	nC

1.  $C_{oss\ eq.}$  is defined as a constant equivalent capacitance giving the same charging time as  $C_{oss}$  when  $V_{DS}$  increases from 0 to 80%  $V_{DSS}$ .

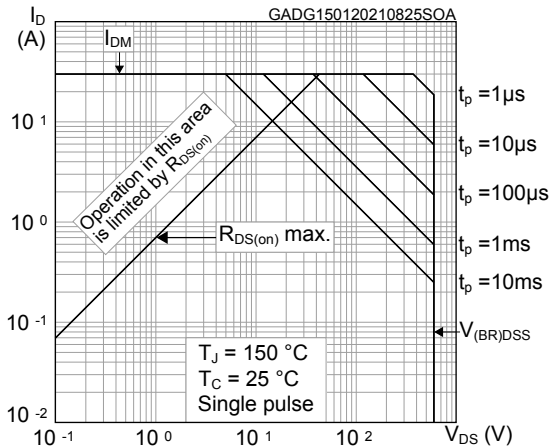
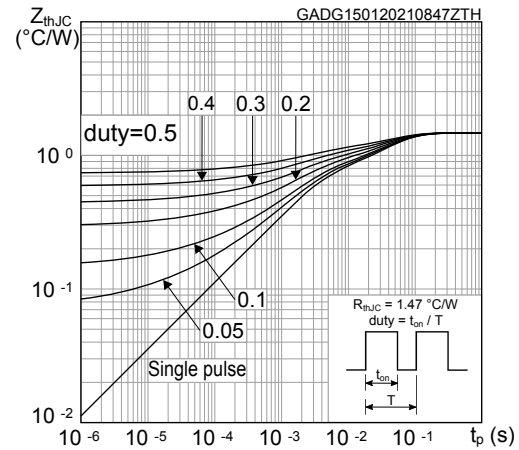
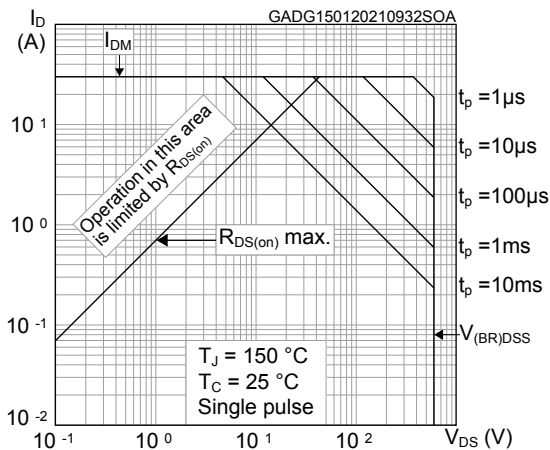
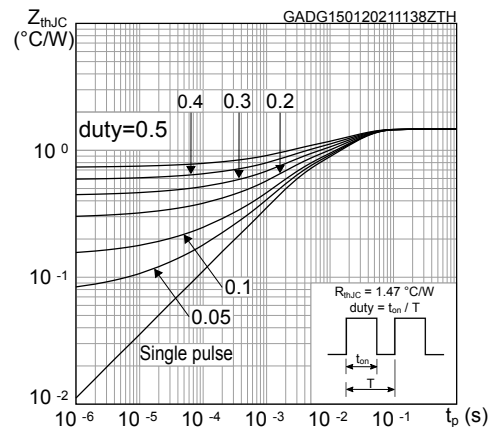
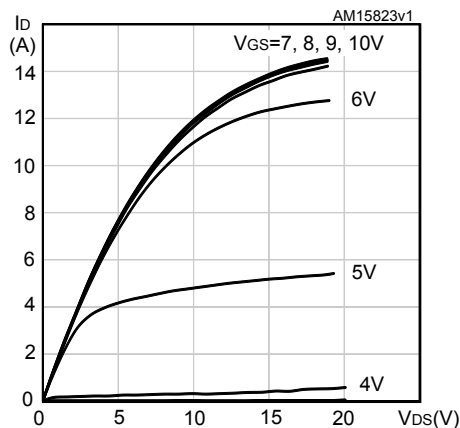
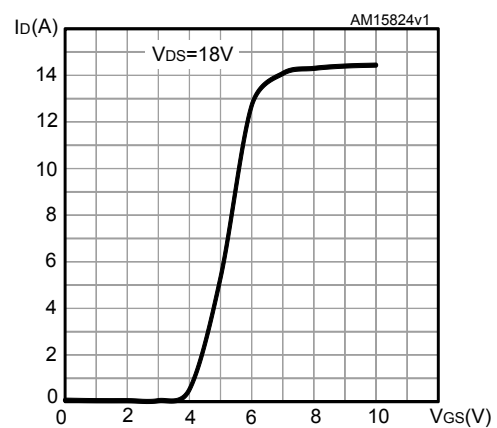
**Table 6. Switching times**

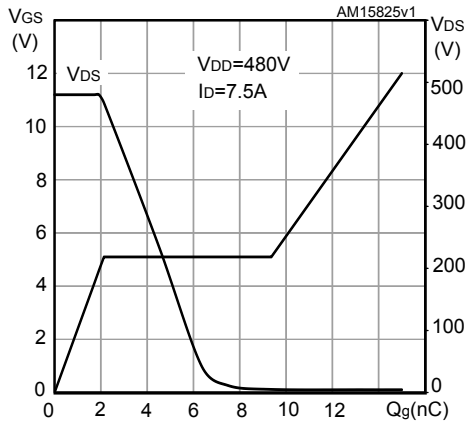
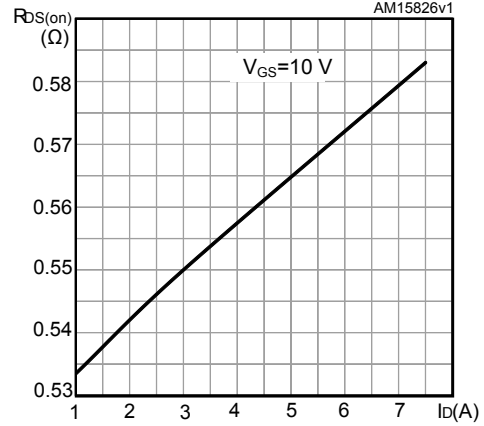
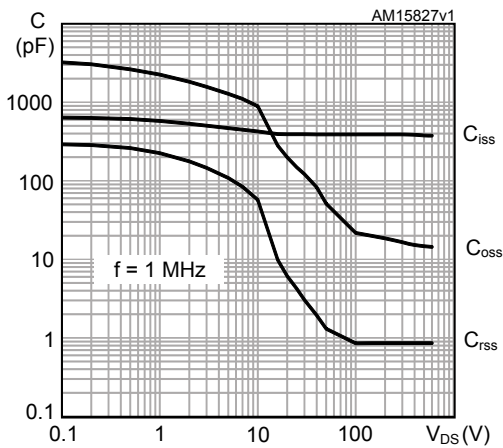
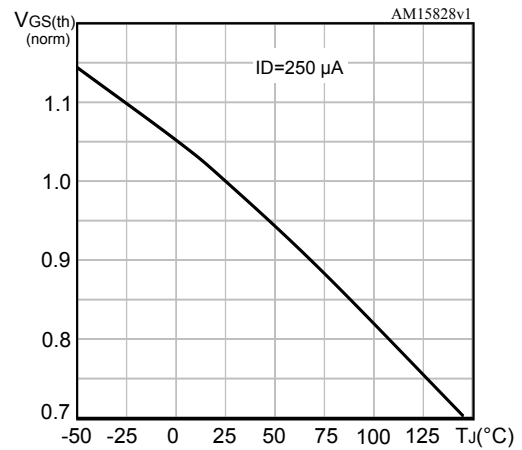
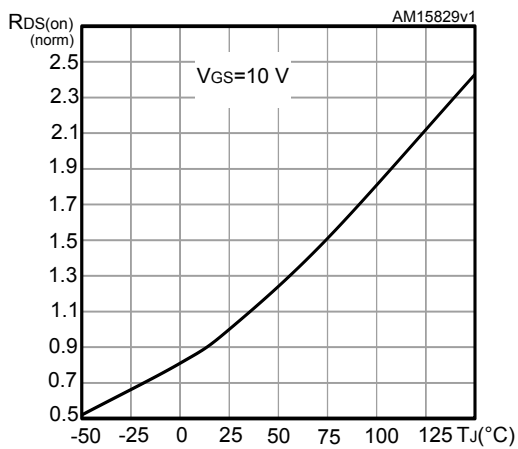
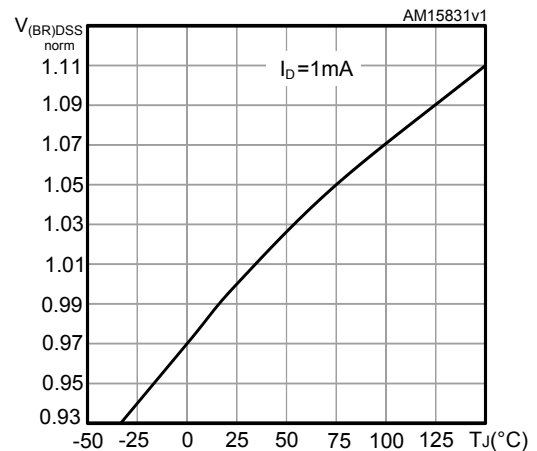
Symbol	Parameter	Test conditions	Min.	Typ.	Max.	Unit
$t_{d(on)}$	Turn-on delay time	$V_{DD} = 300\text{ V}$ , $I_D = 3.75\text{ A}$ , $R_G = 4.7\text{ }\Omega$ , $V_{GS} = 10\text{ V}$	-	8.8	-	ns
$t_r$	Rise time		-	8	-	ns
$t_{d(off)}$	Turn-off delay time	(see Figure 15. Test circuit for resistive load switching times and Figure 20. Switching time waveform)	-	32.5	-	ns
$t_f$	Fall time		-	13.2	-	ns

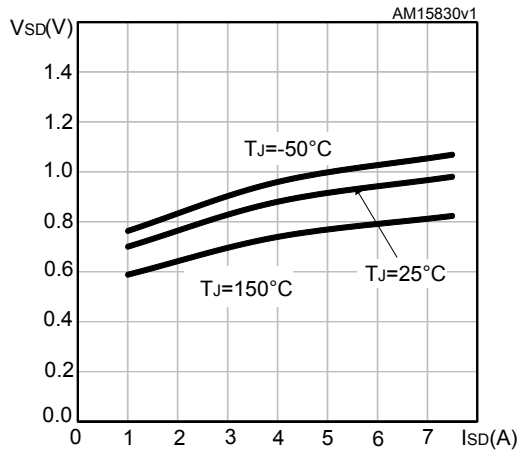
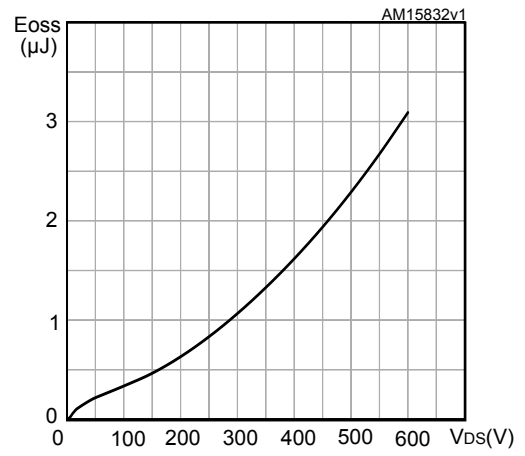
**Table 7. Source-drain diode**

Symbol	Parameter	Test conditions	Min.	Typ.	Max.	Unit
$I_{SD}$	Source-drain current		-		7.5	A
$I_{SDM}^{(1)}$	Source-drain current (pulsed)		-		30	A
$V_{SD}^{(2)}$	Forward on voltage	$V_{GS} = 0\text{ V}$ , $I_{SD} = 7.5\text{ A}$	-		1.6	V
$t_{rr}$	Reverse recovery time	$I_{SD} = 7.5\text{ A}$ , $di/dt = 100\text{ A}/\mu\text{s}$ ,	-	270		ns
$Q_{rr}$	Reverse recovery charge	$V_{DD} = 60\text{ V}$	-	2		$\mu\text{C}$
$I_{RRM}$	Reverse recovery current	(see Figure 17. Test circuit for inductive load switching and diode recovery times)	-	14.4		A
$t_{rr}$	Reverse recovery time	$I_{SD} = 7.5\text{ A}$ , $di/dt = 100\text{ A}/\mu\text{s}$ ,	-	376		ns
$Q_{rr}$	Reverse recovery charge	$V_{DD} = 60\text{ V}$ , $T_J = 150\text{ }^\circ\text{C}$	-	2.8		$\mu\text{C}$
$I_{RRM}$	Reverse recovery current	(see Figure 17. Test circuit for inductive load switching and diode recovery times)	-	15		A

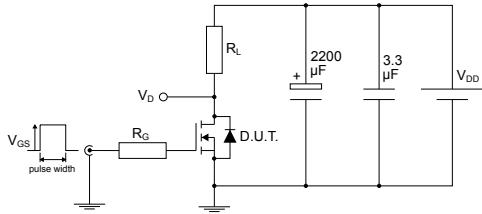
1. Pulse width is limited by safe operating area.
2. Pulse test: pulse duration = 300  $\mu\text{s}$ , duty cycle 1.5%.

**2.1 Electrical characteristics (curves)**
**Figure 1. Safe operating area for D<sup>2</sup>PAK and TO-220**

**Figure 2. Maximum transient thermal impedance for D<sup>2</sup>PAK and TO-220**

**Figure 3. Safe operating area for DPAK**

**Figure 4. Maximum transient thermal impedance for DPAK**

**Figure 5. Output characteristics**

**Figure 6. Transfer characteristics**


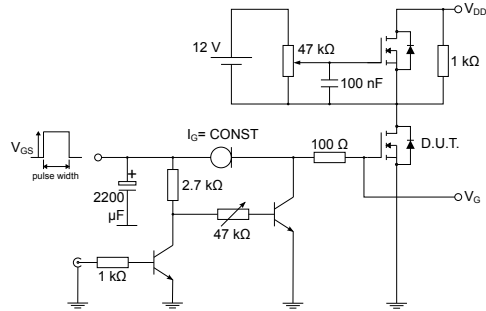
**Figure 7. Gate charge vs gate-source voltage**

**Figure 8. Static drain-source on-resistance**

**Figure 9. Capacitance variations**

**Figure 10. Normalized gate threshold voltage vs temperature**

**Figure 11. Normalized on-resistance vs temperature**

**Figure 12. Normalized V(BR)DSS vs temperature**


**Figure 13. Source-drain diode forward characteristics**

**Figure 14. Output capacitance stored energy**


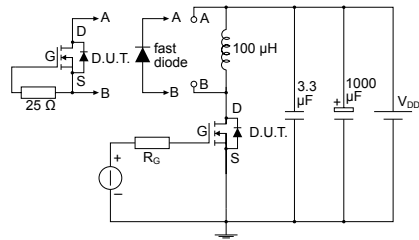
### 3 Test circuits

**Figure 15. Test circuit for resistive load switching times**


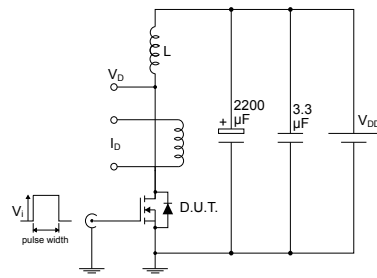
AM01468v1

**Figure 16. Test circuit for gate charge behavior**


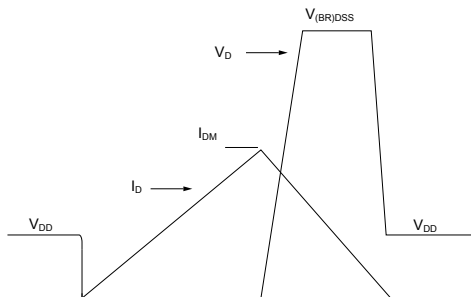
AM01469v1

**Figure 17. Test circuit for inductive load switching and diode recovery times**


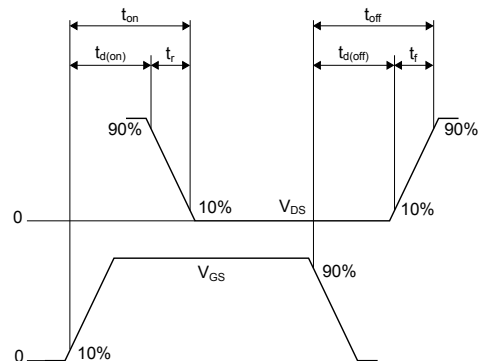
AM01470v1

**Figure 18. Unclamped inductive load test circuit**


AM01471v1

**Figure 19. Unclamped inductive waveform**


AM01472v1

**Figure 20. Switching time waveform**


AM01473v1

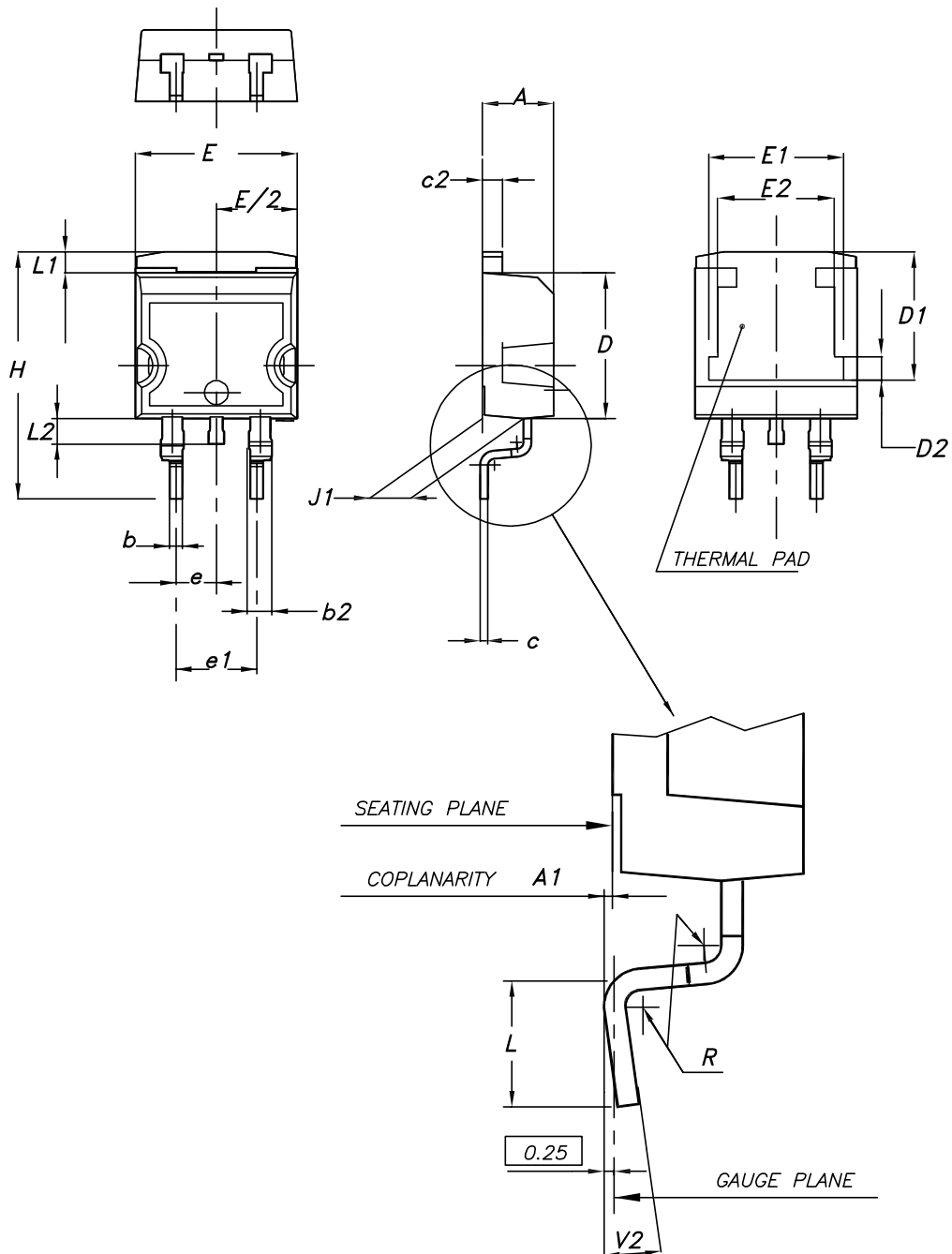


## 4 Package information

In order to meet environmental requirements, ST offers these devices in different grades of **ECOPACK** packages, depending on their level of environmental compliance. ECOPACK specifications, grade definitions and product status are available at: [www.st.com](http://www.st.com). ECOPACK is an ST trademark.

### 4.1 D<sup>2</sup>PAK (TO-263) type A package information

Figure 21. D<sup>2</sup>PAK (TO-263) type A package outline

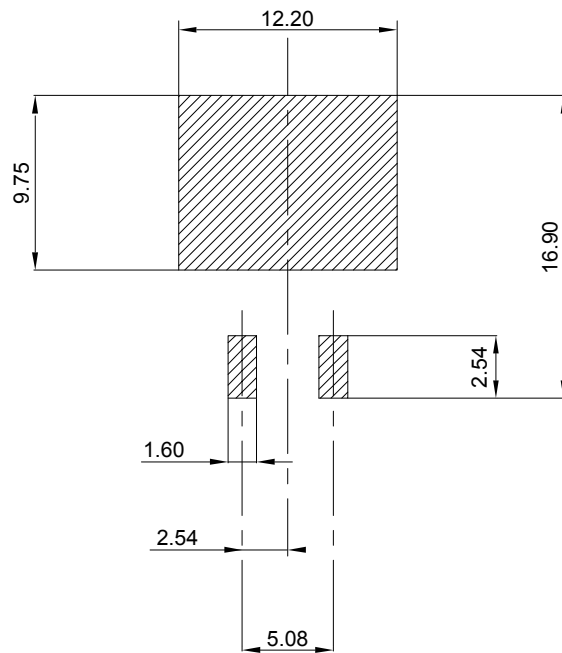


0079457\_26

**Table 8. D<sup>2</sup>PAK (TO-263) type A package mechanical data**

Dim.	mm		
	Min.	Typ.	Max.
A	4.40		4.60
A1	0.03		0.23
b	0.70		0.93
b2	1.14		1.70
c	0.45		0.60
c2	1.23		1.36
D	8.95		9.35
D1	7.50	7.75	8.00
D2	1.10	1.30	1.50
E	10.00		10.40
E1	8.30	8.50	8.70
E2	6.85	7.05	7.25
e		2.54	
e1	4.88		5.28
H	15.00		15.85
J1	2.49		2.69
L	2.29		2.79
L1	1.27		1.40
L2	1.30		1.75
R		0.40	
V2	0°		8°

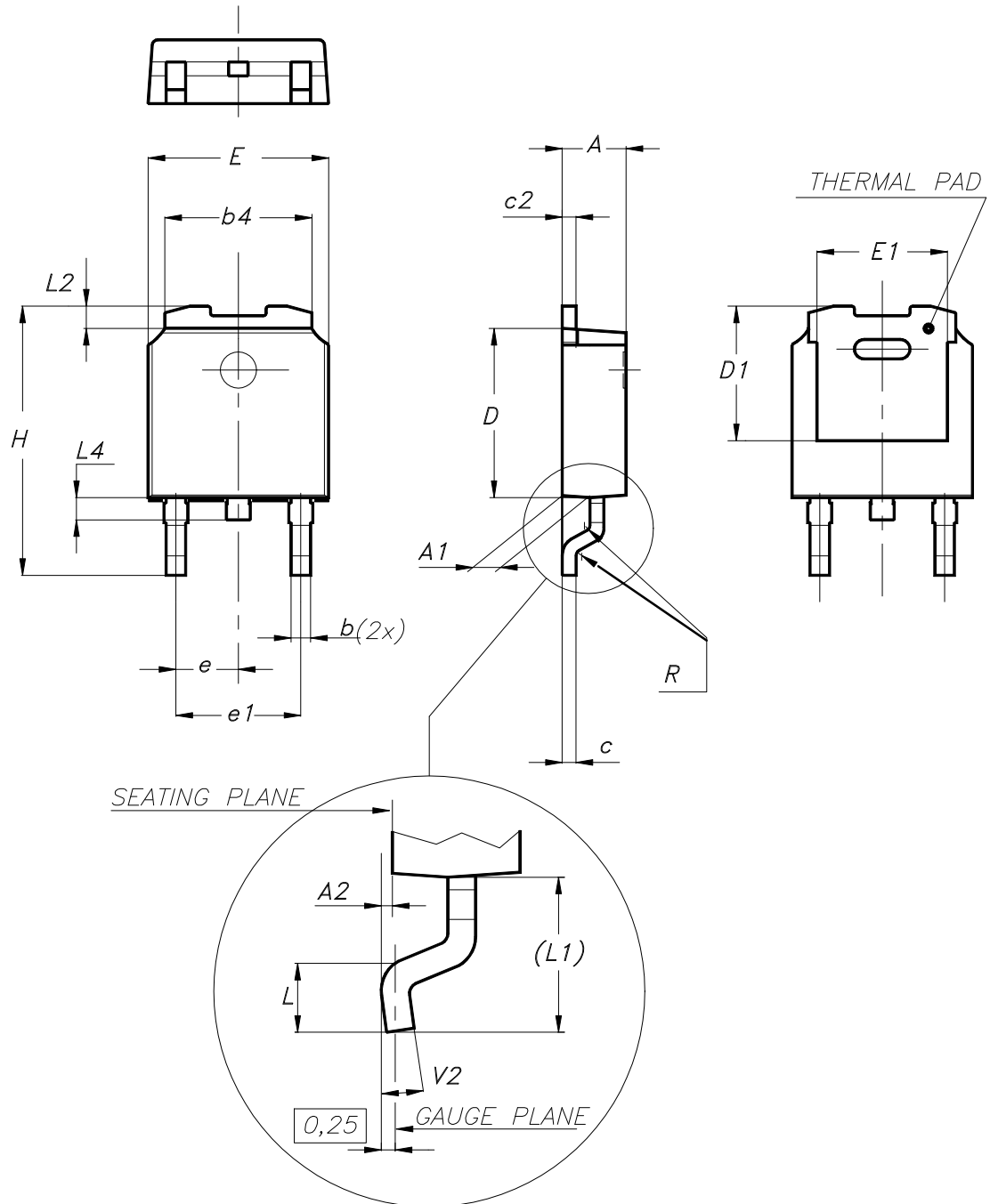
Figure 22. D<sup>2</sup>PAK (TO-263) recommended footprint (dimensions are in mm)



Footprint\_26

## 4.2 DPAK (TO-252) type A package information

Figure 23. DPAK (TO-252) type A package outline



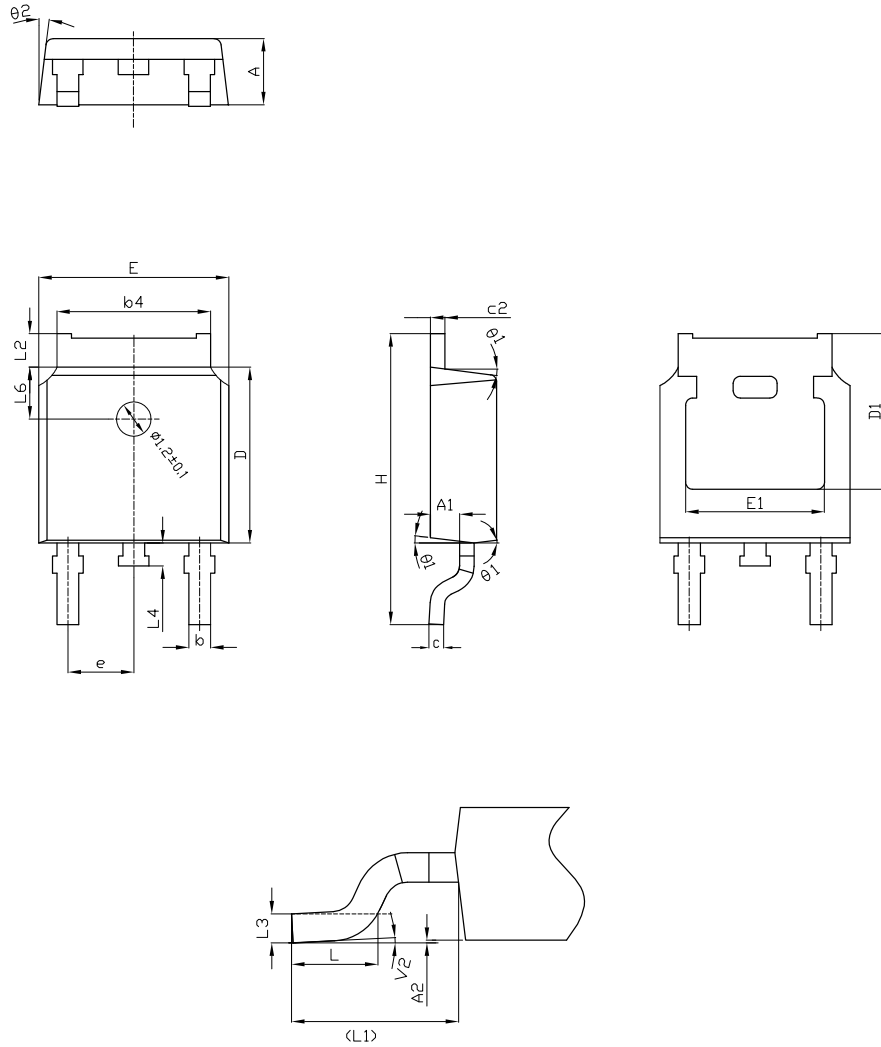
0068772\_A\_30

**Table 9. DPAK (TO-252) type A mechanical data**

Dim.	mm		
	Min.	Typ.	Max.
A	2.20		2.40
A1	0.90		1.10
A2	0.03		0.23
b	0.64		0.90
b4	5.20		5.40
c	0.45		0.60
c2	0.48		0.60
D	6.00		6.20
D1	4.95	5.10	5.25
E	6.40		6.60
E1	4.60	4.70	4.80
e	2.159	2.286	2.413
e1	4.445	4.572	4.699
H	9.35		10.10
L	1.00		1.50
(L1)	2.60	2.80	3.00
L2	0.65	0.80	0.95
L4	0.60		1.00
R		0.20	
V2	0°		8°

### 4.3 DPAK (TO-252) type C package information

Figure 24. DPAK (TO-252) type C package outline



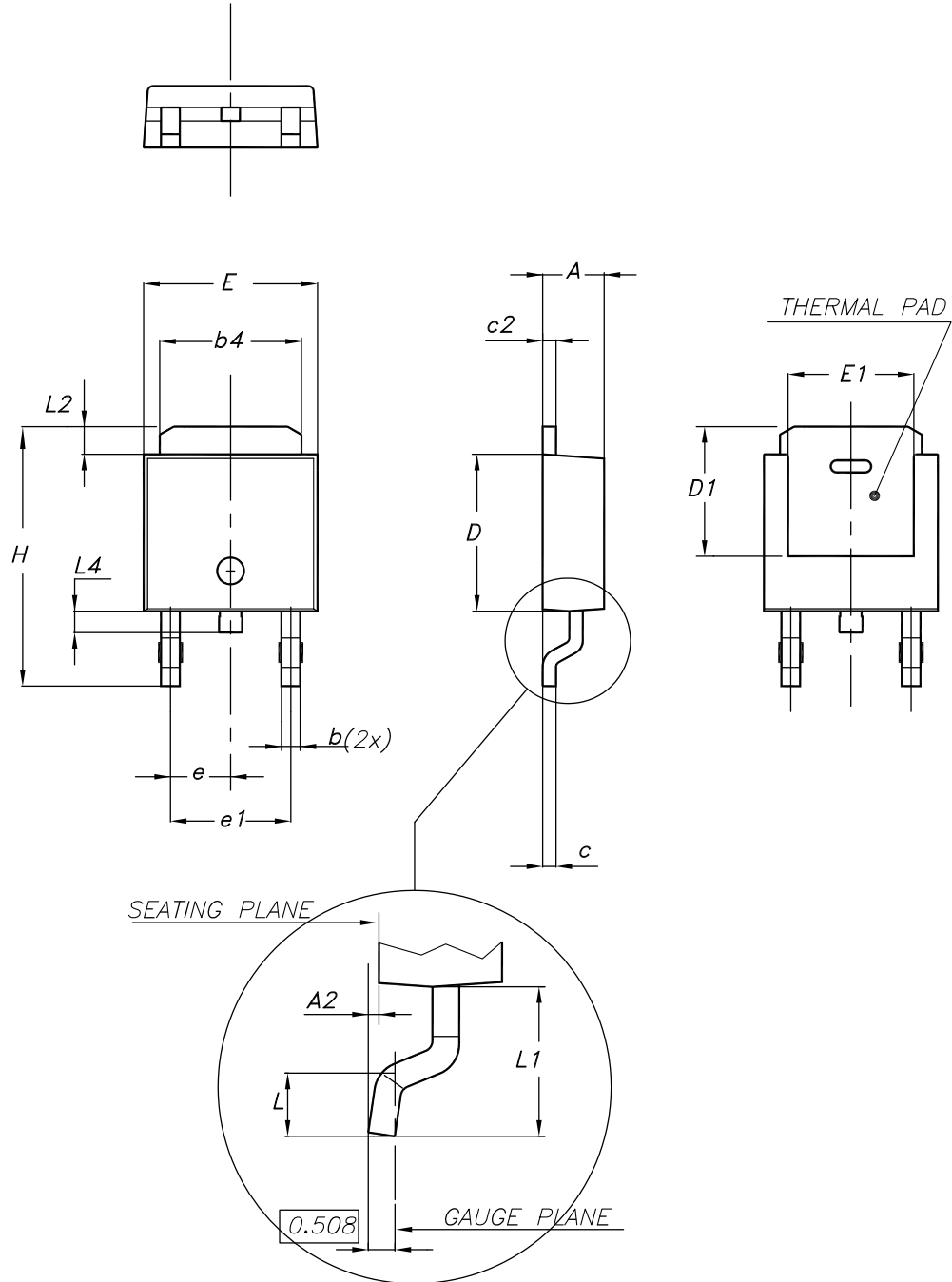
0068772\_C\_30

**Table 10. DPAK (TO-252) type C mechanical data**

Dim.	mm		
	Min.	Typ.	Max.
A	2.20	2.30	2.38
A1	0.90	1.01	1.10
A2	0.00		0.10
b	0.72		0.85
b4	5.13	5.33	5.46
c	0.47		0.60
c2	0.47		0.60
D	6.00	6.10	6.20
D1	5.25		
E	6.50	6.60	6.70
E1	4.70		
e	2.186	2.286	2.386
H	9.80	10.10	10.40
L	1.40	1.50	1.70
L1	2.90 REF		
L2	0.90		1.25
L3	0.51 BSC		
L4	0.60	0.80	1.00
L6	1.80 BSC		
θ1	5°	7°	9°
θ2	5°	7°	9°
V2	0°		8°

#### 4.4 DPAK (TO-252) type E package information

Figure 25. DPAK (TO-252) type E package outline



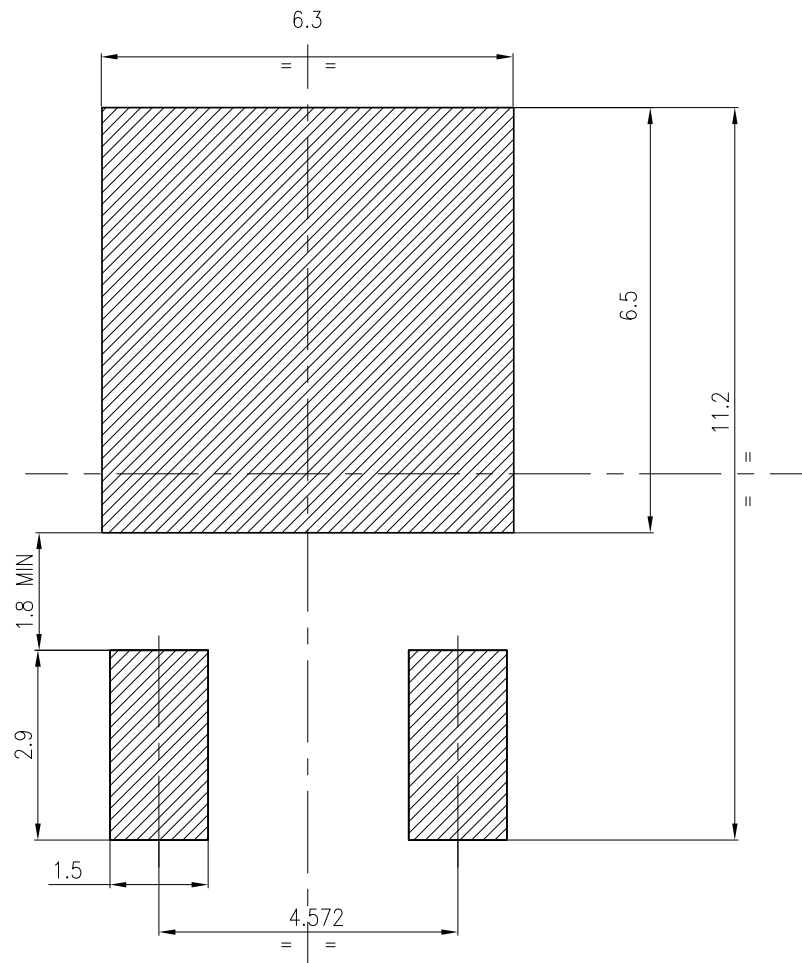
0068772\_typeE\_rev.30



**Table 11. DPAK (TO-252) type E mechanical data**

Dim.	mm		
	Min.	Typ.	Max.
A	2.18		2.39
A2			0.13
b	0.65		0.884
b4	4.95		5.46
c	0.46		0.61
c2	0.46		0.60
D	5.97		6.22
D1	5.21		
E	6.35		6.73
E1	4.32		
e		2.286	
e1		4.572	
H	9.94		10.34
L	1.50		1.78
L1		2.74	
L2	0.89		1.27
L4			1.02

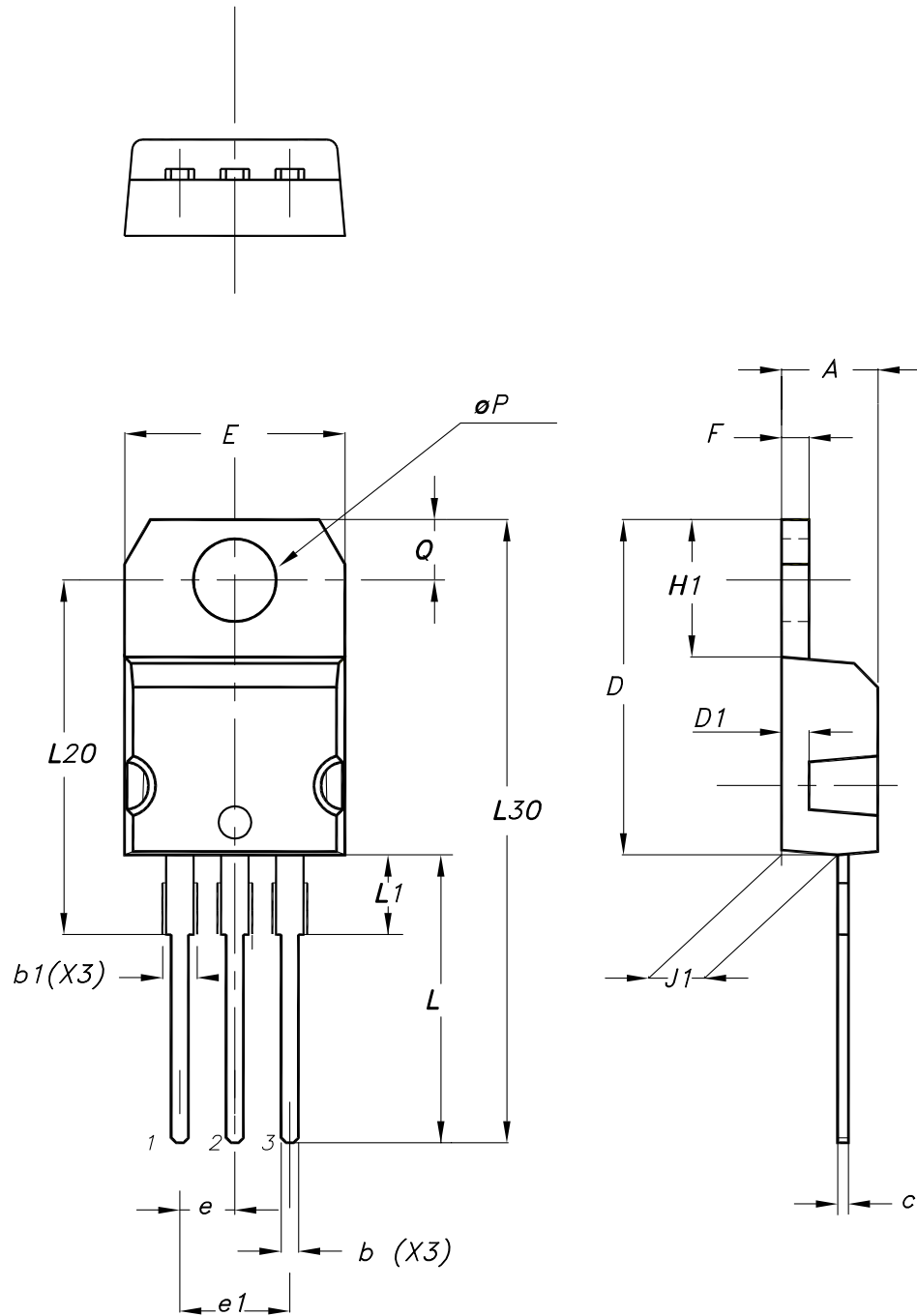
Figure 26. DPAK (TO-252) recommended footprint (dimensions are in mm)



FP\_0068772\_30

### 4.5 TO-220 type A package information

Figure 27. TO-220 type A package outline



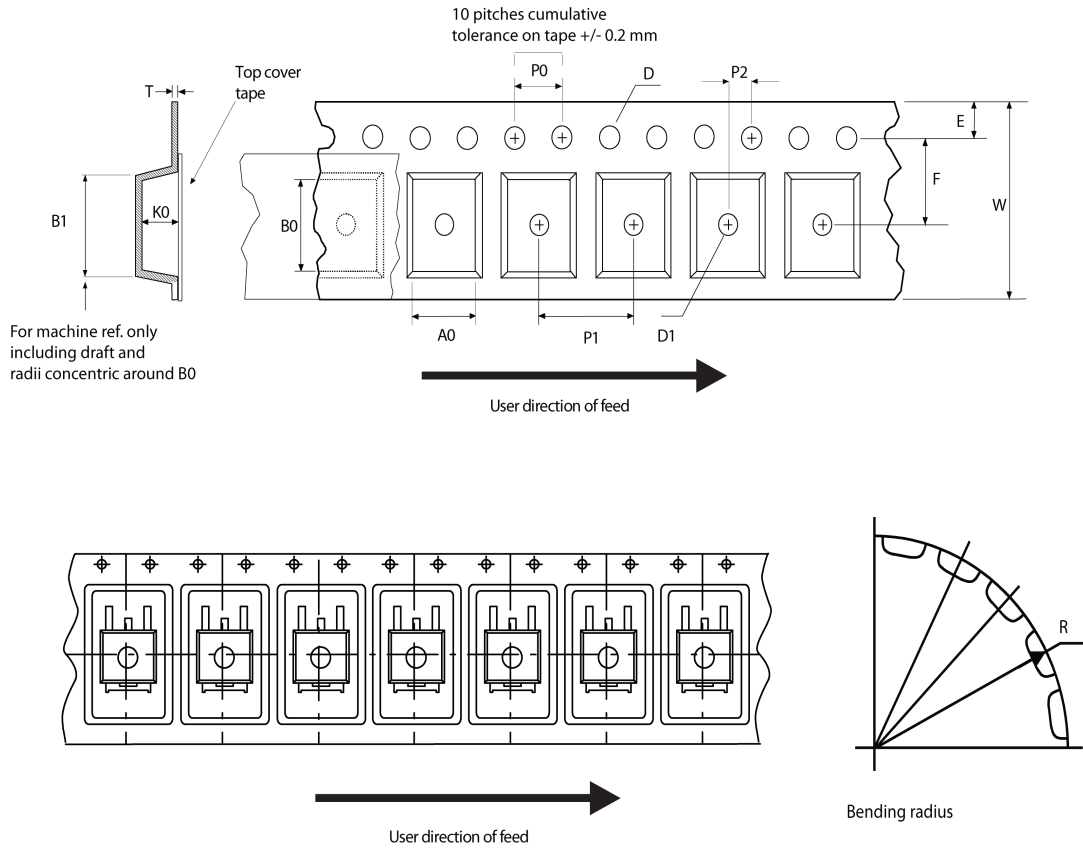
0015988\_typeA\_Rev\_23

**Table 12. TO-220 type A package mechanical data**

Dim.	mm		
	Min.	Typ.	Max.
A	4.40		4.60
b	0.61		0.88
b1	1.14		1.55
c	0.48		0.70
D	15.25		15.75
D1		1.27	
E	10.00		10.40
e	2.40		2.70
e1	4.95		5.15
F	1.23		1.32
H1	6.20		6.60
J1	2.40		2.72
L	13.00		14.00
L1	3.50		3.93
L20		16.40	
L30		28.90	
øP	3.75		3.85
Q	2.65		2.95
Slug flatness		0.03	0.10

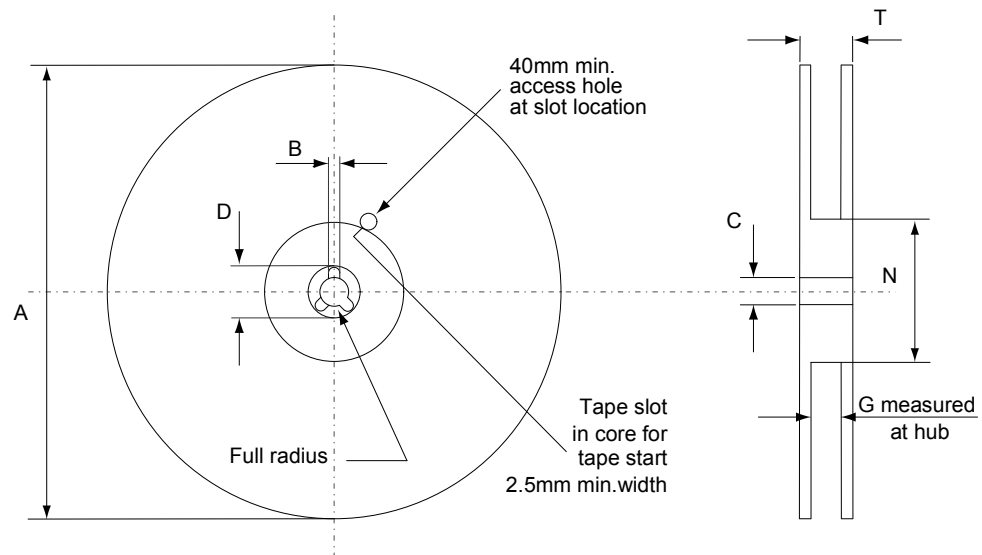
## 4.6 D<sup>2</sup>PAK and DPAK packing information

Figure 28. Tape outline



AM08852v1

Figure 29. Reel outline



AM06038v1

Table 13. D<sup>2</sup>PAK tape and reel mechanical data

Tape			Reel		
Dim.	mm		Dim.	mm	
	Min.	Max.		Min.	Max.
A0	10.5	10.7	A		330
B0	15.7	15.9	B	1.5	
D	1.5	1.6	C	12.8	13.2
D1	1.59	1.61	D	20.2	
E	1.65	1.85	G	24.4	26.4
F	11.4	11.6	N	100	
K0	4.8	5.0	T		30.4
P0	3.9	4.1			
P1	11.9	12.1	Base quantity		1000
P2	1.9	2.1	Bulk quantity		1000
R	50				
T	0.25	0.35			
W	23.7	24.3			

**Table 14. DPAK tape and reel mechanical data**

Tape			Reel		
Dim.	mm		Dim.	mm	
	Min.	Max.		Min.	Max.
A0	6.8	7	A		330
B0	10.4	10.6	B	1.5	
B1		12.1	C	12.8	13.2
D	1.5	1.6	D	20.2	
D1	1.5		G	16.4	18.4
E	1.65	1.85	N	50	
F	7.4	7.6	T		22.4
K0	2.55	2.75			
P0	3.9	4.1	Base qty.		2500
P1	7.9	8.1	Bulk qty.		2500
P2	1.9	2.1			
R	40				
T	0.25	0.35			
W	15.7	16.3			

## 5 Order codes

**Table 15. Device summary**

Order code	Marking	Package	Packing
STB10N60M2	10N60M2	D <sup>2</sup> PAK	Tape and reel
STD10N60M2		DPAK	
STP10N60M2		TO-220	Tube



## Revision history

**Table 16. Document revision history**

Date	Version	Changes
29-May-2013	1	First release.
06-Dec-2013	2	<ul style="list-style-type: none"> <li>– Added: D<sup>2</sup>PAK package</li> <li>– Modified: title and <math>R_{DS(on)}</math> values in cover page</li> <li>– Modified: <math>R_{DS(on)}</math> values in <i>Table 5</i></li> <li>– Modified: <math>R_G</math> value in <i>Table 6</i></li> <li>– Modified: <i>Figure 9</i> and <math>I_D</math> value in <i>Figure 12</i></li> <li>– Added: <i>Table 9, 13, Figure 22</i> and <i>23</i></li> <li>– Updated: <i>Table 10, 11, Figure 24, 25</i> and <i>26</i></li> </ul> Minor text changes.
08-Mar-2017	3	Updated the title and the description in cover page. Updated <i>Table 4: "Avalanche characteristics"</i> . Updated <i>Section 4.2: "DPAK (TO-252) type A package information"</i> . Added <i>Section 4.4: "DPAK (TO-252) type E package information"</i> , and <i>Section 4.7: "IPAK (TO-251) type C package information"</i> . Minor text changes.
19-Jan-2021	4	The part number STU10N60M2 have been removed and the document has been updated accordingly. Updated <i>Figure 1. Safe operating area for D<sup>2</sup>PAK and TO-220</i> , <i>Figure 2. Maximum transient thermal impedance for D<sup>2</sup>PAK and TO-220</i> , <i>Figure 3. Safe operating area for DPAK and</i> <i>Figure 4. Maximum transient thermal impedance for DPAK</i> . Minor text changes.

## Contents

<b>1</b>	<b>Electrical ratings</b> .....	<b>2</b>
<b>2</b>	<b>Electrical characteristics</b> .....	<b>3</b>
<b>2.1</b>	Electrical characteristics (curves) .....	<b>5</b>
<b>3</b>	<b>Test circuits</b> .....	<b>8</b>
<b>4</b>	<b>Package information</b> .....	<b>9</b>
<b>4.1</b>	D <sup>2</sup> PAK (TO-263) type A package information .....	<b>9</b>
<b>4.2</b>	DPAK (TO-252) type A package information .....	<b>12</b>
<b>4.3</b>	DPAK (TO-252) type C package information .....	<b>14</b>
<b>4.4</b>	DPAK (TO-252) type E package information .....	<b>16</b>
<b>4.5</b>	TO-220 type A package information .....	<b>19</b>
<b>4.6</b>	D <sup>2</sup> PAK and DPAK packing information .....	<b>21</b>
<b>5</b>	<b>Order codes</b> .....	<b>24</b>
	<b>Revision history</b> .....	<b>25</b>

**IMPORTANT NOTICE – PLEASE READ CAREFULLY**

STMicroelectronics NV and its subsidiaries (“ST”) reserve the right to make changes, corrections, enhancements, modifications, and improvements to ST products and/or to this document at any time without notice. Purchasers should obtain the latest relevant information on ST products before placing orders. ST products are sold pursuant to ST’s terms and conditions of sale in place at the time of order acknowledgement.

Purchasers are solely responsible for the choice, selection, and use of ST products and ST assumes no liability for application assistance or the design of Purchasers’ products.

No license, express or implied, to any intellectual property right is granted by ST herein.

Resale of ST products with provisions different from the information set forth herein shall void any warranty granted by ST for such product.

ST and the ST logo are trademarks of ST. For additional information about ST trademarks, please refer to [www.st.com/trademarks](http://www.st.com/trademarks). All other product or service names are the property of their respective owners.

Information in this document supersedes and replaces information previously supplied in any prior versions of this document.

© 2021 STMicroelectronics – All rights reserved