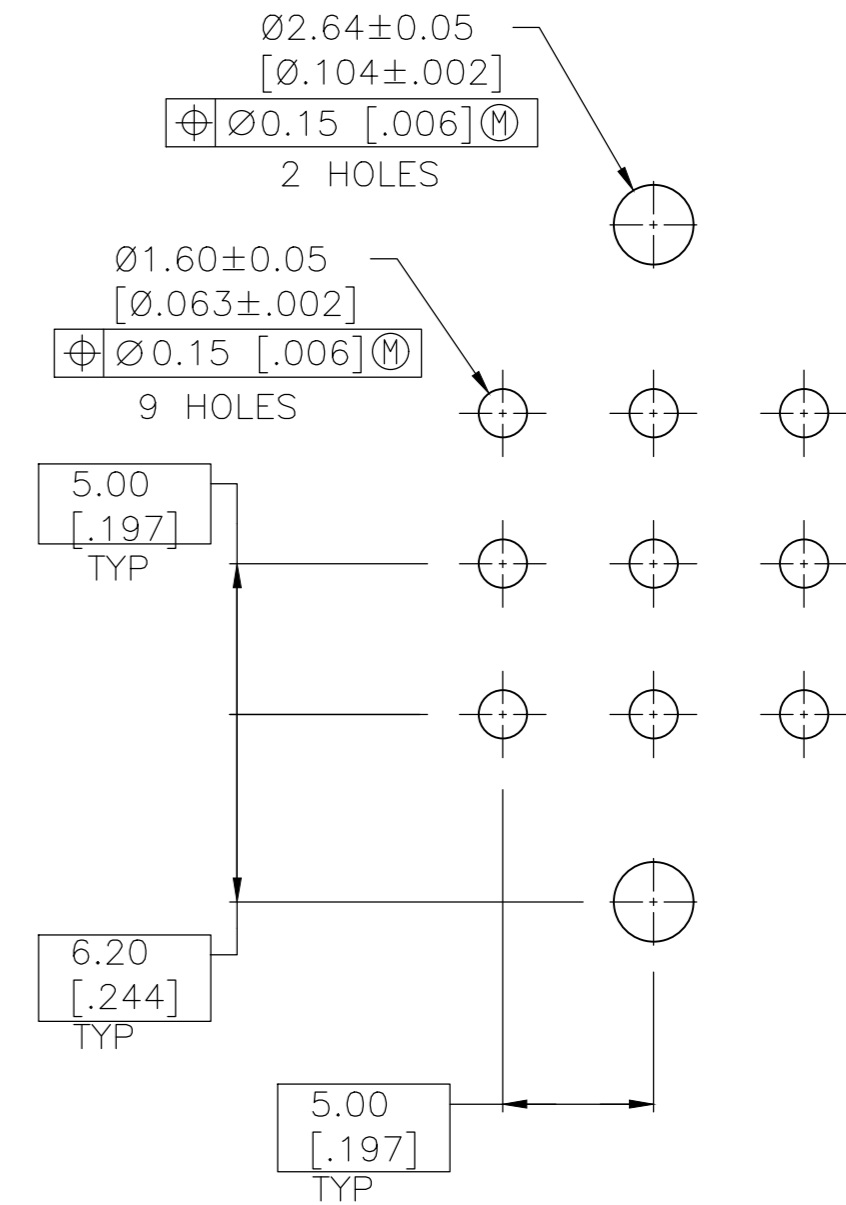
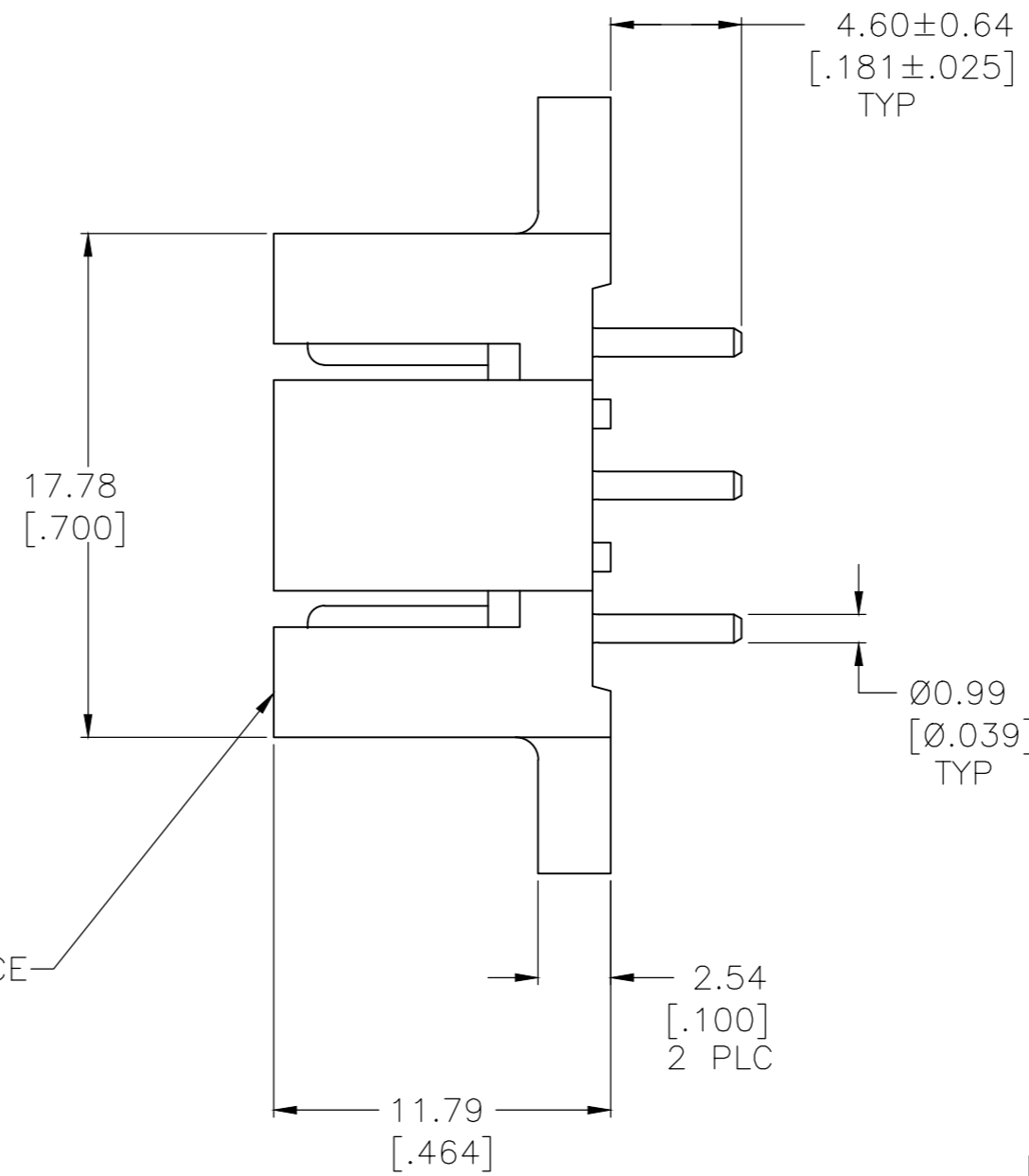
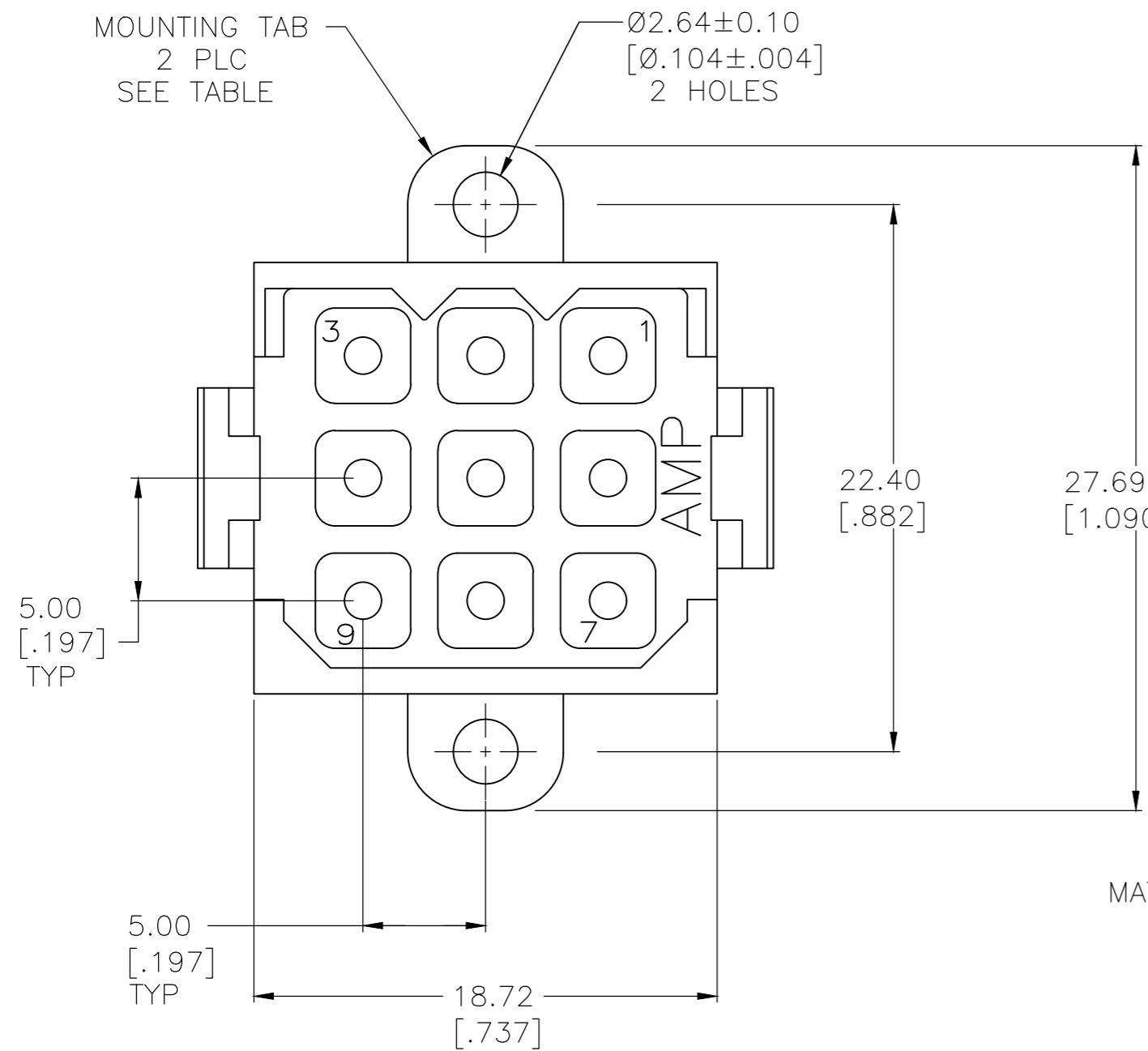
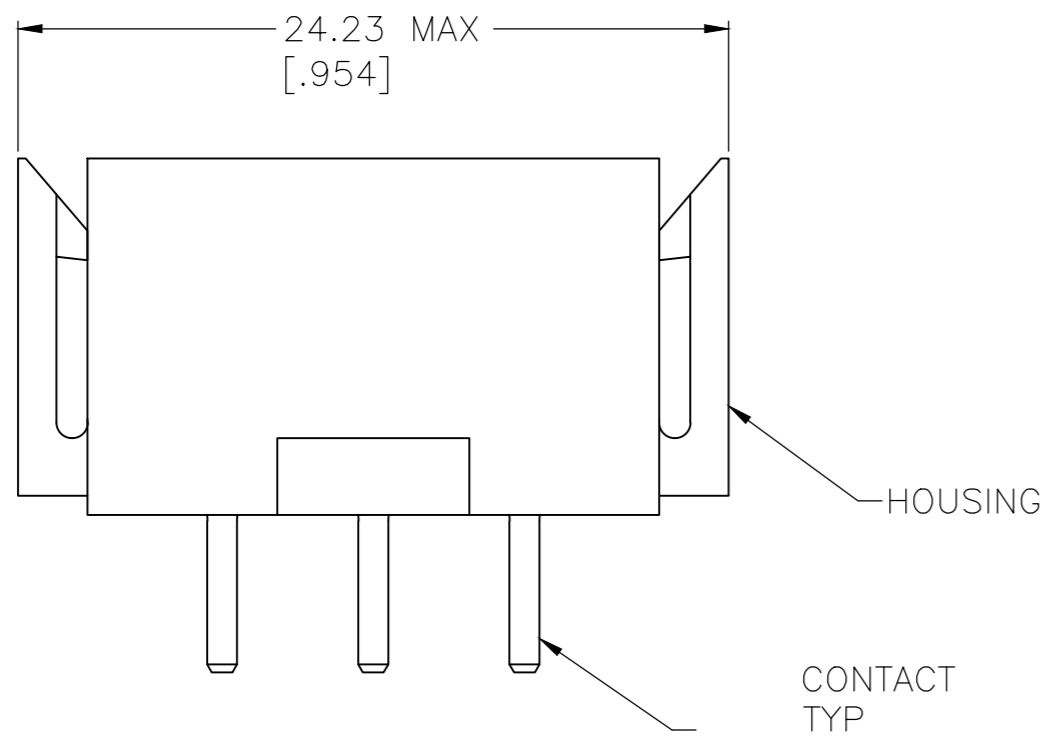


REVISIONS					
P	LTR	DESCRIPTION	DATE	DWN	APVD
N		REVISED PER ECO-16-004940	29JUL2016	NK	MZ
P		REVISED PER ECO-18-000441	24JAN2018	RS	MZ
R		REVISED PER ECO-20-002045	13FEB2020	RK	MZ



### RECOMMENDED PC BOARD LAYOUT



- ▲ HOUSING MATERIAL: PA66, BLACK, UL 94 V-0 RATED.
- ▲ CONTACT MATERIAL: BRASS PER ASTM B36.
- ▲ 3.81  $\mu$ m [.000150] MIN TIN OVER 2.54  $\mu$ m [.000100] MIN COPPER.
- ▲ 0.76  $\mu$ m [.000030] MIN GOLD FOR A LENGTH OF 5.08 [.200] FROM MATING END, 3.81  $\mu$ m [.000150] MIN TIN FOR A LENGTH OF 4.83 [.190] MIN FROM OPPOSITE END, BOTH OVER 1.27  $\mu$ m [.000050] MIN NICKEL.
- ▲ 3.81  $\mu$ m [.000150] MIN LEAD FREE TIN OVER 2.54  $\mu$ m [.000100] MIN COPPER.
- ▲ 0.76  $\mu$ m [.000030] MIN GOLD FOR A LENGTH OF 5.08 [.200] FROM MATING END, 3.81  $\mu$ m [.000150] MIN LEAD FREE TIN FOR A LENGTH OF 4.83 [.190] MIN FROM OPPOSITE END, BOTH OVER 1.27  $\mu$ m [.000050] MIN NICKEL.

6	YES	1-207441-0
6	NO	207441-9
5	NO	207441-8
5	YES	207441-7
4	NO	207441-4
4	YES	207441-3
3	NO	207441-2
3	YES	207441-1
CONTACT FINISH	MOUNTING TABS	PART NO

THIS DRAWING IS A CONTROLLED DOCUMENT.		DWN	03/10/92	TE Connectivity	
DIMENSIONS: mm [INCHES]		L.SIPE	3-17-92	PIN HEADER ASSEMBLY, 9 POSITION, METRIMATE	
TOLERANCES UNLESS OTHERWISE SPECIFIED:		CHK	R.STONE	SIZE	
0 PLC $\pm$ -		APVD	A.TRAVIS	CAGE CODE	DRAWING NO
1 PLC $\pm$ -		PRODUCT SPEC	108-10033	00779	C=207441
2 PLC $\pm$ 0.25 [.010]		APPLICATION SPEC	-	SCALE	SHEET
3 PLC $\pm$ -		FINISH	-	4:1	1 OF 1
4 PLC $\pm$ -		CONTACT: SEE TABLE	-	REV	R
ANGLES $\pm$ -		MATERIAL	HOUSING: ▲ CONTACT: ▲	CUSTOMER DRAWING	