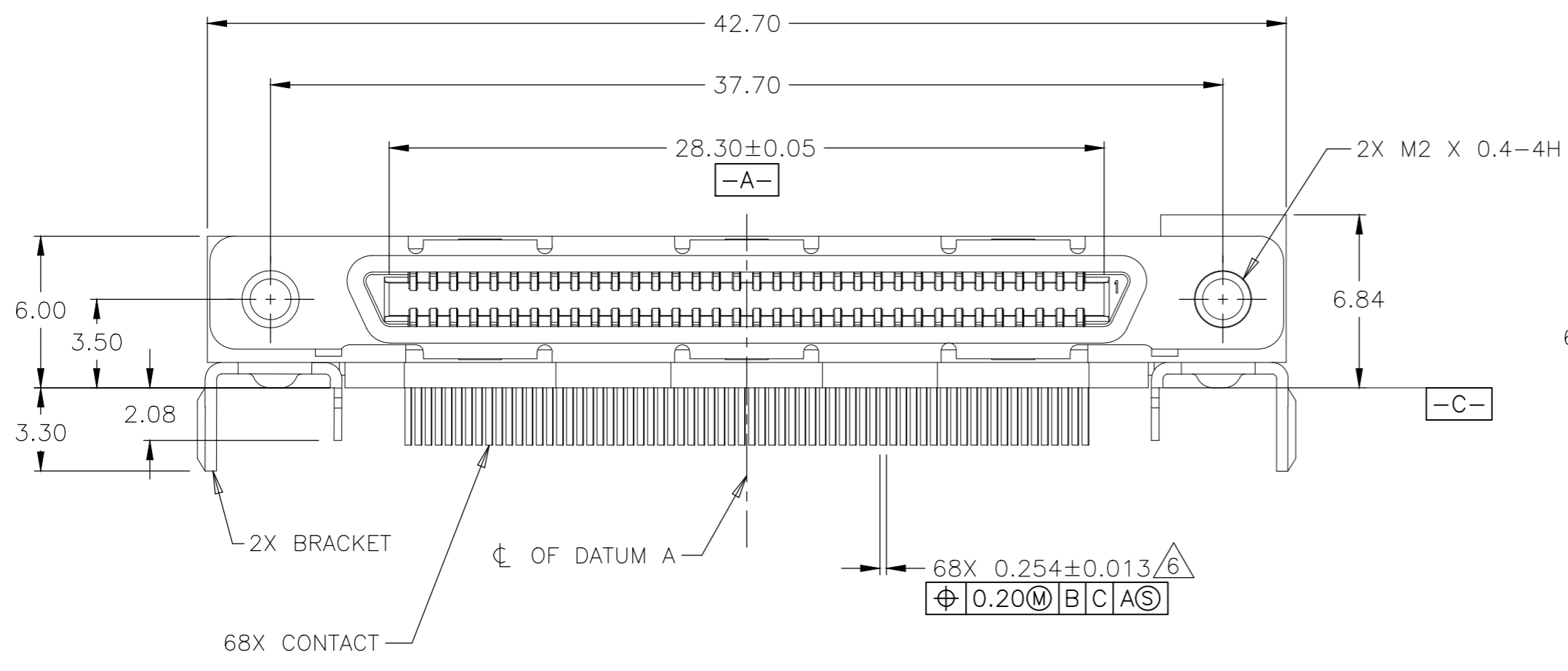
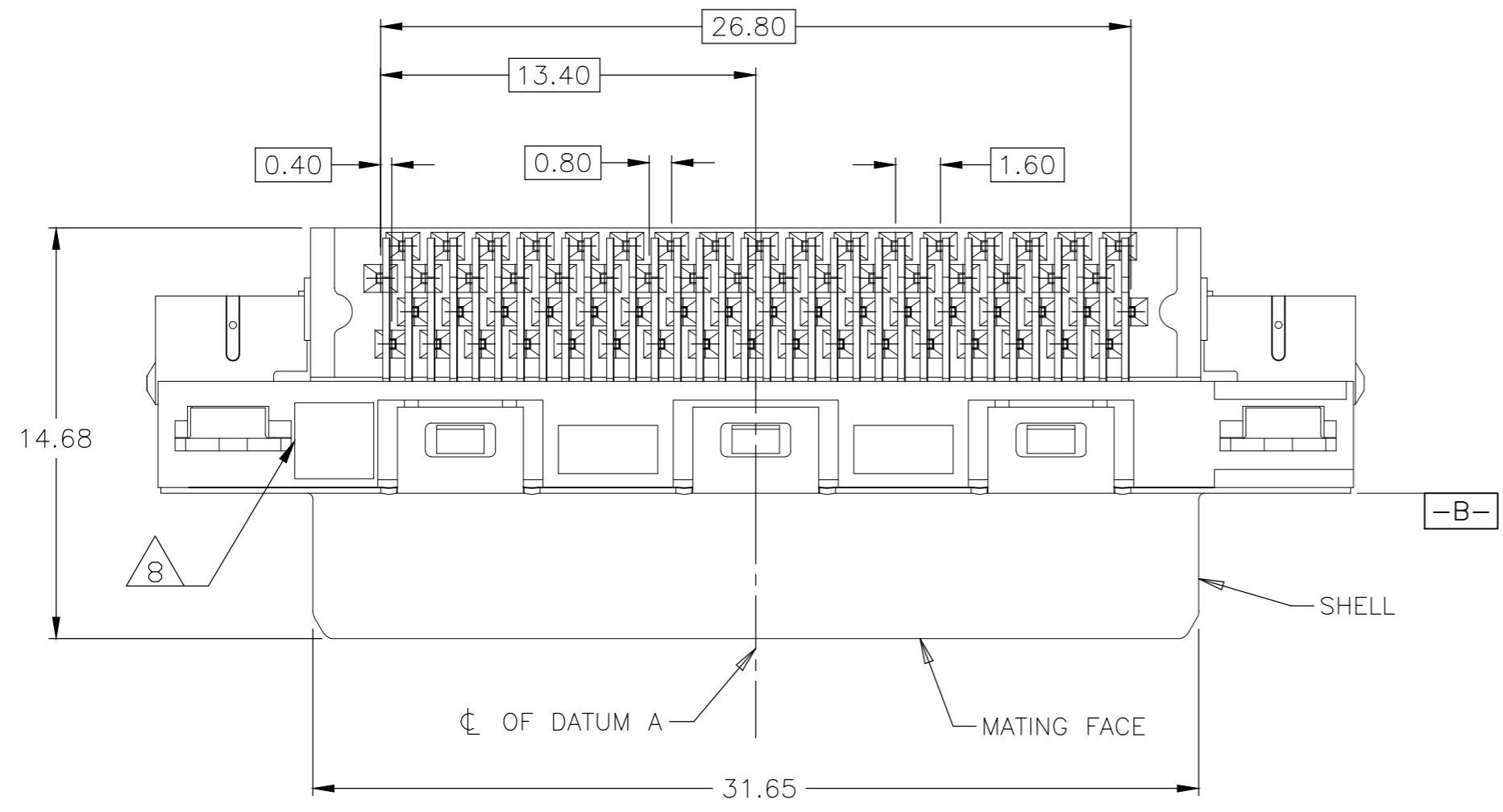
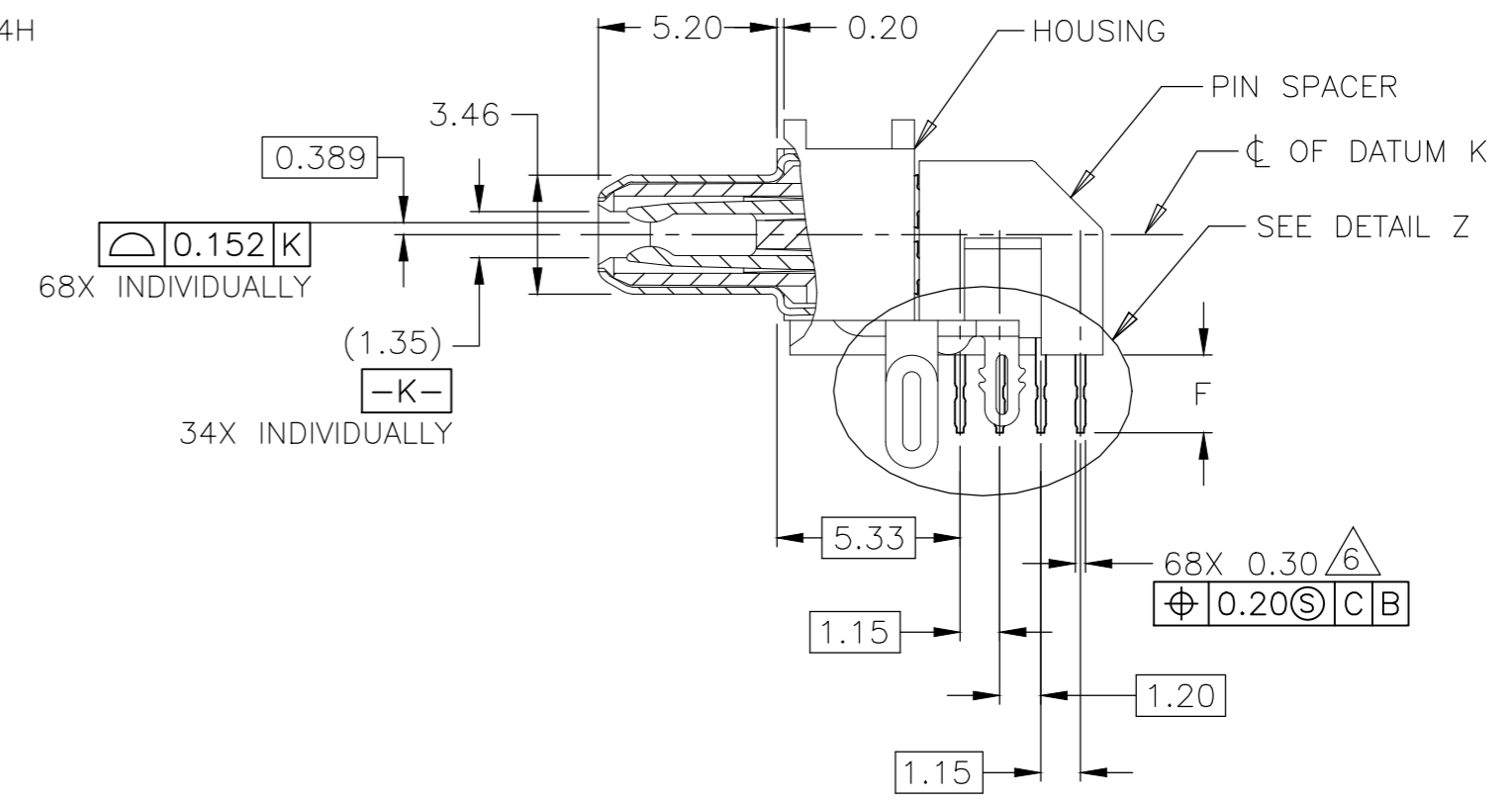


THIS DRAWING IS UNPUBLISHED. RELEASED FOR PUBLICATION
 © COPYRIGHT - By - ALL RIGHTS RESERVED.

REVISIONS				
P	LTR	DESCRIPTION	DATE	APVD
D1		REVISED PER ECO-20-002774	26FEB2020	SH SH



- ① HOUSING & PIN SPACER: THERMOPLASTIC, BLACK, UL 94V-0 RATED. SHELL: CARBON STEEL. CONTACTS: PHOSPHOR BRONZE. BRACKETS: STEEL.
- ② SHELL: 5.08µm MIN NICKEL OVER 2.54µm MIN COPPER. CONTACTS: 0.76µm MIN GOLD ON MATING END, 3.75µm MIN TIN ON SOLDER TAILS, BOTH OVER 1.27µm MIN NICKEL ON ENTIRE CONTACT. BRACKETS: TIN PLATED.
- ③ CONTACTS DESIGNED FOR USE ON 1.60±0.15 THICK PC BOARD WITH PLATED THRU MOUNTING HOLES.
- ④ RECEPTACLE ASSEMBLY DESIGNED FOR USE WITH 1.12±0.08 THICK PANEL.
- ⑤ DATUMS AND DIMENSIONS ESTABLISHED BY CUSTOMER.
- ⑥ POSITION TOLERANCE APPLIES AT CONTACT TIP ONLY.
- ⑦ CONTACTS DESIGNED FOR USE ON 2.35±0.15 THICK PC BOARD WITH PLATED THRU MOUNTING HOLES.
- ⑧ DATE CODE MARKED IN APPROXIMATE AREA SHOWN.
- ⑨ CONTACTS DESIGNED FOR USE ON 4.34±0.15 THICK PC BOARD WITH PLATED THRU MOUNTING HOLES.
- ⑩ CONTACTS DESIGNED FOR USE ON 1.95±0.15 THICK PC BOARD WITH PLATED THRU MOUNTING HOLES.

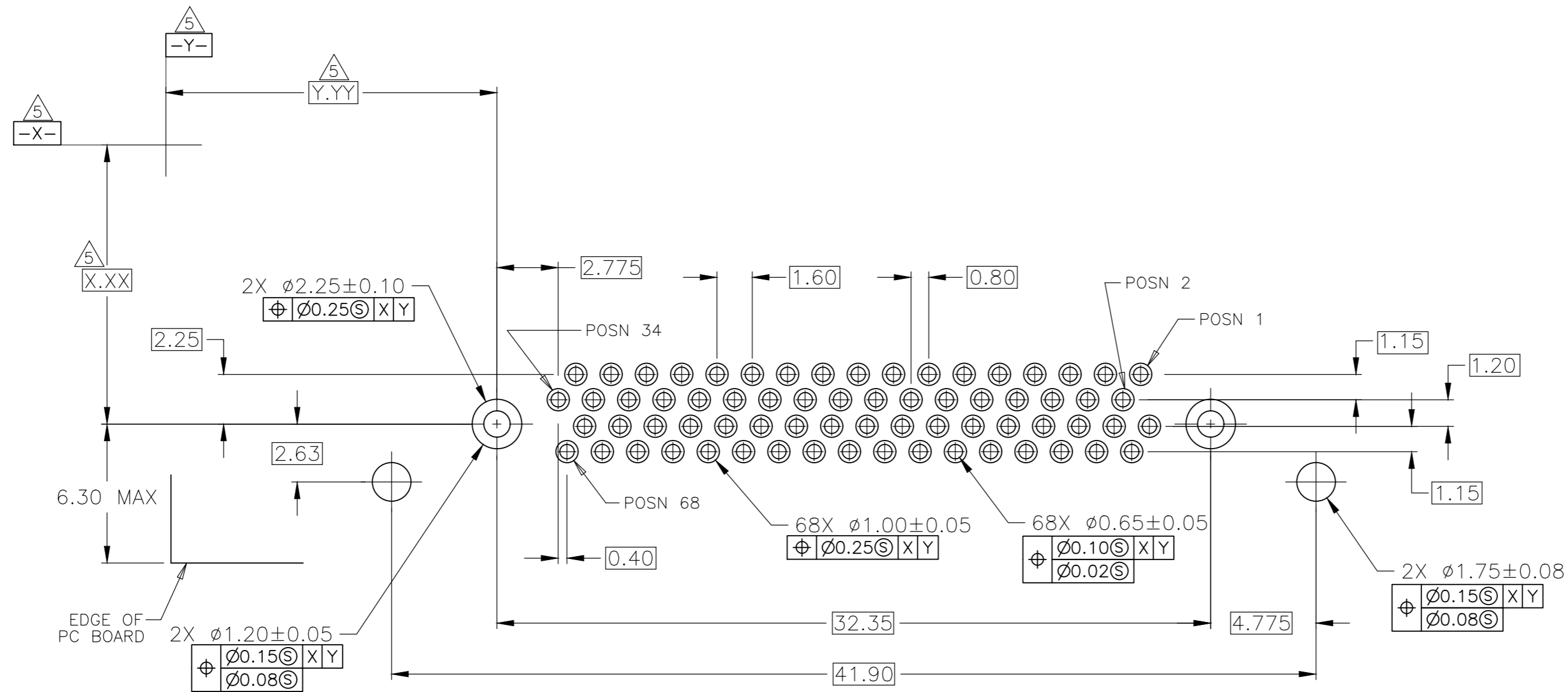


SOFT TRAY	⑩	2.75	5796055-5
SOFT TRAY	⑨	5.59	5796055-4
HARD TRAY	⑦	3.55	5796055-3
SOFT TRAY	⑦	3.55	5796055-2
SOFT TRAY	③	2.27	5796055-1
TRAY	REMARKS	F	PART NUMBER

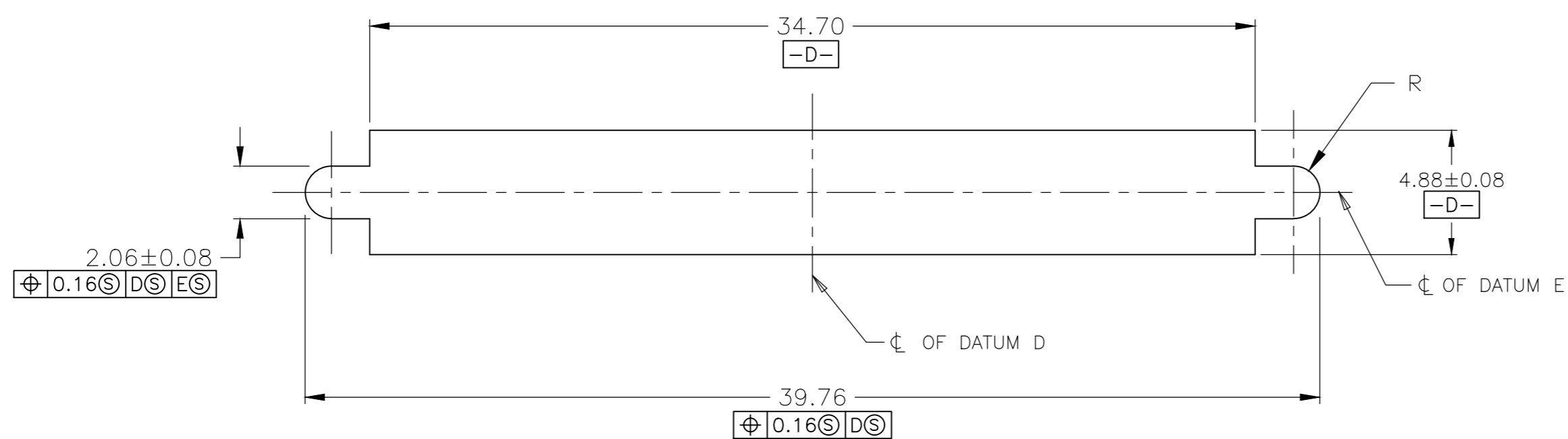
THIS DRAWING IS A CONTROLLED DOCUMENT.		DWN J.GERACE 31JAN05	STE TE Connectivity	
DIMENSIONS: mm		CHK S.SHUEY 31JAN05		
TOLERANCES UNLESS OTHERWISE SPECIFIED:		APVD M.WALMSLEY 31JAN05	NAME	
0 PLC ± -		PRODUCT SPEC	RECEPTACLE ASSEMBLY, RIGHT ANGLE, 68 POS, SHIELDED, CHAMP 0.8mm	
1 PLC ± -		APPLICATION SPEC	108-1471	
2 PLC ± 0.13		SIZE	CAGE CODE	DRAWING NO
3 PLC ± -		114-6057	00779	C=5796055
4 PLC ± -		WEIGHT	RESTRICTED TO	
ANGLES ± -		0	-	
MATERIAL ①	FINISH ②	CUSTOMER DRAWING		
		SCALE	SHEET	REV
		5:1	1 of 2	D1

THIS DRAWING IS UNPUBLISHED. RELEASED FOR PUBLICATION
 © COPYRIGHT - By - ALL RIGHTS RESERVED.

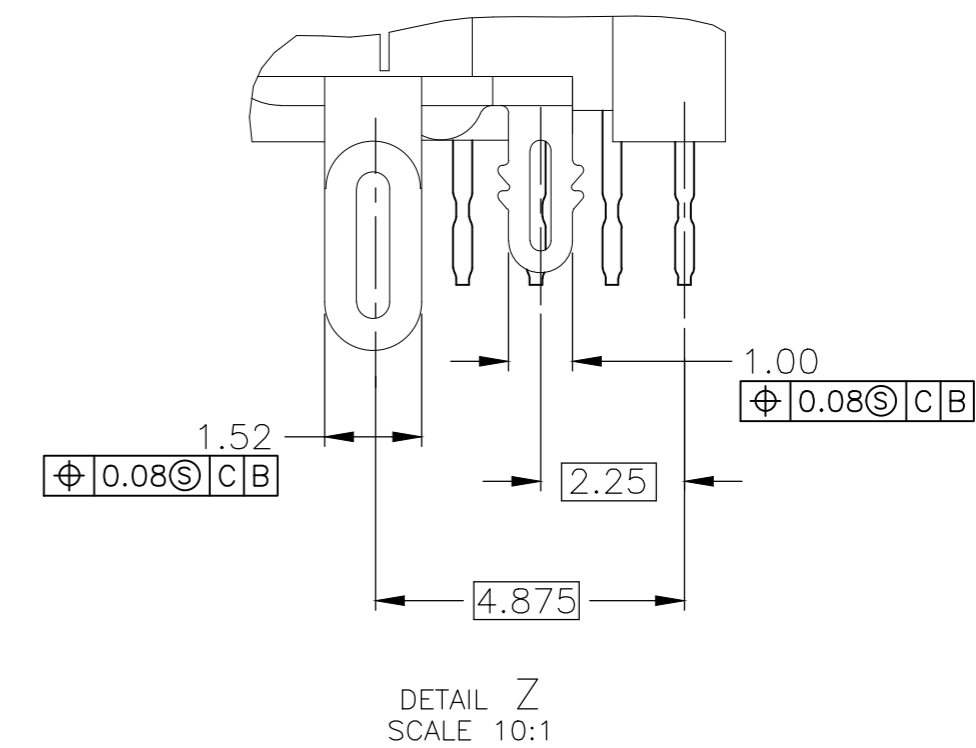
REVISIONS					
P	LTR	DESCRIPTION	DATE	DWN	APVD
-	-	SEE SHEET 1	-	-	-



PC BOARD MOUNTING DIMENSIONS



PANEL CUT-OUT DIMENSIONS



THIS DRAWING IS A CONTROLLED DOCUMENT.		DWN J.GERACE 31JAN05	STE TE Connectivity	
DIMENSIONS: mm		CHK S.SHUEY 31JAN05		
TOLERANCES UNLESS OTHERWISE SPECIFIED:		APVD M.WALMSLEY 31JAN05	NAME	
0 PLC ± -		PRODUCT SPEC	RECEPTACLE ASSEMBLY, RIGHT ANGLE, 68 POS, SHIELDED, CHAMP 0.8mm	
1 PLC ± -		108-1471	SIZE	CAGE CODE
2 PLC ± 0.13		APPLICATION SPEC	A2	00779
3 PLC ± -		114-6057	DRAWING NO	RESTRICTED TO
4 PLC ± -		WEIGHT	C=5796055	-
ANGLES ± -		0	SCALE	SHEET
FINISH		CUSTOMER DRAWING	5:1	2 OF 2
			REV	D1