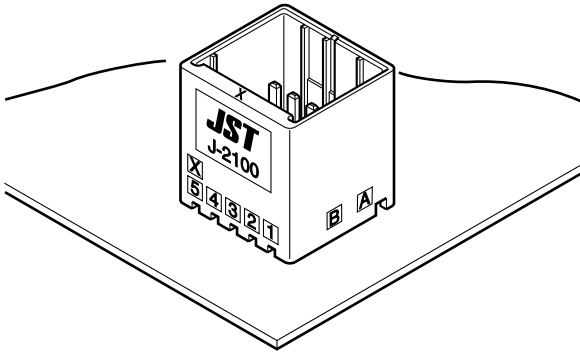
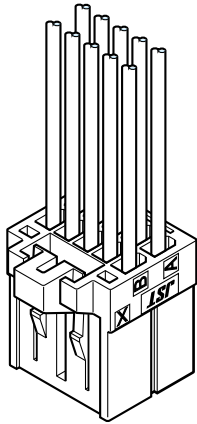


JFA CONNECTOR J2000 SERIES

2.5/3.5 mm pitch/Wire-to-Board connection (Crimp style and Mating style) /
Wire-to-Wire connection



Connectors for miniaturization of electronic equipment.

Center locking and side locking options can be used depending on the required application.

Receptacle and tab contacts are designed to be common with all JFA connector J2000 series.

- Dual-spring construction
- 2 kinds of locking method
- Housing lance
- Clear “click feeling”

Standards

Ⓜ : Recognized E 60389

△ : J50209682

Specifications

- Current rating: AC/DC

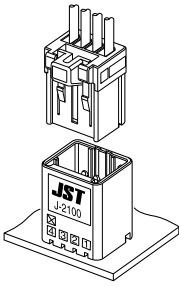
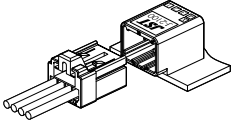
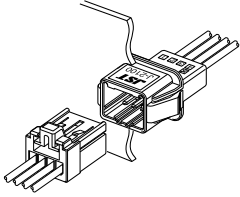
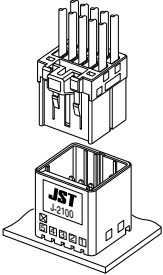
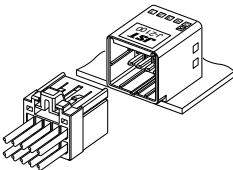
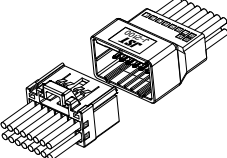
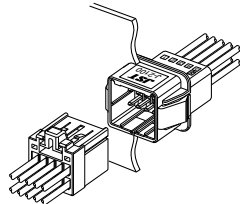
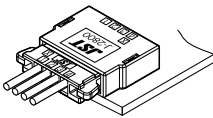
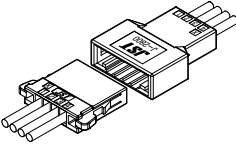
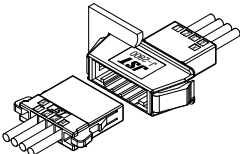
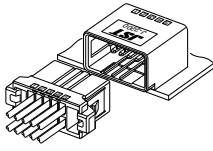
Current unit: A

No. of circuits	Wire size (AWG)				
	#20	#22	#24	#26	#28
3	4.6	4.4	3.4	3.0	2.4
4	4.5	4.3	3.2	2.8	2.3
6	4.3	4.1	2.8	2.6	2.1
8	4.1	3.6	2.6	2.3	1.9
10	3.9	3.4	2.5	2.2	1.8
12	3.6	3.1	2.4	2.0	1.6
16	3.2	2.8	2.2	1.8	1.4
20	2.9	2.5	2.1	1.7	1.3
30	2.8	2.4	2.0	1.6	1.2
40	2.7	2.3	1.9	1.5	1.1

- Voltage rating: 125 V AC/DC... J2300 Series
250 V AC/DC... J2100, J2200, J2400, J2500, J2800 Series
- Temperature range: -55°C to +105°C
(including temperature rise in applying electrical current)
- Applicable wire range: AWG #28 to AWG #20
- Applicable PC board thickness: 1.6 mm
- * Please note that the above general specifications may differ from the safety standards.
- * Refer to each page for the specifications of the Common, Sensor type (J2300) and Common type (J2500).
- * In using the products, refer to "Handling Precautions for Terminals and Connectors" described on our website (Technical documents of Product information page).
- * RoHS2 compliance
- * Dimensional unit: mm
- * Contact JST for details.

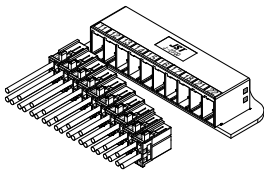
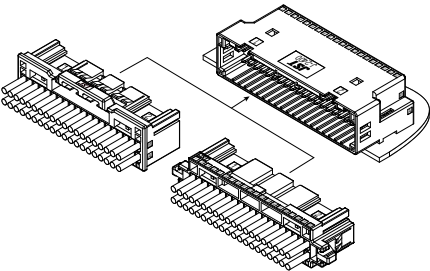
JFA CONNECTOR / J2000 SERIES

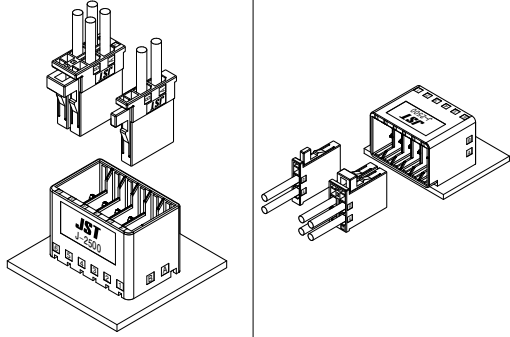
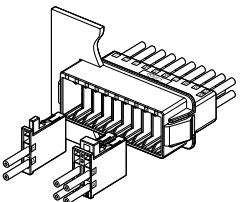
J2000 Series product line-up

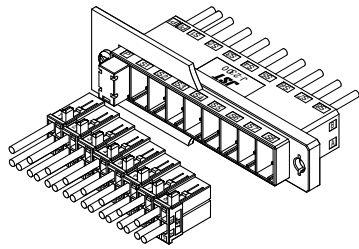
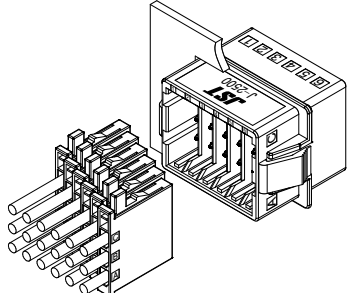
Type		2.5 mm pitch 250 V AC/DC			
		Wire-to-board		Wire-to-wire	
		Top entry type	Side entry type	Free hanging type	Panel mounting type
Center locking type	J2100 Single-row type				
	No. of circuits	3, 4	3, 4		3, 4
	J2100 Dual-row type				
	No. of circuits	6, 8, 10, 12, 16, 20	6, 8, 10, 12, 16, 20	16	6, 8, 10, 12, 16, 20
Side locking type (Thin type)	J2800 Single-row type				
	No. of circuits		4	4	4
Side locking type	J2200 Dual-row type				
	No. of circuits		10		

JFA CONNECTOR / J2000 SERIES

J2000 Series product line-up

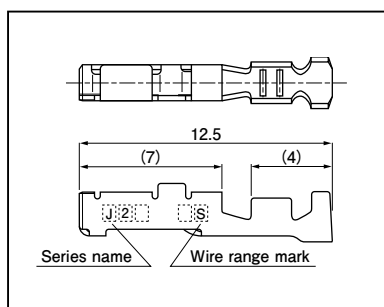
Type		2.5 mm pitch 125 V AC/DC		Type		2.5 mm pitch 250 V AC/DC	
		Wire-to-board				Wire-to-board	
		Side entry type				Side entry type	
Module type	J2300 Dual-row type			Hybrid type	J2400 Dual-row type		
	No. of circuits	30			No. of circuits	40	

Type		3.5 mm pitch 250 V AC/DC			
		Wire-to-board		Wire-to-wire	
		Top entry type	Side entry type	Free hanging type	Panel mounting type
Module type	J2500 Dual-row type				
	No. of circuits	12, 20	12, 20		

Type		2.5 mm pitch 125 V AC/DC		Type		3.5 mm pitch 250 V AC/DC	
		Panel mounting Screw type				Panel mounting type	
Common, Sensor type	J2300 Dual-row type			Common type	J2500 Triple-row type		
	No. of circuits	Power Input: 2 Power Output: 16 (Common output) Sensor Input/Output: 8			No. of circuits	18	

JFA CONNECTOR / J2000 SERIES

Receptacle contact



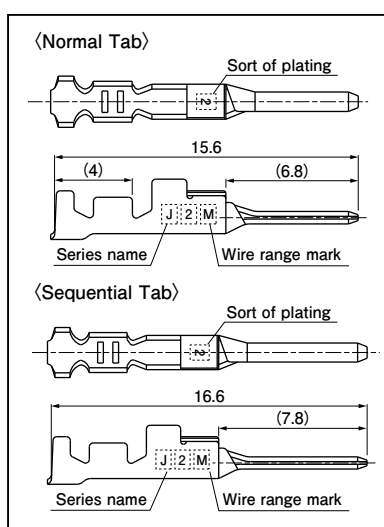
Model No.		Applicable wire		Insulation O.D. (mm)	Q'ty	
Strip contact	Loose piece contact	Nominal	AWG (mm ²)		Reel	Box (Loose piece)
SJ2F-002(*)-P1.0	—	S	#28~#24 (0.08~0.20)	0.88~1.43	6,000	—
SJ2F-01(*)-P1.0	—	M	#24~#20 (0.20~0.50)	1.11~1.53	6,000	—
SJ2F-21(*)-P1.0	BJ2F-21(*)-P1.0	L	#22~#20 (0.30~0.75)	1.30~1.90	5,000	2,000

Material and Surface finish, etc.

Copper alloy (superior conductivity), nickel-undercoated, selective gold-plated

- Note: 1. Surface finish (*): GF...Nickel-undercoated, 0.38 μm selective gold-plated
GI...Nickel-undercoated, 0.76 μm selective gold-plated
2. Please note that the above general specifications may differ from the safety standards.

Tab contact



Model No.		Applicable wire		Insulation O.D. (mm)	Q'ty		
Strip contact	Loose piece contact	Nominal	AWG (mm ²)		Reel	Box (Loose piece)	
Normal	SJ2M-002(*)-M1.0N	—	S	#28~#24 (0.08~0.20)	0.88~1.43	5,500	—
	SJ2M-01(*)-M1.0N	—	M	#24~#20 (0.20~0.50)	1.11~1.53	5,500	—
	SJ2M-21(*)-M1.0N	BJ2M-21(*)-M1.0N	L	#22~#20 (0.30~0.75)	1.30~1.90	5,000	2,000
Sequential	SJ2M-01(*)-M1.0S	—	M	#24~#20 (0.20~0.50)	1.11~1.53	5,500	—
	SJ2M-21(*)-M1.0S	BJ2M-21(*)-M1.0S	L	#22~#20 (0.30~0.75)	1.30~1.90	5,000	2,000

Material and Surface finish, etc.

Copper alloy (superior conductivity), nickel-undercoated, selective gold-plated

- Note: 1. Surface finish (*): GF...Nickel-undercoated, 0.38 μm selective gold-plated
GI...Nickel-undercoated, 0.76 μm selective gold-plated
2. Please note that the above general specifications may differ from the safety standards.

Crimping machine, Applicator

Strip contact Model No.	Crimping machine	Applicator	Crimp applicator with dies	Hand tool
SJ2F-002(*)-P1.0 SJ2M-002(*)-M1.0N	AP-K2N	MKS-L	APLMK SJ2F/M002-10	YRS-8851 YRK-8852
SJ2F-01(*)-P1.0 SJ2M-01(*)-M1.0N SJ2M-01(*)-M1.0S	AP-K2N	MKS-L	APLMK SJ2F/M01-10	YRS-8861 YRK-8863
SJ2F-21(*)-P1.0 SJ2M-21(*)-M1.0N SJ2M-21(*)-M1.0S	AP-K2N	MKS-L	APLMK SJ2F/M21-10	YRK-1120

Note: 1. Contact JST for fully automatic crimping applicator.

Loose piece contact	Hand tool
BJ2F-21(*)-P1.0 BJ2M-21(*)-M1.0N BJ2M-21(*)-M1.0S	YRF-1120

- For details on the YRK series of hand tools that use the strip contacts, refer to the list of "Crimping Machines and Tools" on our website (Technical documents of Product information page).
- Extraction tool for J2000 series: EJ-JFAJ2N

Note: 2. Surface finish (*):
GF...Nickel-undercoated, 0.38 μm selective gold-plated
GI...Nickel-undercoated, 0.76 μm selective gold-plated

Recognition mark

Plating of the contact

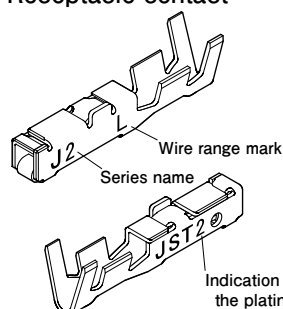
Each contact has a marking on its side or top side so that the type or thickness of the plating is recognized.

- 2 ... gold-plated 0.38 μm thickness
- 3 ... gold-plated 0.76 μm thickness

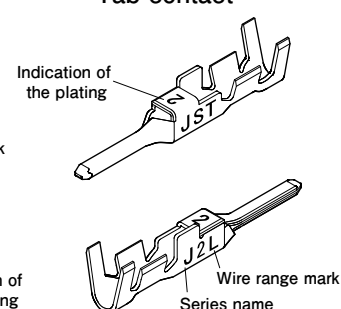
- Common marking on the contact and its application tools
In order to avoid incorrect combination of the hand crimp tools or extraction tools and the contacts, the series name (for example J2) and wire range mark (S, M, L) are shown on both the tools and the contacts.

- J2 S...AWG #28 to AWG #24
- M...AWG #24 to AWG #20
- L...AWG #22 to AWG #20

Receptacle contact

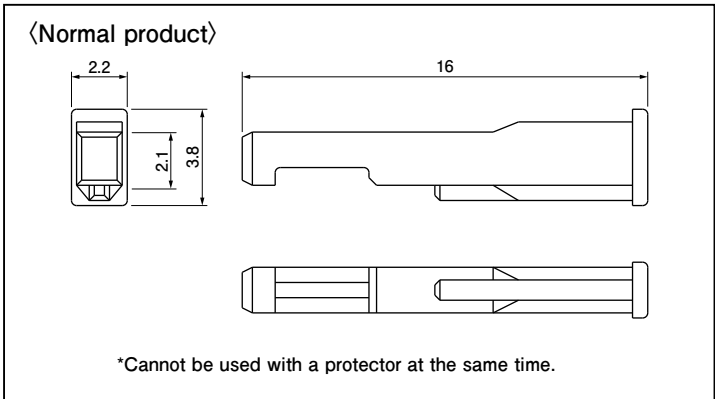


Tab contact

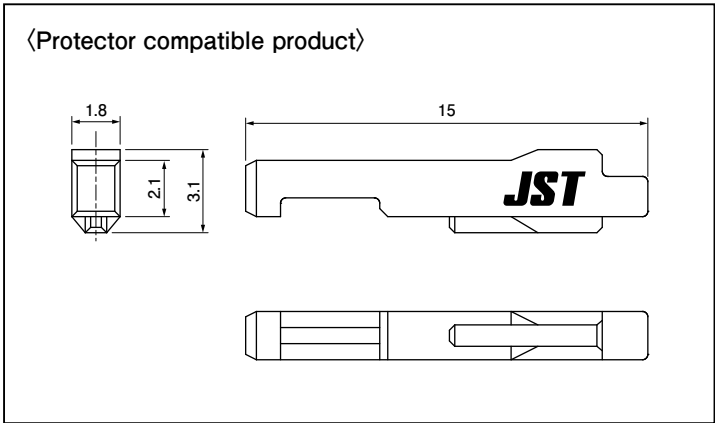


JFA CONNECTOR / J2000 SERIES

Keying plug



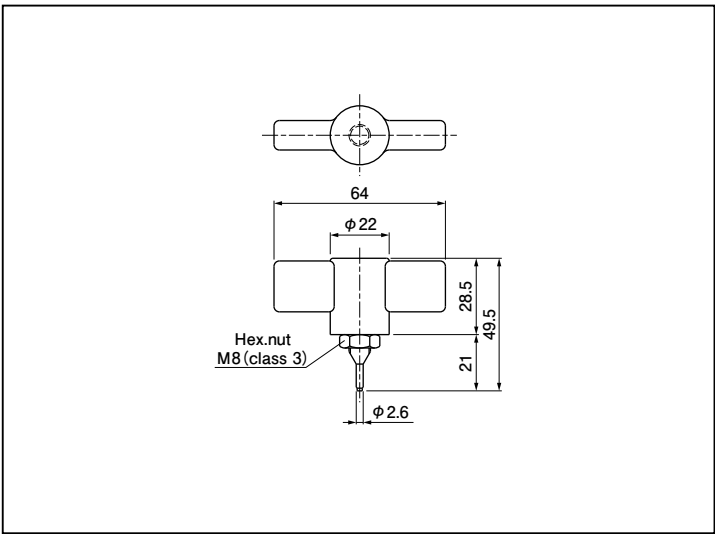
Model No.	Q'ty/box
J2KP-VY	500
Material and Surface finish, etc.	
PBT (Glass-filled), UL94V-0, yellow	



Model No.	Q'ty/box
J2KP-VY-A	500
Material and Surface finish, etc.	
PBT (Glass-filled), UL94V-0, yellow	

Note: Not UL listed.

Tab contact cutting jig



Model No.
CT-JFAJ2

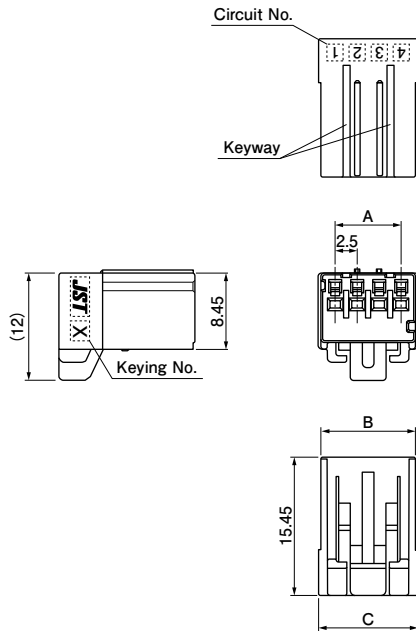
Note: Not UL/TÜV listed.

Assembly layout

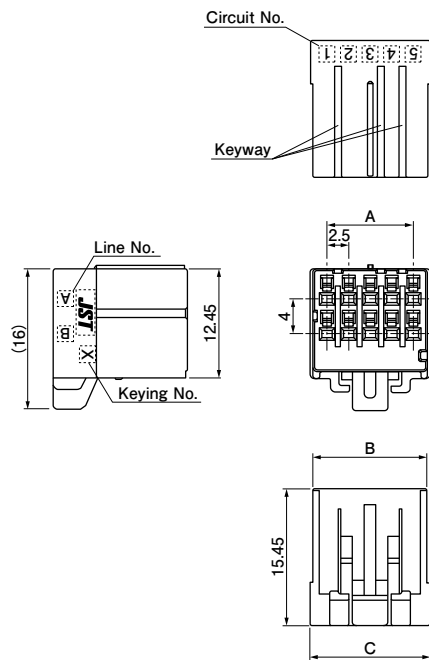
Single-row type	Wire-to-board	<p>〈Top entry type〉</p>	<p>〈Side entry type〉</p>
	Wire-to-wire	<p>〈Panel mounting type〉</p>	
Dual-row type	Wire-to-board	<p>〈Top entry type〉</p>	<p>〈Side entry type〉</p>
	Wire-to-wire	<p>〈Free hanging type〉</p>	<p>〈Panel mounting type〉</p>

Receptacle housing (Long keying type)

<Single-row type>



<Dual-row type>



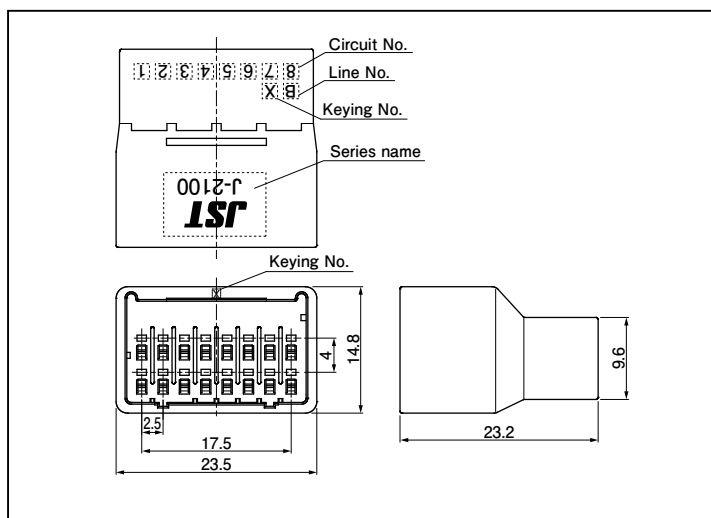
Type	No. of circuits	Keying	Model No.	Dimensions (mm)			Q'ty/bag
				A	B	C	
Single-row type	3	X	J21SF-03V-KX-L	5.0	8.3	8.9	400
		Y	J21SF-03V-KY-L	5.0	8.3	8.9	400
	4	X	J21SF-04V-KX-L	7.5	10.8	11.4	400
		Y	J21SF-04V-KY-L	7.5	10.8	11.4	400
Dual-row type	6	X	J21DF-06V-KX-L	5.0	8.3	8.9	300
		Y	J21DF-06V-KY-L	5.0	8.3	8.9	300
	8	X	J21DF-08V-KX-L	7.5	10.8	11.4	300
		Y	J21DF-08V-KY-L	7.5	10.8	11.4	300
	10	X	J21DF-10V-KX-L	10.0	13.3	13.9	200
		Y	J21DF-10V-KY-L	10.0	13.3	13.9	200
	12	X	J21DF-12V-KX-L	12.5	15.8	16.4	200
		Y	J21DF-12V-KY-L	12.5	15.8	16.4	200
	16	X	J21DF-16V-KX-L	17.5	20.8	21.4	200
		Y	J21DF-16V-KY-L	17.5	20.8	21.4	200
20	X	J21DF-20V-KX-L	22.5	25.8	26.4	100	
	Y	J21DF-20V-KY-L	22.5	25.8	26.4	100	

Material and Surface finish, etc.

PBT (Glass-filled) , UL94V-0, black

J2000 SERIES / J2100

Tab housing (Free hanging type)



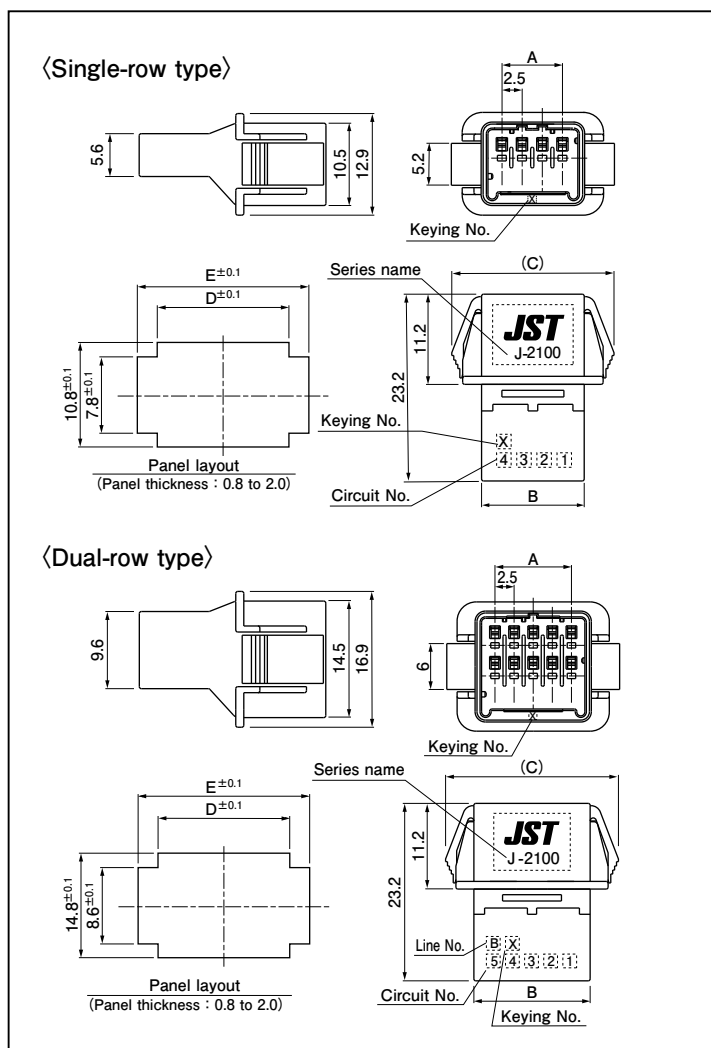
No. of circuits	Keying	Model No.	Q'ty/bag
16	X	J21DFM-16V-KX	-
	Y	J21DFM-16V-KY	-

Material and Surface finish, etc.

PBT (Glass-filled), UL94V-0, black

Note: Not UL listed.

Tab housing (Panel mounting type)



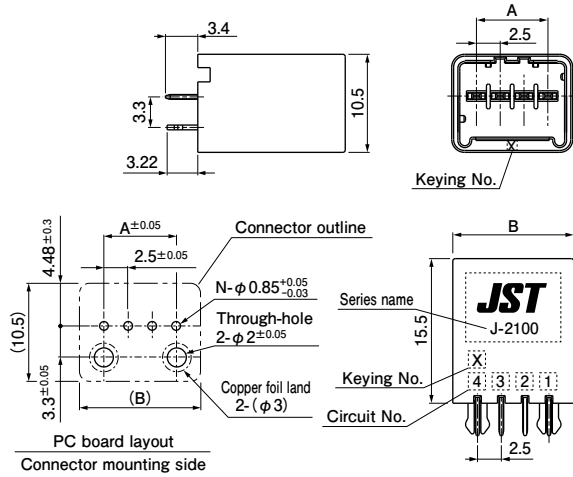
Type	No. of circuits	Keying	Model No.	Dimensions (mm)					Q'ty/bag
				A	B	C	D	E	
Single-row type	3	X	J21SPM-03V-KX	5.0	10.2	17.6	10.5	15.2	400
		Y	J21SPM-03V-KY	5.0	10.2	17.6	10.5	15.2	400
	4	X	J21SPM-04V-KX	7.5	12.7	20.1	13.0	17.7	400
		Y	J21SPM-04V-KY	7.5	12.7	20.1	13.0	17.7	400
Dual-row type	6	X	J21DPM-06V-KX	5.0	10.2	17.6	10.5	15.2	300
		Y	J21DPM-06V-KY	5.0	10.2	17.6	10.5	15.2	300
	8	X	J21DPM-08V-KX	7.5	12.7	20.1	13.0	17.7	200
		Y	J21DPM-08V-KY	7.5	12.7	20.1	13.0	17.7	200
	10	X	J21DPM-10V-KX	10.0	15.2	22.6	15.5	20.2	200
		Y	J21DPM-10V-KY	10.0	15.2	22.6	15.5	20.2	200
	12	X	J21DPM-12V-KX	12.5	17.7	25.1	18.0	22.2	200
		Y	J21DPM-12V-KY	12.5	17.7	25.1	18.0	22.2	200
	16	X	J21DPM-16V-KX	17.5	22.7	30.1	23.0	27.7	200
		Y	J21DPM-16V-KY	17.5	22.7	30.1	23.0	27.7	200
20	X	J21DPM-20V-KX	22.5	27.7	35.1	28.0	32.7	150	
	Y	J21DPM-20V-KY	22.5	27.7	35.1	28.0	32.7	150	

Material and Surface finish, etc.

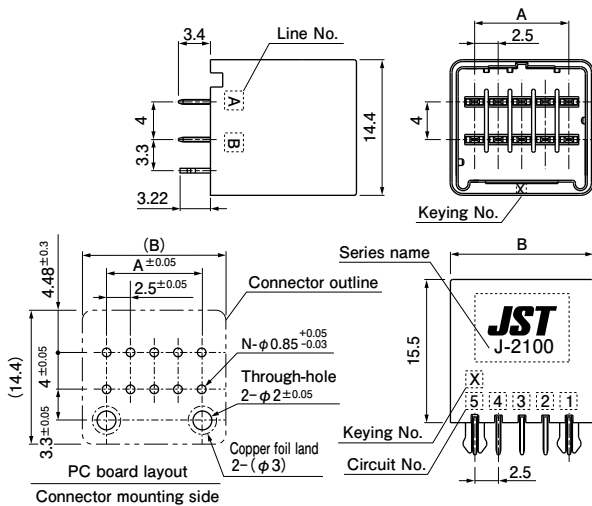
PBT (Glass-filled), UL94V-0, black

Header (Top entry type)

<Single-row type>



<Dual-row type>



Type	No. of circuits	Keying	Model No.	Dimensions (mm)		Q'ty/box
				A	B	
Single-row type	3	X	B03B-J21SK-GGXR	5.0	10.2	378
		Y	B03B-J21SK-GGYR	5.0	10.2	378
	4	X	B04B-J21SK-GGXR	7.5	12.7	306
		Y	B04B-J21SK-GGYR	7.5	12.7	306
Dual-row type	6	X	B06B-J21DK-GGXR	5.0	10.2	252
		Y	B06B-J21DK-GGYR	5.0	10.2	252
	8	X	B08B-J21DK-GGXR	7.5	12.7	204
		Y	B08B-J21DK-GGYR	7.5	12.7	204
	10	X	B10B-J21DK-GGXR	10.0	15.2	168
		Y	B10B-J21DK-GGYR	10.0	15.2	168
	12	X	B12B-J21DK-GGXR	12.5	17.7	144
		Y	B12B-J21DK-GGYR	12.5	17.7	144
	16	X	B16B-J21DK-GGXR	17.5	22.7	108
		Y	B16B-J21DK-GGYR	17.5	22.7	108
20	X	B20B-J21DK-GGXR	22.5	27.7	84	
	Y	B20B-J21DK-GGYR	22.5	27.7	84	

Material and Surface finish, etc.

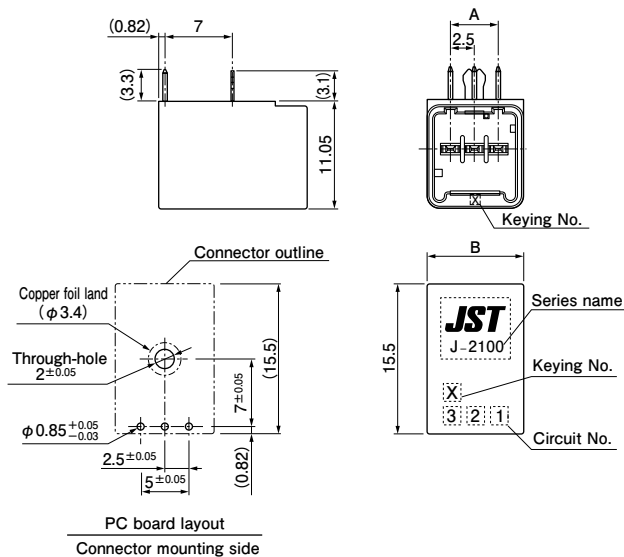
Tab contact : Copper alloy, nickel-undercoated, selective gold-plated
Housing : PBT (Glass-filled), UL94V-0, black
Reinforcement : Copper alloy, nickel-undercoated, selective gold-plated

This product displays (LF)(AU) on a label.
Note: Contact JST for 0.76 μm gold-plated products.

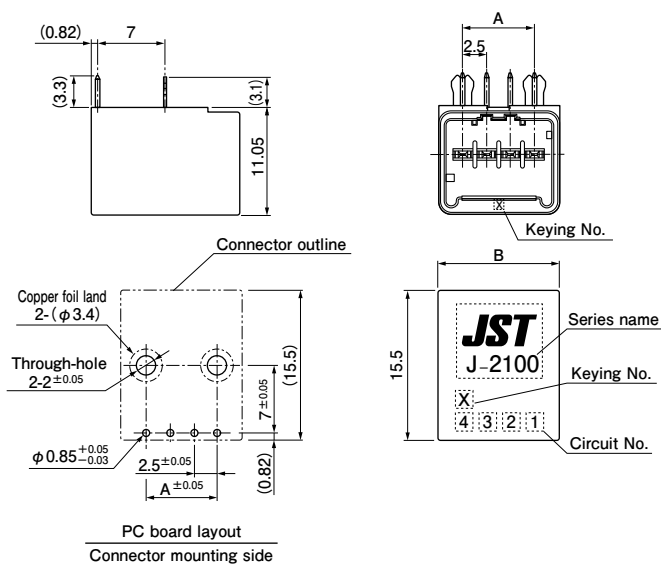
Header (Side entry type)

<Single-row type>

- 3 circuits



- 4 circuits



No. of circuits	Keying	Model No.	Dimensions (mm)		Q'ty/box
			A	B	
3	X	S03B-J21SK-GGXR	5.0	10.2	294
	Y	S03B-J21SK-GGYR	5.0	10.2	294
4	X	S04B-J21SK-GGXR	7.5	12.7	238
	Y	S04B-J21SK-GGYR	7.5	12.7	238

Material and Surface finish, etc.

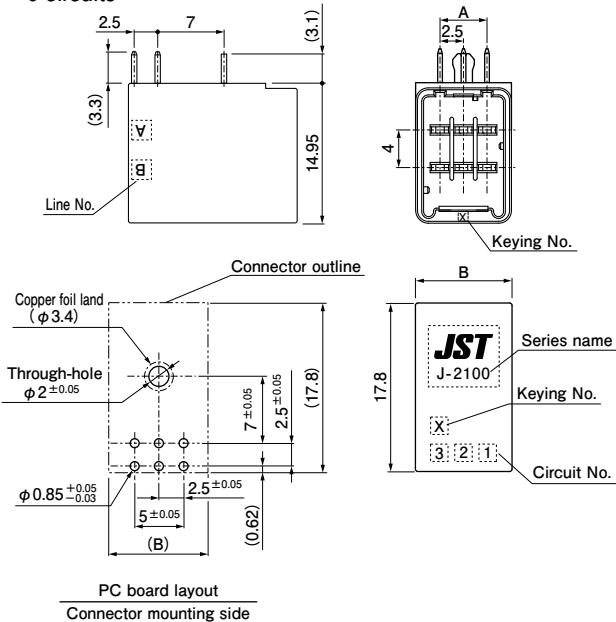
Tab contact : Copper alloy, nickel-undercoated , selective gold-plated
Housing : PBT (Glass-filled), UL94V-0, black
Reinforcement : Copper alloy, nickel-undercoated, selective gold-plated

This product displays (LF)(AU) on a label.
Note: Contact JST for 0.76 μm gold-plated products.

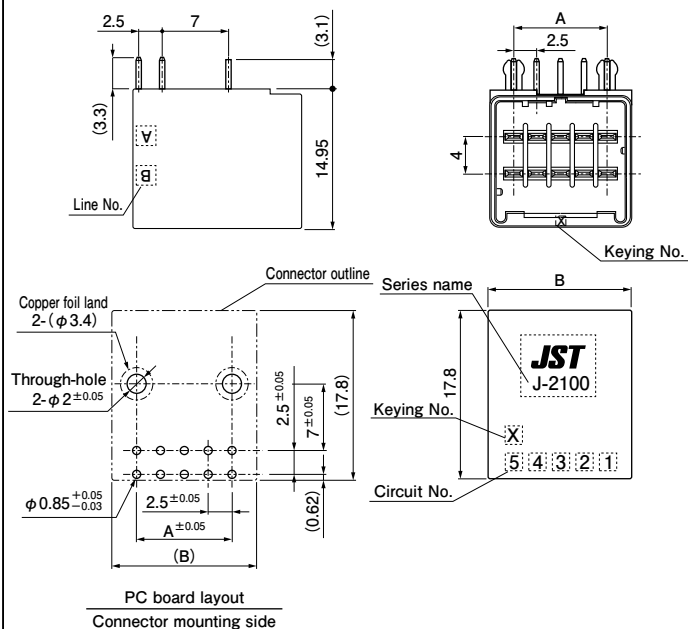
Header (Side entry type)

<Dual-row type>

• 6 circuits



• 8, 10, 12, 16, 20 circuits



No. of circuits	Keying	Model No.	Dimensions (mm)		Q'ty/box
			A	B	
6	X	S06B-J21DK-GGXR	5.0	10.2	252
	Y	S06B-J21DK-GGYR	5.0	10.2	252
8	X	S08B-J21DK-GGXR	7.5	12.7	204
	Y	S08B-J21DK-GGYR	7.5	12.7	204
10	X	S10B-J21DK-GGXR	10.0	15.2	168
	Y	S10B-J21DK-GGYR	10.0	15.2	168
12	X	S12B-J21DK-GGXR	12.5	17.7	144
	Y	S12B-J21DK-GGYR	12.5	17.7	144
16	X	S16B-J21DK-GGXR	17.5	22.7	108
	Y	S16B-J21DK-GGYR	17.5	22.7	108
20	X	S20B-J21DK-GGXR	22.5	27.7	84
	Y	S20B-J21DK-GGYR	22.5	27.7	84

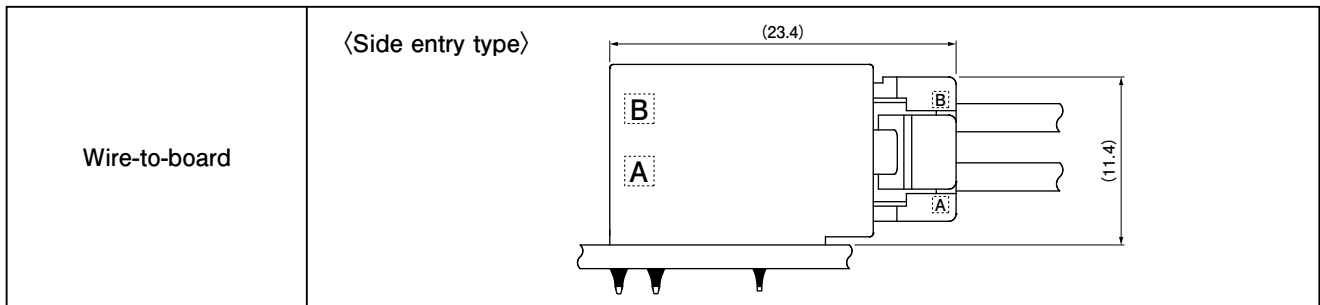
Material and Surface finish, etc.

Tab contact : Copper alloy, nickel-undercoated, selective gold-plated
Housing : PBT (Glass-filled), UL94V-0, black
Reinforcement : Copper alloy, nickel-undercoated, selective gold-plated

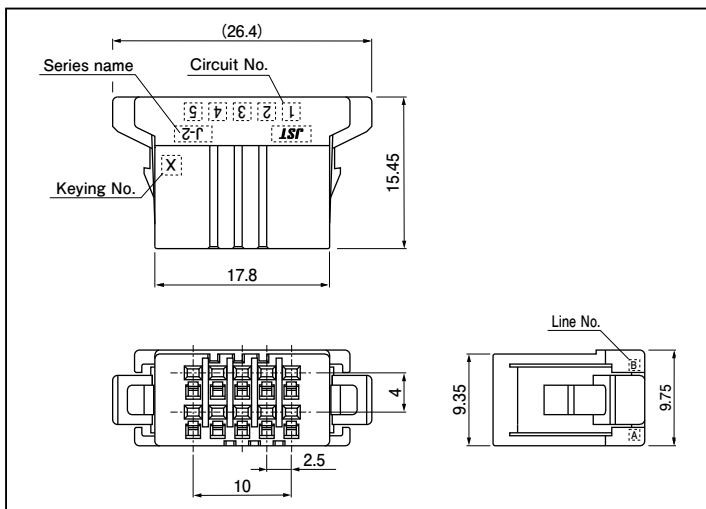
This product displays (LF)(AU) on a label.
Note: Contact JST for 0.76 μ m gold-plated products.

J2000 SERIES / J2200

Assembly layout



Receptacle housing

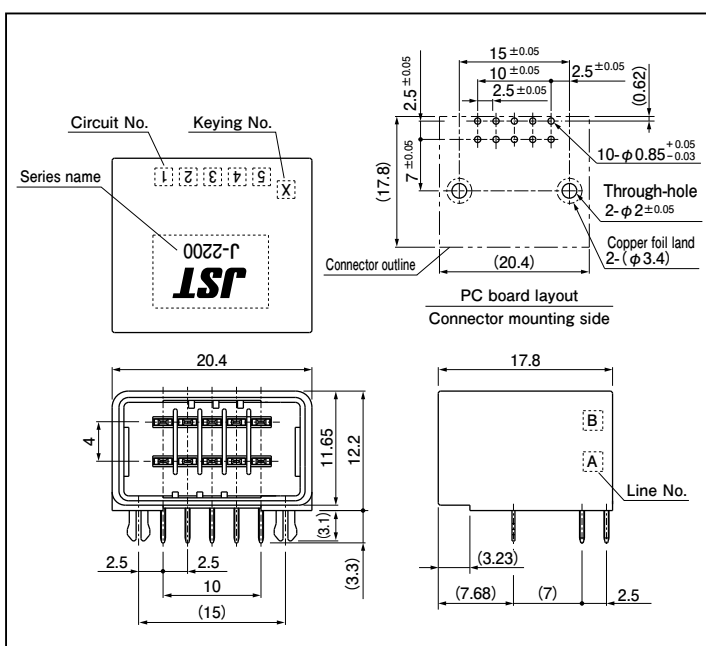


No. of circuits	Keying	Model No.	Q'ty/bag
10	X	J22DF-10V-KX	250
	Y	J22DF-10V-KY	250

Material and Surface finish, etc.

PBT (Glass-filled), UL94V-0, black

Header (Side entry type)



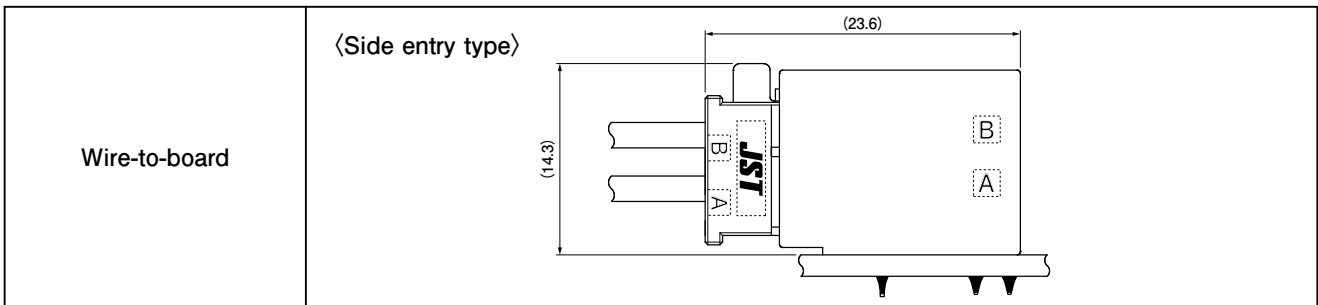
No. of circuits	Keying	Model No.	Q'ty/box
10	X	S10B-J22DK-GGXR	120
	Y	S10B-J22DK-GGYR	120

Material and Surface finish, etc.

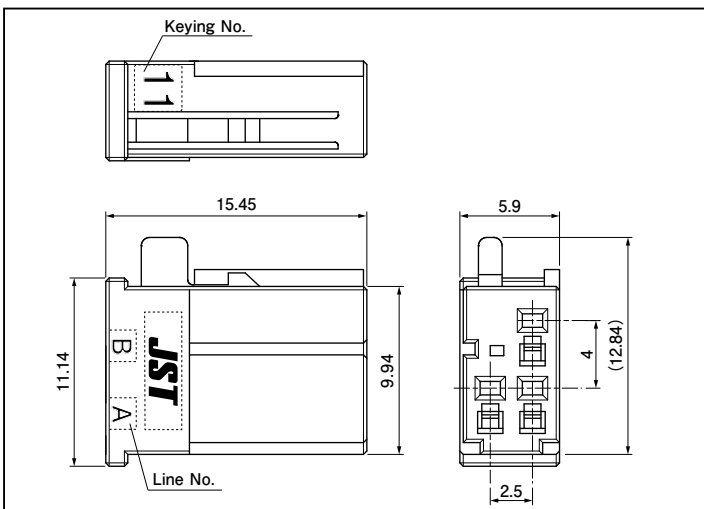
Tab contact : Copper alloy, nickel-undercoated, selective gold-plated
Housing : PBT (Glass-filled), UL94V-0, black
Reinforcement : Copper alloy, nickel-undercoated, selective gold-plated

This product displays (LF)(AU) on a label.
Note: Contact JST for 0.76 μm gold-plated products.

Assembly layout



Receptacle housing



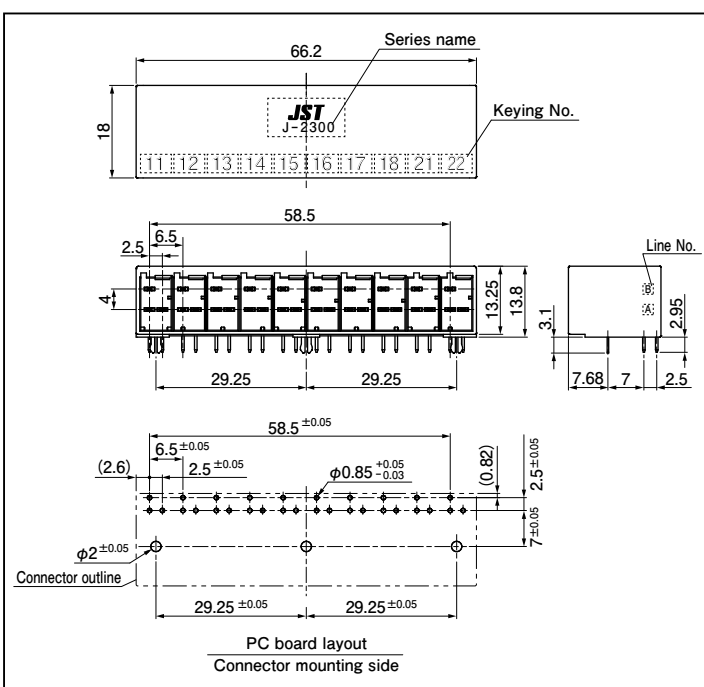
No. of circuits	Keying	Model No.	Q'ty/box
3	S11	J23DF-03V-KS11	784
	S12	J23DF-03V-KS12	
	S13	J23DF-03V-KS13	
	S14	J23DF-03V-KS14	
	S15	J23DF-03V-KS15	
	S16	J23DF-03V-KS16	
	S17	J23DF-03V-KS17	
	S18	J23DF-03V-KS18	
	S21	J23DF-03V-KS21	
	S22	J23DF-03V-KS22	

Material and Surface finish, etc.

PBT (Glass-filled), UL94V-0, black

Note: Not UL listed.

Header (Side entry type)



No. of circuits	Keying	Model No.	Q'ty/box
30	S11 to S22	S30B-J23DK-GGNR	-

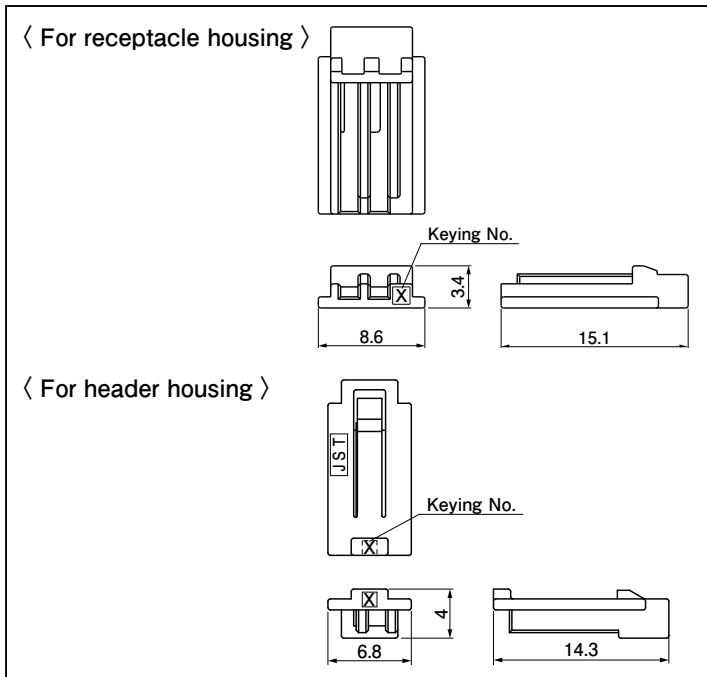
Material and Surface finish, etc.

Tab contact : Copper alloy, nickel-undercoated, selective gold-plated
Housing : PBT (Glass-filled), UL94V-0, black
Reinforcement : Copper alloy, nickel-undercoated, selective gold-plated

This product displays (LF)(AU) on a label.
Note: 1. Contact JST for 0.76 μ m gold-plated products.
2. Not UL listed.

J2000 SERIES/ KEYING BLOCK

Keying block



	Keying	Model No.	Q'ty/bag
For receptacle housing	X	J2KF-VR-X	500
	Y	J2KF-VY-Y	500
	Z	J2KF-VE-Z	500
For header housing	X	J2KM-VR-X	500
	Y	J2KM-VY-Y	500
	Z	J2KM-VE-Z	500

Material and Surface finish, etc.

PBT (Glass-filled), UL94V-0,
X-Keying (red), Y-Keying (yellow), Z-Keying (blue)

Note: Not UL/TÜV listed.

Features

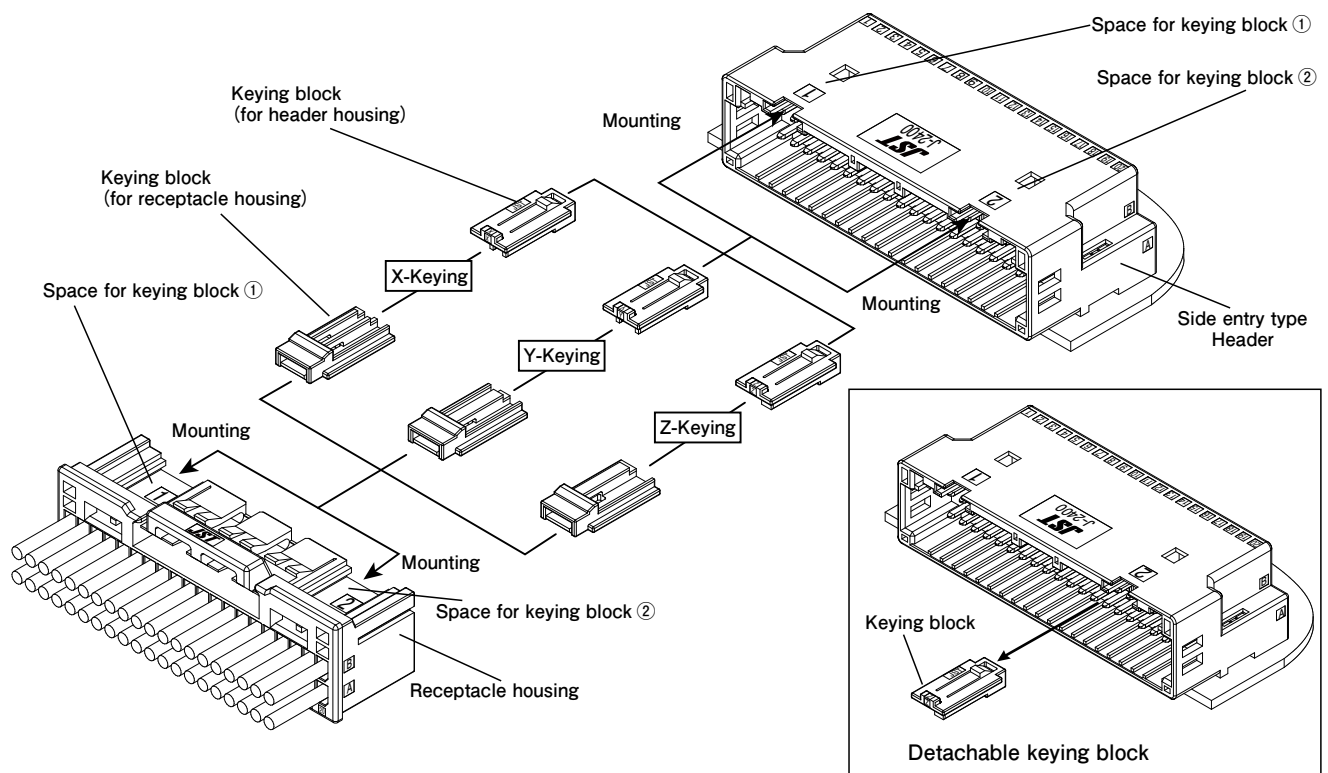
Mis-mating prevention keying block can be freely mounted to keying block space.

- 9 types of keying can be provided by mounting 3 types of keying block to 2 keying block spaces.
- Since a color varies on each type of keying, the kind of keying is easy to recognize.

Variation of keying

	X-Keying (red)	Y-Keying (yellow)	Z-Keying (blue)
For header housing			
For receptacle housing			

How to use keying block (When using J2400)

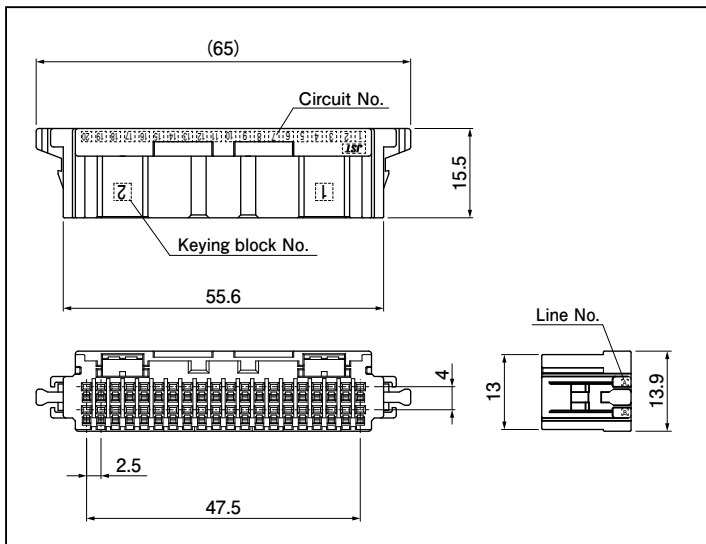


J200 SERIES/ J2400 (FOR KEYING BLOCK)

Assembly layout

	When mating with a receptacle housing side locking type	When mating with a receptacle housing center locking type
Wire-to-board		

Receptacle housing (Side locking type)



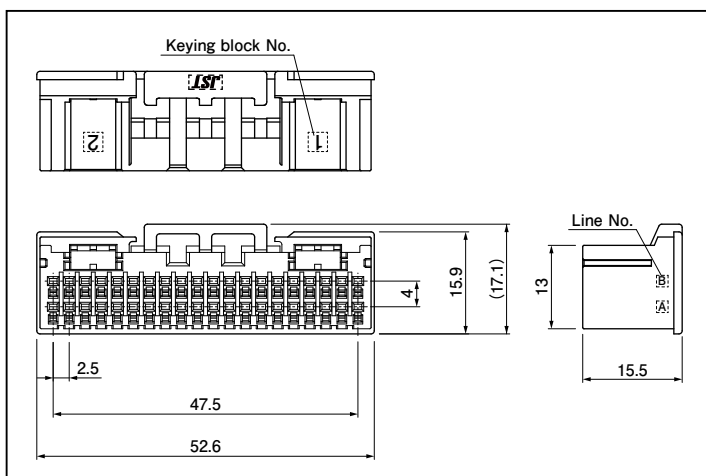
No. of circuits	Keying	Model No.	Q'ty/bag
40	-	J24DFS-40V-KE	100

Material and Surface finish, etc.

PBT (Glass-filled), UL94V-0, black

Note: Not UL/TÜV listed.

Receptacle housing (Center locking type)



No. of circuits	Keying	Model No.	Q'ty/bag
40	-	J24DFC-40V-KE	100

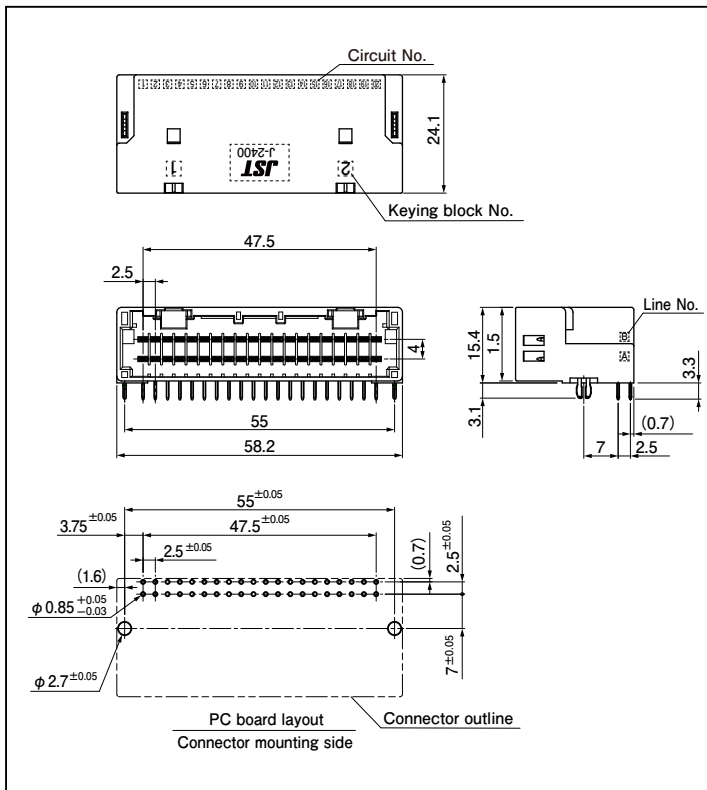
Material and Surface finish, etc.

PBT (Glass-filled), UL94V-0, black

Note: Not UL/TÜV listed.

J200 SERIES/ J2400 (FOR KEYING BLOCK)

Header Side entry type



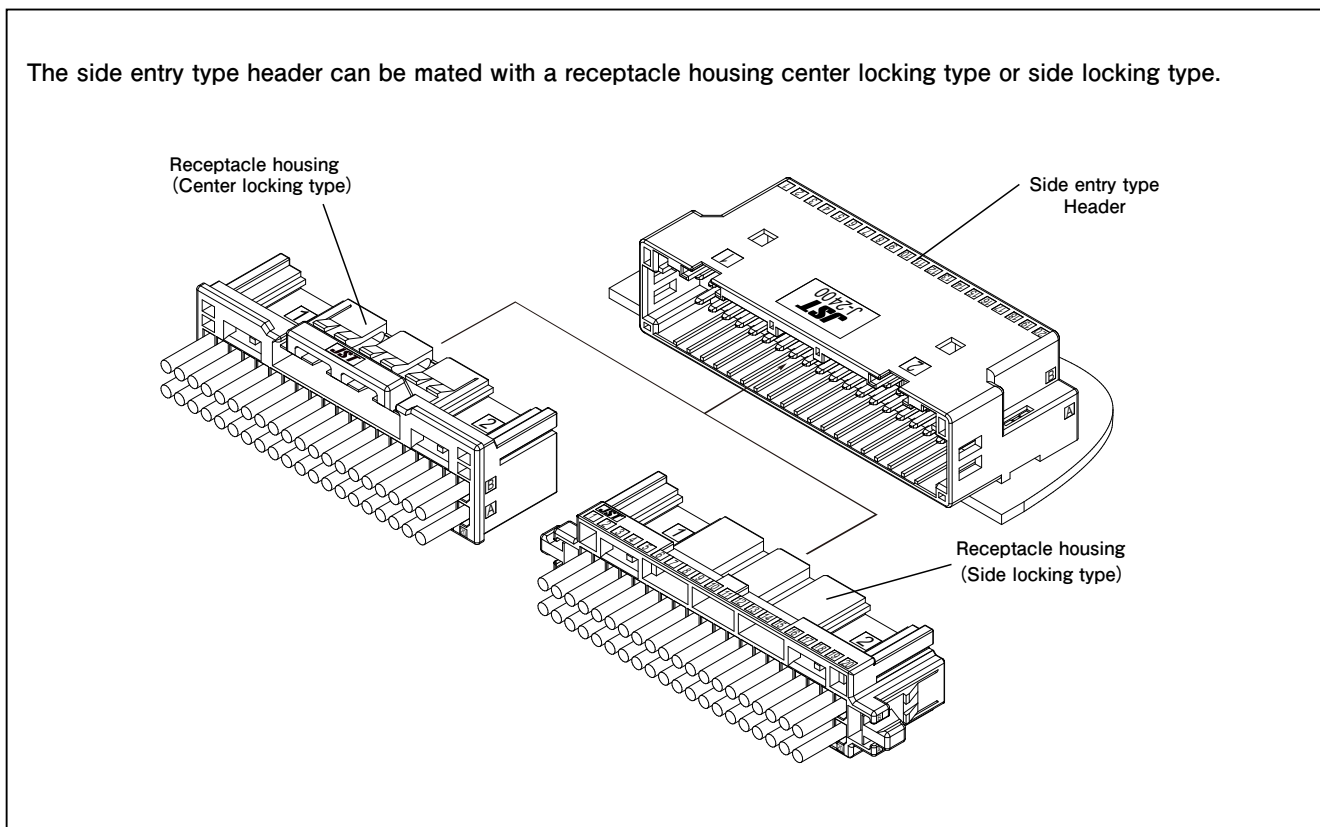
No. of circuits	Keying	Model No.	Q'ty/box
40	—	S40B-J24DK-GGER	135

Material and Surface finish, etc.

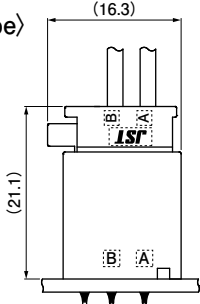
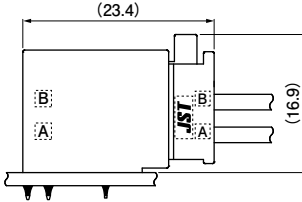
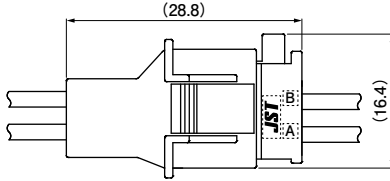
Tab contact : Copper alloy, nickel-undercoated, selective gold-plated
 Housing : PBT (Glass-filled), UL94V-0, black
 Reinforcement : Copper alloy, nickel-undercoated, selective gold-plated

This product displays (LF)(AU) on a label.
 Note: 1. Contact JST for 0.76 μm gold-plated products.
 2. Not UL/TÜV listed.

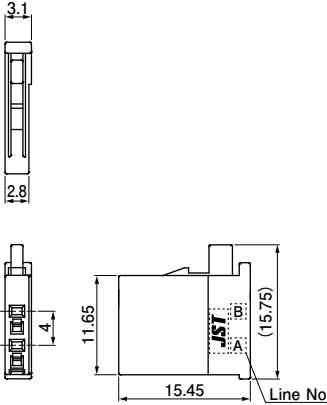
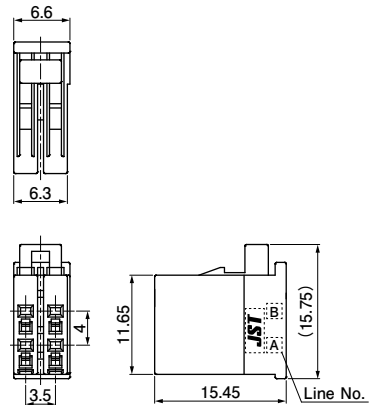
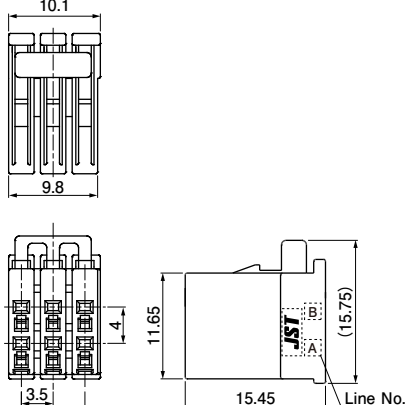
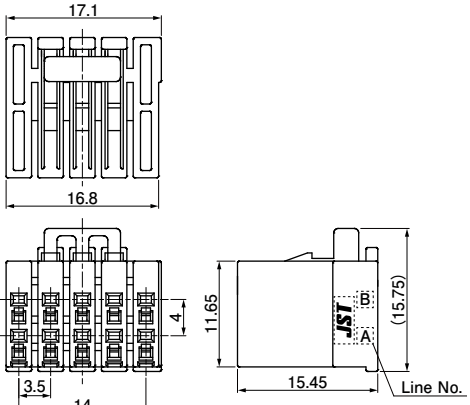
Mating combinations



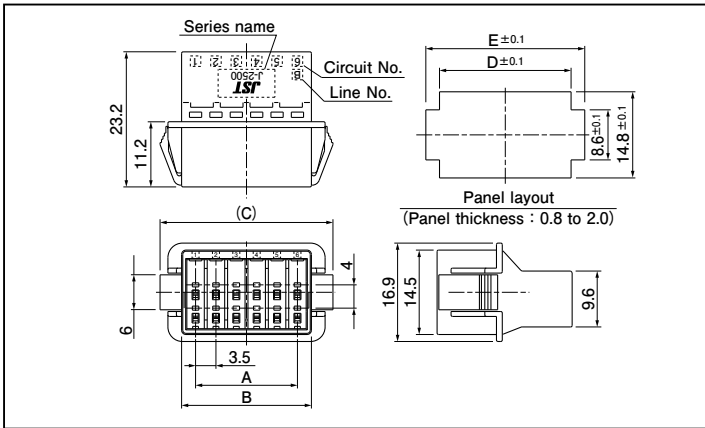
Assembly layout

<p>Wire-to-board</p>	<p>〈Top entry type〉</p> 	<p>〈Side entry type〉</p> 
<p>Wire-to-wire</p>	<p>〈Panel mounting type〉</p> 	

Receptacle housing

<p>• 2 circuits</p> 	<p>• 4 circuits</p> 	<p>• 6 circuits</p> 																					
<p>• 10 circuits</p> 																							
<table border="1"> <thead> <tr> <th>No. of circuits</th> <th>Keying</th> <th>Model No.</th> <th>Q'ty/bag</th> </tr> </thead> <tbody> <tr> <td>2</td> <td>—</td> <td>J25MF-02V-K</td> <td>800</td> </tr> <tr> <td>4</td> <td>—</td> <td>J25MF-04V-K</td> <td>400</td> </tr> <tr> <td>6</td> <td>—</td> <td>J25MF-06V-K</td> <td>300</td> </tr> <tr> <td>10</td> <td>—</td> <td>J25MF-10V-K</td> <td>200</td> </tr> </tbody> </table>				No. of circuits	Keying	Model No.	Q'ty/bag	2	—	J25MF-02V-K	800	4	—	J25MF-04V-K	400	6	—	J25MF-06V-K	300	10	—	J25MF-10V-K	200
No. of circuits	Keying	Model No.	Q'ty/bag																				
2	—	J25MF-02V-K	800																				
4	—	J25MF-04V-K	400																				
6	—	J25MF-06V-K	300																				
10	—	J25MF-10V-K	200																				
<p>Material and Surface finish, etc.</p> <p>PBT (Glass-filled) , UL94V-0, black</p>																							

Tab housing (Panel mounting type)

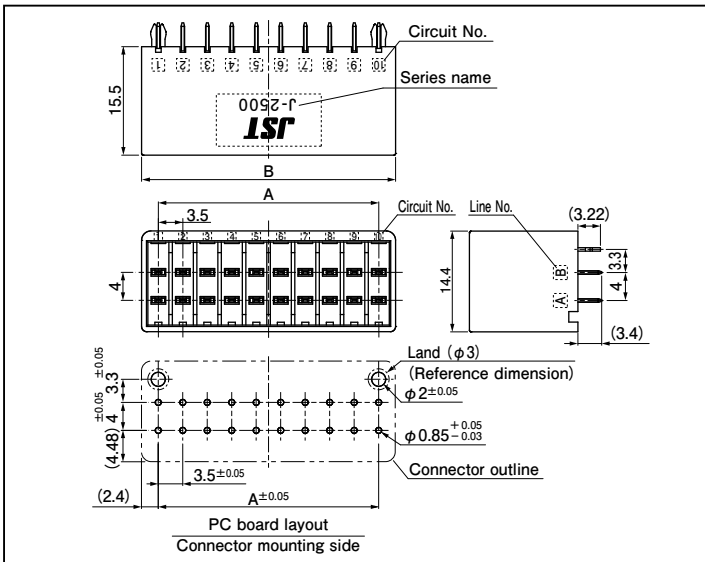


No. of circuits	Keying	Model No.	Dimensions (mm)					Q'ty
			A	B	C	D	E	
12	—	J25DPM-12V-K	17.5	22.3	29.7	22.6	27.3	200/bag
20	—	J25DPM-20V-K	31.5	36.3	43.7	36.6	41.3	132/box

Material and Surface finish, etc.

PBT (Glass-filled), UL94V-0, black

Header (Top entry type)



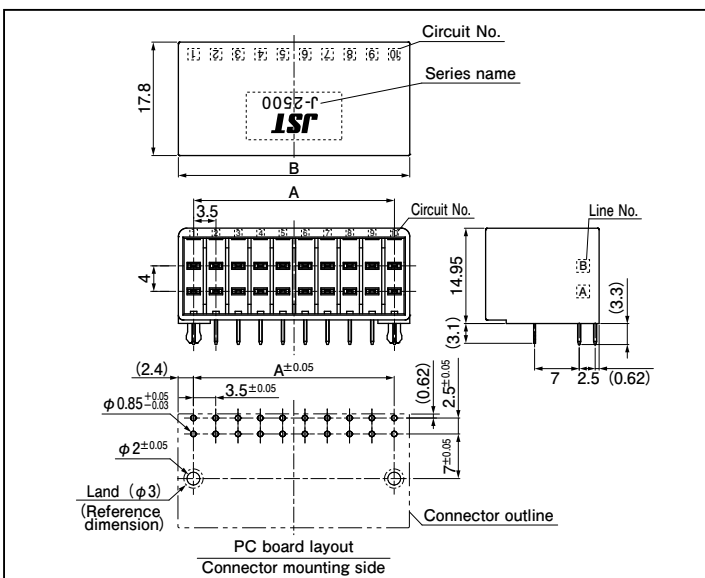
No. of circuits	Keying	Model No.	Dimensions (mm)		Q'ty/box
			A	B	
12	—	B12B-J25DK-GGR	17.5	22.3	108
20	—	B20B-J25DK-GGR	31.5	36.3	72

Material and Surface finish, etc.

Tab contact : Copper alloy, nickel-undercoated, selective gold-plated
Housing : PBT (Glass-filled), UL94V-0, black
Reinforcement : Copper alloy, nickel-undercoated, selective gold-plated

This product displays (LF)(AU) on a label.
Note: Contact JST for 0.76 μm gold-plated products.

Header (Side entry type)



No. of circuits	Keying	Model No.	Dimensions (mm)		Q'ty/box
			A	B	
12	—	S12B-J25DK-GGR	17.5	22.3	108
20	—	S20B-J25DK-GGR	31.5	36.3	72

Material and Surface finish, etc.

Tab contact : Copper alloy, nickel-undercoated, selective gold-plated
Housing : PBT (Glass-filled), UL94V-0, black
Reinforcement : Copper alloy, nickel-undercoated, selective gold-plated

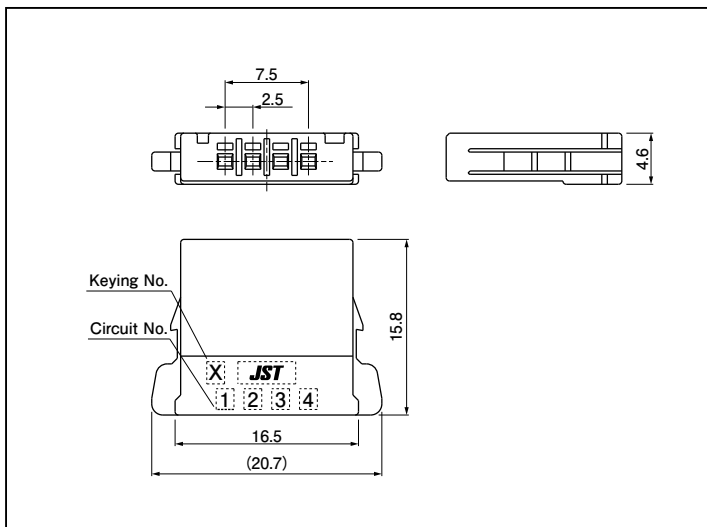
This product displays (LF)(AU) on a label.
Note: Contact JST for 0.76 μm gold-plated products.

J2000 SERIES / J2800

Assembly layout

Wire-to-board	<p>〈Side entry type〉</p>
Wire-to-wire	<p>〈Free hanging type/Panel mounting type〉</p>

Receptacle housing



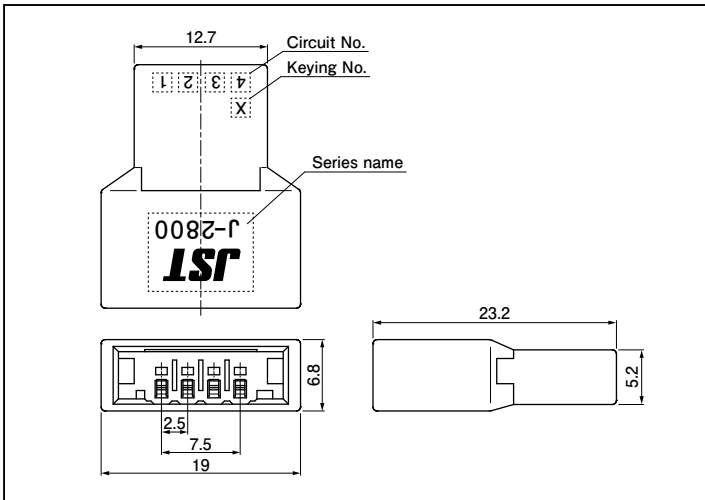
No. of circuits	Keying	Model No.	Q'ty/box
4	X	J28SF-04V-KX	1000

Material and Surface finish, etc.

PBT (Glass-filled), UL94V-0, black

J2000 SERIES/ J2800

Tab housing (Free hanging type)

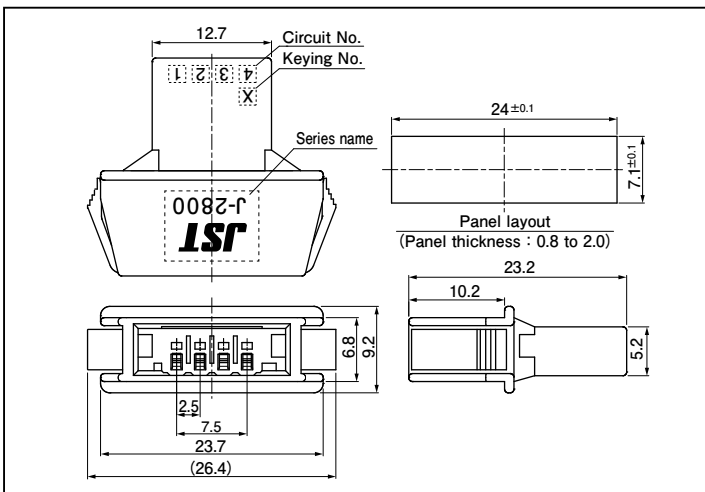


No. of circuits	Keying	Model No.	Q'ty/bag
4	X	J28SFM-04V-KX	500

Material and Surface finish, etc.

PBT (Glass-filled), UL94V-0, black

Tab housing (Panel mounting type)



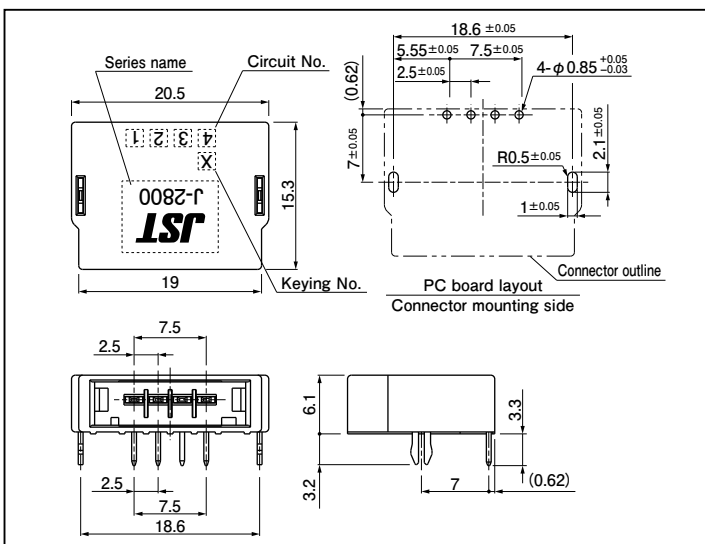
No. of circuits	Keying	Model No.	Q'ty/box
4	X	J28SPM-04V-KX	180

Material and Surface finish, etc.

PBT (Glass-filled), UL94V-0, black

Note: Not UL listed.

Header (Side entry type)



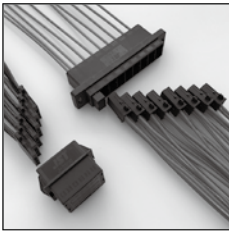
No. of circuits	Keying	Model No.	Q'ty/box
4	X	S04B-J28SK-GGXQ1R	280

Material and Surface finish, etc.

Tab contact : Copper alloy, nickel-undercoated, selective gold-plated
Housing : PBT (Glass-filled), UL94V-0, black
Reinforcement : Copper alloy, tin-plated

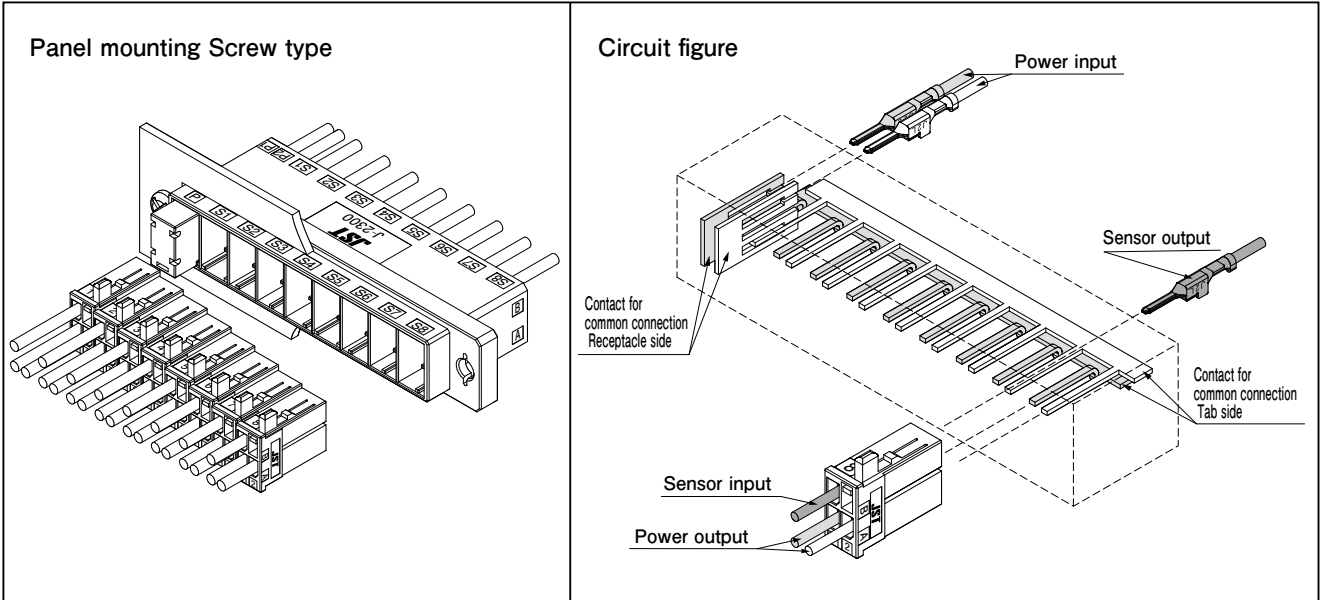
This product displays (LF) on a label.

Note: 1. 3rd and 4th pins are sequential pins.
2. Contact JST for 0.76 μm gold-plated products.



J2000 SERIES/COMMON, SENSOR TYPE/ J2300

Common, Sensor type (J2300)



- Rationalization of wiring is realized by the common connection inside the connector.

■ Specification

- Current rating: AC/DC
(Total input current per contact for common connection tab side)

Current unit : A

Wire size (AWG)				
#20	#22	#24	#26	#28
6.5	5.5	4.0	3.0	2.0

- Voltage rating: 125 V AC/DC
- Temperature range: -55°C to +105°C
(including temperature rise in applying electrical current)
- Applicable wire range: AWG #28 to AWG #20

*Please note that the above general specifications may differ from the safety standards.

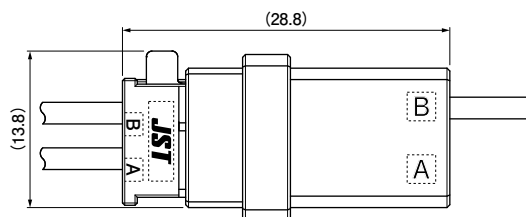
*In using the products, refer to "Handling Precautions for Terminals and Connectors" described on our website (Technical documents of Product information page).

- * RoHS2 compliance
- * Dimensional unit: mm
- * Contact JST for details.

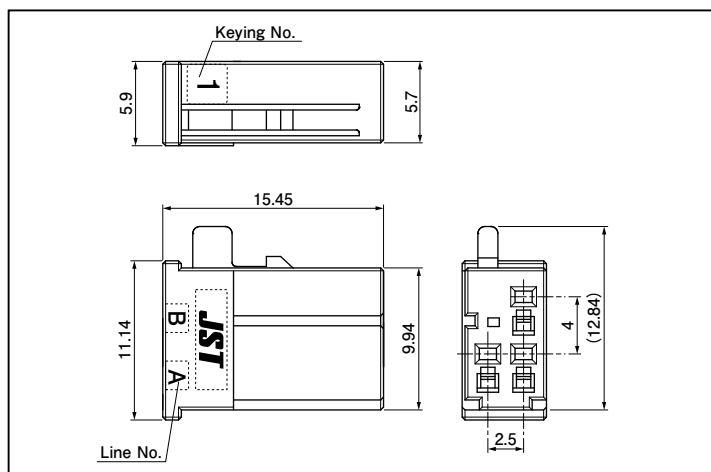
J2000 SERIES/COMMON, SENSOR TYPE/ J2300

Assembly layout

< Panel mounting Screw type >



Receptacle housing

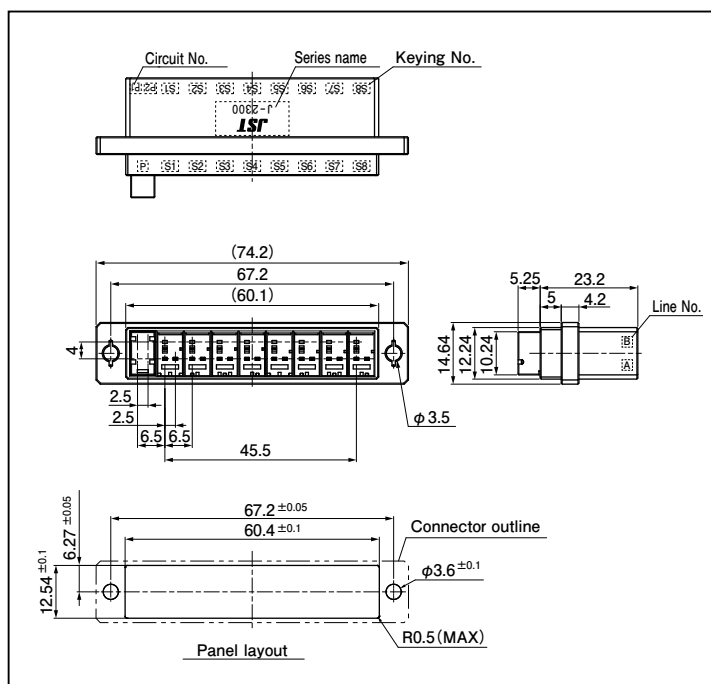


No. of circuits	Keying	Model No.	Q'ty/box
3	S1	J23CF-03V-KS1	784
	S2	J23CF-03V-KS2	
	S3	J23CF-03V-KS3	
	S4	J23CF-03V-KS4	
	S5	J23CF-03V-KS5	
	S6	J23CF-03V-KS6	
	S7	J23CF-03V-KS7	
	S8	J23CF-03V-KS8	

Material and Surface finish, etc.

PBT (Glass-filled), UL94V-0, black

Tab housing Assembly



Circuit	No. of circuits	Keying	Model No.	Q'ty/box
Power input	2	S1 to S8	P28B-J23DK-GG NR	64
Power output	16 (Common output)			
Sensor I/O	8			

Material and Surface finish, etc.

Tab contact : Copper alloy, nickel-undercoated, selective gold-plated
Housing : PBT (Glass-filled), UL94V-0, black

Note: 1. Contact JST for 0.76 μ m gold-plated products.

2. Refer to the top page of Common type (J2300) for circuit figure.

J2000 SERIES/COMMON TYPE/ J2500

Dual-row Common type (J2500)

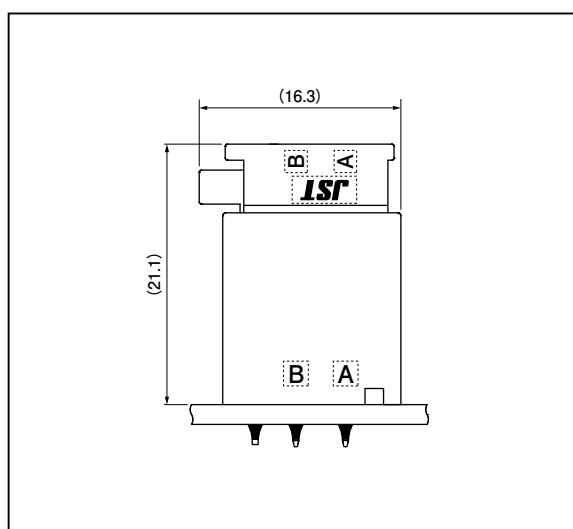
Current unit : A

Receptacle side	Tab side	Appearance	Circuit figure	Current rating : AC/DC						
				Wire size (AWG)						
				No. of circuits	Note	# 20	# 22	# 24	# 26	# 28
Receptacle housing assembly with common connection	Header			12	3.6	3.6	3.1	2.4	2.0	1.6
				20	2.9	2.9	2.5	2.1	1.7	1.3
	Tab housing			12	3.6	3.6	3.1	2.4	2.0	1.6
				20	2.9	2.9	2.5	2.1	1.7	1.3

Note: Use only receptacle housing with common connection.

- Rationalization of wiring is realized by the common connection inside the connector.

Assembly layout



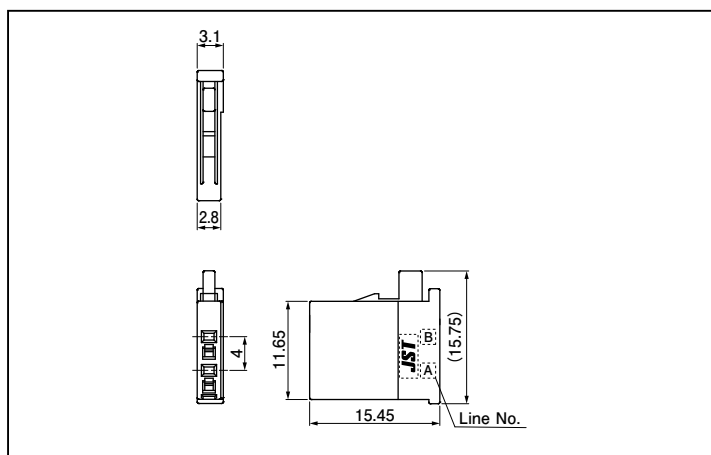
*When mating with top entry type header

Specifications

- Current rating : Refer to the above table.
- Voltage rating : 250 V AC/DC
- Temperature range: -55°C to +105°C
(including temperature rise in applying electrical current)
- Applicable wire range : AWG #28 to AWG #20
- * Please note that the above general specifications may differ from the safety standards.
- * In using the products, refer to "Handling Precautions for Terminals and Connectors" described on our website (Technical documents of Product information page).
- * RoHS2 compliance
- * Dimensional unit: mm
- * Contact JST for details.

J2000 SERIES/COMMON TYPE/ J2500

Receptacle housing assembly with common connection



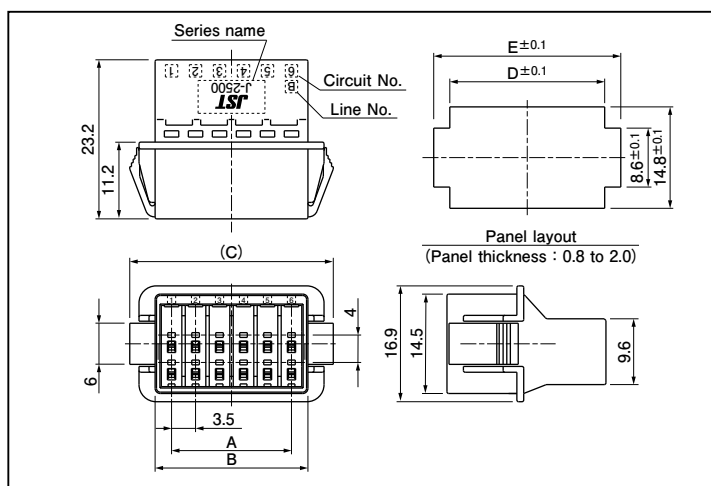
No. of circuits	Keying	Model No.	Q'ty/box
—	—	J25MF-00(2-A1D)V-EC	1,800

Material and Surface finish, etc.

Contact : Copper alloy, nickel-undercoated, selective gold-plated
Housing : PBT (Glass-filled), UL94V-0, blue

- Note: 1. Contact JST for 0.76 μ m gold-plated products.
2. Refer to the top page of Common type (J2500) for circuit figure.
3. Not UL/TÜV listed.

Tab housing (Panel mounting type)



No. of circuits	Keying	Model No.	Dimensions (mm)					Q'ty
			A	B	C	D	E	
12	—	J25DPM-12V-K	17.5	22.3	29.7	22.6	27.3	200/bag
20	—	J25DPM-20V-K	31.5	36.3	43.7	36.6	41.3	132/box

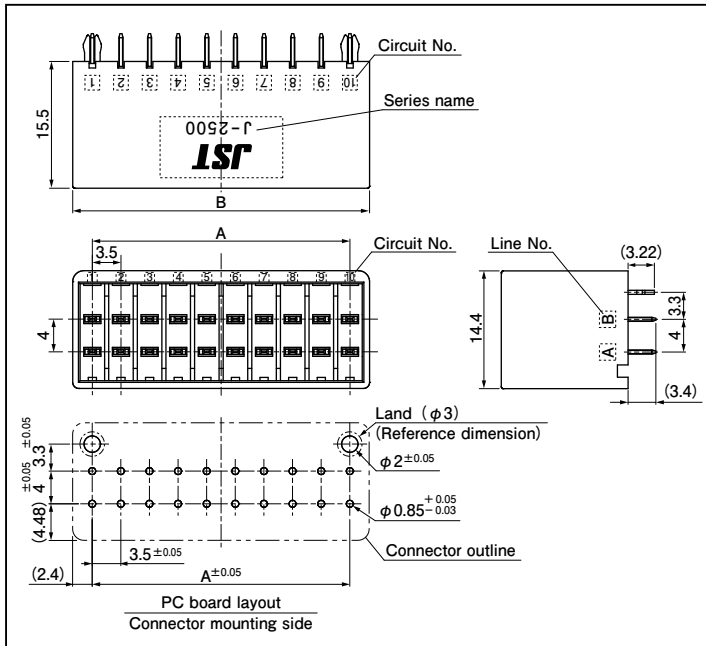
Material and Surface finish, etc.

PBT (Glass-filled), UL94V-0, black

Cross-section of receptacle housing assembly with common connection	Illustration when using	Circuit figure when using
<p>Inserted the contact for common connection to the inside of receptacle housing</p>	<p>*When using receptacle housing assembly with common connection</p>	<p>Contact for common connection Receptacle side</p> <p>Tab contact</p>

J2000 SERIES/COMMON TYPE/ J2500

Header (Top entry type)



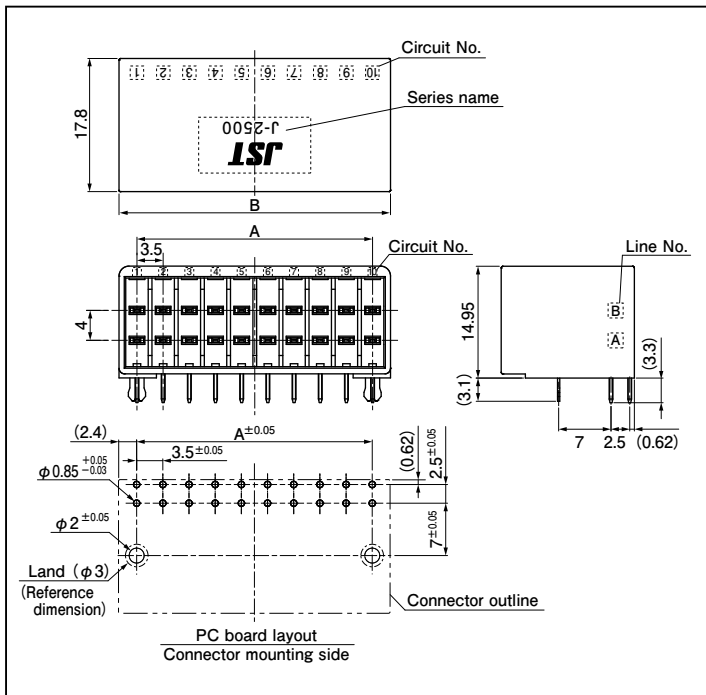
No. of circuits	Keying	Model No.	Dimensions (mm)		Q'ty/box
			A	B	
12	—	B12B-J25DK-GGR	17.5	22.3	108
20	—	B20B-J25DK-GGR	31.5	36.3	72

Material and Surface finish, etc.

Tab contact : Copper alloy, nickel-undercoated, selective gold-plated
 Housing : PBT (Glass-filled), UL94V-0, black
 Reinforcement : Copper alloy, nickel-undercoated, selective gold-plated

This product displays (LF)(AU) on a label.
 Note: Contact JST for 0.76 μm gold-plated products.

Header (Side entry type)



No. of circuits	Keying	Model No.	Dimensions (mm)		Q'ty/box
			A	B	
12	—	S12B-J25DK-GGR	17.5	22.3	108
20	—	S20B-J25DK-GGR	31.5	36.3	72

Material and Surface finish, etc.

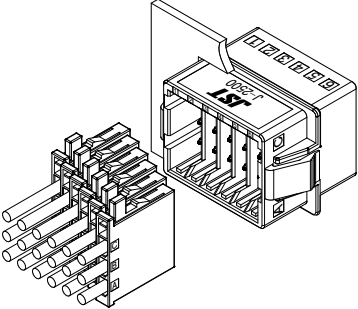
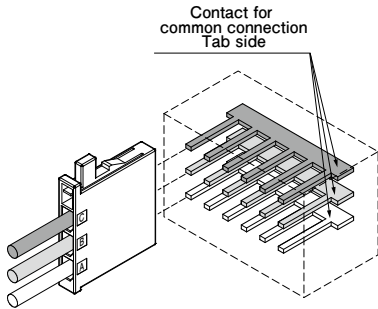
Tab contact : Copper alloy, nickel-undercoated, selective gold-plated
 Housing : PBT (Glass-filled), UL94V-0, black
 Reinforcement : Copper alloy, nickel-undercoated, selective gold-plated

This product displays (LF)(AU) on a label.
 Note: Contact JST for 0.76 μm gold-plated products.

J2000 SERIES/COMMON TYPE/ J2500

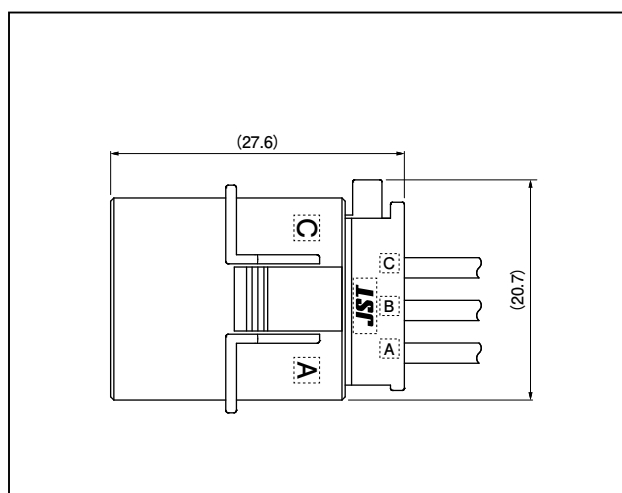
Triple-row Common type (J2500)

Current unit : A

Receptacle side	Tab side	Appearance	Circuit figure	Current rating : AC / DC					
				Wire size (AWG)					
				#20	#22	#24	#26	#28	Wire size remark
Normal Receptacle housing	Contact for common connection Tab side			5.5	5.0	4.5	4.0	3.5	Total input current on single-row

- Rationalization of wiring is realized by the common connection inside the connector.

Assembly layout

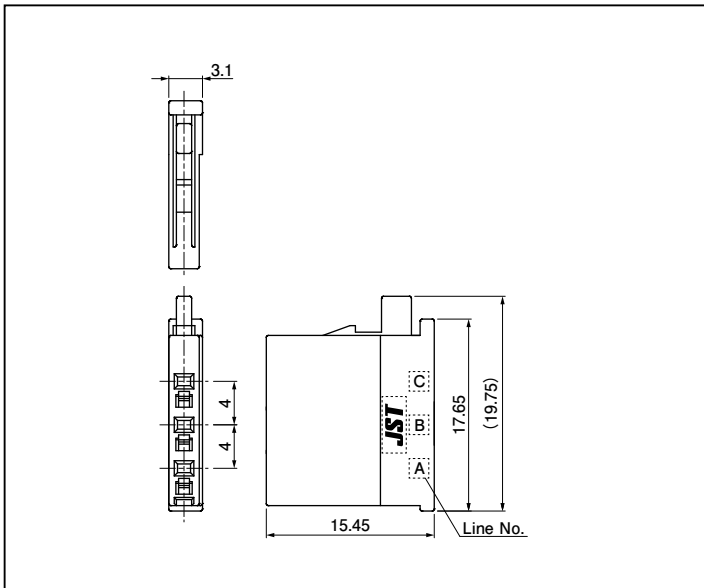


Specifications

- Current rating : Refer to the above table.
- Voltage rating : 250 V AC/DC
- Temperature range : -55°C to +105°C
(including temperature rise in applying electrical current)
- Applicable wire range : AWG #28 to AWG #20
- * Please note that the above general specifications may differ from the safety standards.
- * In using the products, refer to "Handling Precautions for Terminals and Connectors" described on our website (Technical documents of Product information page).
- * RoHS2 compliance
- * Dimensional unit: mm
- * Contact JST for details.

J2000 SERIES/COMMON TYPE/ J2500

Receptacle housing

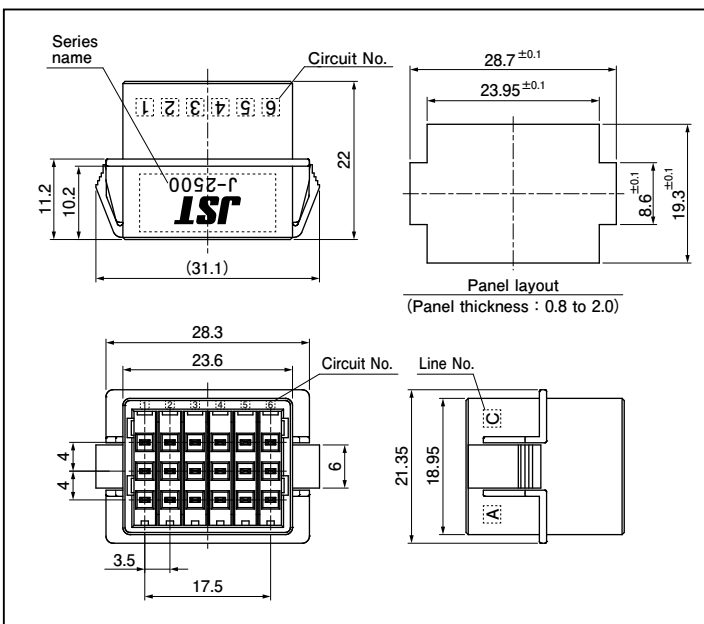


No. of circuits	Keying	Model No.	Q'ty/bag
3	-	J25TF-03V-K	600

Material and Surface finish, etc.

PBT (Glass-filled), UL94V-0, black

Common tab housing Assembly



No. of circuits	Keying	Model No.	Q'ty/box
18	-	P18B-J25TK-GFR	180

Material and Surface finish, etc.

Tab contact : Copper alloy, nickel-undercoated, selective gold-plated
Housing : PBT (Glass-filled), UL94V-0, black

Note: 1. Contact JST for 0.76 μm gold-plated products.
2. Refer to the top page of Common type (J2500) for circuit figure.

JFA CONNECTOR / J2000 SERIES

Model number allocation

Receptacle contact

Supply form: S...Strip form, B...Loose piece contact	S	J2	F	-01	GF	-P	1.0
Series name							
Type: Receptacle contact							
Applicable wire range: 002...AWG #28 to AWG #24 01...AWG #24 to AWG #20 21...AWG #22 to AWG #20							
Surface finish: GF...Nickel-undercoated, 0.38 μm selective gold-plated G1...Nickel-undercoated, 0.76 μm selective gold-plated							
Material: Copper alloy							
Size							

Tab contact

Supply form: S...Strip form B...Loose piece contact	S	J2	M	-01	GF	-M	1.0	N
Series name								
Type: Tab contact								
Applicable wire range: 002...AWG #28 to AWG #24 01...AWG #24 to AWG #20 21...AWG #22 to AWG #20								
Surface finish: GF...Nickel-undercoated, 0.38 μm selective gold-plated G1...Nickel-undercoated, 0.76 μm selective gold-plated								
Material: Copper alloy								
Size								
Sequential: N...Normal, S...Sequential								

Receptacle housing

Series name: J21...Center locking type J22...Side locking type J23...Module type J24...Hybrid type J25...Module type J28...Side locking type (Thin type)	J21	D	F	-06	V	-K	X	-L
Array: S...Single-row, D...Dual-row, M...Module, T...Triple-row, C...For sensor								
Type: F...Receptacle housing FS...Receptacle housing (Side locking type) (J2400 series only) FC...Receptacle housing (Center locking type) (J2400 series only)								
No. of circuits								
Flammability: UL94V-0								
Color: K...Black, S...Natural (White), PK...Pink, E...Blue, M...Green								
Keying: X...X-Keying, Y...Y-Keying, Sn...Special Keying, E...Space (2 spaces) for Keying block, Blank...Without Keying No.								
Keyway type (J2100 series only): L...Long keying type Blank...Short keying type (6-circuit: Long keying type)								

Tab housing

Series name: J21...Center locking type J25...Module type J28...Side locking type (Thin type)	J21	D	PM	-06	V	-K	X
Array: S...Single-row, D...Dual-row							
Mounting arrangement: PM...Panel mounting FM...Free hanging							
No. of circuits							
Flammability: UL94V-0							
Color: K...Black							
Keying: X...X-Keying, Y...Y-Keying, Blank...Without Keying No.							

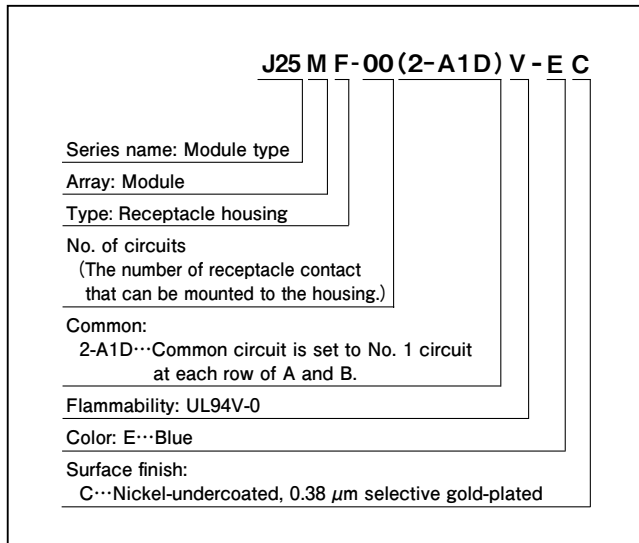
Header

Header type: B...Top entry type S...Side entry type	S	04	B	-J28	S	K	-GG	X	Q1	R
No. of circuits										
Part name: Assembly product										
Series name: J21...Center locking type J22...Side locking type J23...Module type J24...Hybrid type J25...Module type J28...Side locking type (Thin type)										
Array: S...Single-row, D...Dual-row										
Color: K...Black, S...Natural (White), PK...Pink, E...Blue, M...Green										
Surface finish: GG...Nickel-undercoated, 0.38 μm selective gold-plated GK...Nickel-undercoated, 0.76 μm selective gold-plated										
Keying: X...X-Keying, Y...Y-Keying, N...Special Keying, E...Space (2 spaces) for Keying block, Blank...Without Keying No.										
Sequential: Q1...Sequential, Blank...Normal										
Packaging form: Tray										

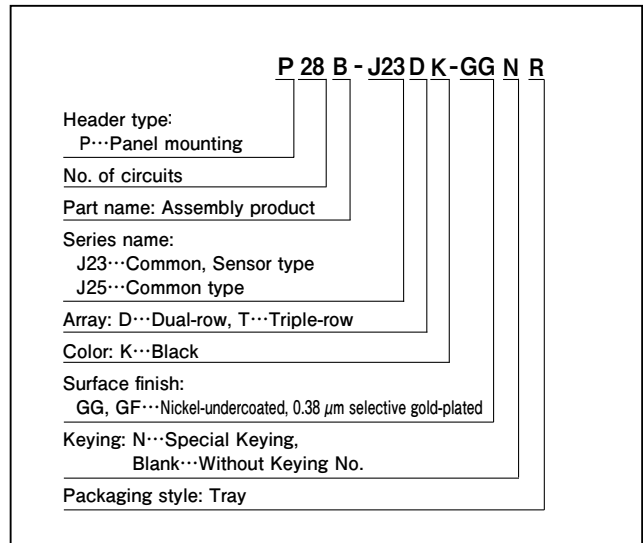
JFA CONNECTOR / J2000 SERIES

Model number allocation

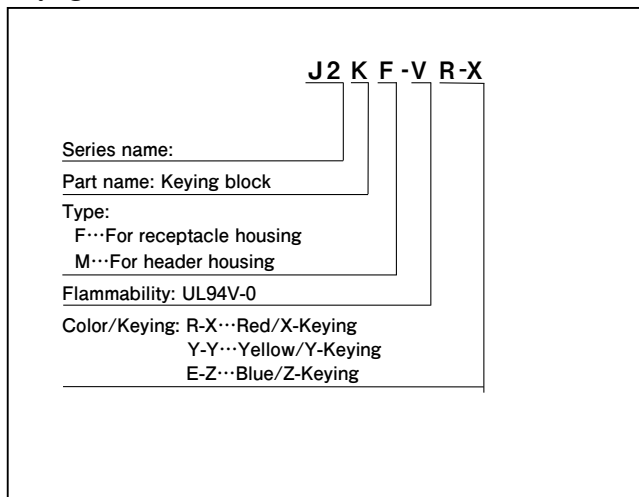
Receptacle housing assembly

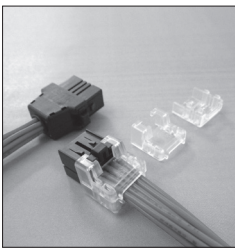


Common tab housing assembly

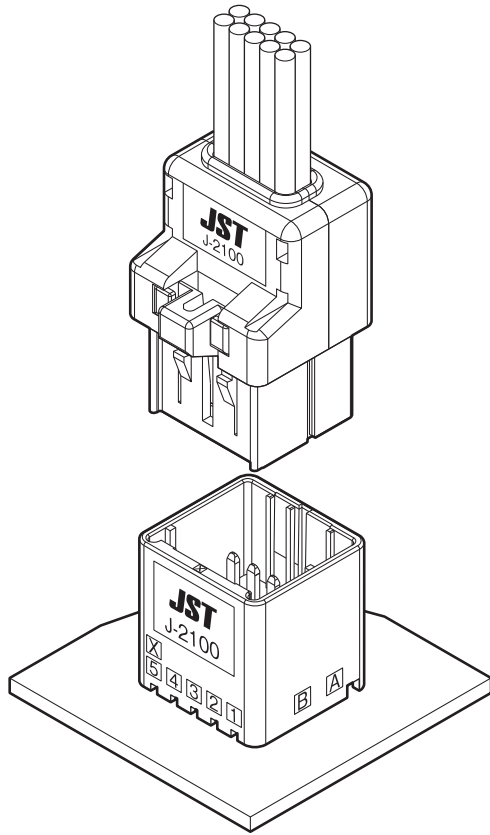


Keying block






JFA CONNECTOR J2000 SERIES PROTECTOR



Standards

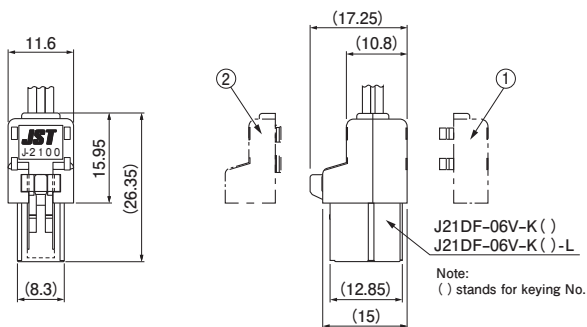
 J50209682

When applying a current to the connector, the protector prevents foreign substances being inserted into mating part from the wiring side. However it has no function of holding the wire securely.

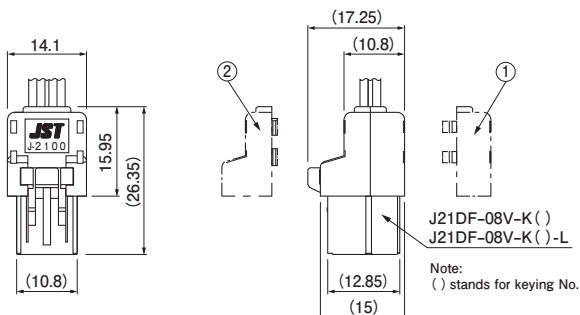
Note: Protector is unlisted in UL.

J2000 Series

• J2100 series for 6 circuits



• J2100 series for 8 circuits



No.	Model No.	Color	Q'ty/box
1	J21PF-06SCA	Transparent	2,250
2	J21PF-06SCB	Transparent	2,100

Material and Finish

Polycarbonate

RoHS2 compliance

No.	Model No.	Color	Q'ty/box
1	J21PF-08SCA	Transparent	480
2	J21PF-08SCB	Transparent	270

Material and Finish

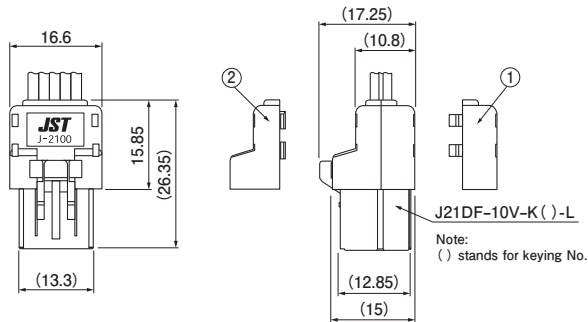
Polycarbonate

RoHS2 compliance

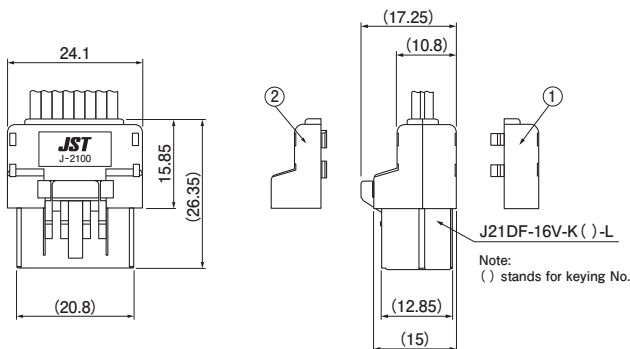
JFA CONNECTOR J2000 SERIES PROTECTOR

J2000 Series

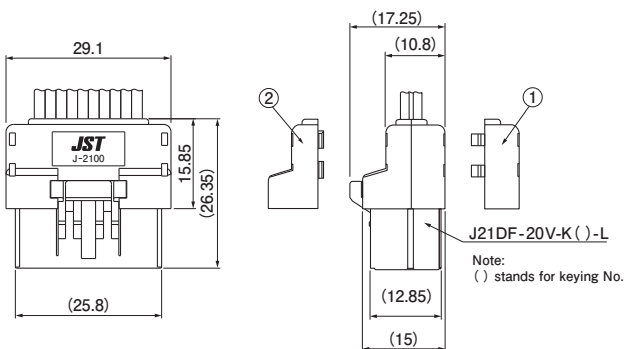
• J2100 series for 10 circuits



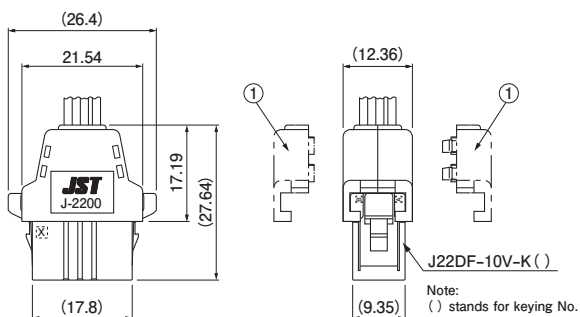
• J2100 series for 16 circuits



• J2100 series for 20 circuits



• J2200 series for 10 circuits



No.	Model No.	Color	Q'ty/box
1	J21PF-10VKA	Black	390
	J21PF-10SCA	Transparent	390
2	J21PF-10VKB	Black	234
	J21PF-10SCB	Transparent	234

Material and Finish

Black: Glass-filled PBT
Transparent: Polycarbonate

RoHS2 compliance

Note: Use the same color for protector 1 and 2.

No.	Model No.	Color	Q'ty/box
1	J21PF-16VKA	Black	270
	J21PF-16SCA	Transparent	270
2	J21PF-16VKB	Black	162
	J21PF-16SCB	Transparent	162

Material and Finish

Black: Glass-filled PBT
Transparent: Polycarbonate

RoHS2 compliance

Note: Use the same color for protector 1 and 2.

No.	Model No.	Color	Q'ty/box
1	J21PF-20VKA	Black	210
	J21PF-20SCA	Transparent	210
2	J21PF-20VKB	Black	126
	J21PF-20SCB	Transparent	126

Material and Finish

Black: Glass-filled PBT
Transparent: Polycarbonate

RoHS2 compliance

Note: Use the same color for protector 1 and 2.

No.	Model No.	Color	Q'ty/box
1	J22PF-10VK	Black	420

Material and Finish

Glass-filled PBT

RoHS2 compliance

Note: Two protectors are used.