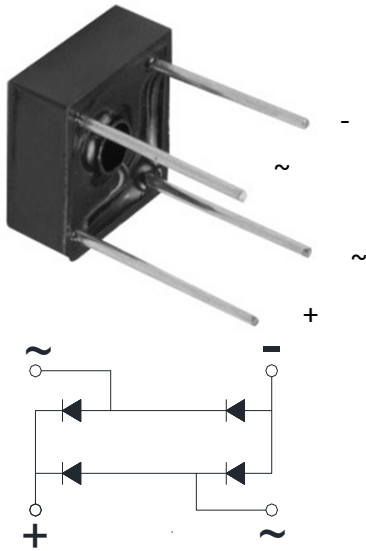




KBPC15005 THRU KBPC1510

Bridge Rectifiers



Features

- UL recognition, file #E230084
- Suitable for printed circuit board or chassis mounting
- Compact construction
- High surge current capability
- Solder dip 275 °C max. 7s, per JESD 22-B106

Typical Applications

The KBPC series of single phase rectifier bridge consists of four silicon junctions connected as a full bridge. These devices are intended for general use in industrial and consumer equipment.

Mechanical Data

- **Package:** KBPC8
Molding compound meets UL 94 V-0 flammability rating, RoHS-compliant
- **Terminals:** Tin plated leads, solderable per J-STD-002 and JESD22-B102
- **Polarity:** As marked on body

■ Maximum Ratings (T_a=25°C Unless otherwise specified)

PARAMETER	SYMBOL	UNIT	KBPC15005	KBPC1501	KBPC1502	KBPC1504	KBPC1506	KBPC1508	KBPC1510
Device marking code			KBPC15005	KBPC1501	KBPC1502	KBPC1504	KBPC1506	KBPC1508	KBPC1510
Repetitive Peak Reverse Voltage	V _{RRM}	V	50	100	200	400	600	800	1000
Average Rectified Output Current @60Hz sine wave, R-load, T _a =40°C	I _O	A	15						
Surge(Non-repetitive)Forward Current @60Hz Half- sine Wave, 1 cycle, T _a =25°C	I _{FSM}	A	220						
Current Squared Time @1ms≤t≤8.3ms T _j =25°C, Rating of per diode	I ² t	A ² S	200						
Storage Temperature	T _{stg}	°C	-55 ~+150						
Junction Temperature	T _j	°C	-55 ~+150						

■ Electrical Characteristics (T_a=25°C Unless otherwise specified)

PARAMETER	SYMBOL	UNIT	TEST CONDITIONS	KBPC15005	KBPC1501	KBPC1502	KBPC1504	KBPC1506	KBPC1508	KBPC1510
Maximum instantaneous forward voltage drop per diode	V _{FM}	V	I _{FM} =7.5A	1.1						
Maximum DC reverse current at rated DC blocking voltage per diode	I _{RRM}	μA	V _{RM} =V _{RRM}	10						

■ Thermal Characteristics (T_a=25°C Unless otherwise specified)

PARAMETER	SYMBOL	UNIT	KBPC15005	KBPC1501	KBPC1502	KBPC1504	KBPC1506	KBPC1508	KBPC1510
Thermal Resistance Between junction and ambient	R _{θJ-A}	°C/W	17						



KBPC15005 THRU KBPC1510

■ Ordering Information (Example)

PREFERRED P/N	PACKAGE CODE	UNIT WEIGHT(g)	MINIMUM PACKAGE(pcs)	INNER BOX QUANTITY(pcs)	OUTER CARTON QUANTITY(pcs)	DELIVERY MODE
KBPC15005~KBPC1510	A1	Approximate 4.75	200	200	2000	Paper Box

■ Characteristics (Typical)

FIG1:Io-Tc Curve

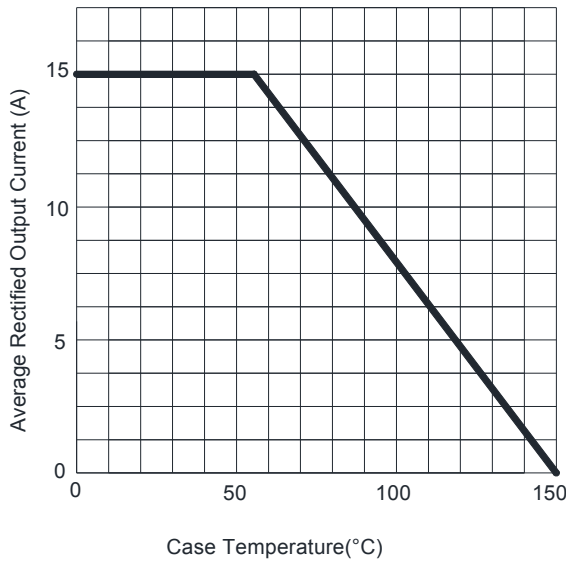


FIG2:Surge Forward Current Capability

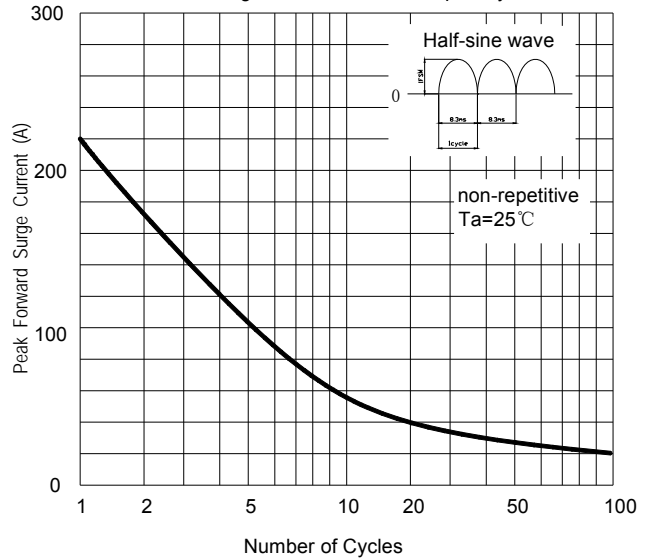


FIG3:Instantaneous Forward Voltage

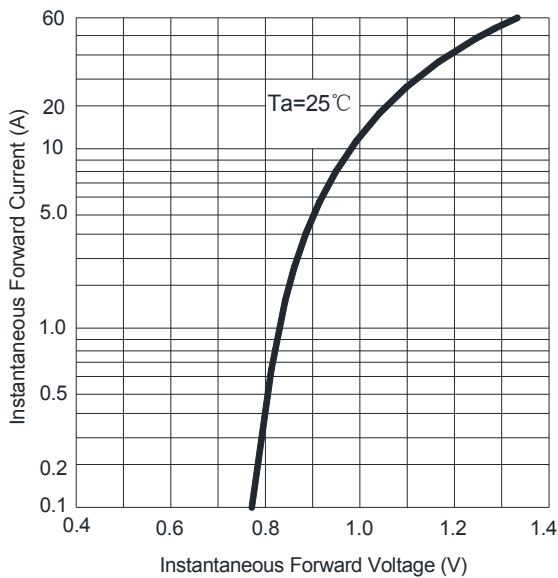
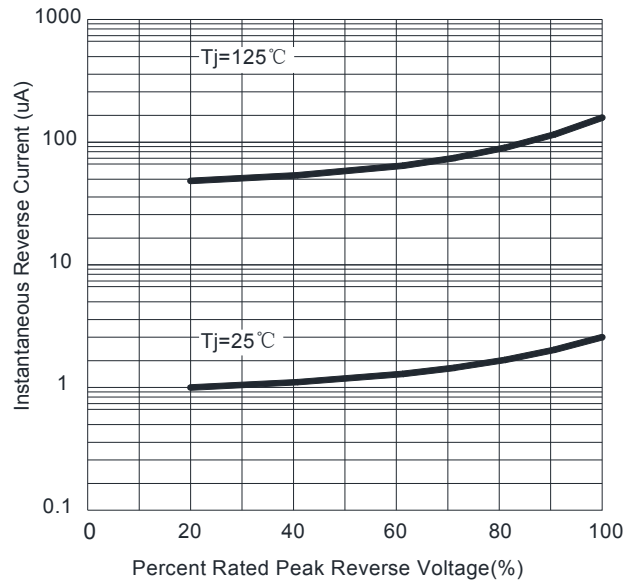


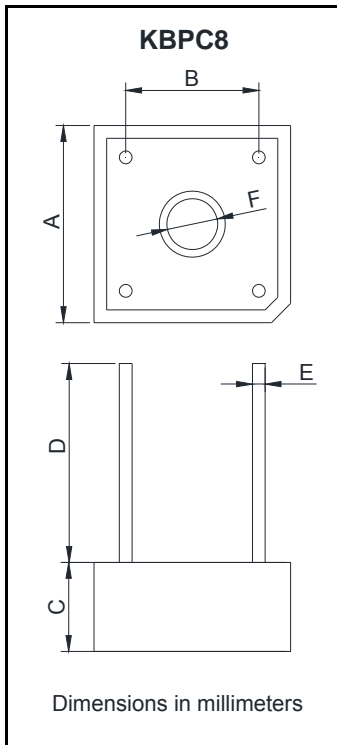
FIG4:Typical Reverse Characteristics





KBPC15005 THRU KBPC1510

■ Outline Dimensions



KBPC8		
Dim	Min	Max
A	18.54	19.58
B	12.2	13.2
C	6.35	7.6
D	15.0	/
E	1.2	1.3
F	3.8	4.2



KBPC15005 THRU KBPC1510

Disclaimer

The information presented in this document is for reference only. Yangzhou Yangjie Electronic Technology Co., Ltd. reserves the right to make changes without notice for the specification of the products displayed herein to improve reliability, function or design or otherwise.

The product listed herein is designed to be used with ordinary electronic equipment or devices, and not designed to be used with equipment or devices which require high level of reliability and the malfunction of which would directly endanger human life (such as medical instruments, transportation equipment, aerospace machinery, nuclear-reactor controllers, fuel controllers and other safety devices), Yangjie or anyone on its behalf, assumes no responsibility or liability for any damages resulting from such improper use of sale.

This publication supersedes & replaces all information previously supplied. For additional information, please visit our website [http:// www.21yangjie.com](http://www.21yangjie.com) , or consult your nearest Yangjie's sales office for further assistance.