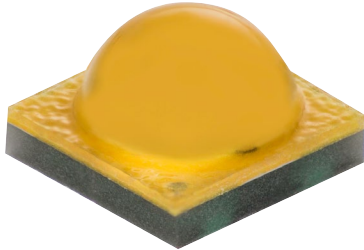


# Cree® XLamp® XT Family LEDs



## INTRODUCTION

This application note applies to XLamp® XT Family LEDs, which have order codes in the following format.

XTxxxx-xx-xxxx-xxxxxxxxxx

This application note explains how XLamp XT Family LEDs and assemblies containing these LEDs should be handled during manufacturing. Please read the entire document to understand how to properly handle XLamp XT Family LEDs.

## TABLE OF CONTENTS

Handling XLamp® XT Family LEDs.....	2
Circuit Board Preparation & Layouts.....	5
Case Temperature (T <sub>c</sub> ) Measurement Point.....	5
Notes on Soldering XLamp® XT Family LEDs.....	6
Moisture Sensitivity .....	7
Low Temperature Operation.....	7
XLamp XT Family LED Reflow Soldering Characteristics.....	8
Chemicals & Conformal Coatings.....	9
Assembly Storage & Handling.....	10
Tape and Reel.....	11
Packaging & Labels .....	12

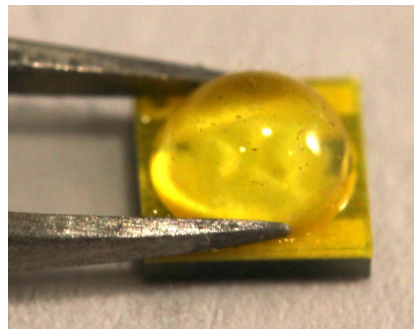
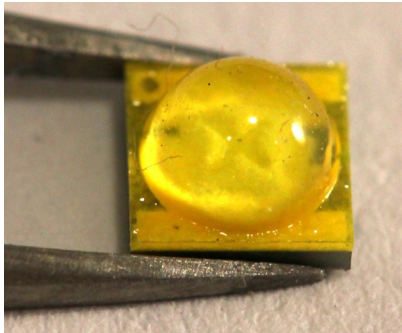
**HANDLING XLAMP® XT FAMILY LEDs**

**Manual Handling**

Use tweezers to grab XLamp XT Family LEDs at the base. Do not touch the lens with the tweezers. Do not touch the lens with fingers. Do not push on the lens.

Do not apply more than 1000 g of shear force directly onto the lens. Excessive force on the lens could damage the LED.

  
**CORRECT**



  
**WRONG**

Cree recommends the following at all times when handling XLamp XT Family LEDs or assemblies containing these LEDs:

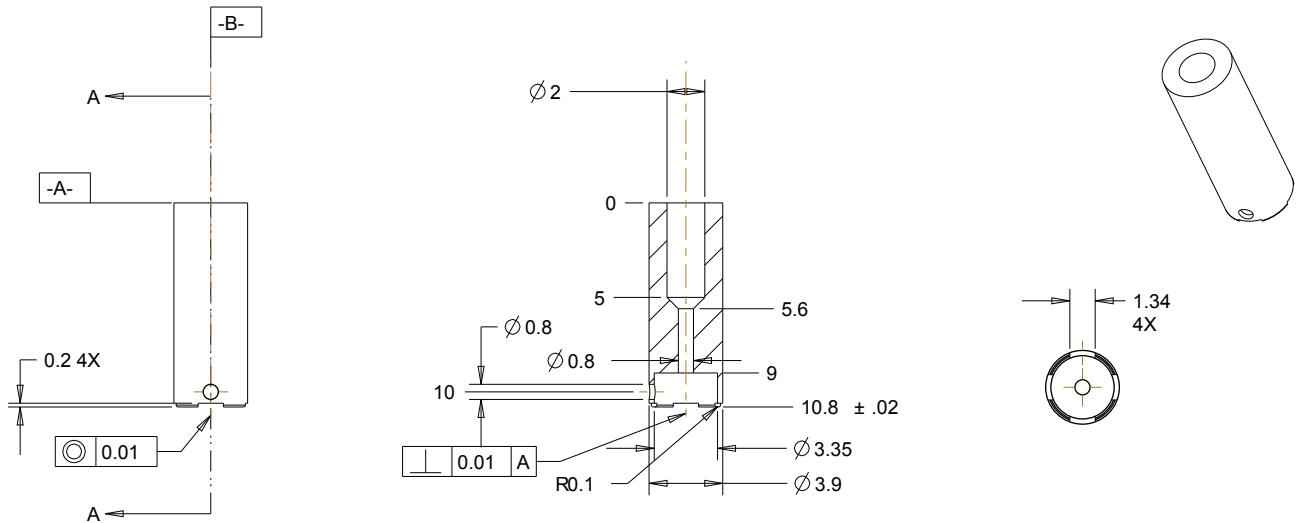
- Avoid putting mechanical stress on the LED lens.
- Never touch the optical surface with fingers or sharp objects. The LED lens surface could be soiled or damaged, which would affect the optical performance of the LED.
- Cree recommends always handling XT family LEDs with appropriate ESD grounding.
- Cree recommends handling XT family LEDs wearing clean, lint-free gloves.

**HANDLING XLAMP® XT FAMILY LEDS - CONTINUED**

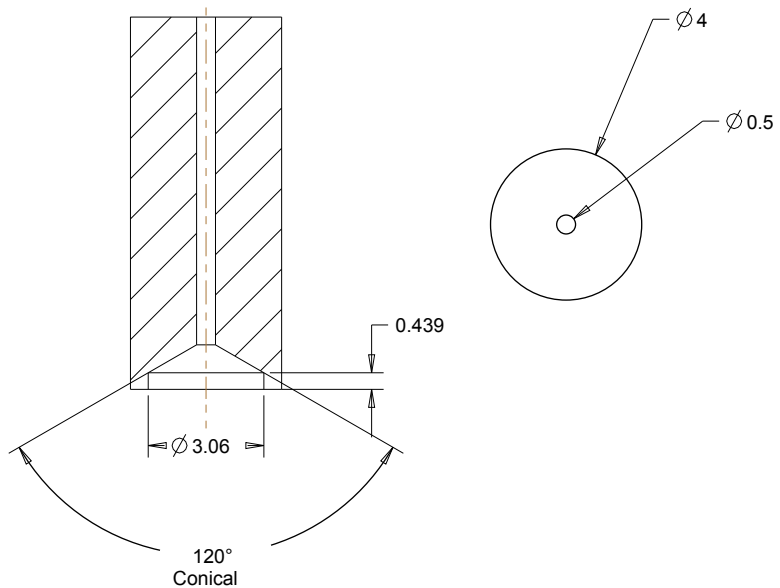
Whenever possible, Cree recommends the use of one of the following pick & place tools to remove XLamp XT Family LEDs from the factory tape & reel packaging.

All dimensions in mm

**Pick & Place Nozzle #1**



**Pick & Place Nozzle #2**

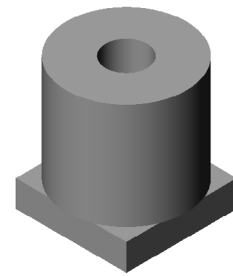
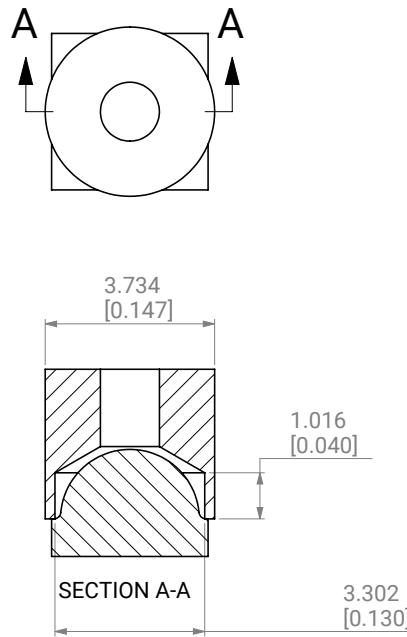


**HANDLING XLAMP® XT FAMILY LEDES - CONTINUED**

The following pick & place tool is specific to the XT Family LEDs The nozzle is implemented in urethane.

**Pick & Place Nozzle #3**

All dimensions in mm [in]

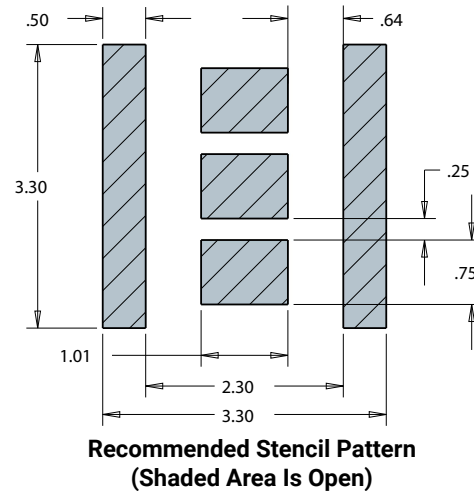
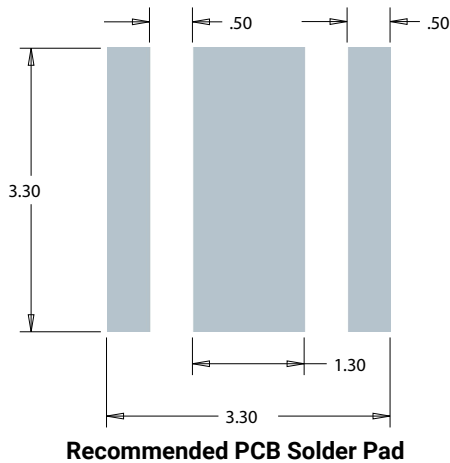


**CIRCUIT BOARD PREPARATION & LAYOUTS**

Printed circuit boards (PCBs) should be prepared and/or cleaned according to the manufacturer’s specifications before placing or soldering XLamp XT Family LEDs onto the PCB.

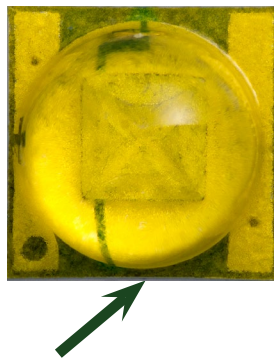
The diagram below shows the recommended PCB solder pad layout for XLamp XT Family LEDs.

All dimensions in mm



**CASE TEMPERATURE (T<sub>s</sub>) MEASUREMENT POINT**

XLamp XT Family LED case temperature (T<sub>s</sub>) should be measured on the PCB surface, as close to the LED’s thermal pad as possible. This measurement point is shown in the picture below.



It is not required to use a solder footprint for the thermal pad that is larger than the XLamp XT Family LED itself. In testing, Cree has found such a solder pad to have insignificant impact on the resulting T<sub>s</sub> measurement.

**NOTES ON SOLDERING XLAMP® XT FAMILY LEDs**

XLamp XT Family LEDs are designed to be reflow soldered to a PCB. Reflow soldering may be done by a reflow oven or by placing the PCB on a hotplate and following the reflow soldering profile listed on the previous page.

Do not wave solder XLamp XT Family LEDs. Do not hand solder XLamp XT Family LEDs.

  
**CORRECT**



  
**CORRECT**



  
**WRONG**

**Solder Paste Type**

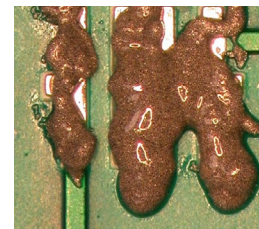
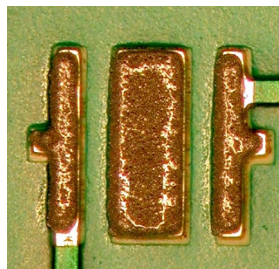
Cree strongly recommends using “no clean” solder paste with XLamp XT Family LEDs so that cleaning the PCB after reflow soldering is not required. Cree uses [Kester® R276 solder paste](#) internally.

Cree recommends the following solder paste compositions: SnAgCu (tin/silver/copper) and SnAg (tin/silver).

**Solder Paste Thickness**

The choice of solder and the application method will dictate the specific amount of solder. For the most consistent results, an automated dispensing system or a solder stencil printer is recommended. Cree has seen positive results using solder thickness that results in a 4-mil (102-µm) bond line, i.e., the solder joint thickness after reflow soldering.

  
**CORRECT**



  
**WRONG**

## NOTES ON SOLDERING XLAMP® XT FAMILY LEDS (CONTINUED)

---

### After Soldering

After soldering, allow XLamp XT Family LEDs to return to room temperature before subsequent handling. Premature handling of the device, especially around the lens, could result in damage to the LED.

Cree recommends verifying the solder process by checking the consistency of the solder bond of several trial PCBs after reflow. After shearing selected devices from the circuit board the solder should appear completely re-flowed (no solder grains evident). The solder areas should show minimum evidence of voids on the backside of the package and the PCB.

### Cleaning PCBs After Soldering

Cree recommends using “no clean” solder paste so that flux cleaning is not necessary after reflow soldering. If PCB cleaning is necessary, Cree recommends the use of isopropyl alcohol (IPA).

Do not use ultrasonic cleaning.

## MOISTURE SENSITIVITY

---

Cree recommends keeping XLamp LEDs in the provided, resealable moisture-barrier packaging (MBP) until immediately prior to soldering. Unopened MBPs that contain XLamp LEDs do not need special storage for moisture sensitivity.

Once the MBP is opened, XLamp XT-E LEDs may be stored as MSL 1 per JEDEC J-STD-033, meaning they have unlimited floor life in conditions of  $\leq 30$  °C/85% relative humidity (RH). Regardless of the storage condition, Cree recommends sealing any unsoldered LEDs in the original MBP.

## LOW TEMPERATURE OPERATION

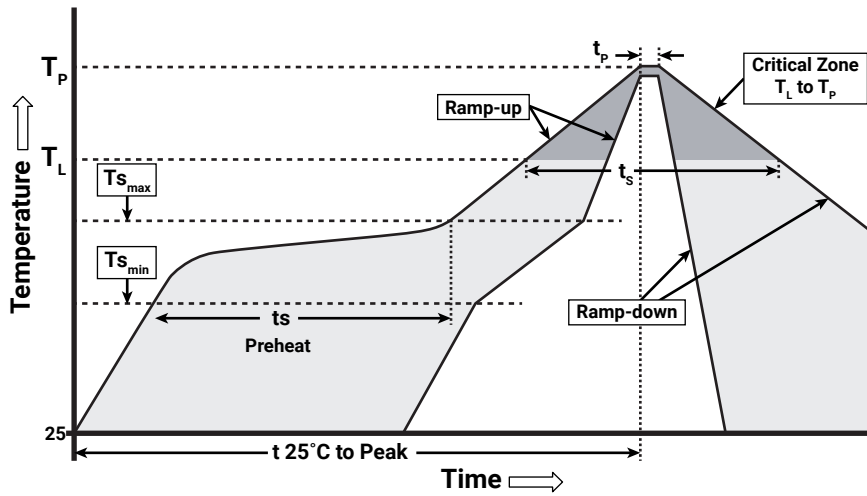
---

The minimum operating temperature of these XLamp components is -40 °C.

**XLAMP XT FAMILY LED REFLOW SOLDERING CHARACTERISTICS**

In testing, Cree has found XLamp XT Family LEDs to be compatible with JEDEC J-STD-020C, using the parameters listed below. As a general guideline, Cree recommends that users follow the recommended soldering profile provided by the manufacturer of the solder paste used, and therefore it is the lamp or luminaire manufacturer’s responsibility to determine applicable soldering requirements.

Note that this general guideline may not apply to all PCB designs and configurations of reflow soldering equipment.



IPC/JEDEC J-STD-020C

Profile Feature	Lead-Free Solder
Average Ramp-Up Rate ( $T_{S_{max}}$ to $T_p$ )	1.2 °C/second
Preheat: Temperature Min ( $T_{S_{min}}$ )	120 °C
Preheat: Temperature Max ( $T_{S_{max}}$ )	170 °C
Preheat: Time ( $t_{s_{min}}$ to $t_{s_{max}}$ )	65-150 seconds
Time Maintained Above: Temperature ( $T_L$ )	217 °C
Time Maintained Above: Time ( $t_l$ )	45-90 seconds
Peak/Classification Temperature ( $T_p$ )	235 - 245 °C
Time Within 5 °C of Actual Peak Temperature ( $t_p$ )	20-40 seconds
Ramp-Down Rate	1 - 6 °C/second
Time 25 °C to Peak Temperature	4 minutes max.

Note: All temperatures refer to topside of the package, measured on the package body surface.



## CHEMICALS & CONFORMAL COATINGS

Below are representative lists of chemicals and materials to be used or avoided in LED manufacturing activities. For a complete and current list of recommended chemicals, conformal coatings and harmful chemicals consult Cree's [Chemical Compatibility Application Note](#). The video at [www.youtube.com/watch?v=t24bf9D\\_1SA](http://www.youtube.com/watch?v=t24bf9D_1SA) illustrates the process Cree has developed for testing the compatibility of chemicals and materials with LEDs. You should also consult your regional Cree Field Applications Engineer.

### Recommended Cleaning Solutions

Cree has found the following chemicals to be safe to use with XT Family LEDs.

- Water
- Isopropyl alcohol (IPA)

### Chemicals Tested as Harmful

In general, subject to the specifics in Cree's [Chemical Compatibility Application Note](#), Cree has found certain chemicals to be harmful to XT Family LEDs. Cree recommends not using these chemicals anywhere in an LED system containing XLamp XT Family LEDs. The fumes from even small amounts of the chemicals may damage the LEDs.

- Chemicals that might outgas aromatic hydrocarbons (e.g., toluene, benzene, xylene)
- Methyl acetate or ethyl acetate (i.e., nail polish remover)
- Cyanoacrylates (i.e., "Superglue")
- Glycol ethers (including Radio Shack® Precision Electronics Cleaner - dipropylene glycol monomethyl ether)
- Formaldehyde or butadiene (including Ashland® PLIOBOND® adhesive)

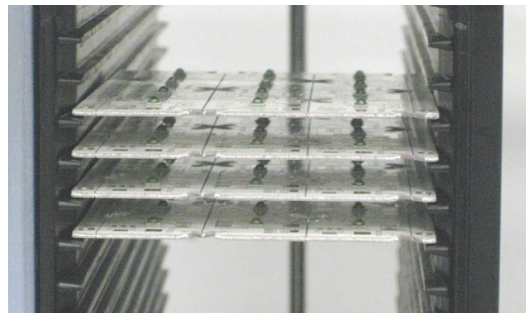
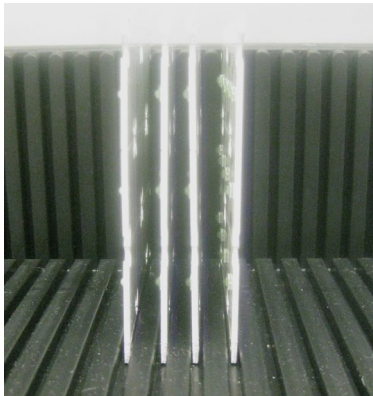
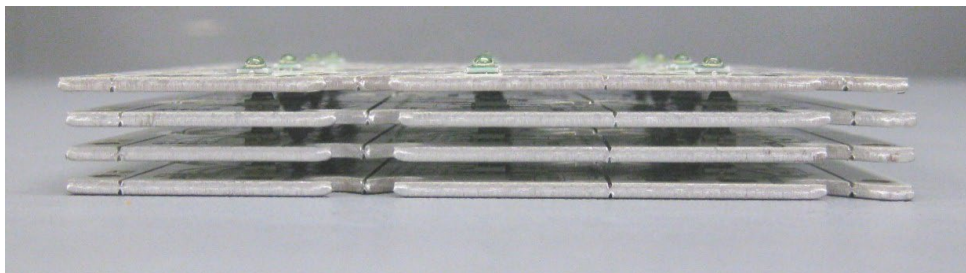
### Hermetically Sealing Luminaires

For proper LED operation and to avoid potential lumen depreciation and/or color shift, LEDs of all types must operate in an environment that contains oxygen. Simply allowing the LEDs to ventilate to air is sufficient; no extraordinary measures are required. Hermetically sealing LEDs in an enclosed space is not recommended.

**ASSEMBLY STORAGE & HANDLING**

Do not stack PCBs or assemblies containing XLamp XT Family LEDs so that anything rests on the LED lens. Force applied to the LED lens may result in the lens being knocked off. PCBs or assemblies containing XLamp XT Family LEDs should be stacked in a way to allow at least 1 cm clearance above the LED lens.

Do not use bubble wrap directly on top of XLamp XT Family LEDs. Force from the bubble wrap can potentially damage the LED.

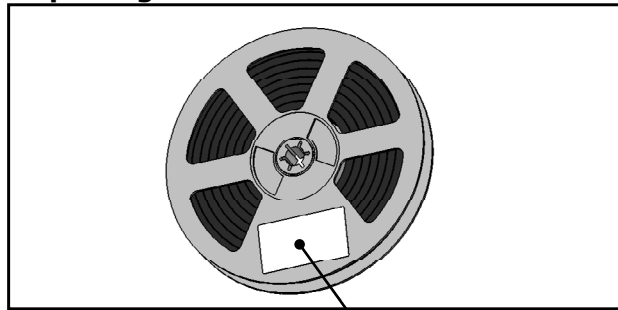
**CORRECT****CORRECT****WRONG**



**PACKAGING & LABELS**

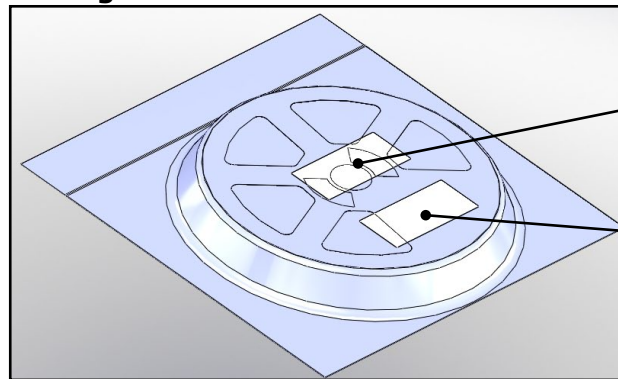
The diagrams below show the packaging and labels Cree uses to ship XLamp XT Family LEDs. XLamp XT Family LEDs are shipped in tape loaded on a reel. Each box contains only one reel in a moisture barrier bag.

**Unpackaged Reel**



Label with Cree Bin Code,  
Quantity, Reel ID

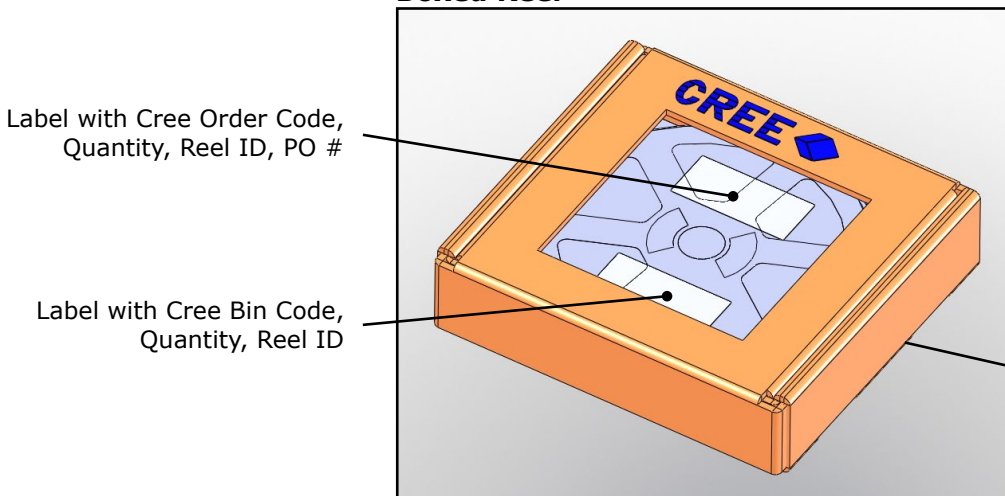
**Packaged Reel**



Label with Cree Order Code,  
Quantity, Reel ID, PO #

Label with Cree Bin Code,  
Quantity, Reel ID

**Boxed Reel**



Label with Cree Order Code,  
Quantity, Reel ID, PO #

Label with Cree Bin Code,  
Quantity, Reel ID

Patent Label  
(on bottom of box)