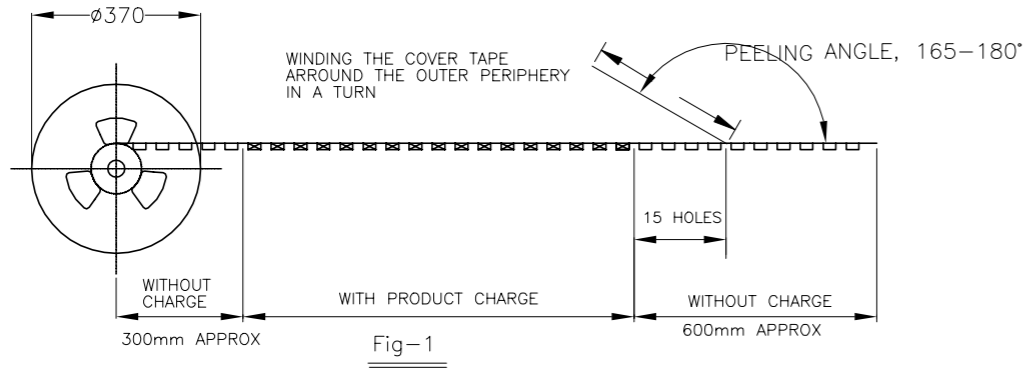
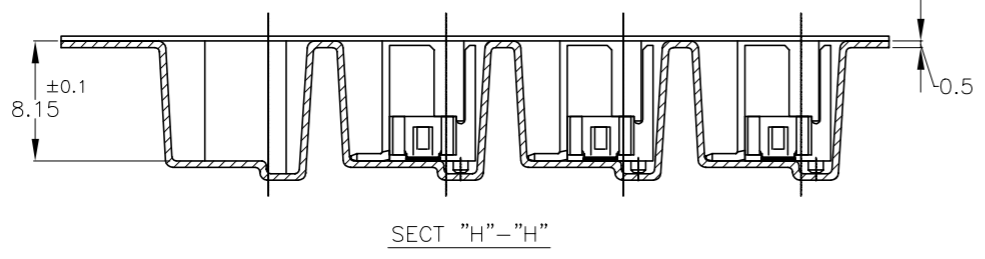
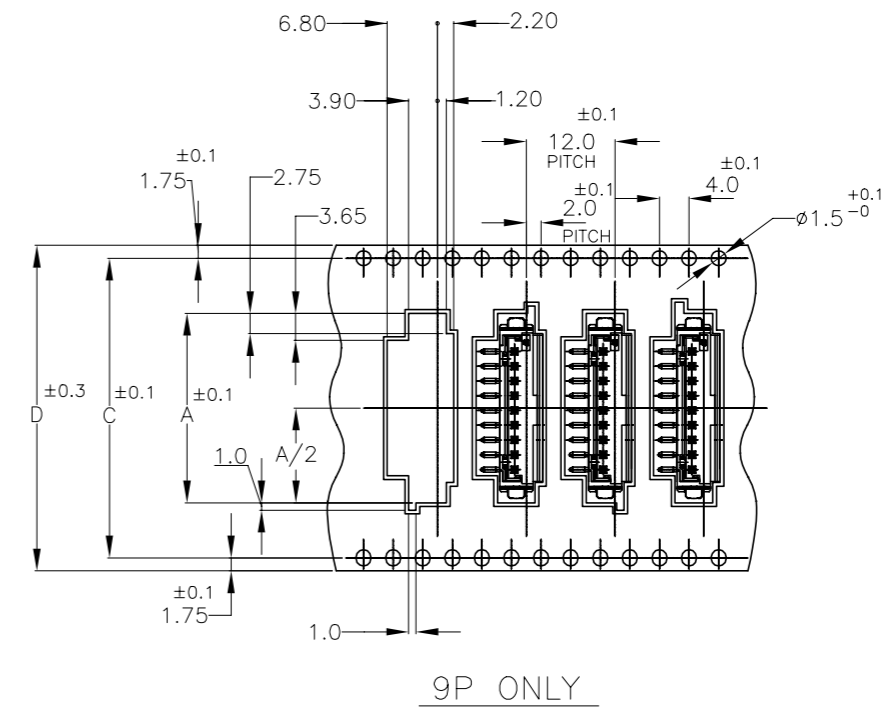
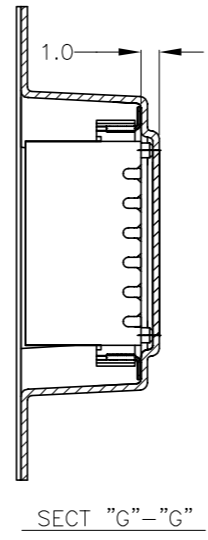
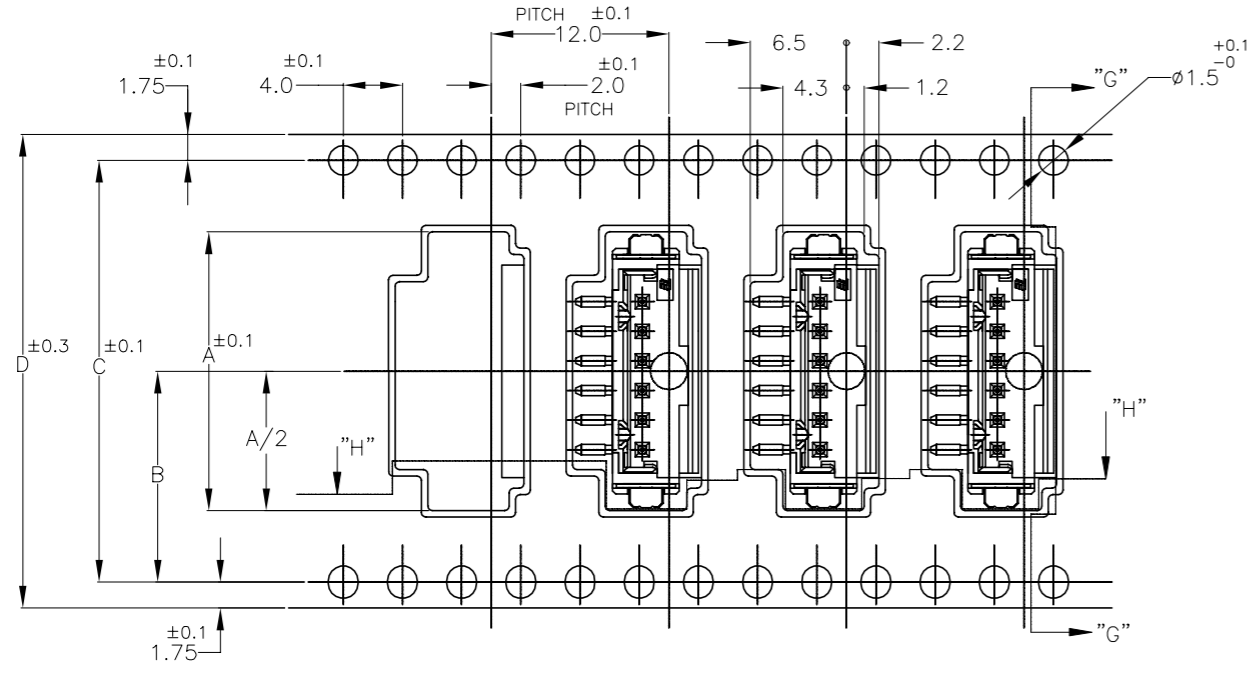


LOC	DIST	REVISIONS					
ES	00	P	LTR	DESCRIPTION	DATE	DWN	APVD
		C3		ECR-22-127164	27OCT2021	T.Q	N.S

(AS SHOWN : -6)



BLACK		44.0	40.5	20.25	25.6	9	2-292174-9	
		44.0	40.4	20.2	22.9	8	2-292174-8	
		32.0	28.4	14.2	20.9	7	2-292174-7	
		32.0	28.4	14.2	18.9	6	2-292174-6	
		32.0	28.4	14.2	16.9	5	2-292174-5	
		32.0	28.4	14.2	14.9	4	2-292174-4	
		32.0	28.4	14.2	12.9	3	2-292174-3	
WITH	32.0	28.4	14.2	10.9	700	2	2-292174-2	
NATURAL		44.0	40.5	20.25	25.6	9	292174-9	
		44.0	40.4	20.2	22.9	8	292174-8	
		32.0	28.4	14.2	20.9	7	292174-7	
		32.0	28.4	14.2	18.9	6	292174-6	
		32.0	28.4	14.2	16.9	5	292174-5	
		32.0	28.4	14.2	14.9	4	292174-4	
		32.0	28.4	14.2	12.9	3	292174-3	
WITH	32.0	28.4	14.2	10.9	700	2	292174-2	
COLOR	PLATE	D	C	B	A	QTY/ REEL	POS	TAPING P/N

NOTES:
 1. PEELING RESISTANCE: 0.196N(20gf)-0.686N(70gf)
 PEELING SPEED: 300mm/min

TOLERANCE UNLESS OTHERWISE SPECIFIED	
10>*	±0.2
30>*>10	±0.25
100>*>30	±0.3
ANGLE	±3°

THIS DRAWING IS A CONTROLLED DOCUMENT.

DWN JACK HOU 17SEP10
 CHK MARTIN LI 17SEP10
 APVD STEVEN YAO 17SEP10

TE Connectivity

ON TAPING (EMBOSS)
 TE CT CONNECTOR POST HEADER ASS'Y
 (BOX-V SMT W/BOSS & TAIL)

SIZE A3 CAGE CODE 00779 DRAWING NO C=292174 RESTRICTED TO -

CUSTOMER DRAWING SCALE 1:1 SHEET 1 OF 3 REV C3

THIS DRAWING IS UNPUBLISHED.

RELEASED FOR PUBLICATION

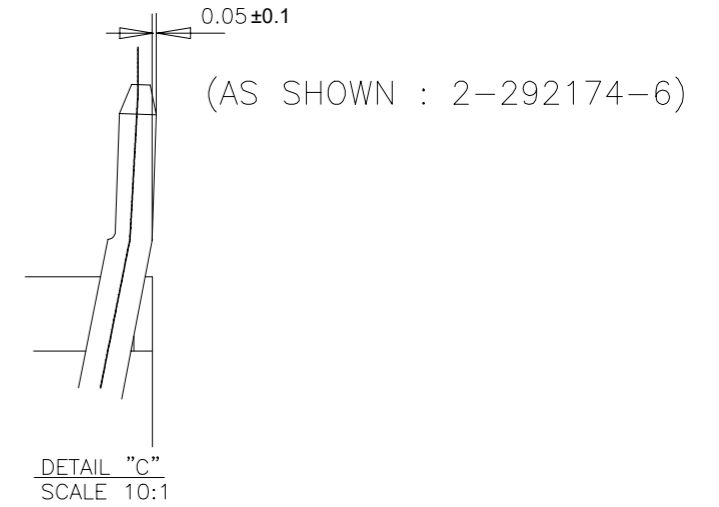
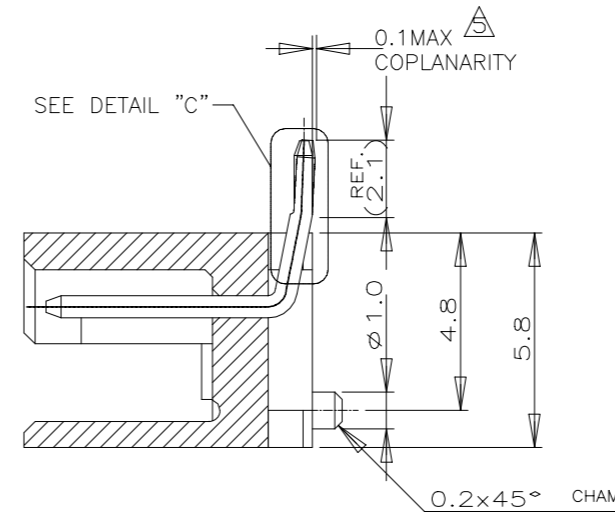
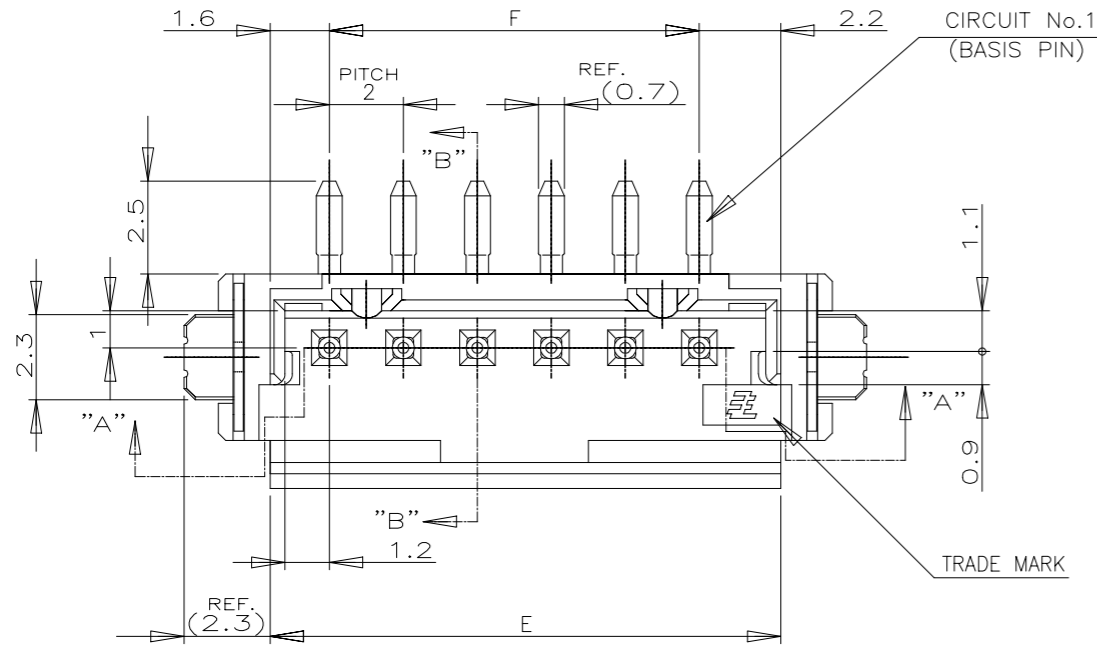
ALL RIGHTS RESERVED.

© COPYRIGHT - By -

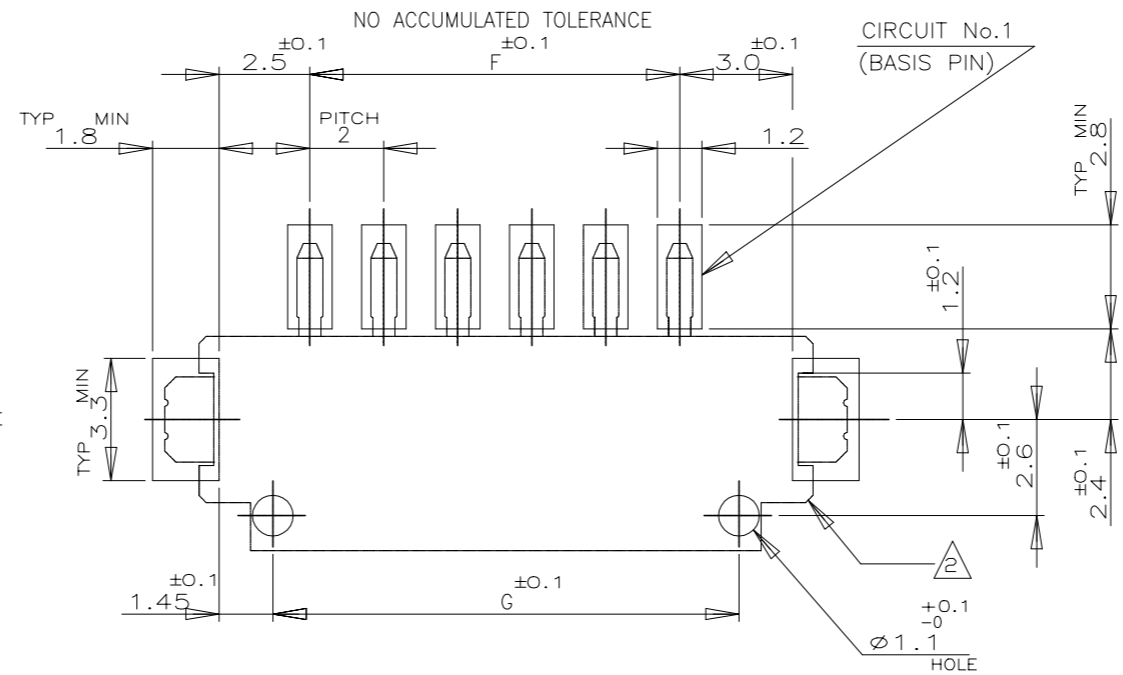
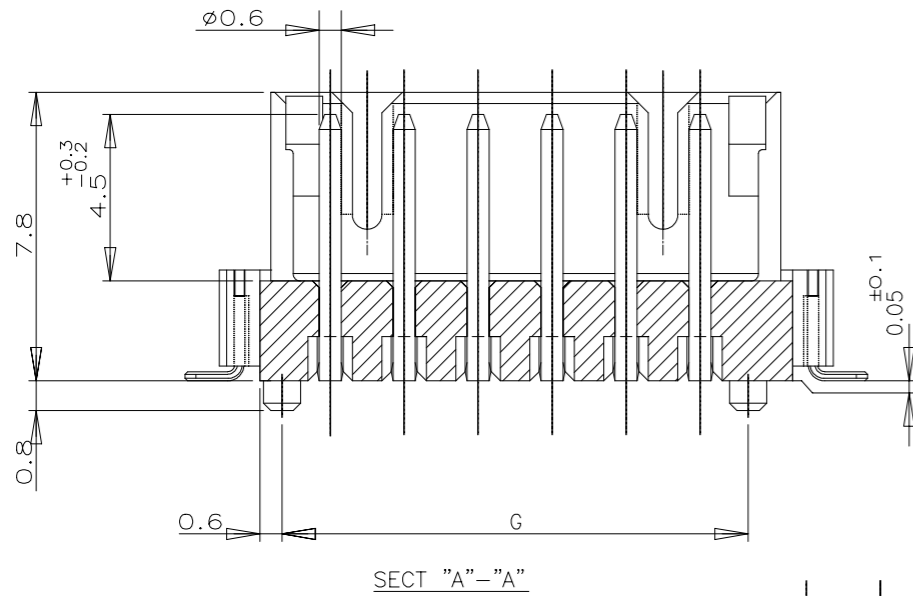
LOC ES DIST 00

REVISIONS

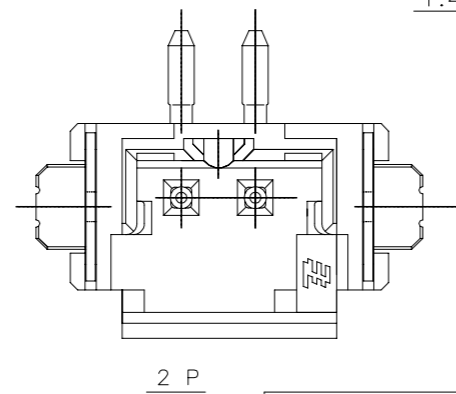
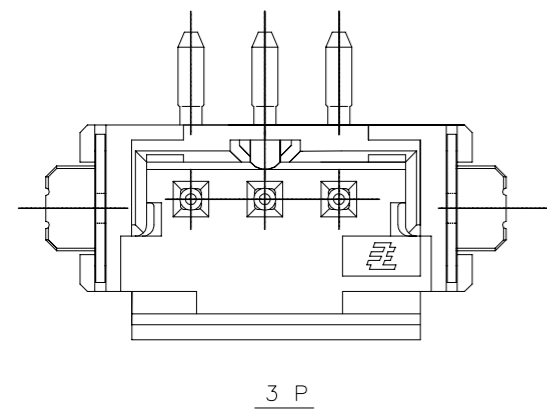
P	LTR	DESCRIPTION	DATE	DWN	APVD
-	-	SEE SHEET 1	-	-	-



- NOTES:
- MATERIAL:HSG: NYLON (UL94V-0)
COLOR:BLACK OR NATURAL
POST:TIN BRASS
TAIL:TIN BRASS
 - △ OCCUPANT AREA ON PC BOARD
 - PRODUCT SPEC :108-60016
 - △ TO BE MEASURED WITH CONNECTOR PLACED ON HORIZONTAL DATUM SURFACE,FLOAT OF SOLDER TINE AND TAIL FROM DATUM SURFACE IS 0.1mm MAX
 - △ 292174-6 SHOWED ON SHEET 3/3.



18.6	16.0	19.8	g	2-292174-9	2921749
16.6	14.0	17.8	8	2- -8	-8
14.6	12.0	15.8	7	2- -7	-7
12.6	10.0	13.8	6	2- -6	-6
10.6	8.0	11.8	5	2- -5	-5
8.6	6.0	9.8	4	2- -4	-4
6.6	4.0	7.8	3	2- -3	-3
4.6	2.0	5.8	2	2-292174-2	292174-2
G	F	E	Pos.	BLACK	NATURAL
P/N					



TOLERANCES UNLESS OTHERWISE SPECIFIED:
 10 > * : ±0.2
 30 > * > 10 : ±0.25
 100 > * > 30 : ±0.3
 ANGEL : ±3°

THIS DRAWING IS A CONTROLLED DOCUMENT.

DIMENSIONS: MM	TOLERANCES UNLESS OTHERWISE SPECIFIED:	DWN JACK HOU 17SEP10
0 PLC ± -	1 PLC ± -	CHK MARTIN LI 17SEP10
2 PLC ± -	2 PLC ± -	APVD STEVEN YAO 17SEP10
3 PLC ± -	3 PLC ± -	PRODUCT SPEC
4 PLC ± -	4 PLC ± -	APPLICATION SPEC
ANGLES ± -	ANGLES ± -	NAME
MATERIAL SEE NOTE	FINISH SEE NOTE	SIZE
		CAGE CODE
		DRAWING NO
		RESTRICTED TO
		WEIGHT
		SCALE
		SHEET
		REV

STE TE Connectivity

SMT TYPE POST HDR ASS'Y(V) WITH BOSS & WITH TAIL TYPE TE CT CONN. 2 mm PITCH

A3	00779	C=292174	SCALE N/A	SHEET 2 of 3	REV C3
----	-------	----------	-----------	--------------	--------

4

3

2

1

THIS DRAWING IS UNPUBLISHED.

RELEASED FOR PUBLICATION

ALL RIGHTS RESERVED.

© COPYRIGHT - By -

LOC ES DIST 00

REVISIONS

P	LTR	DESCRIPTION	DATE	DWN	APVD
-	-	SEE SHEET 1	-	-	-

1.6 F 2.2 CIRCUIT No.1 (BASIS PIN)

PITCH 2 REF. (0.7)

"B"

2.5 1.1

2.3 "A"

0.9

"B"

1.2

REF. (2.3) E

TRADE MARK

0.05±0.1

0.1MAX COPLANARITY

SEE DETAIL "C"

7.5 REF. (2.1)

∅1.0 4.8 5.8

0.2x45° CHAM

SECT "B"- "B"

0.05±0.1

(AS SHOWN : 292174-6)

DETAIL "C"
SCALE 10:1

NOTES;

2. MATERIAL:HSG: NYLON (UL94V-0)
COLOR:BLACK OR NATURAL
POST:TIN BRASS
TAIL:TIN BRASS

△ OCCUPANT AREA ON PC BOARD

4. PRODUCT SPEC :108-60016

△ TO BE MEASURED WITH CONNECTOR PLACED ON HORIZONTAL DATUM SURFACE, FLOAT OF SOLDER TINE AND TAIL FROM DATUM SURFACE IS 0.1mm MAX

∅0.6

7.8 +0.3
-0.2

4.5

0.8

0.6 G

SECT "A"- "A"

NO ACCUMULATED TOLERANCE

±0.1 F ±0.1

2.5 ±0.1 3.0 ±0.1

CIRCUIT No.1 (BASIS PIN)

TYP 1.8 MIN

PITCH 2

1.2

TYP MIN 2.8

±0.1

1.2

±0.1

2.6

±0.1

2.4

±0.1

1.45

±0.1 G ±0.1

∅1.1 HOLE

+0.1
-0

RECOMENOD P.C.BOARD LAYOUT
(P.C.B THK:0.8mm MIN)

18.6	16.0	19.8	g	2-292174-9	2921749
16.6	14.0	17.8	8	2- -8	-8
14.6	12.0	15.8	7	2- -7	-7
12.6	10.0	13.8	6	2- -6	-6
10.6	8.0	11.8	5	2- -5	-5
8.6	6.0	9.8	4	2- -4	-4
6.6	4.0	7.8	3	2- -3	-3
4.6	2.0	5.8	2	2-292174-2	292174-2
G	F	E	Pos.	BLACK	NATURAL
P/N					

3 P

2 P

TOLERANCES UNLESS OTHERWISE SPECIFIED:
10>* : ±0.2
30>*10 : ±0.25
100>*30 : ±0.3
ANGEL : ±3'

THIS DRAWING IS A CONTROLLED DOCUMENT.

DWN JACK HOU 17SEP10
CHK MARTIN LI 17SEP10
APVD STEVEN YAO 17SEP10

PRODUCT SPEC
APPLICATION SPEC
WEIGHT -

SEE NOTE

MATERIAL SEE NOTE
FINISH SEE NOTE

TOLERANCES UNLESS OTHERWISE SPECIFIED:
0 PLC ± -
1 PLC ± -
2 PLC ± -
3 PLC ± -
4 PLC ± -
ANGLES ± -

SEE NOTE

STE TE Connectivity

SMT TYPE POST HDR ASS'Y(V)
WITH BOSS & WITH TAIL TYPE
TE CT CONN. 2 mm PITCH

SIZE	CAGE CODE	DRAWING NO	RESTRICTED TO
A3	00779	C=292174	-
SCALE N/A		SHEET 3 of 3	REV C3

1470-19 (3/11)