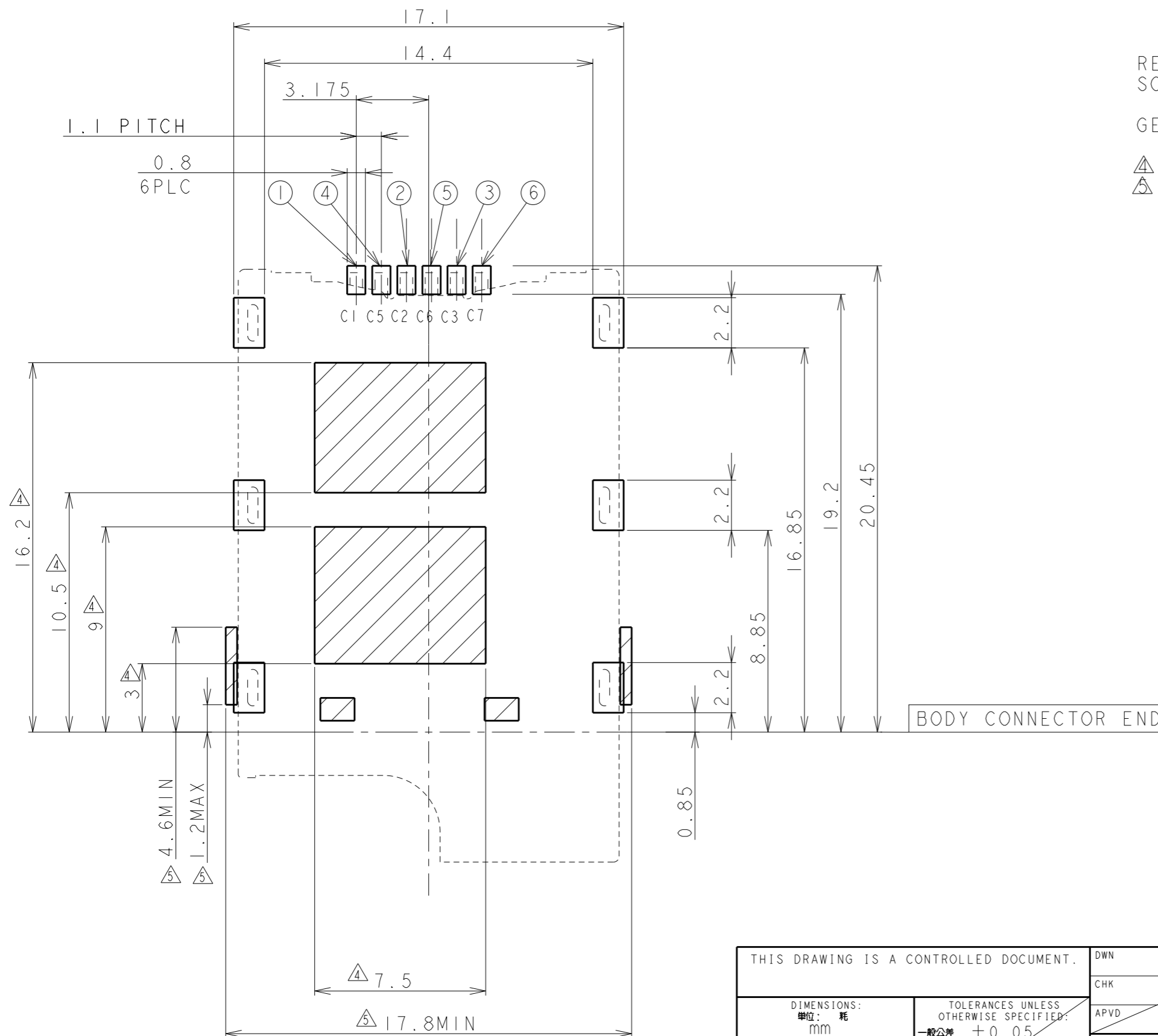


THIS DRAWING IS UNPUBLISHED. RELEASED FOR PUBLICATION 20
 © COPYRIGHT 20 BY TYCO ELECTRONICS CORPORATION. ALL RIGHTS RESERVED.

REVISIONS
変更

P	LTR	DESCRIPTION	DATE	DWN	APVD



REFERENCE PCB LAYOUT
 SCALE 5:1

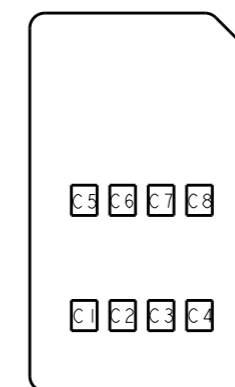
GENERAL TOLERANCE; ±0.05

△ HATCHING AREA; FORBIDDEN AREA OF PATTERN
 △ NO PARTS LOCATED IN THIS AREA

CONNECTOR PIN ASSIGNMENT

NO.	PIN NAME	DESCRIPTION
①	C1	Vcc OF SIM
②	C2	RST OF SIM
③	C3	CLK OF SIM
④	C5	GND OF SIM
⑤	C6	Vpp OF SIM
⑥	C7	I/O OF SIM

SIM CARD PIN ASSIGNMENT



PIN NO.	NAME
C1	Vcc
C2	RST
C3	CLK
C4	RESERVED
C5	GND
C6	Vpp
C7	I/O
C8	RESERVED

SCALE 2:1

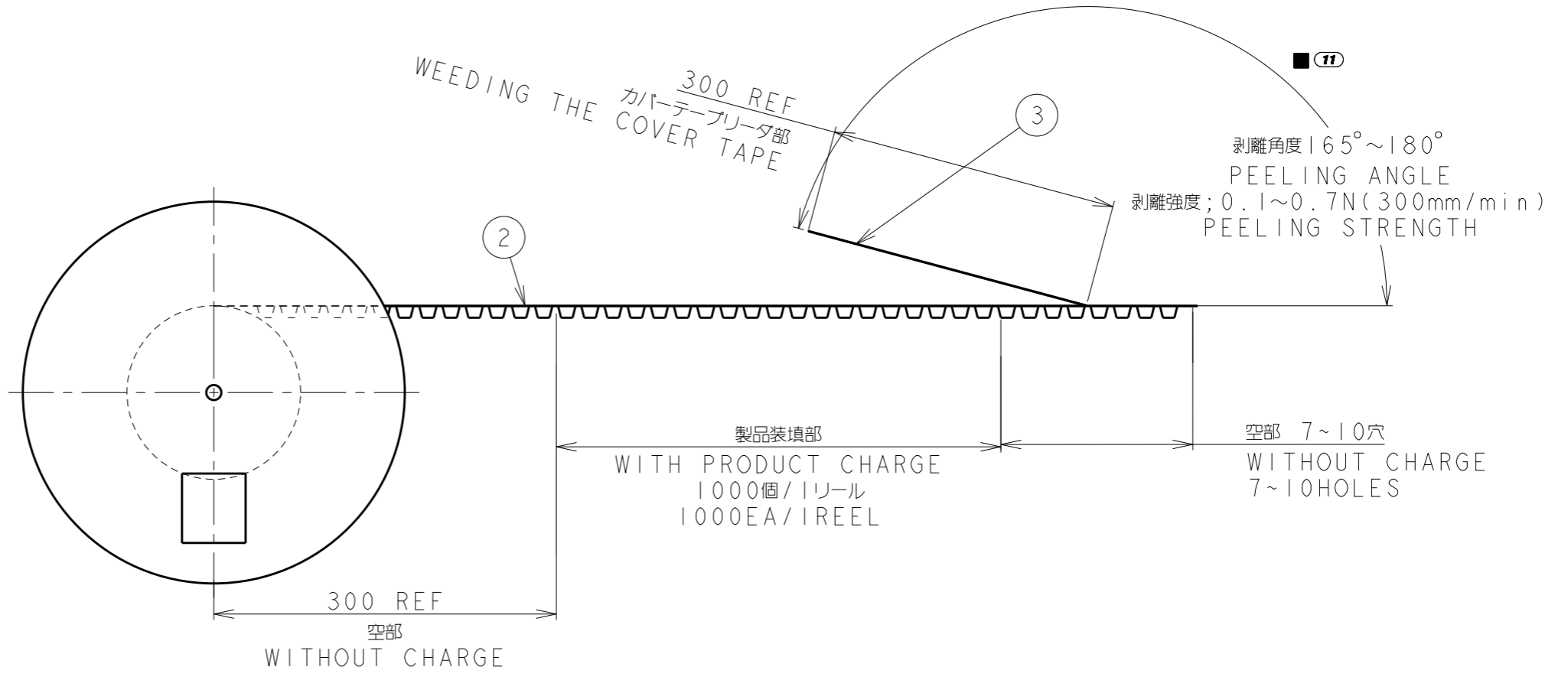
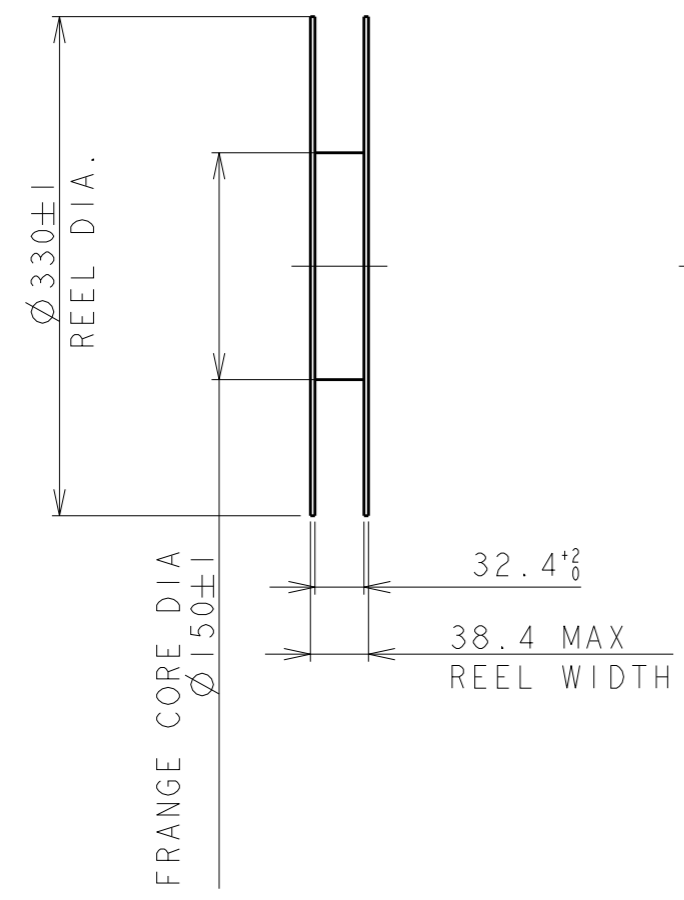
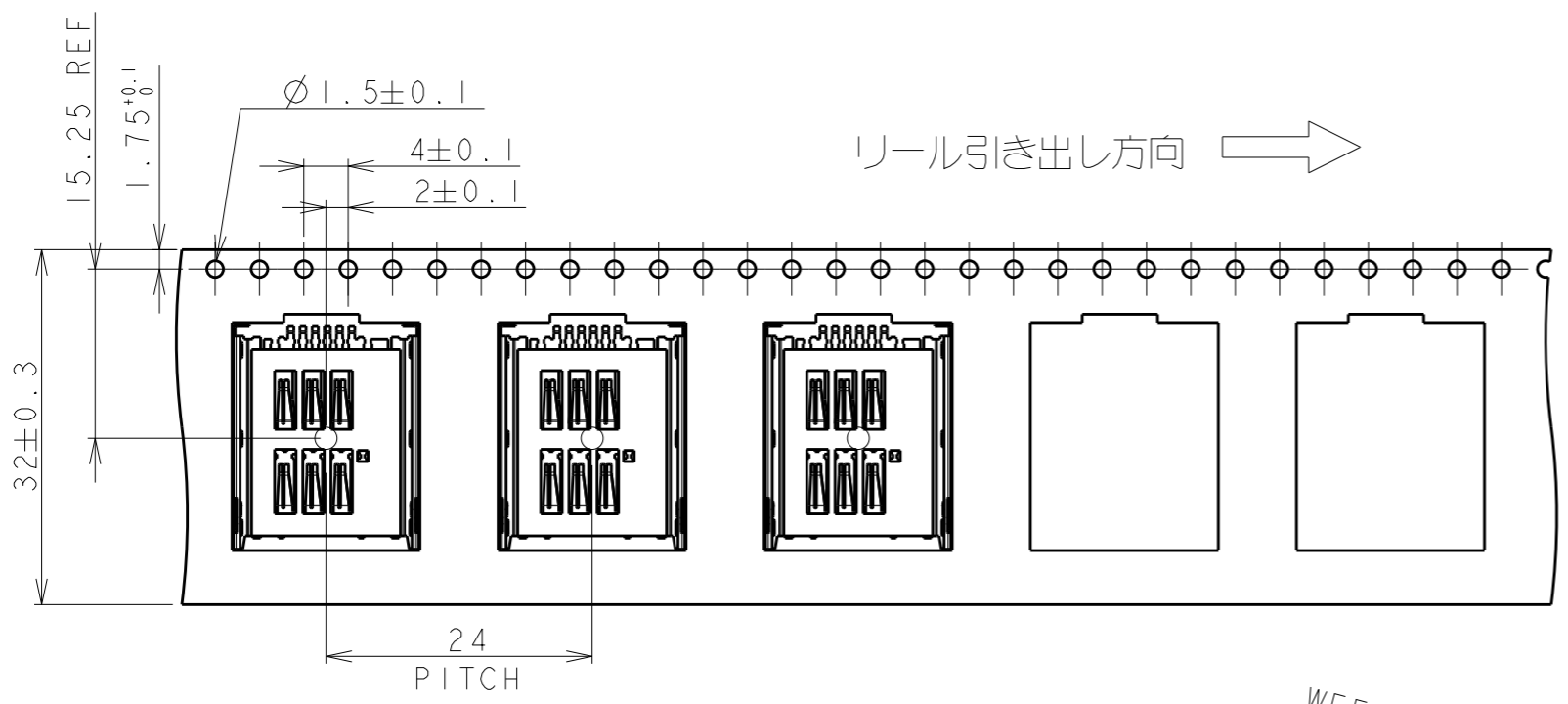
SIM CARD PAD LAYOUT

本図面に記載された内容はタイコ エレクトロニクス アンプ(株)の所有する情報を開示しております。
 無断で複写・配布する事を禁じます。 特許出願中

THIS DRAWING IS A CONTROLLED DOCUMENT.		DWN	TE Connectivity	
DIMENSIONS: 単位: 耗 mm		CHK		
TOLERANCES UNLESS OTHERWISE SPECIFIED: 一般公差 ±0.05		APVD	NAME 名称	
0 PLC ±		PRODUCT SPEC 製品規格	TS14-RVS DOUBLE CONTACT BODY ASSY	
1 PLC ±		APPLICATION SPEC 取付適用規格	SIZE	RESTRICTED TO
2 PLC ±		WEIGHT	A300779	C=2134034
3 PLC ±		Customer Drawing	CAGE CODE	
4 PLC ±		SCALE 尺度	DRAWING NO 番号	SHEET 2 OF 4
ANGLES ±		5:1	REV B	
FINISH 仕上		REV B		

THIS DRAWING IS UNPUBLISHED. RELEASED FOR PUBLICATION 20
 © COPYRIGHT 20 BY TYCO ELECTRONICS CORPORATION. ALL RIGHTS RESERVED.

REVISIONS				
P	LTR	DESCRIPTION	DATE	APVD



AS SHOWN : - 1

THIS DRAWING IS A CONTROLLED DOCUMENT.		DWN	STE TE Connectivity	
DIMENSIONS: □□: □ mm		CHK		
TOLERANCES UNLESS OTHERWISE SPECIFIED: □□□□ ± 0.15		APVD	NAME □□	
0 PLC ±		PRODUCT SPEC □□□□	TS14-RVS DOUBLE CONTACT BODY ASSY	
1 PLC ±		APPLICATION SPEC □□□□□□	SIZE A3	CAGE CODE 00779
2 PLC ±		WEIGHT	DRAWING NO. C-2134034	RESTRICTED TO
3 PLC ±			Customer Drawing	
4 PLC ±			SCALE □□ NTS	SHEET 3 OF 4
ANGLES ±			REV B	
FINISH □□				

THIS DRAWING IS UNPUBLISHED.

RELEASED FOR PUBLICATION

20

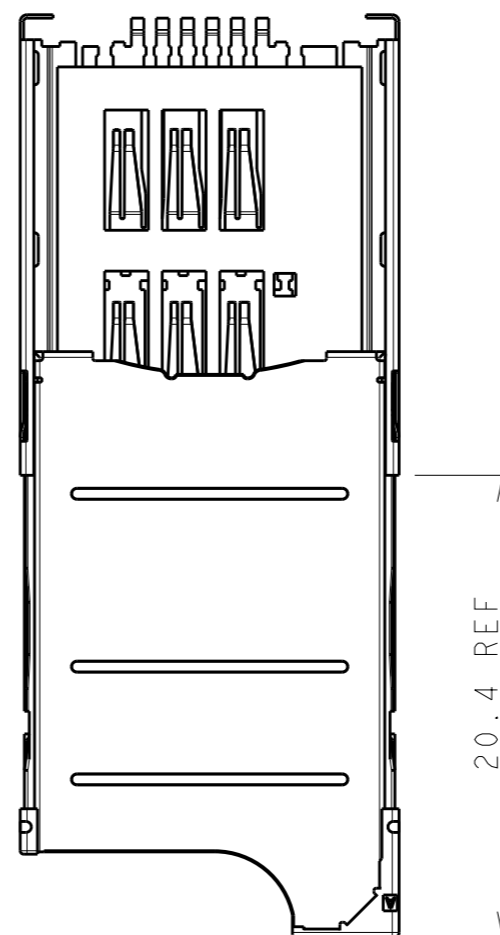
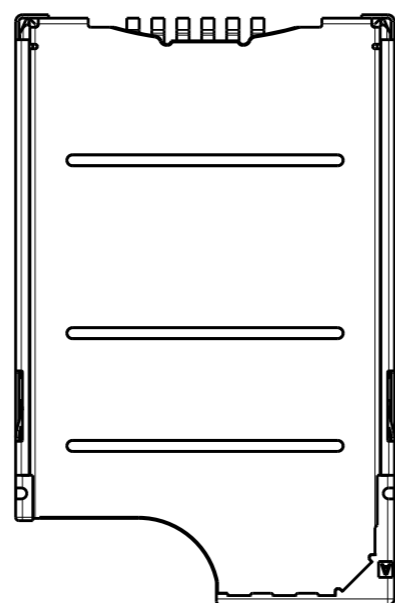
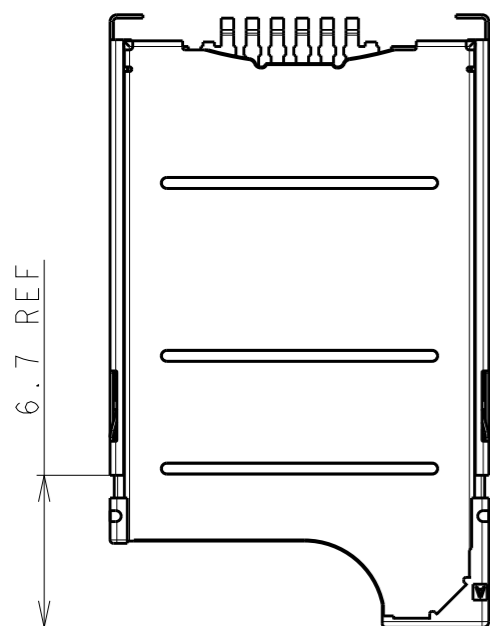
© COPYRIGHT 20 BY TYCO ELECTRONICS CORPORATION. ALL RIGHTS RESERVED.

REVISIONS

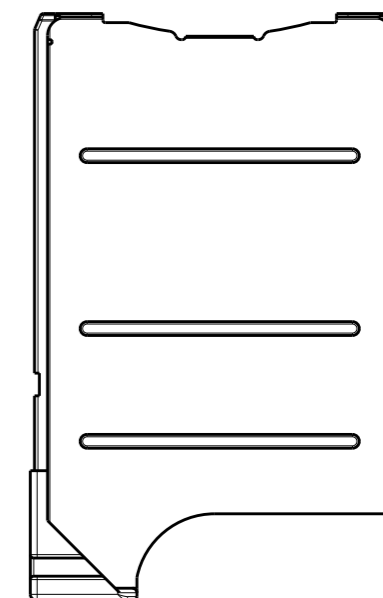
変更

P	LTR	DESCRIPTION	DATE	DWN	APVD

本図面に記載された内容はタイコ エレクトロニクス アンプ(株)の所有する情報を開示しております。
 無断で複写・配布する事を禁じます。 特許出願中



METAL TRAY
 P/N; 2134033-1



PAI COAT AREA
 PAIコート材範囲

POSITION IN WHICH CONTACT
 DEVIATE FROM SIM PAD
 コンタクトがSIMカードPADを外れる位置

NOMINAL POSITION
 通常使用時

TRAY EJECT POSITION
 TARY引き出し位置

THIS DRAWING IS A CONTROLLED DOCUMENT.		DWN	STE TE Connectivity	
DIMENSIONS: 単位: 耗 mm		CHK		
TOLERANCES UNLESS OTHERWISE SPECIFIED: 一般公差 ±0.15		APVD	NAME 名称	
0 PLC ±		PRODUCT SPEC 製品規格	TS14-RVS DOUBLE CONTACT BODY ASSY	
1 PLC ±		APPLICATION SPEC 取付適用規格	SIZE	RESTRICTED TO
2 PLC ±		WEIGHT	A300779	REV B
3 PLC ±		Customer Drawing	CAGE CODE	SCALE
4 PLC ±			G=2134034	尺度 3:1
ANGLES ±			DRAWING NO	SHEET
FINISH 仕上			番号	4 OF 4