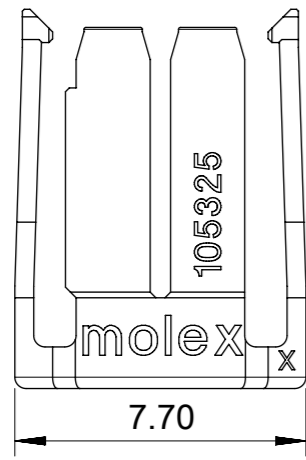


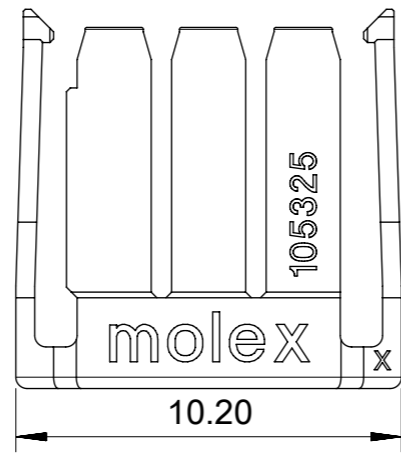
**NOTES:**

1. MATERIAL: PA4T, 30% GLASS FILLED, UL-94V-0.
2. PRODUCT SPECIFICATION: PS-105300-100.
3. PACKAGE SPECIFICATION: BAG, PK-105325-100.
4. THE COMPONENT COMPLIANT TO RoHS DIRECTIVE 2011/65/EU AND ELV DIRECTIVE 2000/53/EC.
5. PRODUCT MATES WITH SERIES OF 105307 AND 105308 (RECEPTACLE).
6. PARTS CONFORM TO CLASS 'B' REQUIREMENTS OF COSMETIC SPECIFICATION PS-45499-002.

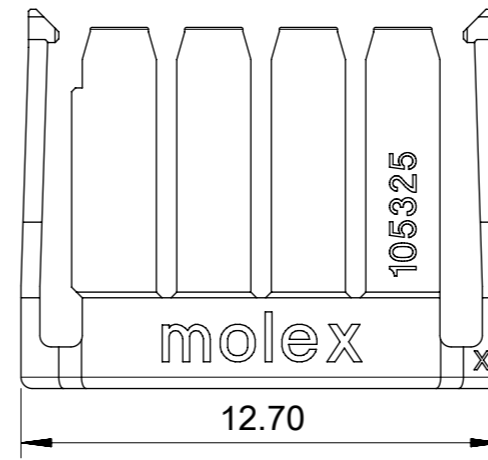
THIS DRAWING CONTAINS INFORMATION THAT IS PROPRIETARY TO MOLEX ELECTRONIC TECHNOLOGIES, LLC AND SHOULD NOT BE USED WITHOUT WRITTEN PERMISSION											
<b>QUALITY SYMBOLS</b> 		<b>GENERAL TOLERANCES (UNLESS SPECIFIED)</b> ANGULAR TOL ± 3.0 ° 4 PLACES ± 3 PLACES ± 0.1 2 PLACES ± 0.2 1 PLACE ± 0.3 0 PLACES ± DRAFT WHERE APPLICABLE MUST REMAIN WITHIN DIMENSIONS		DIMENSION UNITS: <b>mm</b> SCALE: <b>5:1</b> DRWN BY: <b>GLLI</b> DATE: <b>2014/12/12</b> CHK'D BY: DATE: APPR BY: <b>AYIN</b> DATE: <b>2015/08/24</b>				<b>TPA OF NANO-FIT RECEPTACLE, POWER CONNECTOR</b>			
EC NO: 103921 DRWN: GLLI CHK'D: AYIN REV: B APPR: AYIN		DRAFT WHERE APPLICABLE MUST REMAIN WITHIN DIMENSIONS		DRAWING SIZE: <b>A3</b> THIRD ANGLE PROJECTION:		<b>PRODUCT CUSTOMER DRAWING</b>		SERIES: <b>105325</b> MATERIAL NUMBER: <b>SEE SHEET 2</b> CUSTOMER: <b>GENERAL MARKET</b>			
RELEASE STATUS: <b>B</b>		RELEASE DATE: <b>07:07:27</b>		DOCUMENT NUMBER: <b>SD-105325-100</b>		DOC TYPE: <b>PSD</b>		DOC PART: <b>000</b>		SHEET NUMBER: <b>1 OF 2</b>	



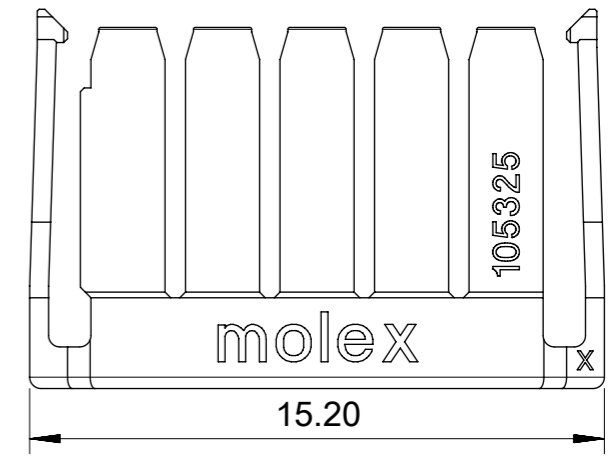
BLACK: 105325-1002  
NATURAL: 105325-2002



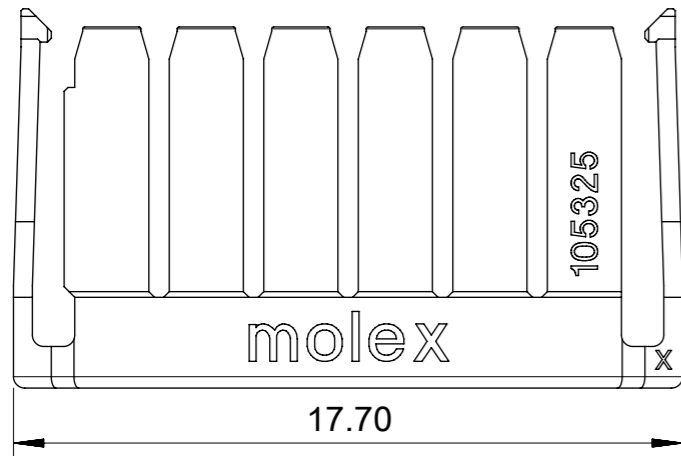
BLACK: 105325-1003  
NATURAL: 105325-2003



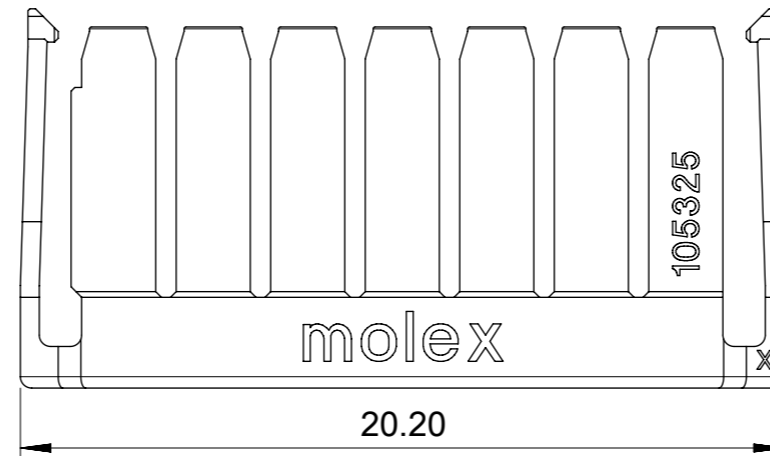
BLACK: 105325-1004  
NATURAL: 105325-2004



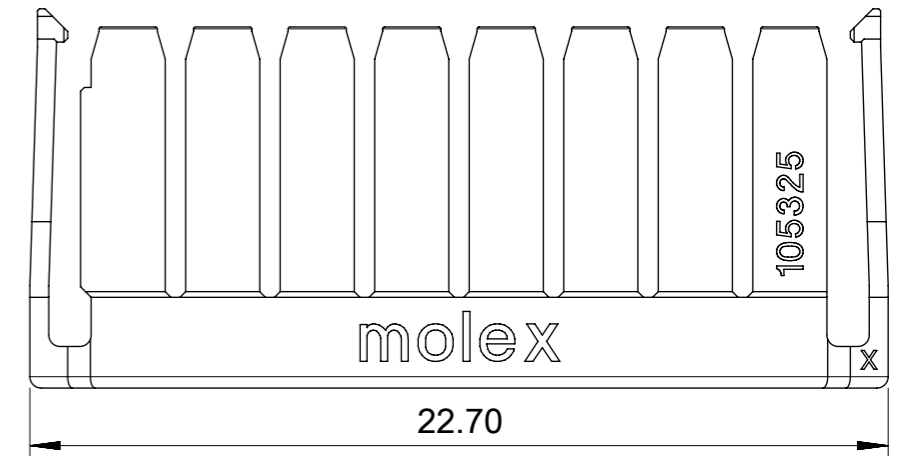
BLACK: 105325-1005  
NATURAL: 105325-2005



BLACK: 105325-1006  
NATURAL: 105325-2006



BLACK: 105325-1007  
NATURAL: 105325-2007



BLACK: 105325-1008  
NATURAL: 105325-2008

<b>QUALITY SYMBOLS</b> 	THIS DRAWING CONTAINS INFORMATION THAT IS PROPRIETARY TO MOLEX ELECTRONIC TECHNOLOGIES, LLC AND SHOULD NOT BE USED WITHOUT WRITTEN PERMISSION										
	EC NO: 103921 DRWN: GLLI CHK'D: AYIN REV APPR: AYIN	GENERAL TOLERANCES (UNLESS SPECIFIED) ANGULAR TOL ± 3.0 °		DIMENSION UNITS <b>mm</b>	SCALE <b>5:1</b>						
		4 PLACES ± 3 PLACES ± 0.1 2 PLACES ± 0.2 1 PLACE ± 0.3 0 PLACES ±	DRWN BY <b>GLLI</b>	DATE <b>2014/12/12</b>	TPA OF NANO-FIT RECEPTACLE, POWER CONNECTOR						
	<b>B</b>	DRAFT WHERE APPLICABLE MUST REMAIN WITHIN DIMENSIONS		DRAWING SIZE <b>A3</b>	THIRD ANGLE PROJECTION 	PRODUCT CUSTOMER DRAWING					
		APPR BY <b>AYIN</b>		DATE <b>2015/08/24</b>		SERIES <b>105325</b>	MATERIAL NUMBER <b>SEE REMARK</b>	CUSTOMER <b>GENERAL MARKET</b>			
		DOCUMENT NUMBER <b>SD-105325-100</b>			DOC TYPE <b>PSD</b>	DOC PART <b>000</b>	SHEET NUMBER <b>2 OF 2</b>				