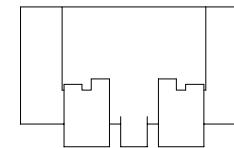
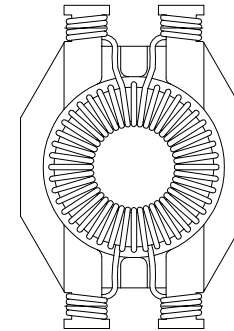


NOTES:

1. ROHS COMPLIANT
2. HEADER: LCP E5008L WITH FLAMMABILITY RATING UL 94V-0 OR BETTER.
3. STORAGE TEMPERATURE: -50°C TO +125°C
4. COMPLIANCE TO J-STD:
 - A. J-STD-002: SOLDERABILITY AT 245°C REFLOW PROFILE
 - B. J-STD-020: LEVEL 1, NO MOISTURE SENSITIVE
 - C. J-STD-075: R7, 245°C MAXIMUM THROUGH REFLOW SOLDER
5. TO ORDER TAPE & REEL PACKAGING ADD A "T" SUFFIX TO THE PART NUMBER(i.e TM8116NL BECOMES TM8116NLT).

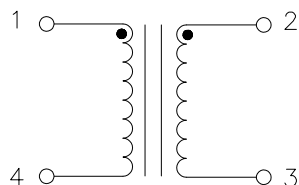


FINAL OUTLINE

© Copyright, 2016. Pulse Electronics Corp. All rights reserved. Pulse confidential & proprietary. (02/19/16)

PRODUCT DESCRIPTION	TLA DRAWING	PS DRAWING	SHEET	PART NO.	DATASHEET REV.
CMI 2 x 0.470 mH – SHASTA	TM8116NL-10	–	1 OF 3	TM8116NL	A

ELECTRICAL CHARACTERISTICS AT +25°C UNLESS OTHER SPECIFIED

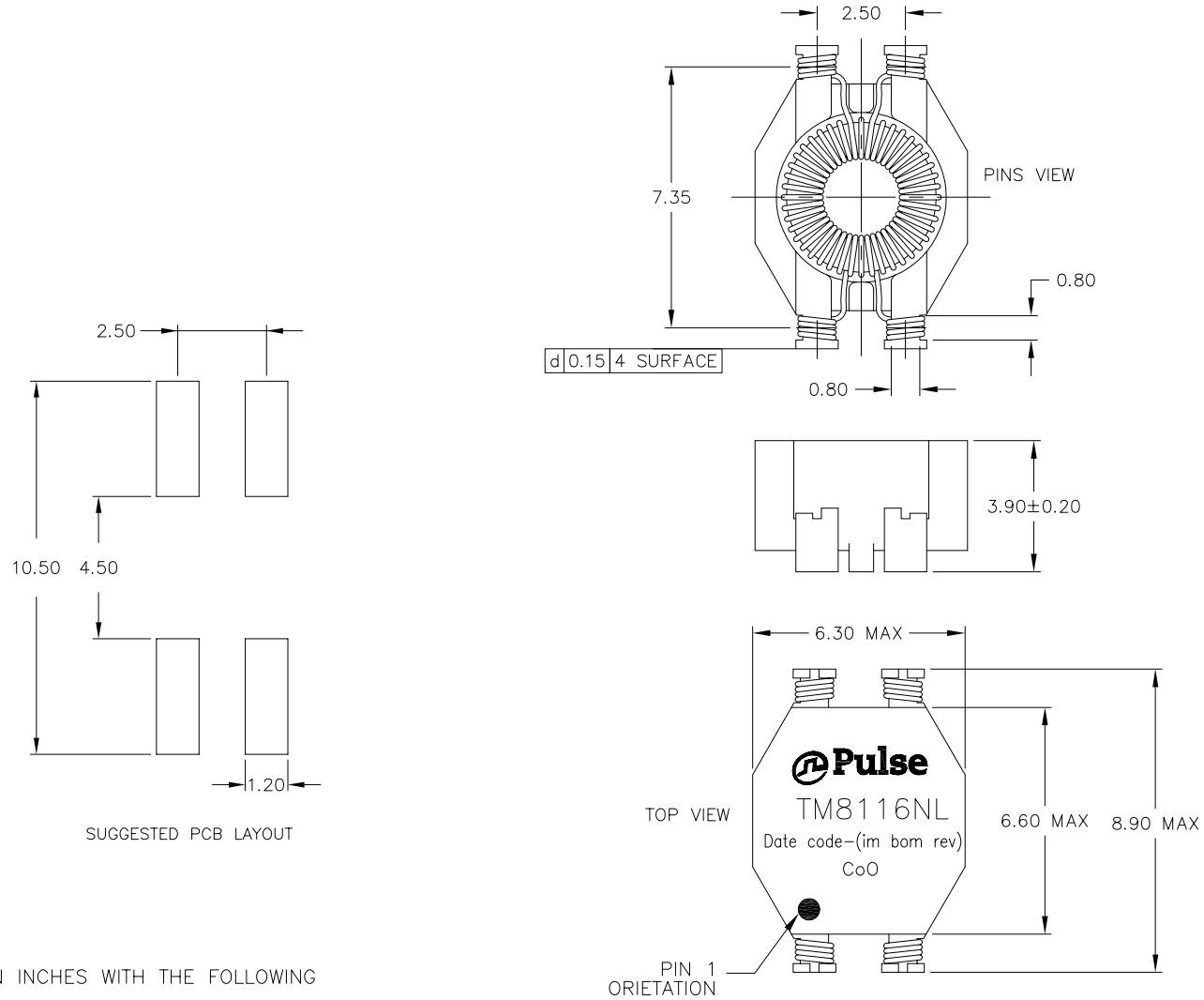


SCHEMATIC

PARAMETER	SPECIFICATIONS				
OPERATING TEMPERATURE	-40°C TO +125°C				
POLARITY	PER SCHEMATIC				
URNS RATIO @ 10 KHZ, 0.1 VRMS	$\frac{(1^*-4)}{(2^*-3)} = 1.0 \pm 2\%$				
INDUCTANCE (OCL) @ 100 KHZ, 0.1 VRMS	$(1^*-4) = 0.47 \text{ mH } \begin{matrix} +50\% \\ -30\% \end{matrix}$				
LEAKAGE INDUCTANCE @ 100 KHZ, 0.1 VRMS	(1^*-4) WITH (2^*-3) SHORTED = 0.20 μH NOMINAL = 0.40 μH MAXIMUM				
DC RESISTANCE	$(1^*-4) = (2^*-3) = 0.3 \text{ OHMS MAXIMUM.}$				
COMMON MODE IMPEDANCE	0.1 MHz	1 MHz	6 MHz	10 MHz	100 MHz
	450 OHMS	2900 OHMS	6100 OHMS	5400 OHMS	800 OHMS
HIPOT	500 VAC FOR 1 MINUTE				

© Copyright, 2016. Pulse Electronics Corp. All rights reserved. Pulse confidential & proprietary. (02/19/16)

PRODUCT DESCRIPTION	TLA DRAWING	PS DRAWING	SHEET	PART NO.	DATASHEET REV.
CMI 2 x 0.470 mH – SHASTA	TM8116NL-10	–	2 OF 3	TM8116NL	A



DIMENSIONS ARE IN INCHES WITH THE FOLLOWING TOLERANCES:
 .XX= ±.01
 .XXX= ±.005

© Copyright, 2016. Pulse Electronics Corp. All rights reserved. Pulse confidential & proprietary. (02/19/16)

PRODUCT DESCRIPTION	TLA DRAWING	PS DRAWING	SHEET	PART NO.	DATASHEET REV.
CMI 2 x 0.470 mH – SHASTA	TM8116NL-10	–	3 OF 3	TM8116NL	A