



800 E. Northwest Highway Des Plaines, IL 60016

Product/Process Change Notice (PCN)

PCN#: LFPCN#41278 **Date:** Aug 25th, 2017

Product Identification:

Glow Wire Compliance Upgrade

Implementation Date for Change:

Will be rolled-out starting Oct 17th and last until approx. Nov 24th, depending on stock

Contact Information

Name: Ben Zheng

Title: Global Product Manager

Phone #:

Fax#:

E-mail: bzheng@littelfuse.com

Category of Change:

- Assembly Process
- Data Sheet
- Technology
- Discontinuance/Obsolescence
- Equipment
- Manufacturing Site
- Raw Material
- Testing
- Fabrication Process
- Other: _____

Description of Change:

There are changes in form and function, in order to be compliant with the updated standard IEC 60127-6; but the fit will remain the same.

Important Dates:

- Qualification Samples Available: 10/24/2017 Last Time Buy:
- Final Qualification Data Available: Upon request
- Date of Final Product Shipment: Once the stock is depleted

Method of Distinguishing Changed Product

- Product Mark,
- Date Code,
- Other, datacode

Demonstrated or Anticipated Impact on Form, Fit, Function or Reliability:

Please see the PCN letter for details.

LF Qualification Plan/Results:

Upon Request

Customer Acknowledgement of Receipt: Littelfuse requests you acknowledge receipt of this PCN. In your acknowledgement, you can grant approval or request additional information. Littelfuse will assume the change is acceptable if no acknowledgement is received within 30 days of this notice. Lack of any additional response within 90 days of PCN issuance further constitutes acceptance of the change.



Expertise Applied | Answers Delivered

8755 W. Higgins Road
Suite 500
Chicago, IL 60631

www.littelfuse.com

Aug 25th, 2017

To: Valued Customer

From: Littelfuse Product Management

Subject: LFPCN # 41278 – Glow Wire Compliance Upgrade for Holders and Blocks

Littelfuse Product Management would like to inform you that we are upgrading the insulation materials for our fuse holders and blocks that have VDE certification, in order to meet the enhanced glow wire requirements according to the updated standard IEC 60127-6. The new materials will be red phosphor free and halogen free. Meanwhile, we are consolidating IEC certifications with VDE.

There are changes in form and function to be compliant with the updated standard IEC 60127-6, but the fit will remain the same. Please see the following charts for details, and the attached excel file for affected part numbers.


345 ISS Series Panel Mount

Changes	Drawings (illustrative)
Insulation material upgrade; Update markings on fuse holder; Logos update on the label for 3452 only;	


345 ISS Series PCB Mount

Insulation material upgrade for knob only.


815, 816, 830, 835 & 837 Series

Changes	Drawings (illustrative)
<p>Insulation material upgrade;</p> <p>Logos update on the label;</p>	


800 & 813 Series

Changes	Drawings (illustrative)
<p>Insulation material upgrade;</p> <p>Update certification markings on fuse holder;</p> <p>Logos update on the label;</p>	

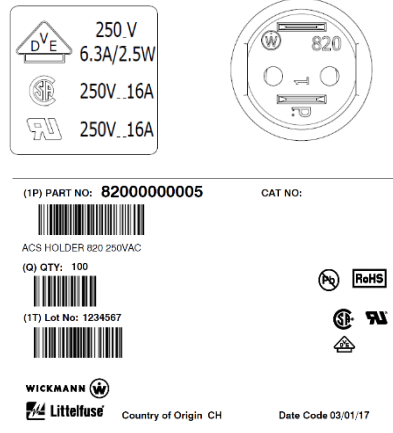
814 Series

Changes	Drawings (illustrative)
<p>Insulation material upgrade;</p> <p>Update certification markings on fuse holder;</p> <p>Logos update on the label;</p> <p>Improve the contact by changing terminal from round to oval shape;</p>	


803, 810, 811 & 831 Series

Changes	Drawings (illustrative)
<p>Insulation material upgrade;</p> <p>Update certification markings on fuse holder;</p> <p>Logos update on the label;</p>	

820, 821, 823 & 824 Series

Changes	Drawings (illustrative)
<p>Insulation material upgrade;</p> <p>Update certification markings on fuse holder;</p> <p>Logos update on the label;</p>	

834 Series

Changes	Drawings (illustrative)
<p>Insulation material upgrade;</p> <p>Update certification markings on fuse holder;</p> <p>Logos update on the label;</p> <p>Improve the contact by changing terminal from round to oval shape;</p>	

520 Series

Changes	Drawings (illustrative)
Logos update on the label;	<p>(1P) PART NO: 052000003Z</p> <p>(Q) QTY: 1000</p> <p>(1T) LOT NO: 7H18M1001803</p> <p>ACS INTL SHOCK SAFE ZAGR/BEHLDR CAT NO: 346248</p> <p>RoHS</p> <p>UL</p> <p>Littelfuse MADE IN MEXICO</p> <p>DATE CODE: 081617</p>

576 Series

Changes	Drawings (illustrative)
Insulation material upgrade; Logos update on the label;	<p>(1P) PART NO: 57600000001</p> <p>(Q) QTY: 100</p> <p>(1T) LOT NO: 987654321987</p> <p>ACS HOLDER 576 250V CAT NO</p> <p>RoHS</p> <p>CE</p> <p>VDE</p> <p>LITTELFUSE INC. COUNTRY OF ORIGIN XXXXXXXXX</p> <p>DATE CODE: 03/02/02 (MM/DD/YY)</p>

Please contact your local Littelfuse Sales Office, should you need further assistance.

Best regards,
Ben Zheng
 Global Product Manager
 Suzhou Littelfuse OVS Ltd.