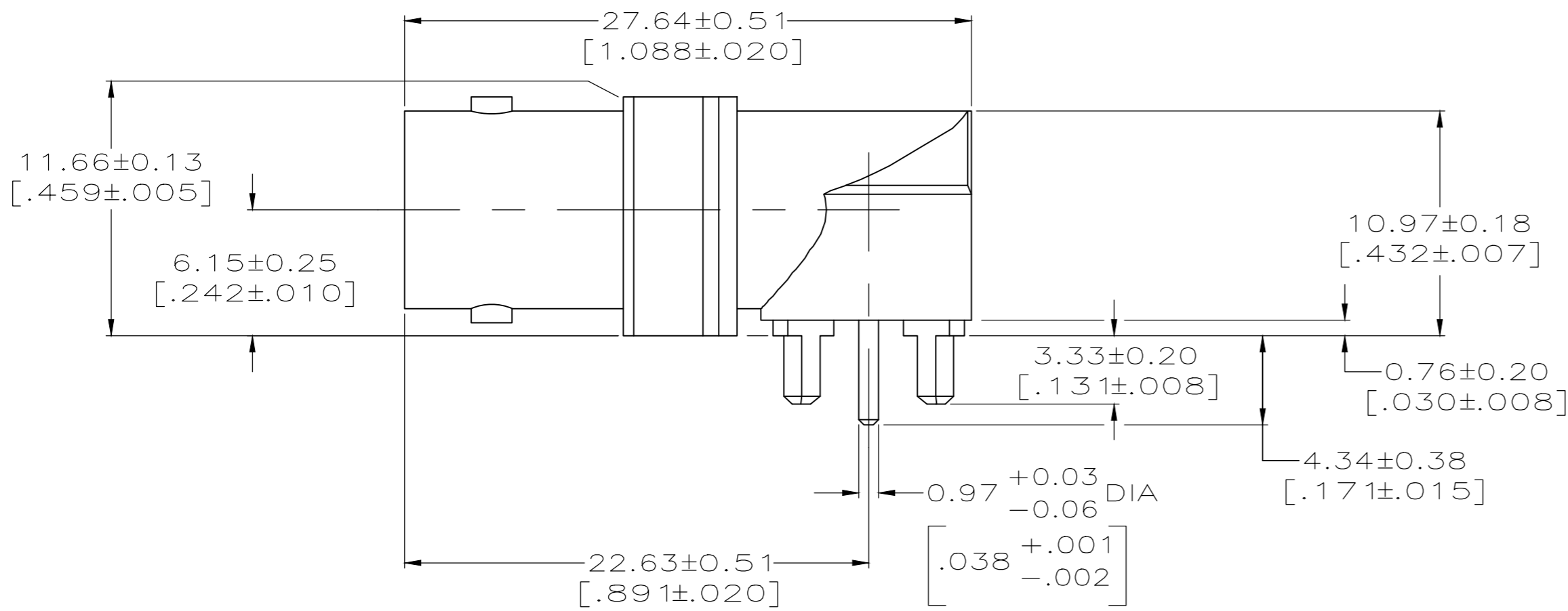
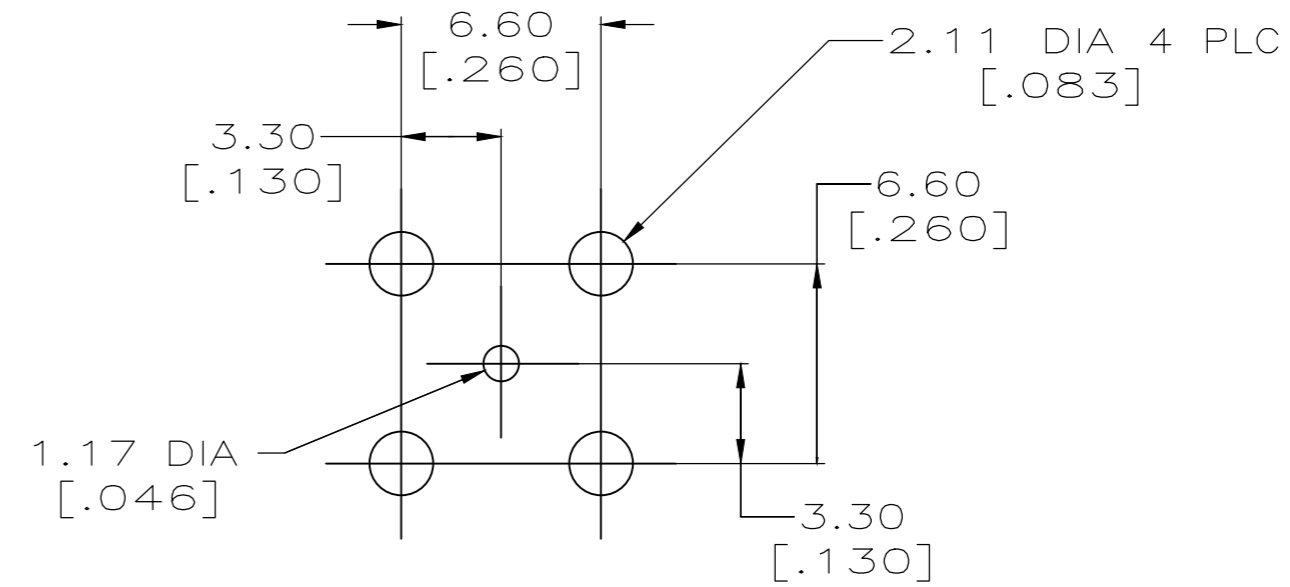
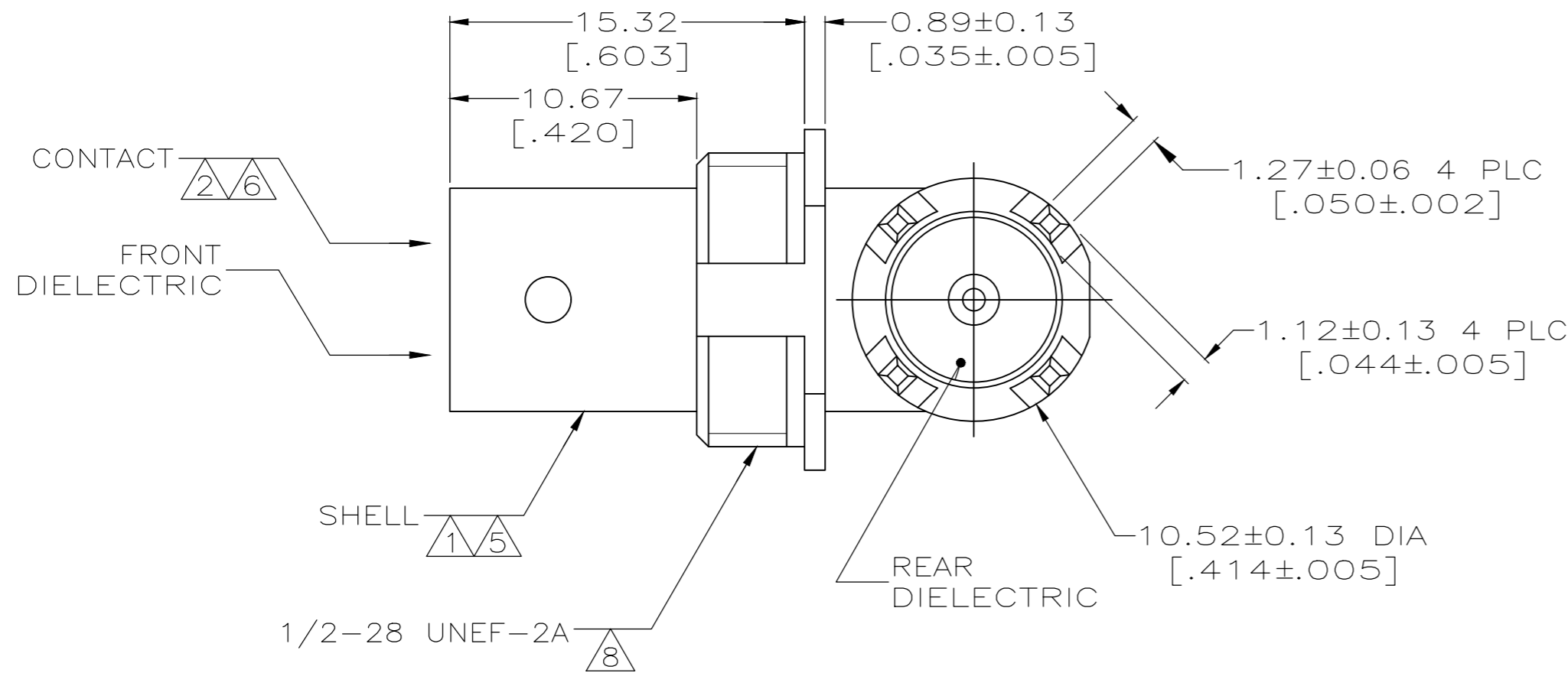


THIS DRAWING IS UNPUBLISHED. RELEASED FOR PUBLICATION
 © COPYRIGHT - By - ALL RIGHTS RESERVED.

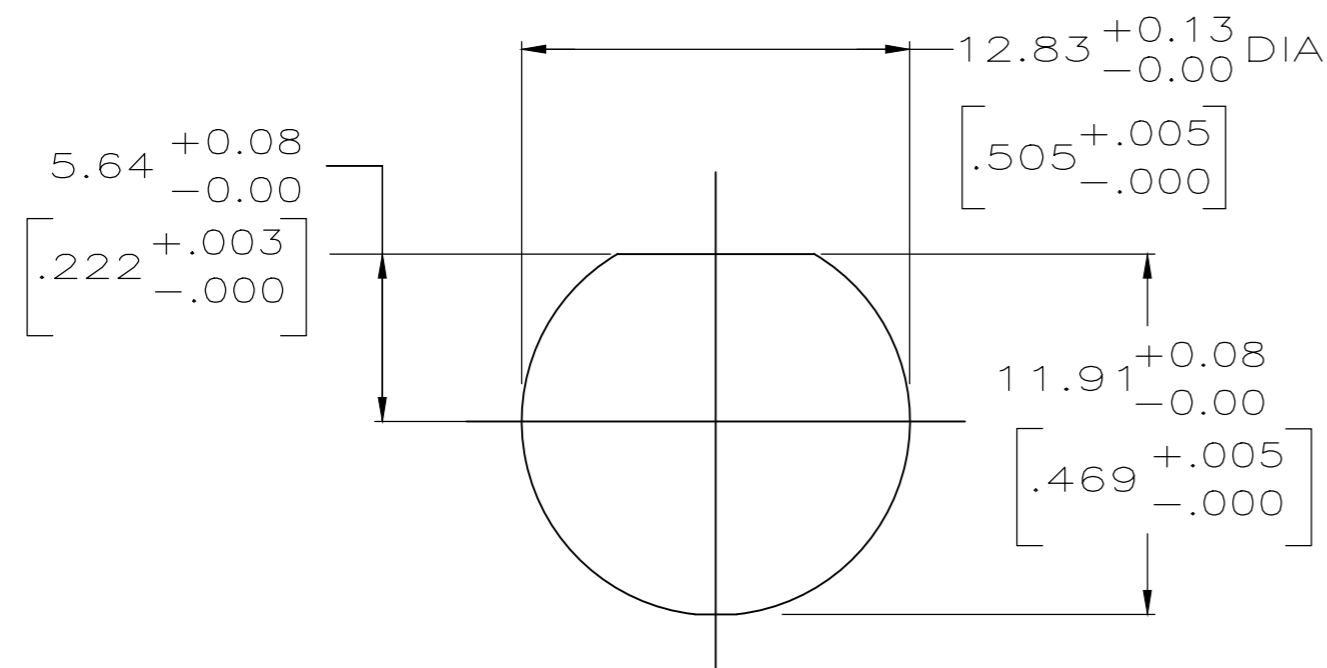
REVISIONS				
P	LTR	DESCRIPTION	DATE	APVD
A2		REVISED PER ECR-15-018489	19JAN2020	RZ RS



- ① ZINC PER QQ-Z-363.
- ② PHOSPHOR BRONZE PER QQ-B-750.
- ③ PTFE PER MIL-P-19468.
- ④ POLYMETHYLPENTENE, GENERAL PURPOSE
- ⑤ TIN PLATE PER ASTM-B-545, 3.81µm [.000150] MINIMUM THICK OVER
- ⑥ GOLD PLATE PER MIL-G-45204, 0.20µm [.000008] MINIMUM THICK.
- ⑦ INTERFACE PER MIL-C-39012
- ⑧ MODIFIED MAJOR DIAMETER TO 12.29 [.484]



PCB CONFIGURATION



RECOMMENDED PANEL CUTOUT

③	③	5415025-2
③	④	5415025-1
REAR	FRONT	PART NUMBER
DIELECTRIC MATERIAL		

THIS DRAWING IS A CONTROLLED DOCUMENT.		DWN G. ATTADIA - 01FEB2005	TE Connectivity	
DIMENSIONS: mm [INCHES]		CHK J. HAVENER 01FEB2005	NAME JACK, RIGHT ANGLE, 50 OHM, PCB, BNC	
TOLERANCES UNLESS OTHERWISE SPECIFIED:		APVD J. LIPPERT 01FEB2005	PRODUCT SPEC 108-12078	
0 PLC ± -		APPLICATION SPEC		
1 PLC ± -		WEIGHT 0.000000		
2 PLC ± 0.08 [.003]		SIZE A2		
3 PLC ± -		CAGE CODE 00779		
4 PLC ± -		DRAWING NO 5415025		
ANGLES ± -		RESTRICTED TO		
FINISH		SCALE 4:1		
SEE NOTES 1-4		SHEET 1 of 1		
SEE NOTES 5, 6		REV A2		
CUSTOMER DRAWING				