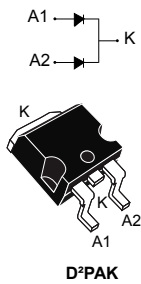



Automotive 150 V, 2 x 20 A high voltage power Schottky rectifier



Features

- AEC-Q101 qualified revision C 
- PPAP capable
- High junction temperature capability
- Low leakage current
- Low thermal resistance
- High frequency operation
- ECOPACK^{®2} compliant

Applications

- Switching mode power supply
- Automotive DC/DC converter

Description

Dual center tab Schottky rectifier suited for high frequency switched mode power supplies.

Product status links

[STPS40150C-Y](#)

Product summary

$I_{F(AV)}$	2 x 20 A
V_{RRM}	150 V
$T_{j(max.)}$	175 °C
$V_F(typ.)$	0.69 V

1 Characteristics

Table 1. Absolute ratings (limiting values, per diode at 25 °C, unless otherwise specified)

Symbol	Parameter		Value	Unit	
V _{RRM}	Repetitive peak reverse voltage	T _j from -40 °C to 175 °C	150	V	
I _{F(RMS)}	Forward rms current		60	A	
I _{F(AV)}	Average forward current, δ = 0.5, square wave	T _C = 150 °C	Per diode	20	A
		T _C = 145 °C	Per device	40	
I _{FSM}	Surge non repetitive forward current	t _p = 10 ms sinusoidal	250	A	
P _{ARM}	Repetitive peak avalanche power	t _p = 10 μs, T _j = 125 °C	1080	W	
T _{stg}	Storage temperature range		-65 to +175	°C	
T _j	Operating junction temperature ⁽¹⁾		-40 to +175	°C	

1. (dP_{tot}/dT_j) < (1/R_{th(j-a)}) condition to avoid thermal runaway for a diode on its own heatsink.

Table 2. Thermal parameters

Symbol	Parameter		Value	Unit
			Max.	
R _{th(j-c)}	Junction to case	Per diode	1.2	°C/W
		Total	0.85	
R _{th(c)}	Coupling		0.5	°C/W

When the diodes 1 and 2 are used simultaneously:

$$\Delta T_j (\text{diode1}) = P_{(\text{diode1})} \times R_{\text{th(j-c)}} (\text{per diode}) + P_{(\text{diode2})} \times R_{\text{th(c)}}$$

Table 3. Static electrical characteristics (per diode)

Symbol	Parameter	Test conditions		Min.	Typ.	Max.	Unit
I _R	Reverse leakage current	T _j = 25 °C	V _R = V _{RRM}	-		15	μA
		T _j = 125 °C		-	4	17	mA
V _F	Forward voltage drop	T _j = 25 °C	I _F = 20 A	-		0.92	V
		T _j = 125 °C		-	0.69	0.75	
		T _j = 25 °C	I _F = 40 A	-		1.00	
		T _j = 125 °C		-	0.79	0.86	

1. Pulse test: t_p = 5 ms, δ < 2%

2. Pulse test: t_p = 380 μs, δ < 2%

To evaluate the conduction losses, use the following equation:

$$P = 0.64 \times I_{F(AV)} + 0.0055 \times I_F^2 (\text{RMS})$$

1.1 Characteristics (curves)

Figure 1. Average forward power dissipation versus average forward current (per diode)

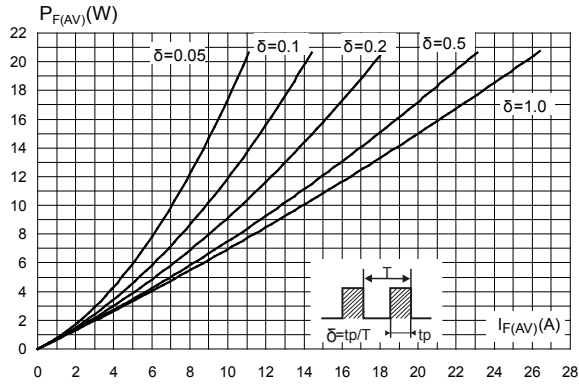


Figure 2. Average forward current versus ambient temperature ($\delta = 0.5$, per diode)

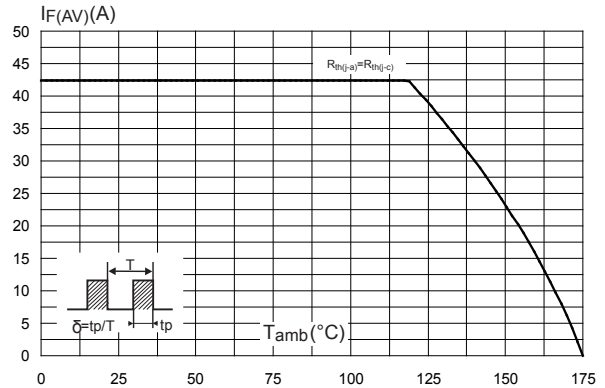


Figure 3. Relative variation of thermal impedance junction to case versus pulse duration

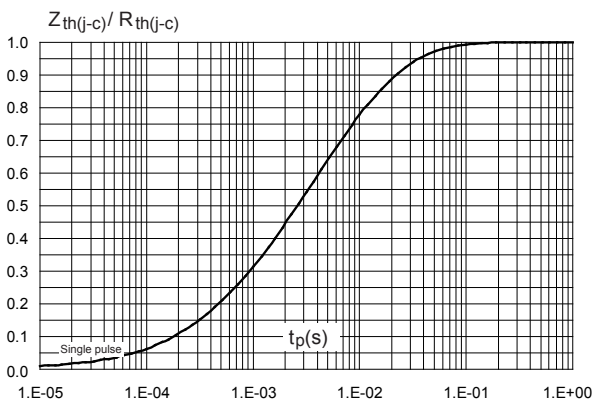


Figure 4. Reverse leakage current versus reverse voltage applied (typical values, per diode)

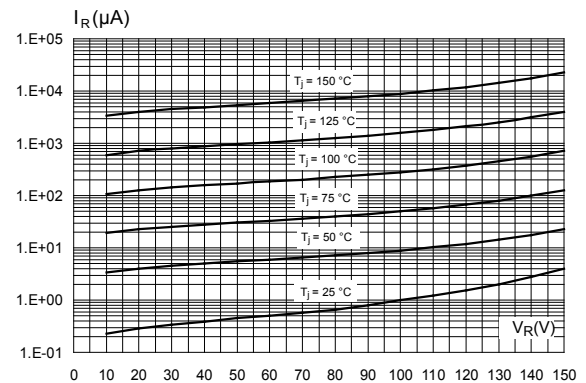


Figure 5. Junction capacitance versus reverse voltage applied (typical values, per diode)

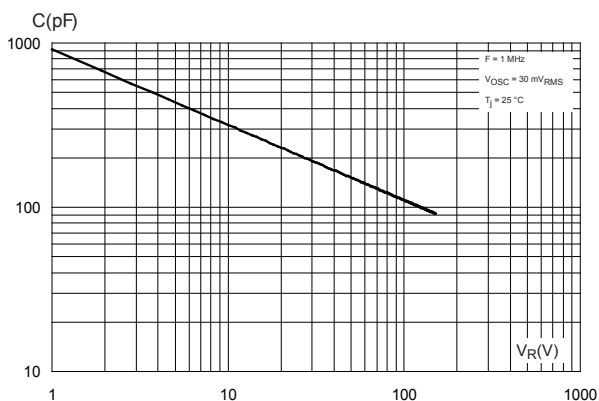


Figure 6. Forward voltage drop versus forward current (typical values, per diode)

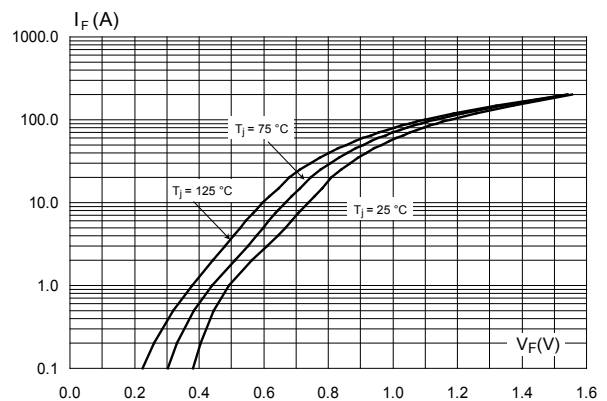


Figure 7. Thermal resistance junction to ambient versus copper surface under tab (typical values, epoxy printed board FR4, $e_{Cu} = 35 \mu m$)

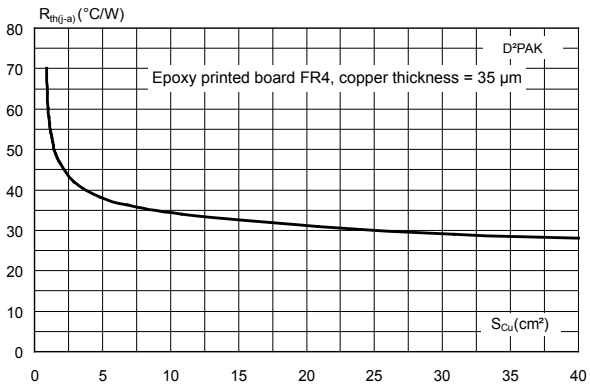
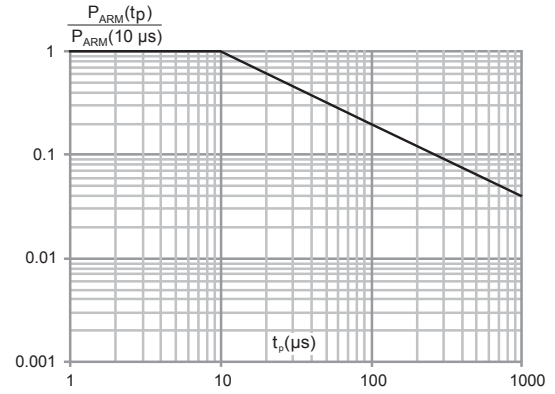


Figure 8. Normalized avalanche power derating versus pulse duration ($T_j = 125 \text{ }^{\circ}C$)



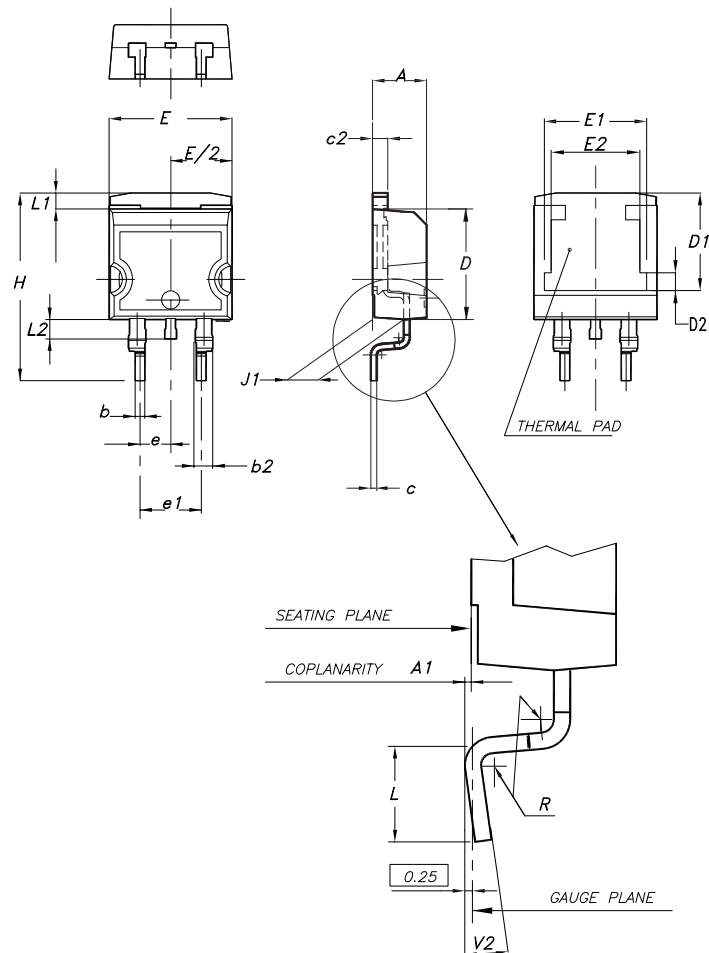
2 Package information

In order to meet environmental requirements, ST offers these devices in different grades of ECOPACK[®] packages, depending on their level of environmental compliance. ECOPACK[®] specifications, grade definitions and product status are available at: www.st.com. ECOPACK[®] is an ST trademark.

2.1 D²PAK package information

- Epoxy meets UL94, V0.
- Cooling method: by conduction (C)

Figure 9. D²PAK package outline

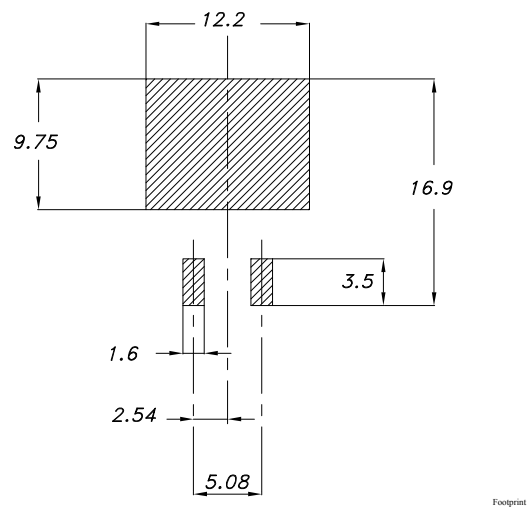


Note: This package drawing may slightly differ from the physical package. However, all the specified dimensions are guaranteed.

Table 4. D²PAK package mechanical data

Ref.	Dimensions					
	Millimeters			Inches (for reference only)		
	Min.	Typ.	Max.	Min.	Typ.	Max.
A	4.40		4.60	0.173		0.181
A1	0.03		0.23	0.001		0.009
b	0.70		0.93	0.028		0.037
b2	1.14		1.70	0.045		0.067
c	0.45		0.60	0.018		0.024
c2	1.23		1.36	0.048		0.053
D	8.95		9.35	0.352		0.368
D1	7.50	7.75	8.00	0.295	0.305	0.315
D2	1.10	1.30	1.50	0.043	0.051	0.060
E	10.00		10.40	0.394		0.409
E1	8.30	8.50	8.70	0.335	0.343	0.346
E2	6.85	7.05	7.25	0.266	0.278	0.282
e		2.54			0.100	
e1	4.88		5.28	0.190		0.205
H	15.00		15.85	0.591		0.624
J1	2.49		2.69	0.097		0.106
L	2.29		2.79	0.090		0.110
L1	1.27		1.40	0.049		0.055
L2	1.30		1.75	0.050		0.069
R		0.40			0.015	
V2	0°		8°	0°		8°

Figure 10. D²PAK recommended footprint (dimensions are in mm)



3 Ordering information

Table 5. Order code

Order code	Marking	Package	Weight	Base qty.	Delivery mode
STPS40150CGY-TR	STPS40150CGY	D ² PAK	1.48 G	1000	Tape and reel

Revision history

Table 6. Document revision history

Date	Revision	Changes
12-Mar-2018	1	First issue.
07-Dec-2018	2	Added Figure 8 . Updated Table 1 .
12-Dec-2018	3	Updated Table 3 .

IMPORTANT NOTICE – PLEASE READ CAREFULLY

STMicroelectronics NV and its subsidiaries (“ST”) reserve the right to make changes, corrections, enhancements, modifications, and improvements to ST products and/or to this document at any time without notice. Purchasers should obtain the latest relevant information on ST products before placing orders. ST products are sold pursuant to ST’s terms and conditions of sale in place at the time of order acknowledgement.

Purchasers are solely responsible for the choice, selection, and use of ST products and ST assumes no liability for application assistance or the design of Purchasers’ products.

No license, express or implied, to any intellectual property right is granted by ST herein.

Resale of ST products with provisions different from the information set forth herein shall void any warranty granted by ST for such product.

ST and the ST logo are trademarks of ST. All other product or service names are the property of their respective owners.

Information in this document supersedes and replaces information previously supplied in any prior versions of this document.

© 2018 STMicroelectronics – All rights reserved