

# 3V to 28V Input, Low-Cost, Hysteretic Synchronous Step-Down Controllers

## General Description

The MAX8576–MAX8579 synchronous PWM buck controllers use a hysteretic voltage-mode control algorithm to achieve a fast transient response without requiring loop compensation. The MAX8576/MAX8577 contain an internal LDO regulator allowing the controllers to function from only one 3V to 28V input supply. The MAX8578/MAX8579 do not contain the internal LDO and require a separate supply to power the IC when the input supply is higher than 5.5V. The MAX8576–MAX8579 output voltages are adjustable from 0.6V to  $0.9 \times V_{IN}$  at loads up to 15A.

Nominal switching frequency is programmable over the 200kHz to 500kHz range. High-side MOSFET sensing is used for adjustable hiccup current-limit and short-circuit protection. The MAX8576/MAX8578 can start up into a precharged output without pulling the output voltage down. The MAX8577/MAX8579 have startup output overvoltage protection (OVP), and will pull down a precharged output.

## Applications

Motherboard Power Supplies  
AGP and PCI-Express Power Supplies  
Graphic-Card Power Supplies  
Set-Top Boxes  
Point-of-Load Power Supplies

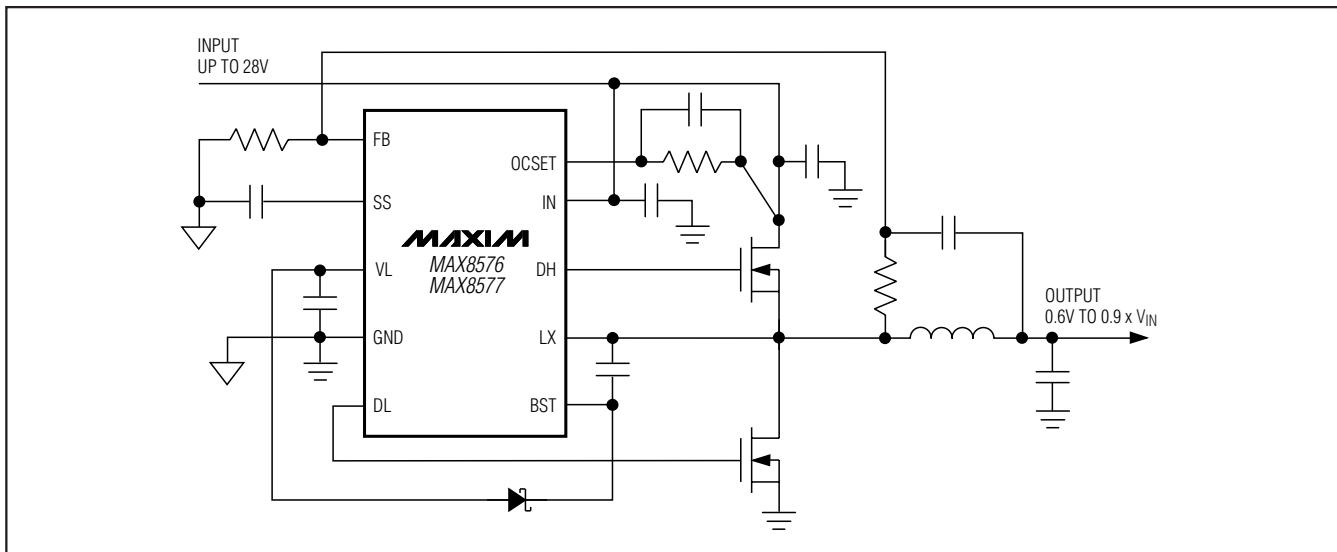
## Features

- ◆ 3V to 28V Supply Voltage Range
- ◆ 1.2% Accurate Over Temperature
- ◆ Adjustable Output Voltage Down to 0.6V
- ◆ 200kHz to 500kHz Switching Frequency
- ◆ Adjustable Temperature-Compensated Hiccup Current Limit
- ◆ Lossless Peak Current Sensing
- ◆ Monotonic Startup into Prebias Output (MAX8576/MAX8578)
- ◆ Startup Overvoltage Protection (MAX8577/MAX8579)
- ◆ Enable/Shutdown
- ◆ Adjustable Soft-Start

## Ordering Information

| PART       | TEMP RANGE     | PIN-PACKAGE               |
|------------|----------------|---------------------------|
| MAX8576EUB | -40°C to +85°C | 10 $\mu$ MAX <sup>®</sup> |
| MAX8577EUB | -40°C to +85°C | 10 $\mu$ MAX              |
| MAX8578EUB | -40°C to +85°C | 10 $\mu$ MAX              |
| MAX8579EUB | -40°C to +85°C | 10 $\mu$ MAX              |

## Typical Operating Circuit



$\mu$ MAX is a registered trademark of Maxim Integrated Products, Inc.

Pin Configurations appear at end of data sheet.

# 3V to 28V Input, Low-Cost, Hysteretic Synchronous Step-Down Controllers

## ABSOLUTE MAXIMUM RATINGS

|  |   |
|--|---|
| IN to GND (MAX8576/MAX8577)              | -0.3V to +30V                           |
| VL to GND (MAX8576/MAX8577)              | -0.3V to +6V                            |
| IN to VL (MAX8576/MAX8577)               | -0.3V to +30V                           |
| V <sub>CC</sub> to GND (MAX8578/MAX8579) | -0.3V to +6V                            |
| SS to GND (MAX8576/MAX8577)              | -0.3V to (V <sub>VL</sub> + 0.3)V       |
| SS to GND (MAX8578/MAX8579)              | -0.3V to (V <sub>CC</sub> + 0.3)V       |
| DL to GND (MAX8576/MAX8577)              | -0.3V to (V <sub>VL</sub> + 0.3)V       |
| DL to GND (MAX8578/MAX8579)              | -0.3V to (V <sub>CC</sub> + 0.3)V       |
| BST to GND                               | -0.3V to +36V                           |
| BST to LX                                | -0.3V to +6V                            |
| LX to GND                                | -1V (-2.5V for <50ns Transient) to +30V |
| DH to LX                                 | -0.3V to +(V <sub>BST</sub> + 0.3)V     |
| FB to GND                                | -0.3V to +6V                            |

|   |                                   |
|---|-----------------------------------|
| EN to GND (MAX8578/MAX8679EUB)                        | -0.3V to +6V                      |
| OCSET to GND (MAX8576/MAX8677)                        | -0.3V to (V <sub>IN</sub> + 0.3)V |
| OCSET to GND (MAX8578/MAX8679)                        | -0.3V to +30V                     |
| OCSET to LX (MAX8576/MAX8677)                         | -0.6V to (V <sub>IN</sub> + 0.3)V |
| OCSET to LX (MAX8578/MAX8679)                         | -0.6V to +30V                     |
| DH and DL Continuous Current                          | ±250mA RMS                        |
| Continuous Power Dissipation (T <sub>A</sub> = +70°C) |                                   |
| 10-Pin μMAX (derate 5.6mW/°C above +70°C)             | 444mW                             |
| Operating Temperature Range                           | -40°C to +85°C                    |
| Junction Temperature                                  | +150°C                            |
| Storage Temperature Range                             | -65°C to +150°C                   |
| Lead Temperature (soldering, 10s)                     | +300°C                            |

Stresses beyond those listed under "Absolute Maximum Ratings" may cause permanent damage to the device. These are stress ratings only, and functional operation of the device at these or any other conditions beyond those indicated in the operational sections of the specifications is not implied. Exposure to absolute maximum rating conditions for extended periods may affect device reliability.

## ELECTRICAL CHARACTERISTICS

(V<sub>IN</sub> = 12V (MAX8576/MAX8577 only), 4.7μF capacitor from VL (MAX8576/MAX8577 only) or V<sub>CC</sub> (MAX8578/MAX8579 only) to GND; V<sub>CC</sub> = V<sub>EN</sub> = 5V (MAX8578/MAX8579 only); 0.01μF capacitor from SS to GND; V<sub>FB</sub> = 0.65V; V<sub>BST</sub> = 5V; V<sub>LX</sub> = V<sub>GND</sub> = 0V; V<sub>OCSET</sub> = 11.5V; DH = unconnected; DL = unconnected; T<sub>A</sub> = 0°C to +85°C, unless otherwise noted. Typical values are at T<sub>A</sub> = +25°C.)

| PARAMETER   | CONDITIONS  | MIN                                      | TYP  | MAX   | UNITS |
|---|---|--|------|-------|-------|
| <b>SUPPLY VOLTAGES</b>                            |   |  |      |       |       |
| IN Supply Voltage                                 | MAX8576/MAX8577   | 5.5                                      |      | 28.0  | V     |
|   | IN = VL (MAX8576/MAX8577)   | 3.0                                      |      | 5.5   |       |
| V <sub>CC</sub> Input Voltage                     | MAX8576/MAX8577   | 3.0                                      |      | 5.5   | V     |
| VL Output Voltage                                 | I <sub>VL</sub> = 10mA (MAX8576/MAX8577)  | 4.75                                     | 5.0  | 5.25  | V     |
| VL Maximum Output Current                         | MAX8576/MAX8577   | 20                                       |      |       | mA    |
| VL or V <sub>CC</sub> Undervoltage Lockout (UVLO) | Rising  | 2.75                                     | 2.8  | 2.90  | V     |
|   | Falling   | 2.4                                      | 2.45 | 2.5   |       |
|   | Hysteresis  |  | 350  |       | mV    |
| Supply Current                                    | No switching, V <sub>FB</sub> = 0.65V (MAX8576/MAX8577)                         | V <sub>IN</sub> = 12V                    | 0.6  | 2     | mA    |
|   |   | V <sub>IN</sub> = V <sub>VL</sub> = 5V   | 1.1  | 3     |       |
|   |   | V <sub>IN</sub> = V <sub>VL</sub> = 3.3V | 0.6  | 2     |       |
|   | V <sub>EN</sub> = 0V or V <sub>FB</sub> = 0.65V, no switching (MAX8578/MAX8579) | V <sub>CC</sub> = 5V                     | 0.6  | 2     |       |
|   |   | V <sub>CC</sub> = 3.3V                   | 0.6  | 2     |       |
| <b>REGULATOR</b>                                  |   |  |      |       |       |
| Output Regulation Accuracy                        | V <sub>FB</sub> peak  | 0.593                                    | 0.6  | 0.607 | V     |
| Output Regulation Hysteresis                      | (Note 1)  | 12.5                                     | 20   | 28.0  | mV    |
| FB Propagation Delay                              | FB falling to DL falling  |  | 50   |       | ns    |
|   | FB rising to DH falling   |  | 70   |       |       |
| Overvoltage-Protection (OVP) Threshold            |   | 0.70                                     | 0.75 | 0.80  | V     |
| High-Side Current-Sense Program Current (Note 2)  | T <sub>A</sub> = +85°C  |  | 60   |       | μA    |
|   | T <sub>A</sub> = +25°C  | 42.5                                     | 50   | 57.5  |       |

# 3V to 28V Input, Low-Cost, Hysteretic Synchronous Step-Down Controllers

MAX8576-MAX8579

## ELECTRICAL CHARACTERISTICS (continued)

( $V_{IN} = 12V$  (MAX8576/MAX8577 only),  $4.7\mu F$  capacitor from VL (MAX8576/MAX8577 only) or  $V_{CC}$  (MAX8578/MAX8579 only) to GND;  $V_{CC} = V_{EN} = 5V$  (MAX8578/MAX8579 only);  $0.01\mu F$  capacitor from SS to GND;  $V_{FB} = 0.65V$ ;  $V_{BST} = 5V$ ;  $V_{LX} = V_{GND} = 0V$ ;  $V_{OCSET} = 11.5V$ ; DH = unconnected; DL = unconnected;  $T_A = 0^\circ C$  to  $+85^\circ C$ , unless otherwise noted. Typical values are at  $T_A = +25^\circ C$ .)

| PARAMETER   | CONDITIONS   | MIN  | TYP  | MAX  | UNITS      |
|---|--|------|------|------|------------|
| High-Side Current-Sense Overcurrent Trip Adjustment Range | $V_{IN} - V_{OCSET}$   | 0.05 |      | 0.40 | V          |
| Soft-Start Internal Resistance                            |  | 45   | 80   | 125  | k $\Omega$ |
| Fault Hiccup Internal SS Pulldown Current                 | $V_{LX} < V_{OCSET}$ and $V_{FB} < V_{SS}$                     |      | 250  |      | nA         |
| <b>DRIVER SPECIFICATIONS</b>                              |  |      |      |      |            |
| DH Driver Resistance                                      | Sourcing current   |      | 2.6  | 4.0  | $\Omega$   |
|   | Sinking current  |      | 1.9  | 3.0  |            |
| DL Driver Resistance                                      | Sourcing current   |      | 2.6  | 4.0  | $\Omega$   |
|   | Sinking current  |      | 1.1  | 2.0  |            |
| Dead Time   | DH low to DL high and DL low to DH high (adaptive)             |      | 40   |      | ns         |
| DH Minimum On-Time  |  |      | 140  | 245  | ns         |
| DL Minimum On-Time  | Normal operation   |      | 120  | 220  | ns         |
|   | Current fault  |      | 580  |      |            |
| BST Current   | $V_{BST} - V_{LX} = 5.5V$ , $V_{LX} = 28V$ , $V_{FB} < V_{SS}$ |      | 1.65 |      | mA         |
| <b>EN</b>   |  |      |      |      |            |
| Input Voltage Low   | $V_{CC} = 3V$ (MAX8578/MAX8579)                                |      |      | 0.7  | V          |
| Input Voltage High  | $V_{CC} = 5.5V$ (MAX8578/MAX8579)                              | 1.5  |      |      | V          |
| <b>THERMAL SHUTDOWN</b>                                   |  |      |      |      |            |
| Thermal Shutdown  | Rising temperature, hysteresis = $20^\circ C$ (typ)            |      | +160 |      | $^\circ C$ |

## ELECTRICAL CHARACTERISTICS

( $V_{IN} = 12V$  (MAX8576/MAX8577 only),  $4.7\mu F$  capacitor from VL (MAX8576/MAX8577 only) or  $V_{CC}$  (MAX8578/MAX8579 only) to GND;  $V_{CC} = V_{EN} = 5V$  (MAX8578/MAX8579 only);  $0.01\mu F$  capacitor from SS to GND;  $V_{FB} = 0.65V$ ;  $V_{BST} = 5V$ ;  $V_{LX} = V_{GND} = 0V$ ;  $V_{OCSET} = 11.5V$ ; DH = unconnected; DL = unconnected;  $T_A = -40^\circ C$  to  $+85^\circ C$ , unless otherwise noted. Note 3)

| PARAMETER                 | CONDITIONS                        | MIN  | TYP | MAX  | UNITS |
|---------------------------|-----------------------------------|------|-----|------|-------|
| <b>SUPPLY VOLTAGES</b>    |                                   |      |     |      |       |
| IN Supply Voltage         | MAX8576/MAX8577                   | 5.5  |     | 28.0 | V     |
|                           | IN = VL, MAX8576/MAX8577          | 3.0  |     | 5.5  |       |
| $V_{CC}$ Input Voltage    | MAX8576/MAX8577                   | 3.0  |     | 5.5  | V     |
| VL Output Voltage         | $I_{VL} = 10mA$ , MAX8576/MAX8577 | 4.75 |     | 5.25 | V     |
| VL Maximum Output Current | MAX8576/MAX8577                   | 20   |     |      | mA    |

# 3V to 28V Input, Low-Cost, Hysteretic Synchronous Step-Down Controllers

## ELECTRICAL CHARACTERISTICS (continued)

( $V_{IN} = 12V$  (MAX8576/MAX8577 only), 4.7 $\mu$ F capacitor from VL (MAX8576/MAX8577 only) or  $V_{CC}$  (MAX8578/MAX8579 only) to GND;  $V_{CC} = V_{EN} = 5V$  (MAX8578/MAX8579 only); 0.01 $\mu$ F capacitor from SS to GND;  $V_{FB} = 0.65V$ ;  $V_{BST} = 5V$ ;  $V_{LX} = V_{GND} = 0V$ ;  $V_{OCSET} = 11.5V$ ; DH = unconnected; DL = unconnected;  $T_A = -40^{\circ}C$  to  $+85^{\circ}C$ , unless otherwise noted. Note 3)

| PARAMETER  | CONDITIONS   | MIN                      | TYP | MAX   | UNITS    |
|--|--|--------------------------|-----|-------|----------|
| VL or $V_{CC}$ Undervoltage Lockout (UVLO)                 | Rising   | 2.75                     |     | 2.90  | V        |
|  | Falling  | 2.40                     |     | 2.55  |          |
| Supply Current   | No switching, $V_{FB} = 0.65V$ (MAX8576/MAX8577)                   | $V_{IN} = 12V$           |     | 2     | mA       |
|  |  | $V_{IN} = V_{VL} = 5V$   |     | 3.5   |          |
|  |  | $V_{IN} = V_{VL} = 3.3V$ |     | 2     |          |
|  | $V_{EN} = 0V$ or $V_{FB} = 0.65V$ , no switching (MAX8578/MAX8579) | $V_{CC} = 5V$            |     | 2     |          |
|  |  | $V_{CC} = 3.3V$          |     | 2     |          |
| <b>REGULATOR</b>   |  |                          |     |       |          |
| Output Regulation Accuracy                                 | $V_{FB}$ peak  | 0.591                    |     | 0.607 | V        |
| Overvoltage-Protection (OVP) Threshold                     |  | 0.70                     |     | 0.80  | V        |
| High-Side Current-Sense Over-Current Trip Adjustment Range | $V_{IN} - V_{OCSET}$   | 0.05                     |     | 0.40  | V        |
| <b>DRIVER SPECIFICATIONS</b>                               |  |                          |     |       |          |
| DH Driver Resistance                                       | Sourcing current   |                          |     | 4     | $\Omega$ |
|  | Sinking current  |                          |     | 3.0   |          |
| DL Driver Resistance                                       | Sourcing current   |                          |     | 4.0   | $\Omega$ |
|  | Sinking current  |                          |     | 2.0   |          |
| DH Minimum On-Time   |  |                          |     | 245   | ns       |
| DL Minimum On-Time   | Normal operation   |                          |     | 220   | ns       |
| <b>EN</b>  |  |                          |     |       |          |
| Input Voltage Low  | $V_{CC} = 3V$ , MAX8578/MAX8579                                    |                          |     | 0.7   | V        |
| Input Voltage High   | $V_{CC} = 5.5V$ , MAX8578/MAX8579                                  | 1.5                      |     |       | V        |

**Note 1:** Guaranteed by design.

**Note 2:** This current linearly compensates for the MOSFET temperature coefficient.

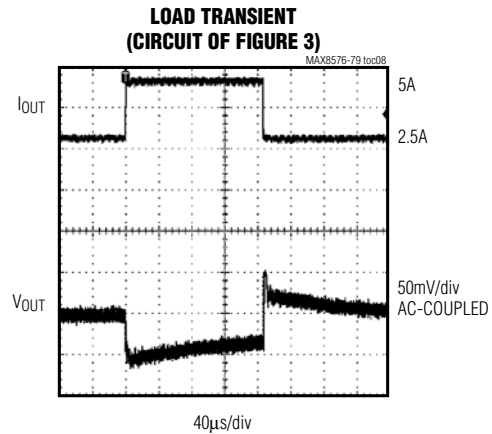
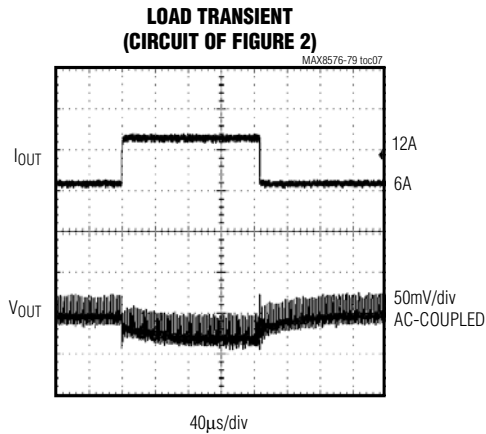
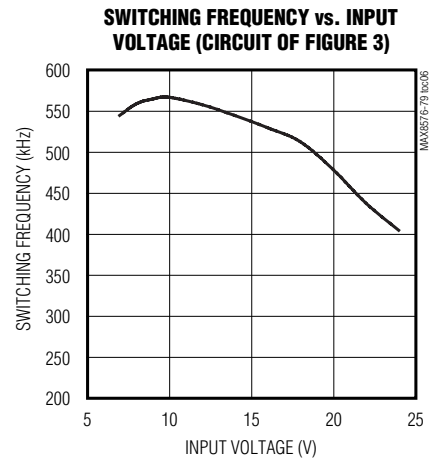
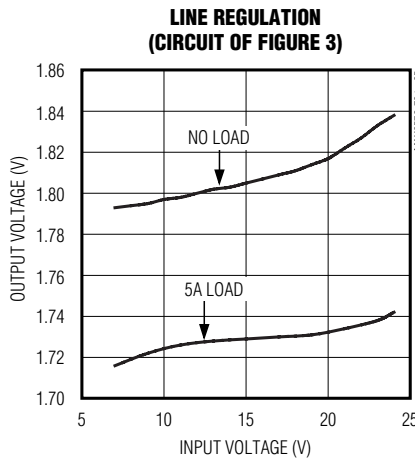
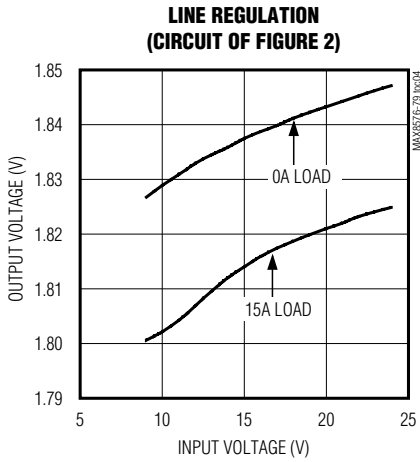
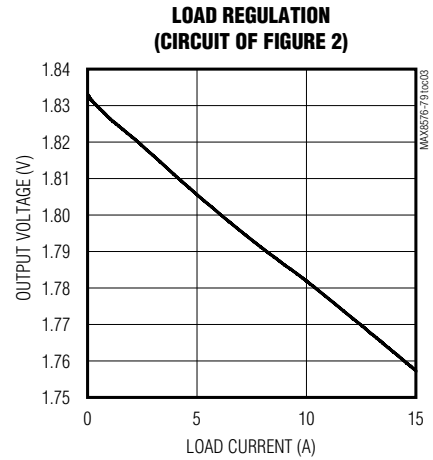
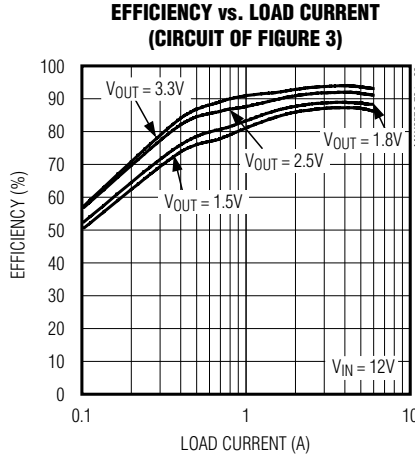
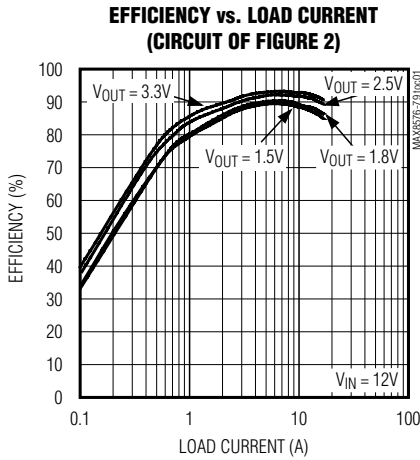
**Note 3:** Specifications to  $-40^{\circ}C$  are guaranteed by design and not production tested.

# 3V to 28V Input, Low-Cost, Hysteretic Synchronous Step-Down Controllers

## Typical Operating Characteristics

( $T_A = +25^\circ\text{C}$ , unless otherwise noted.)

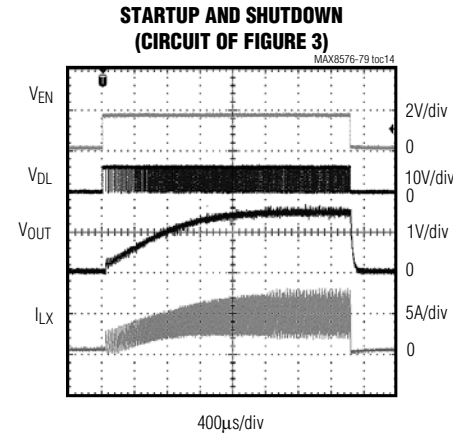
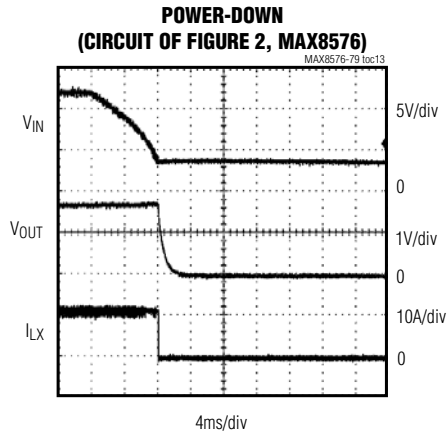
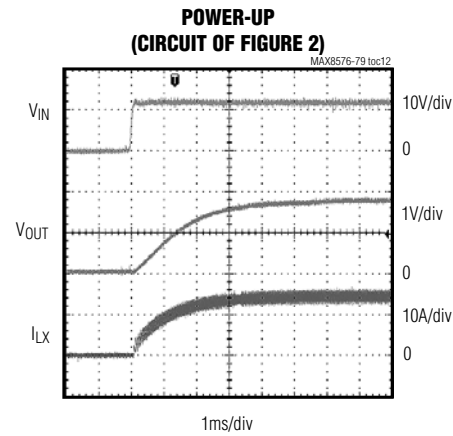
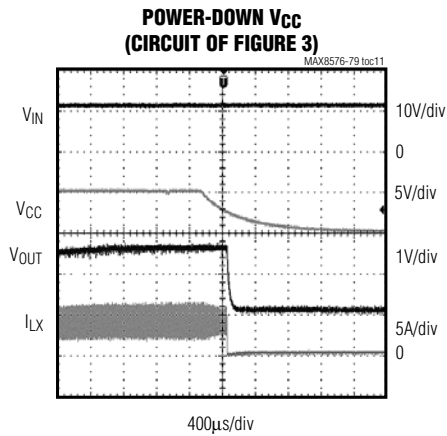
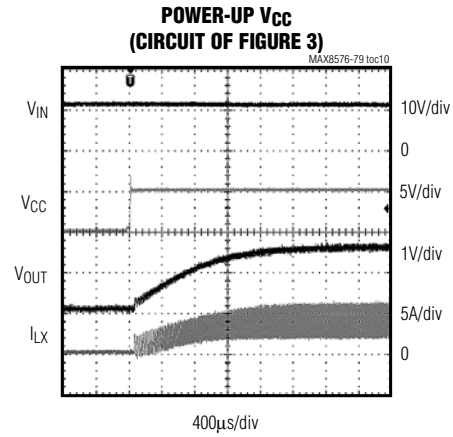
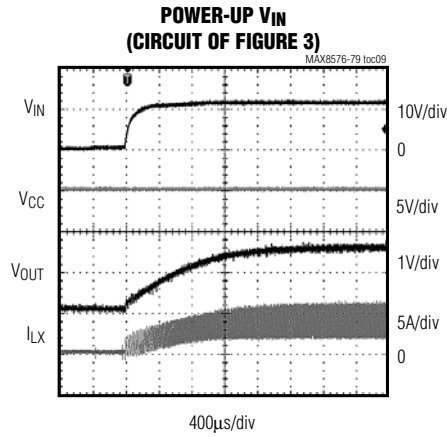
**MAX8576-MAX8579**



# 3V to 28V Input, Low-Cost, Hysteretic Synchronous Step-Down Controllers

## Typical Operating Characteristics (continued)

( $T_A = +25^\circ\text{C}$ , unless otherwise noted.)



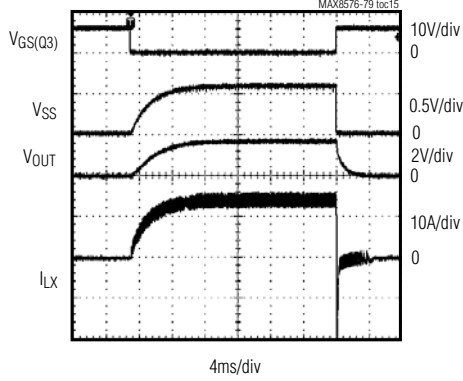
# 3V to 28V Input, Low-Cost, Hysteretic Synchronous Step-Down Controllers

MAX8576-MAX8579

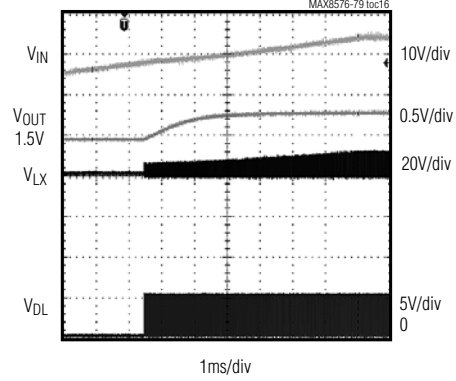
## Typical Operating Characteristics (continued)

( $T_A = +25^\circ\text{C}$ , unless otherwise noted.)

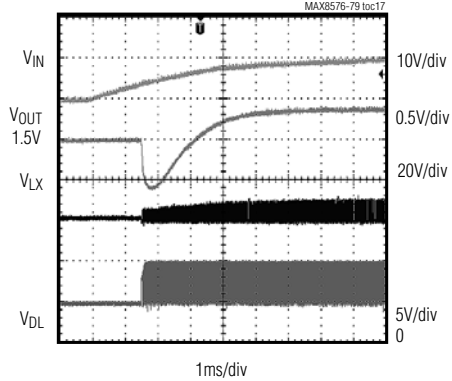
**STARTUP AND SHUTDOWN  
(CIRCUIT OF FIGURE 2)**



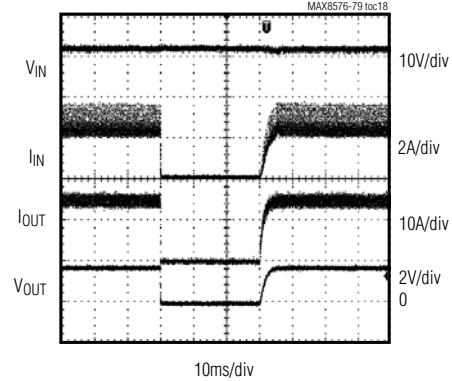
**MONOTONIC OUTPUT-VOLTAGE RISE  
(CIRCUIT OF FIGURE 2, MAX8576)**



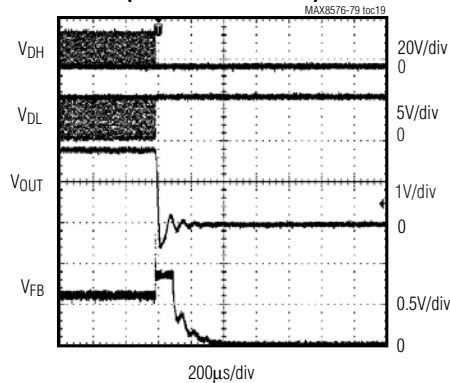
**NONMONOTONIC OUTPUT-VOLTAGE RISE  
(CIRCUIT OF FIGURE 2, MAX8577)**



**SHORT CIRCUIT AND RECOVERY  
(CIRCUIT OF FIGURE 2)**



**OUTPUT OVERVOLTAGE PROTECTION  
(CIRCUIT OF FIGURE 2)**



# 3V to 28V Input, Low-Cost, Hysteretic Synchronous Step-Down Controllers

## Pin Description

| PIN                 |                     | NAME            | FUNCTION   |
|---------------------|---------------------|-----------------|--|
| MAX8576/<br>MAX8577 | MAX8578/<br>MAX8579 |                 |  |
| 1                   | 1                   | FB              | Feedback Input. Regulates at $V_{FB} = 0.59V$ . Connect FB to a resistor-divider to set the output voltage. See the <i>Setting the Output Voltage</i> section.   |
| 2                   | 2                   | SS              | Soft-Start. Use an external capacitor ( $C_{SS}$ ) to adjust the soft-start time. An internal 80k $\Omega$ resistor gives approximately 4ms soft-start time for a 0.01 $\mu F$ external capacitor. An internal 250nA current sink in hiccup mode gives approximately 10% duty cycle during fault conditions.   |
| 3                   | —                   | VL              | Internal 5V Linear-Regulator Output. Bypass with a 4.7 $\mu F$ or larger ceramic capacitor. Must be connected to IN for operation from a 3.3V to 5.5V input.   |
| —                   | 3                   | V <sub>CC</sub> | Supply Input (3V to 5.5V). Bypass with a 4.7 $\mu F$ or larger ceramic capacitor to GND.   |
| 4                   | 4                   | GND             | Ground   |
| 5                   | 5                   | DL              | Low-Side Gate-Drive Output. Drives the synchronous-rectifier MOSFET.   |
| 6                   | 6                   | BST             | Boost-Capacitor Connection for High-Side Gate-Drive Output. Connect a 0.1 $\mu F$ ceramic capacitor from BST to LX and a Schottky or switching diode and a 4.7 $\Omega$ series resistor from BST to VL (MAX8576/MAX8577) or V <sub>CC</sub> (MAX8578/MAX8579). See Figure 4.   |
| 7                   | 7                   | LX              | External Inductor Connection. Connect LX to the junctions of the MOSFETs and inductor.   |
| 8                   | 8                   | DH              | High-Side Gate-Drive Output. Drives the high-side MOSFET.  |
| 9                   | —                   | IN              | Supply Voltage Input of the Internal Linear Regulator (3V to 28V). Connect to VL for operation from 3V to 5.5V input. Connect a 0.47 $\mu F$ or larger ceramic capacitor from IN to GND.   |
| —                   | 9                   | EN              | Enable Input. A logic low on EN shuts down the converter and discharges the soft-start capacitor. Drive high or connect to V <sub>CC</sub> for normal operation.   |
| 10                  | 10                  | OCSET           | Overcurrent-Limit Set. Programs the high-side peak current-limit threshold by setting the maximum-allowed V <sub>DS</sub> voltage drop across the high-side MOSFET. Connect a resistor from IN to OCSET; an internal 50 $\mu A$ current sink sets the maximum voltage drop relative to V <sub>IN</sub> . See the <i>Setting the Current Limit</i> section. |



# 3V to 28V Input, Low-Cost, Hysteretic Synchronous Step-Down Controllers

**MAX8576-MAX8579**

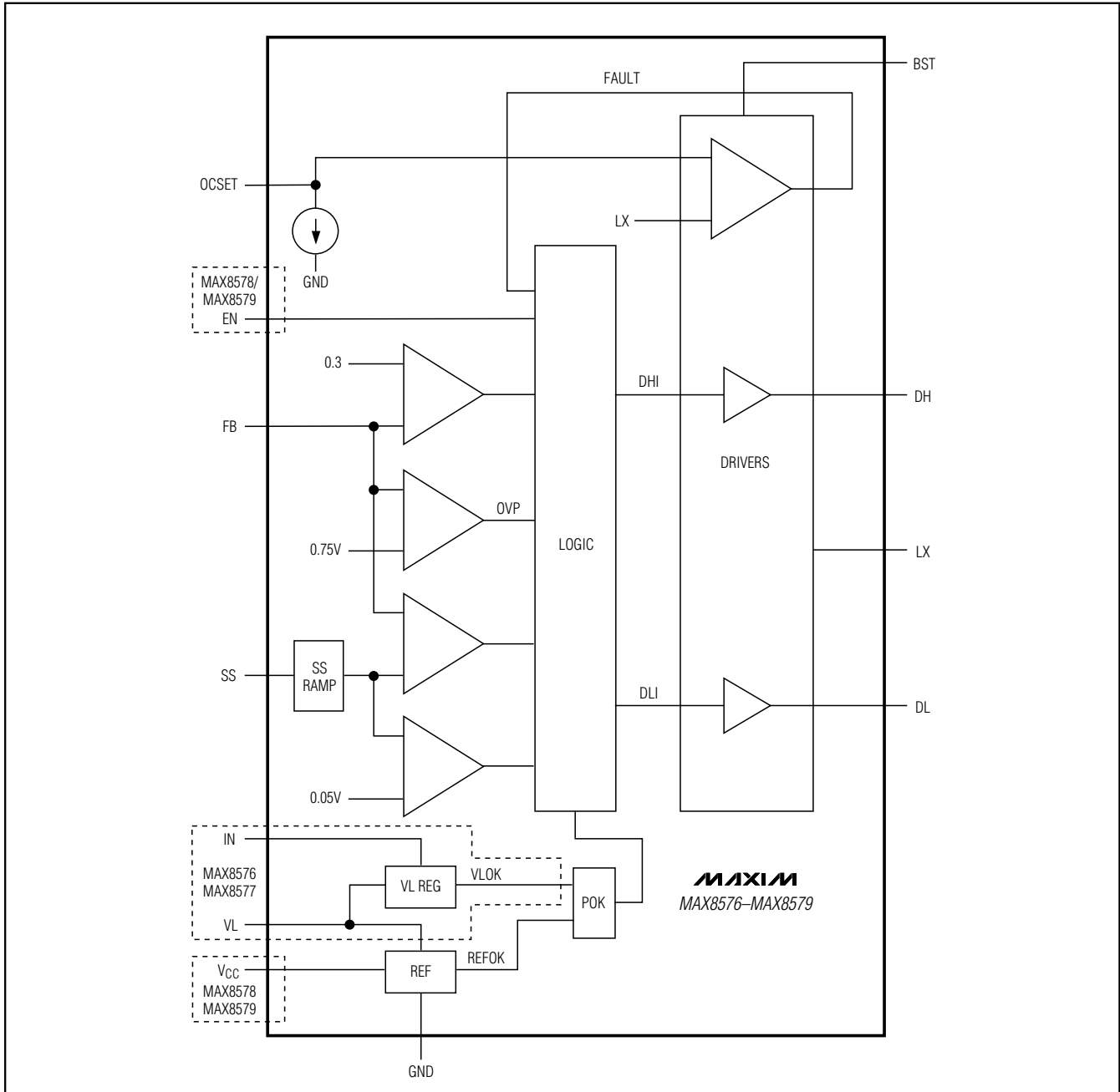


Figure 1. Functional Diagram

# 3V to 28V Input, Low-Cost, Hysteretic Synchronous Step-Down Controllers

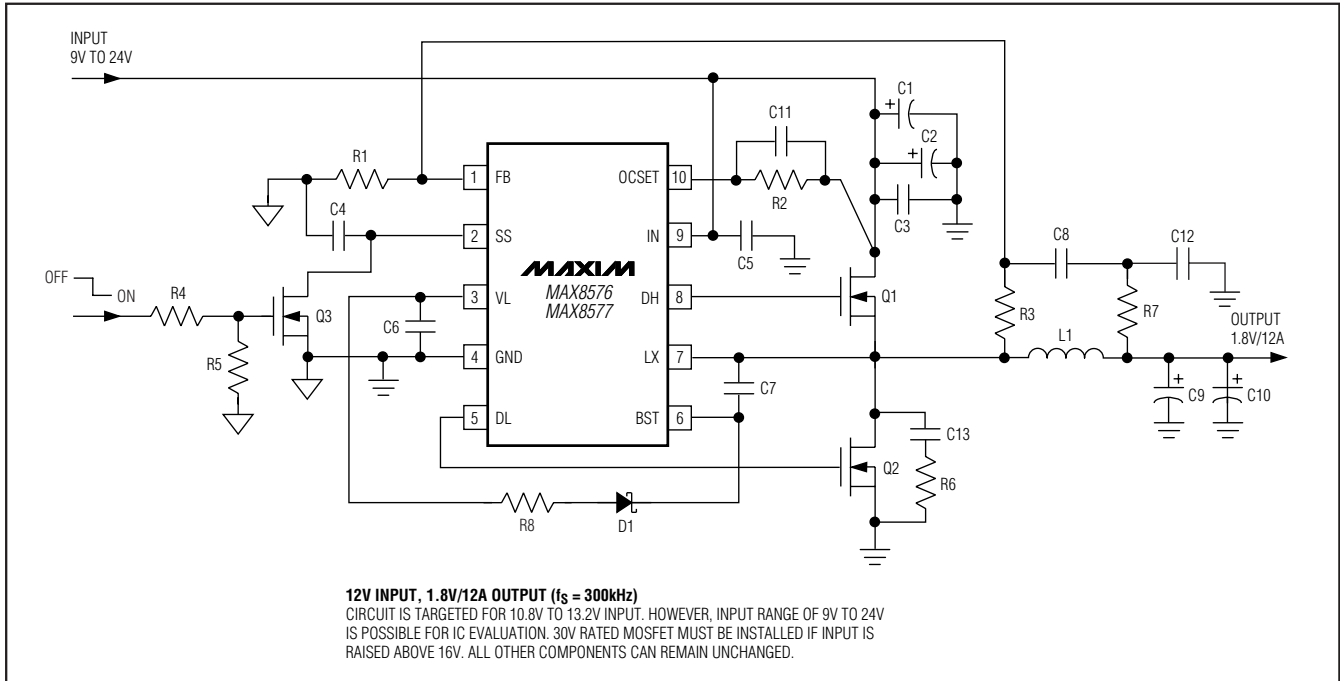


Figure 2. MAX8576/MAX8577 Typical Application Circuit

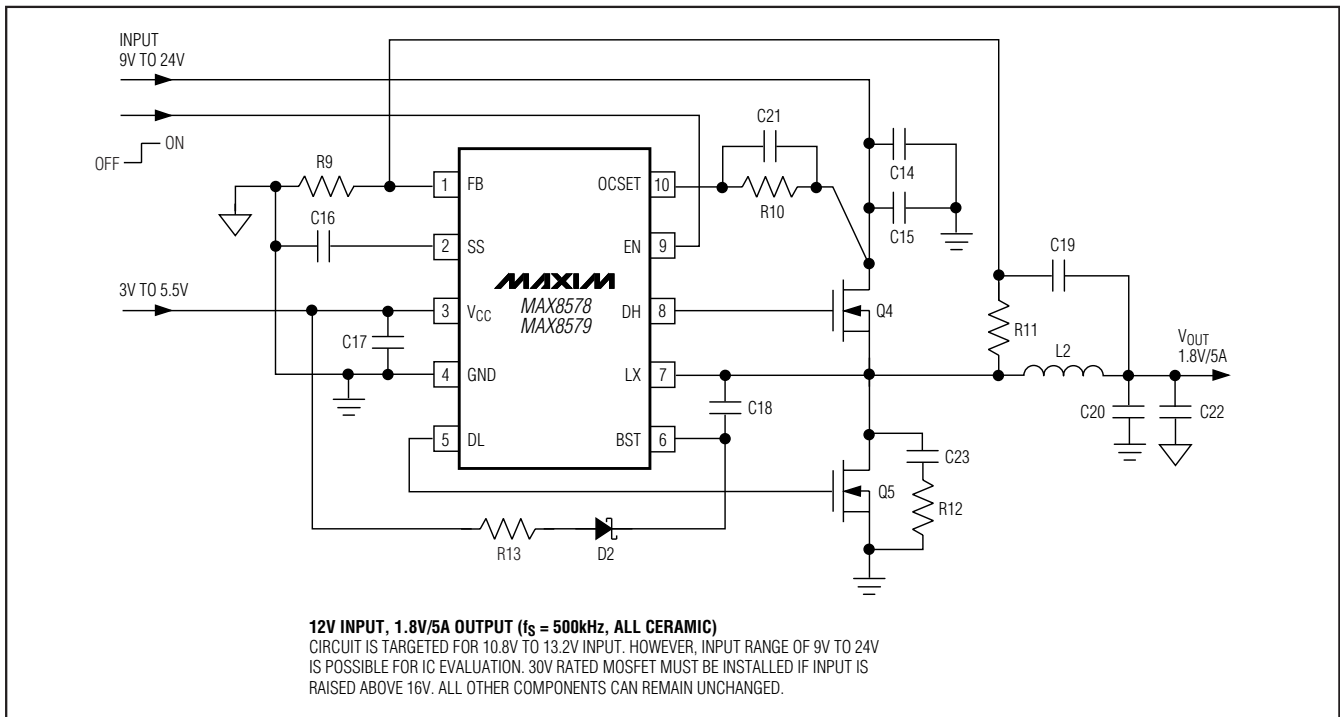


Figure 3. MAX8578/MAX8579 Typical Application Circuit

# 3V to 28V Input, Low-Cost, Hysteretic Synchronous Step-Down Controllers

MAX8576-MAX8579

## MAX8576/MAX8577 External Component List

| COMPONENTS | QTY | DESCRIPTION/VENDOR PART NUMBER  |
|------------|-----|---|
| C1, C2     | 2   | 470 $\mu$ F, 35V aluminum electrolytic capacitors<br>Sanyo 35MV470WX            |
| C3         | 1   | 10 $\mu$ F, 25V X7R ceramic capacitor   |
| C4         | 1   | 0.01 $\mu$ F, 10V X7R ceramic capacitor   |
| C5         | 1   | 1 $\mu$ F, 35V X7R ceramic capacitor  |
| C6         | 1   | 4.7 $\mu$ F, 6.3V X5R ceramic capacitor   |
| C7, C12    | 2   | 0.1 $\mu$ F, 10V X7R ceramic capacitors   |
| C8         | 1   | 0.027 $\mu$ F, 25V X7R ceramic capacitor  |
| C9, C10    | 2   | 2200 $\mu$ F, 6.3V aluminum electrolytic capacitors<br>Rubycon 6.3MBZ2200M10X20 |
| C11        | 1   | 0.01 $\mu$ F, 25V X5R ceramic capacitor   |
| C13        | 1   | 3300pF, 6.3V X5R ceramic capacitor  |
| D1         | 1   | High-speed diode, 100V, 250mA<br>Philips BAS316 (SOD-323)                       |
| L1         | 1   | 1.8 $\mu$ H, 14A, 3.48m $\Omega$<br>Panasonic ETQP2H1R8BFA                      |
| Q1         | 1   | 30V, 12.5m $\Omega$ (max), SO-8<br>International Rectifier IRF7821              |
| Q2         | 1   | 30V, 3.7m $\Omega$ , SO-8<br>International Rectifier IRF7832                    |
| Q3         | 1   | 2N7002 SOT-23   |
| R1         | 1   | 6.04k $\Omega$ $\pm$ 1% resistor  |
| R2         | 1   | 5.11 k $\Omega$ $\pm$ 1% resistor   |
| R3         | 1   | 12.4k $\Omega$ $\pm$ 1% resistor  |
| R4         | 1   | 1k $\Omega$ $\pm$ 5% resistor   |
| R5         | 1   | 20k $\Omega$ $\pm$ 5% resistor  |
| R6         | 1   | 2 $\Omega$ $\pm$ 5% resistor  |
| R7         | 1   | 10 $\Omega$ $\pm$ 5% resistor   |
| R8         | 1   | 4.7 $\Omega$ $\pm$ 5% resistor  |

## Detailed Description

The MAX8576-MAX8579 synchronous PWM buck controllers use Maxim's proprietary hysteretic voltage-mode control algorithm to achieve fast transient response without any loop-compensation requirement. The controller drives a pair of external n-channel power MOSFETs to improve efficiency and cost. The

## MAX8578/MAX8579 External Component List

| COMPONENT | QTY | DESCRIPTION/VENDOR PART NUMBER  |
|-----------|-----|---|
| C14       | 1   | 10 $\mu$ F, 25V X5R ceramic capacitor   |
| C15       | 1   | 1 $\mu$ F, 25V X5R ceramic capacitor  |
| C16       | 1   | 4700pF, 10V X7R ceramic capacitor   |
| C17       | 1   | 4.7 $\mu$ F, 6.3V X5R ceramic capacitor   |
| C18       | 1   | 0.1 $\mu$ F, 10V X7R ceramic capacitor  |
| C19       | 1   | 0.01 $\mu$ F, 25V X7R ceramic capacitor   |
| C20       | 1   | 47 $\mu$ F, 6.3V, ESR = 5m $\Omega$ , ceramic capacitor<br>Taiyo Yuden JMK432476MM          |
| C21       | 1   | 0.01 $\mu$ F, 25V X5R ceramic capacitor   |
| C22       | 0   | Optional (47 $\mu$ F, 6.3V, ESR = 5m $\Omega$ ceramic capacitor<br>Taiyo Yuden JMK432476MM) |
| C23       | 1   | 1000pF, 25V X5R ceramic capacitor   |
| D2        | 1   | High-speed diode, 100V, 250mA<br>Philips BAS316 (SOD-323)                                   |
| L2        | 1   | 2.2 $\mu$ H, 7.3A, 9.8m $\Omega$<br>Sumida CDEP104L-2R2                                     |
| Q4        | 1   | 30V, 18m $\Omega$ (max), SO-8<br>International Rectifier IRF7807Z                           |
| Q5        | 1   | 30V, 9.5m $\Omega$ , SO-8<br>International Rectifier IRF7821                                |
| R9        | 1   | 6.04k $\Omega$ $\pm$ 1% resistor  |
| R10       | 1   | 2.49k $\Omega$ $\pm$ 1% resistor  |
| R11       | 1   | 12.4k $\Omega$ $\pm$ 1% resistor  |
| R12       | 1   | 2 $\Omega$ $\pm$ 5% resistor  |
| R13       | 1   | 4.7 $\Omega$ $\pm$ 5% resistor  |

MAX8576/MAX8577 contain an internal linear low-dropout (LDO) regulator allowing the controller to operate from a single 3V to 28V input supply. The MAX8578/MAX8579 do not contain the internal LDO and require a separate supply to power the IC when the input supply is higher than 5.5V. The MAX8576-MAX8579 output voltages are adjustable from 0.6V to 0.9 x V<sub>IN</sub> at loads up to 15A.

# 3V to 28V Input, Low-Cost, Hysteretic Synchronous Step-Down Controllers

Nominal switching frequency is programmable over the 200kHz to 500kHz range. High-side MOSFET sensing is used for adjustable hiccup current-limit and short-circuit protection. The MAX8576/MAX8578 can start up into a precharged output without pulling the output voltage down. The MAX8577/MAX8579 have startup output overvoltage protection (OVP).

The MAX8578/MAX8579 have a logic-enable input to turn on and off the output. The MAX8576/MAX8577 are turned off by pulling SS low with an external small n-channel MOSFET (see Figure 2).

## DC-DC Converter Control Architecture

A proprietary hysteretic-PWM control scheme ensures high efficiency, fast switching, and fast transient response. This control scheme is simple: when the output voltage falls below the regulation threshold, the error comparator begins a switching cycle by turning on the high-side switch. This switch remains on until the minimum on-time expires and the output voltage is in regulation or the current-limit threshold is exceeded. Once off, the high-side switch remains off until the minimum off-time expires and the output voltage falls below the regulation threshold. During this period, the low-side synchronous rectifier turns on and remains on until the voltage at FB drops below its regulation threshold. The internal synchronous rectifier eliminates the need for an external Schottky diode.

## Voltage-Positioning Load Regulation

As seen in Figures 2 and 3, the MAX8576–MAX8579 use a unique feedback network. By taking feedback from the LX node through R3 (R11 for the MAX8578/MAX8579), the usual phase lag due to the output capacitor does not exist, making the loop stable for either electrolytic or ceramic output capacitors. This configuration causes the output voltage to shift by the inductor DC resistance multiplied by the load current. This voltage-positioning load regulation greatly reduces overshoot during load transients, which effectively halves the peak-to-peak output-voltage excursions compared to traditional step-down converters. See the Load Transient graphs in the *Typical Operating Characteristics*.

## Internal 5V Linear Regulator

All MAX8576/MAX8577 functions are powered from the on-chip, low-dropout 5V regulator with the input connected to IN. Bypass the regulator's output (VL) with a 1 $\mu$ F or greater ceramic capacitor. The capacitor must have an equivalent series resistance (ESR) of no greater than 10m $\Omega$ . When  $V_{IN}$  is less than 5.5V, short VL to IN. The MAX8578/MAX8579 do not have the on-chip 5V regulator and must use a separate external

supply from 3V to 5.5V connected to VCC if the input voltage is greater than 5.5V.

## Undervoltage Lockout

If VL (MAX8576/MAX8577) or VCC (MAX8578/MAX8579) drops below 2.45V (typ), the MAX8576–MAX8579 assume that the supply voltage is too low for proper circuit operation, so the UVLO circuitry inhibits switching and forces the DL and DH gate drivers low for the MAX8576/MAX8578, and DH low and DL high for the MAX8577/MAX8579. After  $V_{IN}$  rises above 2.8V (typ), the controller goes into the startup sequence and resumes normal operation.

## Output Overvoltage Protection

The MAX8576–MAX8579 output overvoltage protection is provided by a glitch-resistant comparator on FB with a trip threshold of 750mV (typ). The overvoltage-protection circuit is latched by an OVP fault, terminating the run cycle and setting DH low and DL high. The fault is cleared by toggling EN or UVLO. Output OVP is active whenever the internal reference is in regulation.

## Startup and Soft-Start

The soft-start sequence is initiated upon initial power-up, recovering from UVLO, or driving EN (MAX8578/MAX8579) high from a low state, or releasing SS (MAX8576/MAX8577) from a low state. The external soft-start capacitor (C<sub>SS</sub>) is connected to an internal resistor-divider that exponentially charges the capacitor to 0.6V, with an SS ramp interval of 5 x RC or 4ms per 0.01 $\mu$ F. SS is one input to the internal voltage error comparator, while FB is the other input. The output voltage fed back to FB tracks the rising SS voltage. Switching commences immediately if  $V_{FB}$  is initially less than  $V_{SS}$ ; if  $V_{FB}$  is greater than  $V_{SS}$ , DH remains low until  $V_{FB}$  is less than  $V_{SS}$ . DL remains low in the MAX8576/MAX8578. This prevents the converter from operating in reverse. However, DL is high before startup in the MAX8577/MAX8579 to enable OVP protection in case the high-side MOSFET is shorted.

## Enable

Connecting EN to GND or logic low places the MAX8578/MAX8579 in shutdown mode. In shutdown, DH and DL are forced low, and the voltage at SS is discharged with a 250nA current, resulting in a ramp-down interval of approximately 10x the soft-start ramp-up interval.  $V_{SS}$  must fall to within 50mV of GND before another cycle can commence. SS (MAX8576/MAX8577) or EN (MAX8578/MAX8579) do not need to be cycled after an overcurrent event. Connect EN to VCC or logic high for normal operation. To shut down the MAX8576/MAX8577, use an external circuit connected

## 3V to 28V Input, Low-Cost, Hysteretic Synchronous Step-Down Controllers

to SS. See Figure 2 for details. The maximum on-resistance of the small external n-channel MOSFET should be less than  $40\Omega$  so that the SS voltage is below 10mV.

### Synchronous-Rectifier Driver (DL)

Synchronous rectification reduces conduction losses in the rectifier by replacing the normal Schottky catch diode with a low-resistance MOSFET switch. The DL low-side waveform is always the complement of the DH high-side drive waveform (with controlled dead time to prevent cross-conduction or shoot-through). A dead-time circuit monitors the DL output and prevents the high-side MOSFET from turning on until DL is fully off. For the dead-time circuit to work properly, there must be a low-resistance, low-inductance path from the DL driver to the MOSFET gate. Otherwise, the sense circuitry in the MAX8576-MAX8579 may interpret the MOSFET gate as off when gate charge actually remains. Use very short, wide traces (50 mils to 100 mils wide if the MOSFET is 1in from the device). The dead time at the other edge (DH turning off) is also determined through gate sensing.

### High-Side Gate-Drive Supply (BST)

Gate-drive voltage for the high-side n-channel switch is generated by a flying-capacitor boost circuit (Figure 4). The capacitor between BST and LX is charged from the IN supply up to  $V_{IN}$  minus the diode drop while the low-side MOSFET is on. When the low-side MOSFET is switched off, the stored voltage of the capacitor is stacked above LX to provide the necessary turn-on voltage ( $V_{GS}$ ) for the high-side MOSFET. The controller then closes an internal switch between BST and DH to turn the high-side MOSFET on.

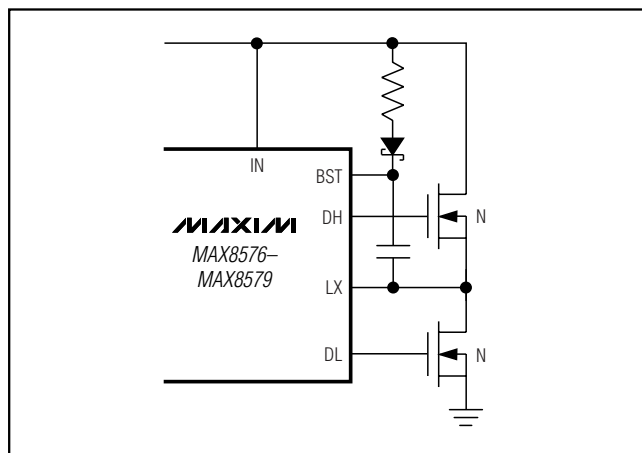


Figure 4. DH Boost Circuit

### Current-Limit Circuit

Current limit is set externally with a resistor from OCSET to the drain of the high-side n-channel MOSFET that is normally connected to the input supply. The resistor programs the high-side peak current limit by setting the maximum-allowed  $V_{DS(ON)}$  voltage drop across the high-side MOSFET. An internal  $50\mu A$  current sink sets the maximum voltage drop relative to  $V_{IN}$ . If  $V_{FB} < 300mV$ , any overcurrent event ( $V_{DS}$  of the high-side n-channel MOSFET is larger than the limit programmed at OCSET) immediately sets DH low and terminates the run cycle. If  $V_{FB} > 300mV$  and an overcurrent event is detected, DH is immediately set low and four sequential overcurrent events terminate the run cycle. Once the run cycle is terminated, the SS capacitor is slowly discharged through the internal  $250nA$  current sink to provide a hiccup current-limit effect. Choosing the proper value resistor is discussed in the *Setting the Current Limit* section.

### Switching Frequency

Nominal switching frequency is programmable over the 200kHz to 500kHz range. This allows tradeoffs in efficiency, switching frequency, inductor value, and component size. Faster switching frequency allows for smaller inductor values but does result in some efficiency loss. Inductor-value calculations are provided in the *Inductor Value* section. The switching frequency is tuned by the selection of the feed-forward capacitor (CFF). See the *Feed-Forward Capacitor* section.

### Thermal-Overload Protection

Thermal-overload protection limits total power dissipation in the MAX8576-MAX8579. When the junction temperature exceeds  $T_J = +160^\circ C$ , an internal thermal sensor shuts down the IC, allowing the IC to cool. The thermal sensor turns the IC on again after the junction temperature cools to  $+140^\circ C$ , resulting in a pulsed output during continuous thermal-overload conditions.

## Design Procedures

### Setting the Output Voltage

Select an output voltage between 0.6V and  $0.9 \times V_{IN}$  by connecting FB to a resistive voltage-divider between LX and GND (see Figures 2 and 3). Choose R1 for approximately  $50\mu A$  to  $150\mu A$  bias current in the resistive divider. A wide range of resistor values is acceptable, but a good starting point is to choose R1 as  $6.04k\Omega$ . Then, R3 is given by:

## 3V to 28V Input, Low-Cost, Hysteretic Synchronous Step-Down Controllers

$$R3 = R1 \times \left( \frac{V_{OUT} + 0.01V + (R_{DC} \times 0.5 \times I_{OUTMAX})}{V_{FB}} - 1 \right)$$

where  $V_{FB} = 0.590V$ ,  $R_{DC}$  is the DC resistance of the output inductor,  $I_{OUTMAX}$  is the maximum output current. The term 0.01V is to reflect 1/2 of the feedback-threshold hysteresis.

### Inductor Value

The inductor value is bounded by two operating parameters: the switching frequency and the inductor peak-to-peak ripple current. The peak-to-peak ripple current is typically in the range of 20% to 40% of the maximum output current. The equation below defines the inductance value:

$$L = \left( \frac{V_{OUT} \times (V_{IN} - V_{OUT})}{V_{IN} \times f_S \times I_{LOAD(MAX)} \times LIR} \right)$$

where LIR is the ratio of inductor current ripple to DC load current and  $f_S$  is the switching frequency. A good compromise between size, efficiency, and cost is an LIR of 30%. The selected inductor must have a saturated current rating above the sum of the maximum output current and half of the peak-to-peak ripple current. The DC current rating of the inductor must be above the maximum output current to keep the temperature rise within the desired range. In addition, the DC resistance of the inductor must meet the requirement below:

$$R_{DC} \leq \frac{\Delta V_{OUT}}{I_{OUTMAX}}$$

where  $\Delta V_{OUT}$  is the maximum-allowed output-voltage drop from no load to full load ( $I_{OUTMAX}$ ).

### Setting the Current Limit

Resistor R2 (R7 for the MAX8577/MAX8579) of Figure 2 (Figure 3 for the MAX8577/MAX8579) sets the current limit and is connected between OCSET and the drain of the high-side n-channel MOSFET. An internal 50 $\mu$ A current sink sets the maximum voltage drop across the high-side n-channel MOSFET relative to  $V_{IN}$ . The maximum  $V_{DS}$  drop needs to be determined. This is calculated by:

$$V_{DS(ON)MAX} = I_{DS(MAX)} \times R_{DS(ON)MAX}$$

$I_{DS(MAX)}$  must be equal or greater than the maximum peak inductor current at the maximum output current. Use  $R_{DS(ON)MAX}$  at the junction temperature of +25°C. The current limit is temperature compensated.

ROCSET is calculated using the  $V_{DS(ON)MAX}$  with the following formula:

$$R_{OCSET} = \frac{V_{DS(ON)MAX}}{50\mu A}$$

A 0.01 $\mu$ F ceramic capacitor is required in parallel with ROCSET to decouple high-frequency noise.

### MOSFET Selection

The MAX8576-MAX8579 drive two external, logic-level, n-channel MOSFETs as the circuit switching elements. The key selection parameters are:

- 1) On-resistance ( $R_{DS(ON)}$ ): the lower, the better.
- 2) Maximum drain-to-source voltage ( $V_{DSS}$ ): should be at least 20% higher than the input supply rail at the high-side MOSFET's drain.
- 3) Gate charges ( $Q_g$ ,  $Q_{gd}$ ,  $Q_{gs}$ ): the lower, the better.

For a 3.3V input application, choose a MOSFET with a rated  $R_{DS(ON)}$  at  $V_{GS} = 2.5V$ . For a 5V input application, choose the MOSFETs with rated  $R_{DS(ON)}$  at  $V_{GS} \leq 4.5V$ . For a good compromise between efficiency and cost, choose the high-side MOSFET (N1) that has conduction losses equal to switching loss at nominal input voltage and output current. The selected high-side MOSFET (N1) must have  $R_{DS(ON)}$  that satisfies the current-limit-setting condition above. For N2, make sure that it does not spuriously turn on due to  $dV/dt$  caused by N1 turning on as this results in shoot-through current degrading the efficiency. MOSFETs with a lower  $Q_{gd} / Q_{gs}$  ratio have higher immunity to  $dV/dt$ .

For proper thermal-management design, the power dissipation must be calculated at the desired maximum operating junction temperature, maximum output current, and worst-case input voltage (for the low-side MOSFET, worst case is at  $V_{IN(MAX)}$ ; for the high-side MOSFET, it could be either at  $V_{IN(MAX)}$  or  $V_{IN(MIN)}$ ). N1 and N2 have different loss components due to the circuit operation. N2 operates as a zero-voltage switch; therefore, major losses are: the channel-conduction loss ( $P_{N2CC}$ ) and the body-diode conduction loss ( $P_{N2DC}$ ).

$$P_{N2CC} = \left( 1 - \frac{V_{OUT}}{V_{IN}} \right) \times I_{LOAD}^2 \times R_{DS(ON)}$$

Use  $R_{DS(ON)}$  at  $T_J(MAX)$ .

$$P_{N2DC} = 2 \times I_{LOAD} \times V_F \times t_{dt} \times f_S$$

where  $V_F$  is the body-diode forward-voltage drop,  $t_{dt}$  is the dead time between N1 and N2 switching transitions (40ns typ), and  $f_S$  is the switching frequency.

## 3V to 28V Input, Low-Cost, Hysteretic Synchronous Step-Down Controllers

N1 operates as a duty-cycle control switch and has the following major losses: the channel-conduction loss ( $P_{N1CC}$ ), the VL overlapping switching loss ( $P_{N1SW}$ ), and the drive loss ( $P_{N1DR}$ ). N1 does not have body-diode conduction loss because the diode never conducts current.

$$P_{N1CC} = \left( \frac{V_{OUT}}{V_{IN}} \right) \times I_{LOAD}^2 \times R_{DS(ON)}$$

Use  $R_{DS(ON)}$  at  $T_J(MAX)$ .

$$P_{N1SW} = V_{IN} \times I_{LOAD} \times \left( \frac{Q_{gs} + Q_{gd}}{I_{GATE}} \right) \times f_S$$

where  $I_{GATE}$  is the average DH driver output-current capability determined by:

$$I_{GATE} \cong 0.5 \times \frac{V_L}{R_{DH} + R_{GATE}}$$

where  $R_{DH}$  is the high-side MOSFET driver's on-resistance ( $2\Omega$  typ) and  $R_{GATE}$  is the internal gate resistance of the MOSFET (approximately  $2\Omega$ ).

$$P_{N1DR} = Q_g \times V_{GS} \times f_S \times \frac{R_{GATE}}{R_{GATE} + R_{DH}}$$

where  $V_{GS}$  is approximately equal to  $V_L$ .

In addition to the losses above, allow about 20% more for additional losses due to MOSFET output capacitances and N2 body-diode reverse-recovery charge dissipated in N1 that exists, but is not well defined in the MOSFET data sheet. Refer to the MOSFET data sheet for thermal-resistance specification to calculate the PC board area needed to maintain the desired maximum operating junction temperature with the above calculated power dissipations.

To reduce EMI caused by switching noise, add  $0.1\mu F$  ceramic capacitor from the high-side switch drain to the low-side switch source or add resistors in series with DH and DL to slow down the switching transitions. However, adding series resistors increases the power dissipation of the MOSFET, so be sure this does not overheat the MOSFET.

The minimum load current must exceed the high-side MOSFET's maximum leakage current over temperature if fault conditions are expected.

### Input Capacitor

The input filter capacitor reduces peak currents drawn from the power source and reduces noise and voltage ripple on the input caused by the circuit's switching. The input capacitor must meet the ripple-current requirement ( $I_{RMS}$ ) imposed by the switching currents defined by the following equation:

$$I_{RMS} = \frac{I_{LOAD} \times \sqrt{V_{OUT} \times (V_{IN} - V_{OUT})}}{V_{IN}}$$

$I_{RMS}$  has a maximum value when the input voltage equals twice the output voltage ( $V_{IN} = 2 \times V_{OUT}$ ), so  $I_{RMS(MAX)} = I_{LOAD} / 2$ . Ceramic capacitors are recommended due to their low ESR and ESL at high frequency, with relatively lower cost. Choose a capacitor that exhibits less than  $10^\circ C$  temperature rise at the maximum operating RMS current for optimum long-term reliability.

### Output Capacitor

The key selection parameters for the output capacitor are the actual capacitance value, the ESR, the equivalent series inductance (ESL), and the voltage-rating requirements. These parameters affect the overall stability, output voltage ripple, and transient response. The output ripple has three components: variations in the charge stored in the output capacitor, the voltage drop across the capacitor's ESR, and the ESL caused by the current into and out of the capacitor. The maximum output ripple voltage can be estimated by:

$$V_{RIPPLE} = V_{RIPPLE(ESR)} + V_{RIPPLE(C)} + V_{RIPPLE(ESL)}$$

The output voltage ripple as a consequence of the ESR and output capacitance is:

$$V_{RIPPLE(ESR)} = I_{P-P} \times ESR$$

$$V_{RIPPLE(C)} = \frac{I_{P-P}}{C_{OUT} \times f_S}$$

$$V_{RIPPLE(ESL)} = \left( \frac{V_{IN}}{L} \right) \times ESL$$

$$I_{P-P} = \left( \frac{V_{IN} - V_{OUT}}{f_S \times L} \right) \times \left( \frac{V_{OUT}}{V_{IN}} \right)$$

where  $I_{P-P}$  is the peak-to-peak inductor current (see the *Inductor Value* section). These equations are suitable for initial capacitor selection, but final values should be

## 3V to 28V Input, Low-Cost, Hysteretic Synchronous Step-Down Controllers

chosen based on a prototype or evaluation circuit. As a general rule, a smaller current ripple results in less output voltage ripple. Since the inductor ripple current is a factor of the inductor value and input voltage, the output voltage ripple decreases with larger inductance and increases with higher input voltages. For reliable and safe operation, ensure that the capacitor's voltage and ripple-current ratings exceed the calculated values.

The response of the MAX8576-MAX8579 to a load transient depends on the selected output capacitors. After a load transient, the output voltage instantly changes by ESR times  $\Delta I_{LOAD}$ . Before the controller can respond, the output voltage deviates further depending on the inductor and output capacitor values. The controller responds immediately as the output voltage deviates from its regulation limit (see the *Typical Operating Characteristics*).

The MAX8576-MAX8579 are compatible with both aluminum electrolytic and ceramic output capacitors. Due to the limited capacitance of a ceramic capacitor, it is typically used for a higher switching frequency and lower output current. Aluminum electrolytic is more applicable to frequencies up to 300kHz and can support higher output current with its much higher capacitance value.

Due to the much higher ESL and ESR of the aluminum electrolytic capacitor, an RC filter (R7 and C12 of Figure 2) is required to prevent excessive ESL and ESR ripple from tripping the feedback threshold prematurely.

### MOSFET Snubber Circuit

Fast-switching transitions cause ringing because of resonating circuit parasitic inductance and capacitance at the switching nodes. This high-frequency ringing occurs at LX's rising and falling transitions and can interfere with circuit performance and generate EMI. To dampen this ringing, a series RC snubber circuit is added across each switch. Below is the procedure for selecting the value of the series RC circuit:

- 1) Connect a scope probe to measure  $V_{LX}$  to GND, and observe the ringing frequency,  $f_R$ .
- 2) Find the capacitor value (connected from LX to GND) that reduces the ringing frequency by half.

The circuit parasitic ( $C_{PAR}$ ) at LX is then equal to 1/3 the value of the added capacitance above. The circuit parasitic inductance ( $L_{PAR}$ ) is calculated by:

$$L_{PAR} = \frac{1}{(2\pi f_R)^2 \times C_{PAR}}$$

The resistor for critical dampening ( $R_{SNUB}$ ) is equal to  $2\pi \times f_R \times L_{PAR}$ . Adjust the resistor value up or down to tailor the desired damping and the peak voltage excursion.

The capacitor ( $C_{SNUB}$ ) should be at least 2 to 4 times the value of  $C_{PAR}$  to be effective. The power loss of the snubber circuit is dissipated in the resistor ( $P_{RSNUB}$ ) and can be calculated as:

$$P_{RSNUB} = C_{SNUB} \times (V_{IN})^2 \times f_{SW}$$

where  $V_{IN}$  is the input voltage and  $f_{SW}$  is the switching frequency. Choose an  $R_{SNUB}$  power rating that meets the specific application's derating rule for the power dissipation calculated.

### Feed-Forward Capacitor

The feed-forward capacitor, C8 (Figure 2, MAX8576/MAX8577 with aluminum electrolytic output capacitor), or C19 (Figure 3, MAX8578/MAX8579 with ceramic output capacitor), dominantly affects the switching frequency. Choose a ceramic X7R capacitor with a value given by:

$$C8 = \frac{1}{R_{FB}} \times \left( \frac{1}{f_S} - 120\text{ns} \times \frac{V_{IN}}{V_{OUT}} \right) \times 49.5 \times \left( 1 - \frac{V_{OUT}}{V_{IN}} \right)$$

or

$$C19 = \frac{1}{R_{FB}} \times \left( \frac{1}{f_S} - 120\text{ns} \times \frac{V_{IN}}{V_{OUT}} \right) \times 39.5 \times \left( 1 - \frac{V_{OUT}}{V_{IN}} \right)$$

where  $f_S$  is the desired switching frequency, and  $R_{FB}$  is the parallel combination of the two feedback divider-resistors (R1 and R3 of Figure 2, and R9 and R11 of Figure 3).

Select the closest standard value to C8 and C19 as possible.

The output inductor and output capacitor also affect the switching frequency, but to a much lesser extent.

The equations for C8 and C19 above should yield within  $\pm 30\%$  of the desired switching frequency for most applications. The values of C8 and C19 can be increased to lower the frequency, or decreased to raise the frequency for better accuracy.

## Application Information

### PC Board Layout Guidelines

Careful PC board layout is critical to achieve low switching losses and clean, stable operation. The switching power stage requires particular attention. Follow these guidelines for good PC board layout:



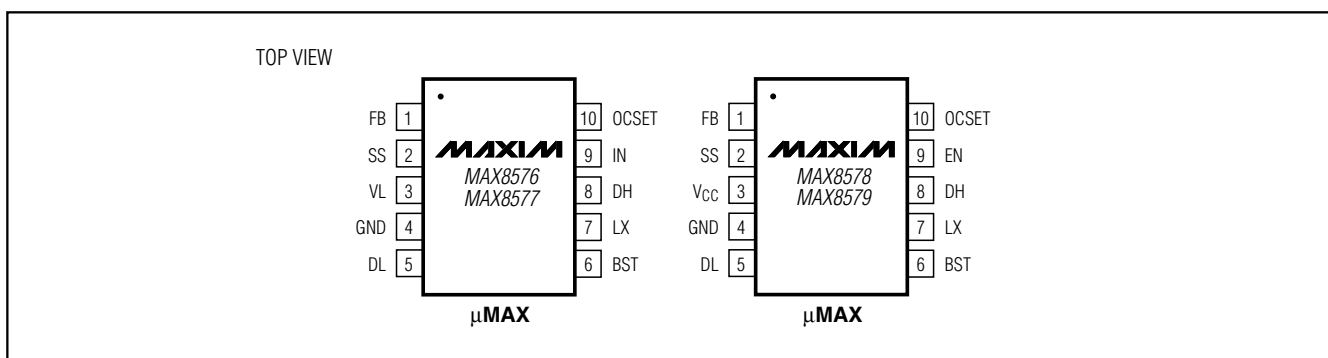
# 3V to 28V Input, Low-Cost, Hysteretic Synchronous Step-Down Controllers

- 1) Place IC decoupling capacitors as close to IC pins as possible. Place the input ceramic decoupling capacitor directly across and as close as possible to the high-side MOSFET's drain and the low-side MOSFET's source. This is to help contain the high switching current within this small loop.
- 2) For output current > 10A, a four-layer PC board is recommended. Pour a ground plane in the second layer underneath the IC to minimize noise coupling.
- 3) Input, output, and VL capacitors are connected to the power ground plane with the exception of C12 and C22. These capacitors and all other capacitors are connected to the analog ground plane.
- 4) Make the connection from the current-limit setting resistor directly to the high-side MOSFET's drain to minimize the effect of PC board trace resistance and inductance.
- 5) Place the MOSFET as close as possible to the IC to minimize trace inductance. If parallel MOSFETs are used, keep the gate connection to both gates equal.
- 6) Connect the drain leads of the power MOSFET to a large copper area to help cool the device. Refer to the power MOSFET data sheet for the recommended copper area.
- 7) Place the feedback components as close to the IC pins as possible. The feedback divider-resistor from FB to the output inductor should be connected directly to the inductor and not sharing with other connections to this node.
- 8) Refer to the EV kit for further guidelines.

## Suggested External Component Manufacturers

| MANUFACTURER            | COMPONENT  | WEBSITE               | PHONE        |
|-------------------------|------------|-----------------------|--------------|
| Central Semiconductor   | Diodes     | www.centralsemi.com   | 631-435-1110 |
| Panasonic               | Inductors  | www.panasonic.com     | 402-564-3131 |
| Sumida                  | Inductors  | www.sumida.com        | 847-956-0666 |
| International Rectifier | MOSFETs    | www.irf.com           | 800-341-0392 |
| Kemet                   | Capacitors | www.kemet.com         | 864-963-6300 |
| Taiyo Yuden             | Capacitors | www.t-yuden.com       | 408-573-4150 |
| TDK                     | Capacitors | www.component.tdk.com | 888-835-6646 |
| Rubycon                 | Capacitors | www.rubycon.com       | 408-467-3864 |

## Pin Configurations



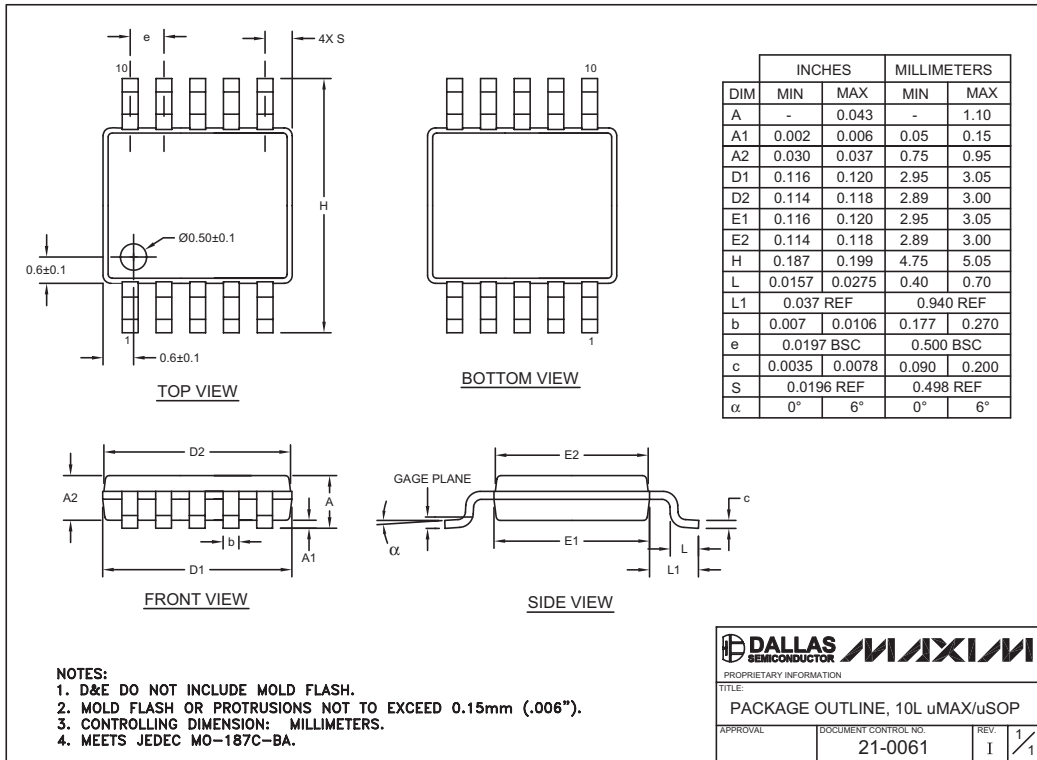
## Chip Information

TRANSISTOR COUNT: 2087  
 PROCESS: BICMOS

# 3V to 28V Input, Low-Cost, Hysteretic Synchronous Step-Down Controllers

## Package Information

(The package drawing(s) in this data sheet may not reflect the most current specifications. For the latest package outline information, go to [www.maxim-ic.com/packages](http://www.maxim-ic.com/packages).)



10LUMAX-EPS

Maxim cannot assume responsibility for use of any circuitry other than circuitry entirely embodied in a Maxim product. No circuit patent licenses are implied. Maxim reserves the right to change the circuitry and specifications without notice at any time.

18 Maxim Integrated Products, 120 San Gabriel Drive, Sunnyvale, CA 94086 408-737-7600