

C0402C0G1C3R3C020BC

TDK Item Description : C0402C0G1C3R3CT****

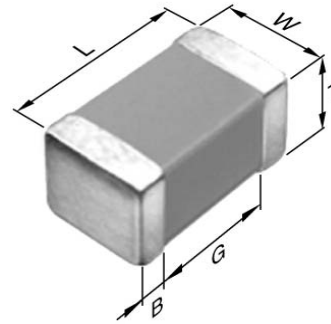


Application & Main Feature

Commercial Grade (General (Up to 50V))

Series

C0402 [EIA CC01005]



Dimensions

L 0.40mm +/-0.02mm
 W 0.20mm +/-0.02mm
 T 0.20mm +/-0.02mm
 B 0.07mm Min.
 G 0.14mm Min.

Temperature Characteristic

C0G (-55 to 125 degC 0+/-30ppm/degC)

Rated Voltage

1C (16Vdc)

Capacitance

3.3pF

Capacitance Tolerance

C (+/-0.25pF)

Q Factor

466 Min.

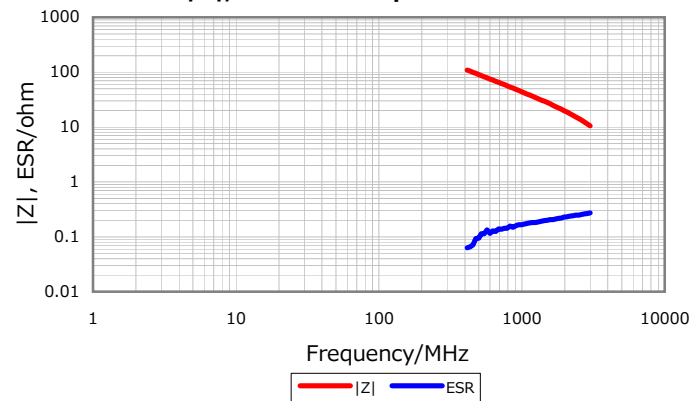
Insulation Resistance

10Gohm Min.

AEC-Q200

Not Applicable

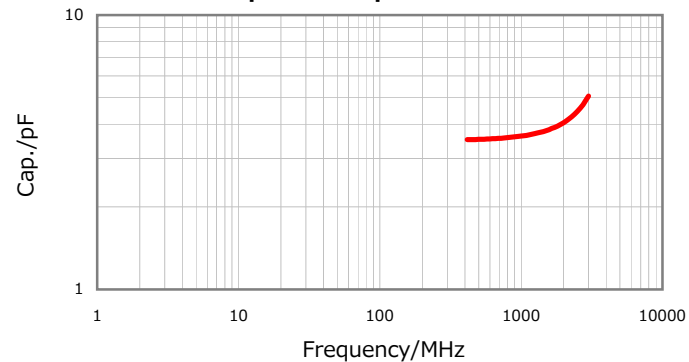
|Z|, ESR vs. Freq. Characteristics



DC Bias Characteristic



Cap. vs. Freq. Characteristic



Temperature Characteristics



Characterization Sheet (Multilayer Ceramic Chip Capacitors)



All specifications are subject to change without notice.

January 2, 2016